



US00D771907S

(12) **United States Design Patent** (10) **Patent No.:** **US D771,907 S**
Ray (45) **Date of Patent:** **** Nov. 22, 2016**

(54) **WETSUIT BOTTOM**
(71) Applicant: **PRANA LIVING, LLC**, Portland, OR (US)
(72) Inventor: **Megan Ray**, Carlsbad, CA (US)
(73) Assignee: **PRANA LIVING, LLC**, Portland, OR (US)

D615,279 S * 5/2010 Savage D2/731
D631,228 S * 1/2011 Winstanley D2/704
D631,229 S * 1/2011 Winstanley D2/704
D638,608 S * 5/2011 Gregory D2/738
D642,768 S * 8/2011 Sawle D2/704
D702,018 S * 4/2014 Ferraro D2/712
D702,918 S * 4/2014 Radford D2/712

(Continued)

(**) Term: **15 Years**

GB 2061924 * 3/1997
GB 2083940 * 8/2008

(21) Appl. No.: **29/548,943**

FOREIGN PATENT DOCUMENTS

(22) Filed: **Dec. 17, 2015**

(51) **LOC (10) Cl.** **02-02**

(52) **U.S. Cl.**
USPC **D2/732**

(58) **Field of Classification Search**
USPC D2/732, 728, 731; 2/67, 40, 2.15, 403,
2/400, 704, 738; 604/402; D5/57
CPC A41D 7/00; A41D 7/005; A41D 13/012;
B63C 11/04; A41B 9/02; A41B 9/001;
A61F 13/4915
See application file for complete search history.

OTHER PUBLICATIONS

Making Waves: Rip Curl Spring/Summer 15—Surfdome,
Announced Apr. 1, 2015 [Site Visited Sep. 9, 2016]https://www.surfdome.com/fashion_blog/rip-curl-spring-summer-15/.*

(Continued)

(56) **References Cited**

U.S. PATENT DOCUMENTS

2,033,456 A * 3/1936 Cunningham A41D 7/00
2/67
2,102,323 A * 12/1937 Kneibler A41D 7/005
2/401
2,749,551 A * 6/1956 Garbellano B63C 11/04
2/2.15
4,179,754 A * 12/1979 Denu A41D 7/00
2/67
D257,546 S * 11/1980 Fletcher D2/732
D339,902 S * 10/1993 Doherty D2/738
5,819,323 A * 10/1998 Edenfield A41B 9/02
2/403
D409,819 S * 5/1999 Gilchrist D2/728
6,526,584 B1 * 3/2003 Hunter A41D 13/012
2/2.15
D480,536 S * 10/2003 Codere D2/738
D586,082 S * 2/2009 Rance D2/731

Primary Examiner — John Windmuller
Assistant Examiner — Luqman McNeil
(74) *Attorney, Agent, or Firm* — Schwabe, Williamson & Wyatt, P.C.

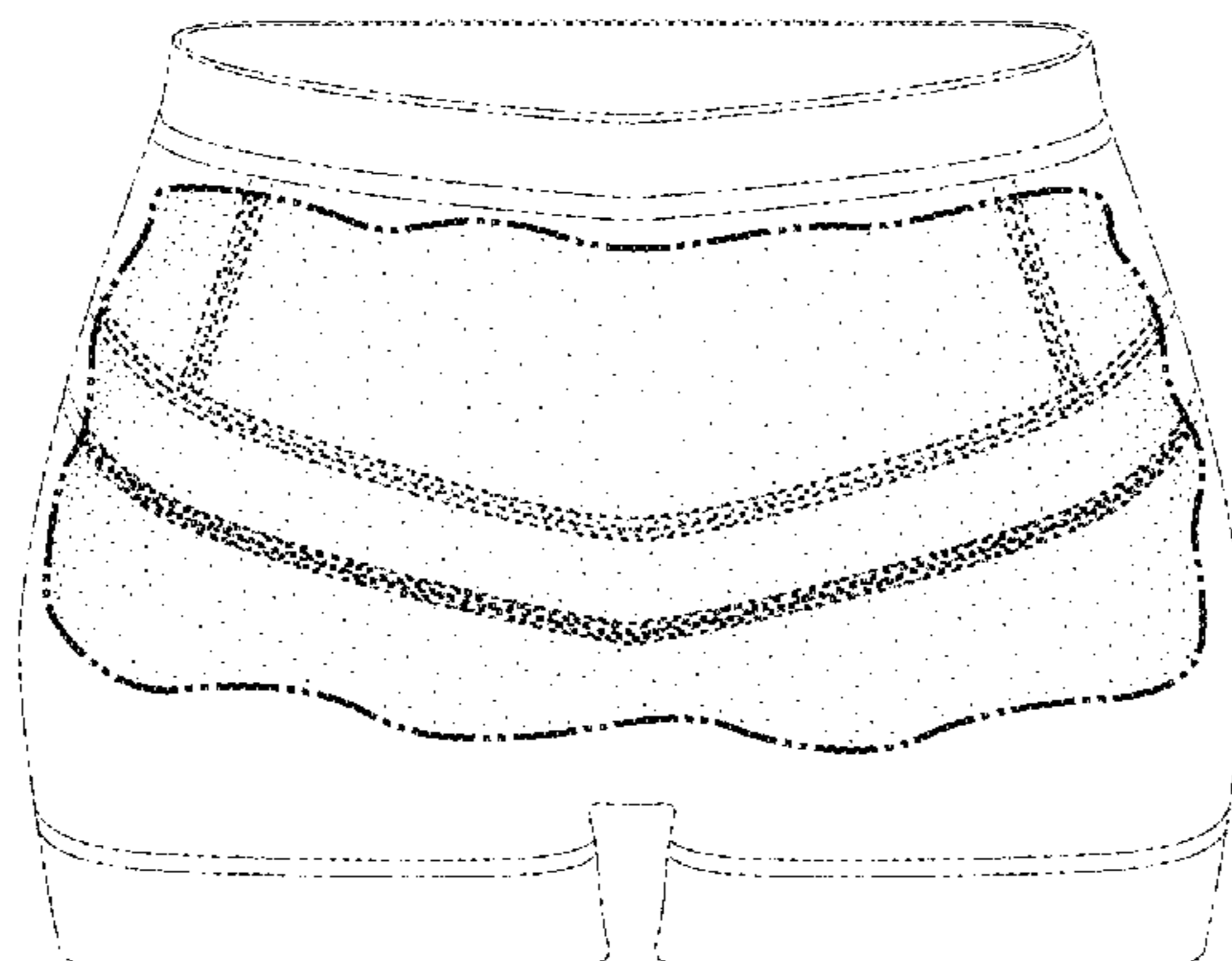
(57) **CLAIM**

I claim the ornamental design for a wetsuit bottom, as shown and described.

DESCRIPTION

FIG. 1 is a left perspective view of a wetsuit bottom, showing my new design;
FIG. 2 is a front view thereof;
FIG. 3 is a left perspective view of a wetsuit bottom; and, FIG. 4 is a front view thereof.
The regular dot-dot-dash lines are included for the purpose of illustrating portions of the wetsuit bottom that form no part of the claimed design. The bold dot-dot-dash lines represent boundaries of the claimed design. The broken lines within the bold dot-dot-dash boundary represents claimed subject matter.

1 Claim, 4 Drawing Sheets



(56)

References Cited

U.S. PATENT DOCUMENTS

D722,742 S * 2/2015 Abrams D2/712
D735,478 S * 8/2015 Tulin D5/57
2005/0261658 A1* 11/2005 Baumchen A61F 13/4915
604/402
2007/0083985 A1* 4/2007 Nathan A41B 9/001
2/400
2009/0038047 A1* 2/2009 Di Lorenzo A41D 7/00
2/67

OTHER PUBLICATIONS

Surf's Up! Minnie Driver Shows Off Her Athletic Figure as She Hits The Waves During A Relaxing Fourth of July Weekend in Malibu, Announced Jul. 4, 2015 [Site Visited Sep. 9, 2016]<http://www.dailymail.co.uk/tvshowbiz/article-3149431/Minnie-Driver-shows-athletic-figure-hits-waves-relaxing-Fourth-July-weekend-Malibu.html>.*

* cited by examiner

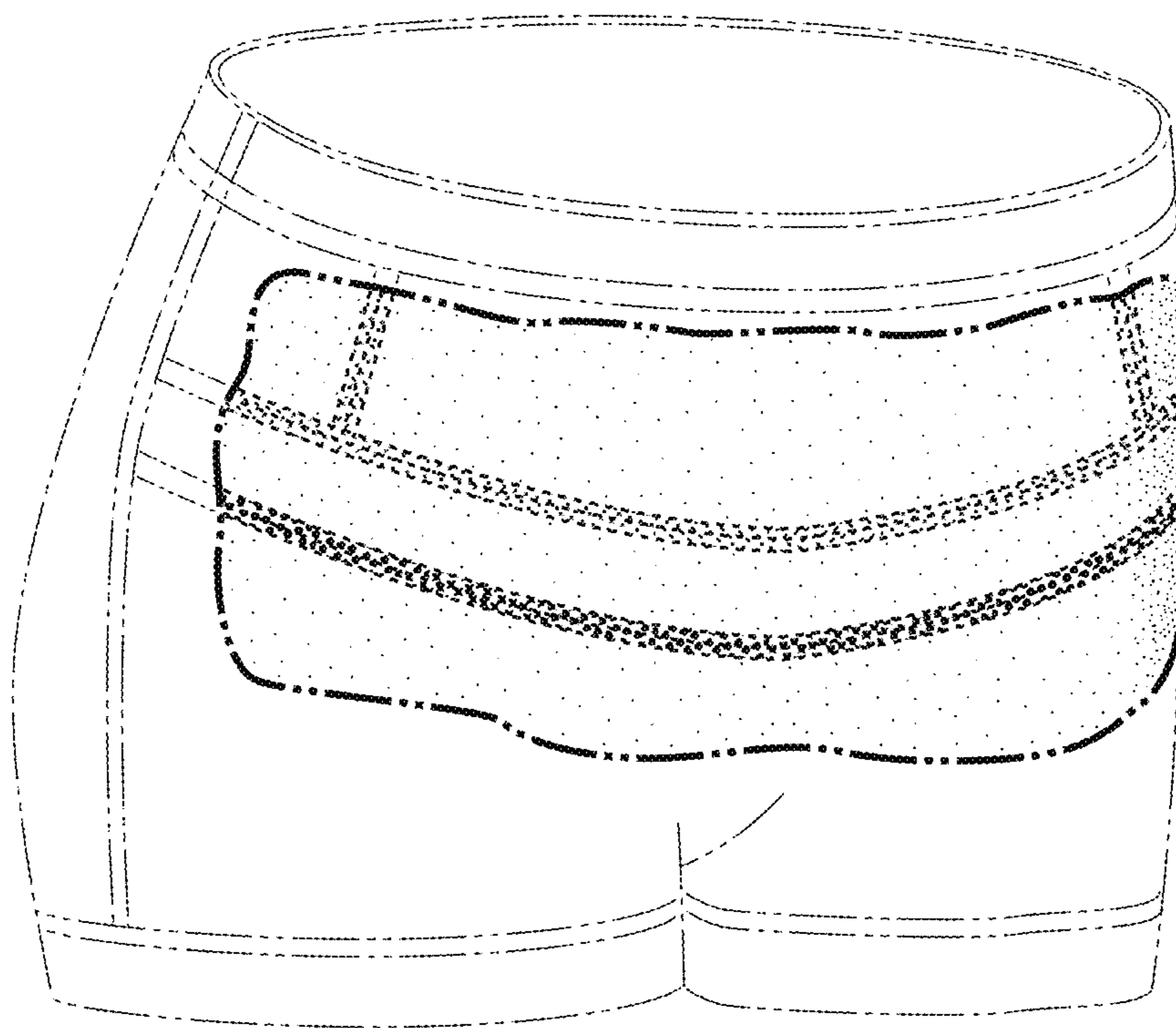


FIG. 1

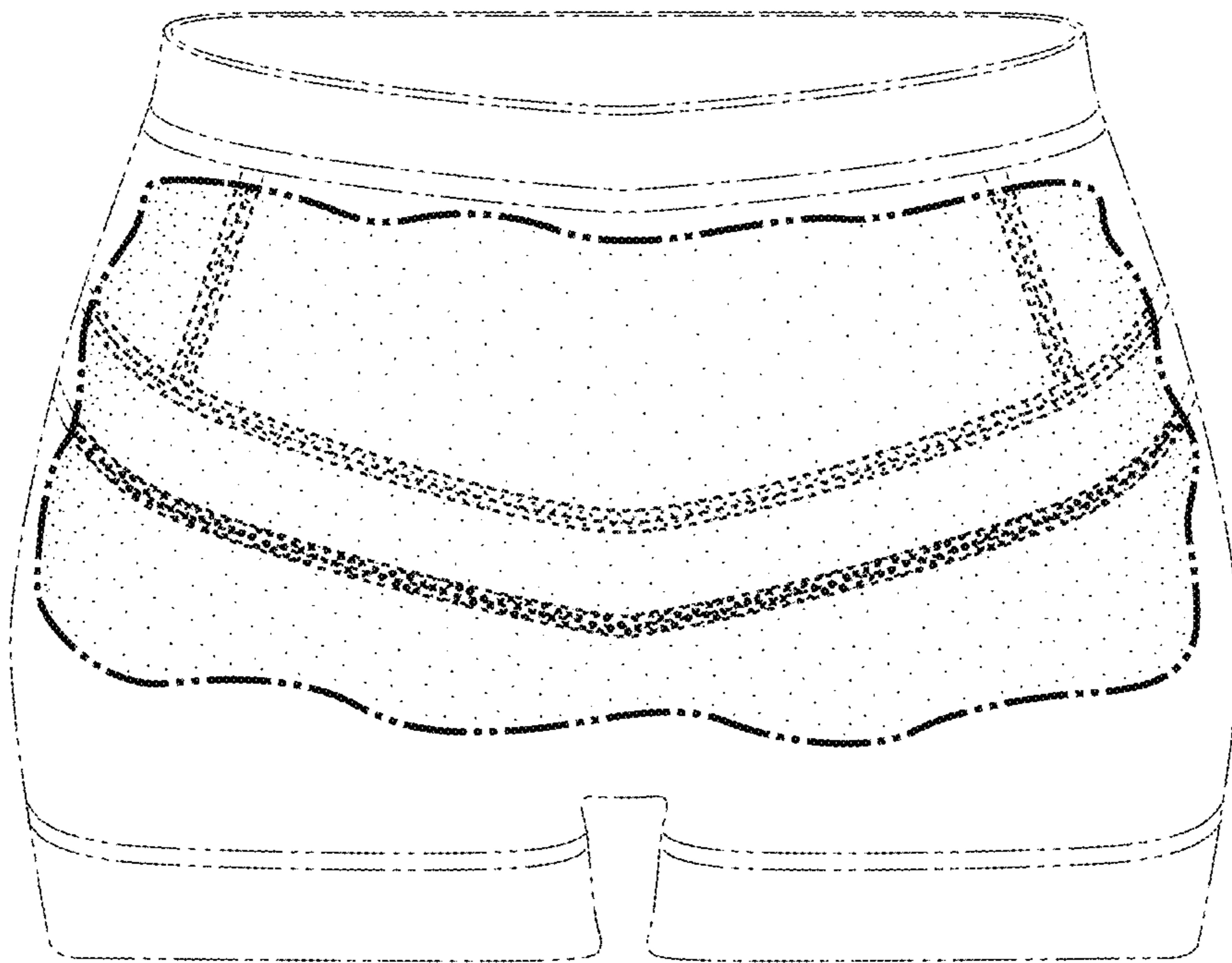


FIG. 2

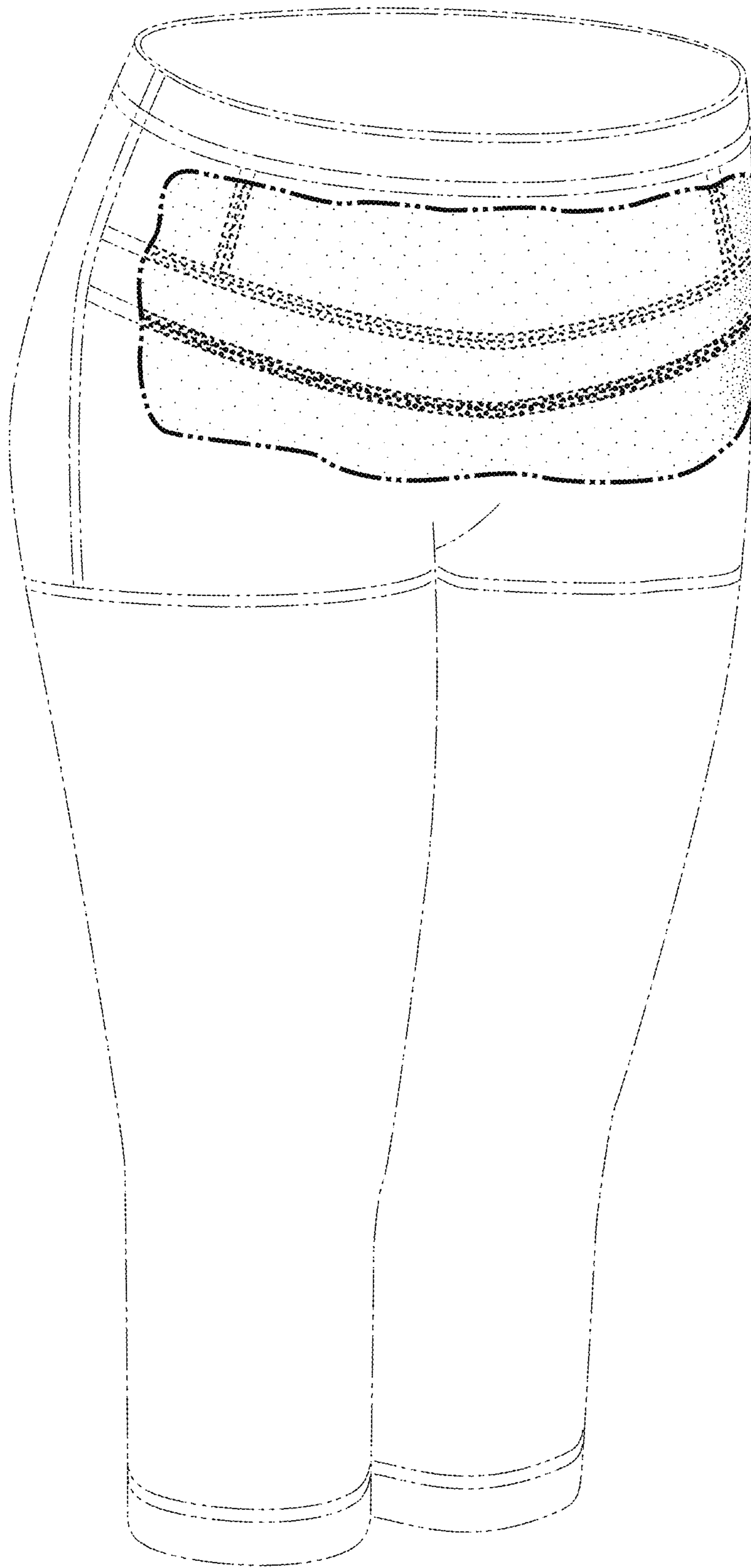


FIG. 3

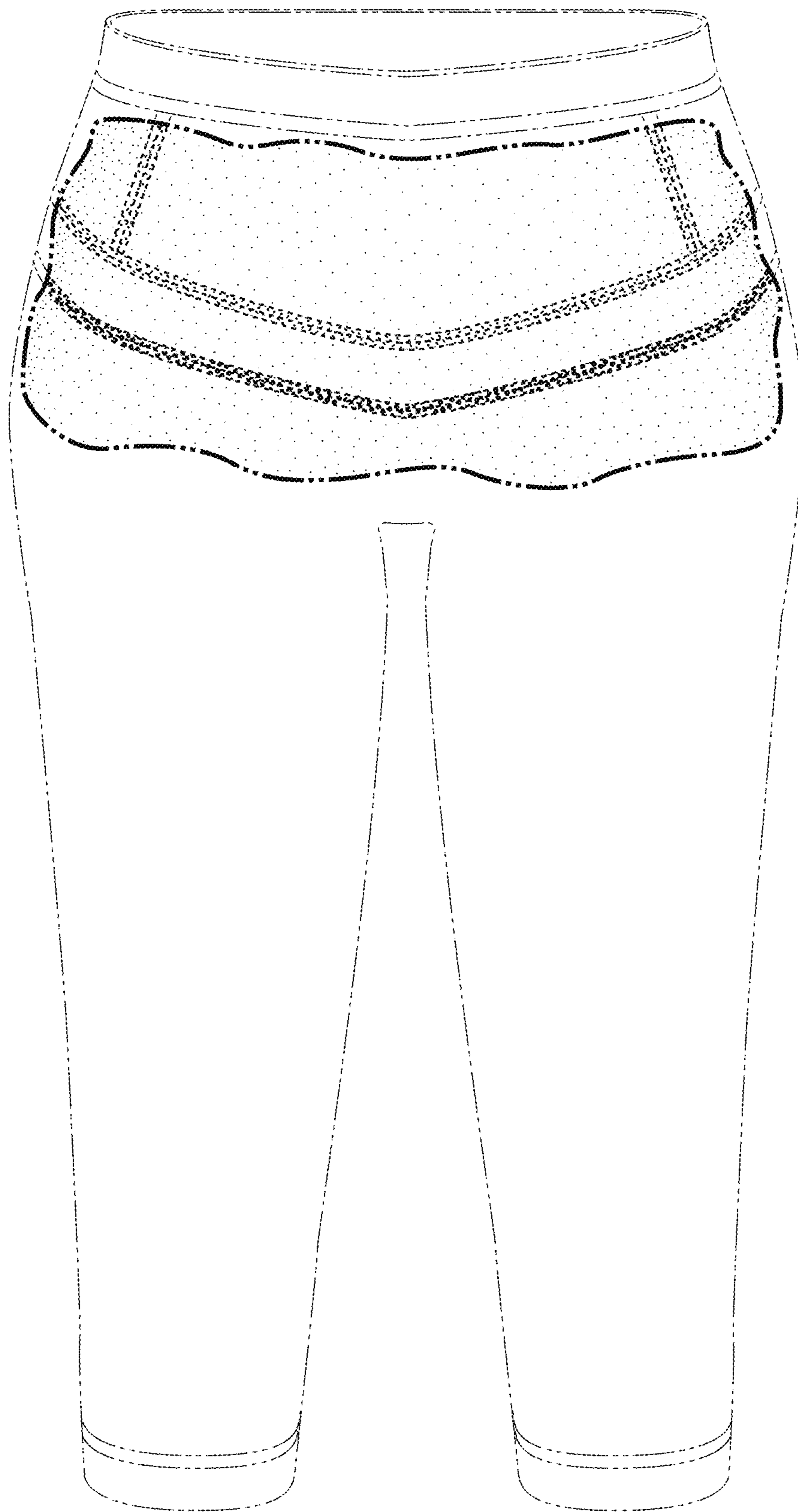


FIG. 4