



US00D771906S

(12) **United States Design Patent**  
**Borovicka**

(10) **Patent No.:** **US D771,906 S**  
(45) **Date of Patent:** **\*\* Nov. 22, 2016**

(54) **GARMENT**

(71) Applicant: **NIKE, Inc.**, Beaverton, OR (US)  
(72) Inventor: **Vanessa L. Borovicka**, Lake Oswego, OR (US)

(73) Assignee: **NIKE, Inc.**, Beaverton, OR (US)

(\*\*) Term: **15 Years**

(21) Appl. No.: **29/541,970**

(22) Filed: **Oct. 9, 2015**

(51) **LOC (10) Cl.** ..... **02-02**

(52) **U.S. Cl.**  
USPC ..... **D2/731**

(58) **Field of Classification Search**  
USPC ..... D2/731, 839, 717, 829, 828; 2/112,  
2/113, 461, 102, 2.5, 69  
CPC .... A41B 13/08; A41B 9/06; A41D 13/0156;  
A41D 27/10; A41D 1/04; A41D 13/05;  
A41D 13/00; A41D 13/015; A41D 13/0153;  
F41H 5/0428

See application file for complete search history.

(56) **References Cited**

**U.S. PATENT DOCUMENTS**

339,920 A	4/1886	Patjlme	
1,288,408 A *	12/1918	Hait et al. ....	A41B 13/08 2/112
1,657,866 A	1/1928	Mooney	
D113,203 S	1/1939	Feigenbaum	
D113,204 S	1/1939	Zucker et al.	
D115,592 S	7/1939	Shapiro et al.	
D118,524 S	1/1940	Zelinka	
D139,535 S	11/1944	Bauer	
D157,696 S	3/1950	Paque	
2,669,721 A	2/1954	Koch Max	
2,707,284 A *	5/1955	Artzt .....	A41B 9/06 2/113
D194,967 S *	4/1963	Bauer .....	D2/839
3,116,489 A	1/1964	Weiss	
3,125,762 A *	3/1964	Glahe .....	A41D 13/0156 2/461

(Continued)

**FOREIGN PATENT DOCUMENTS**

GB 000796879 A 6/1958  
JP D1453011 \* 10/2012

(Continued)

**OTHER PUBLICATIONS**

Nike Tech Fleece Areoloft Windunner—Bless This Stuff, Announced Oct. 29, 2014 [ Site Visited Jul. 1, 2016 ] <http://www.blessthisstuff.com/stuff/wear/coats-jackets/nike-tech-fleece-aeroloft-windrunner/>.\*

(Continued)

*Primary Examiner* — John Windmuller

*Assistant Examiner* — Luqman McNeil

(74) *Attorney, Agent, or Firm* — Banner & Witcoff, Ltd.

(57) **CLAIM**

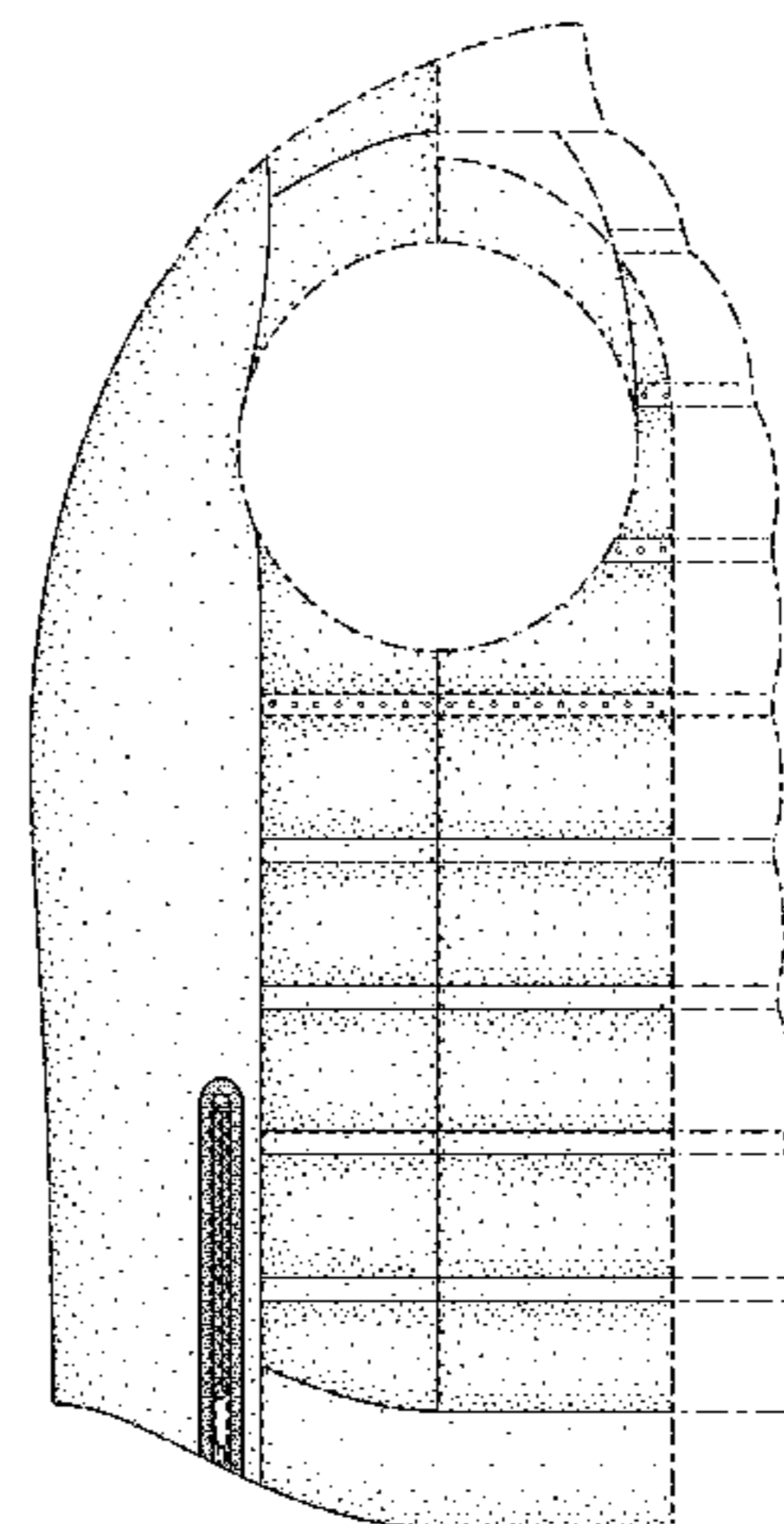
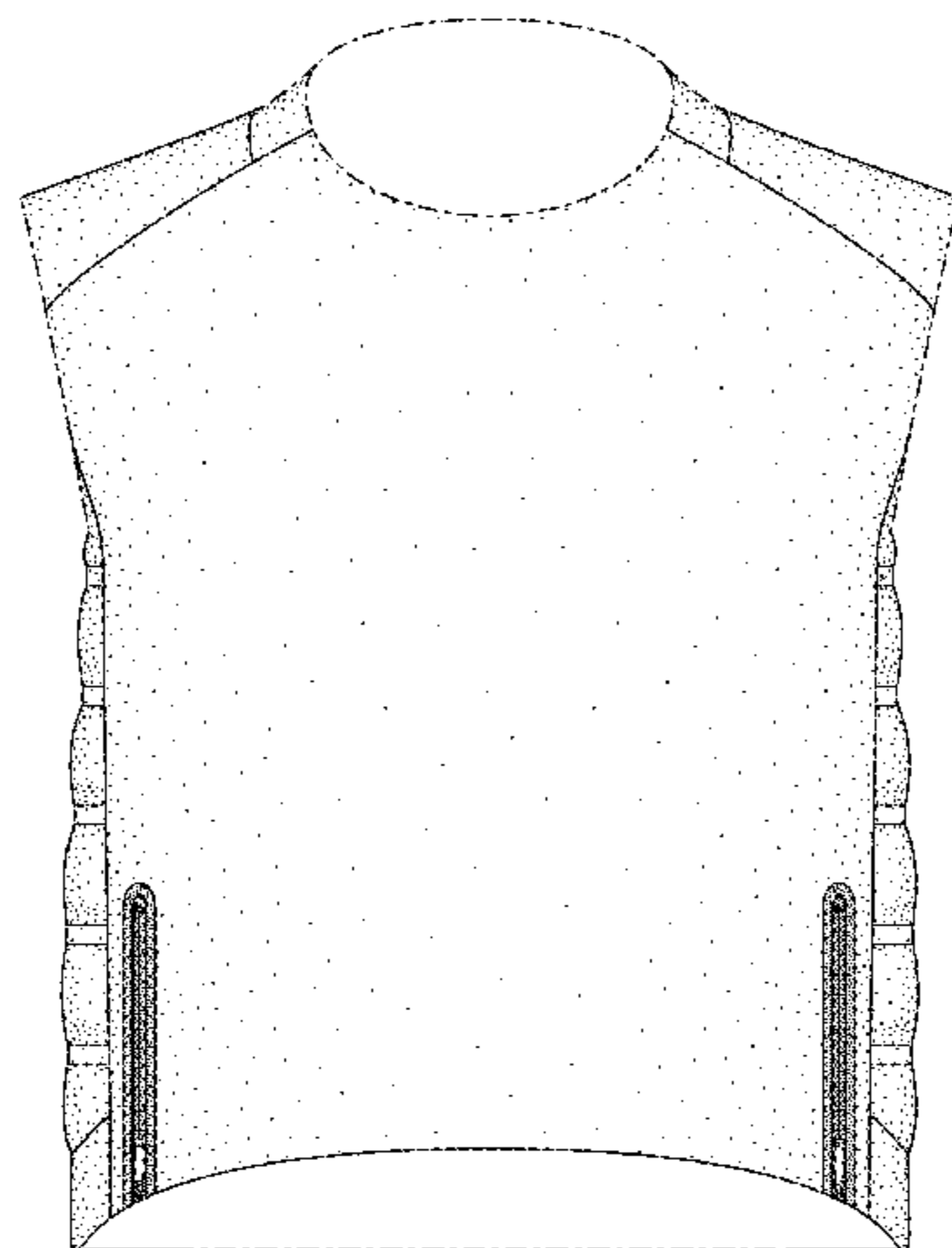
The ornamental design for a garment, as shown and described.

**DESCRIPTION**

FIG. 1 is a front perspective view of a garment showing my new design in an in-use configuration; FIG. 2 is a front view thereof; FIG. 3 is a rear view thereof; FIG. 4 is a side view thereof; FIG. 5 is a second side view thereof; FIG. 6 is a top view thereof; and, FIG. 7 is a bottom view thereof.

The broken lines immediately adjacent to the shaded area represent unclaimed boundaries of the design. The unshaded regions, demarcated by broken lines, represent unclaimed portions of the garment and form no part of the claimed design. The broken lines showing the remainder of the garment are for environmental purposes only and form no part of the claimed design. The contrast shading represents a contrast in appearance only and does not represent any particular color, material, texture or finish.

**1 Claim, 7 Drawing Sheets**



(56)

References Cited

U.S. PATENT DOCUMENTS

3,398,406 A 8/1968 Du Pont  
 3,883,914 A 5/1975 Blair  
 3,988,780 A 11/1976 Armellino  
 4,084,264 A 4/1978 Marion  
 4,149,272 A 4/1979 Maeshima  
 D255,056 S \* 5/1980 Parsons ..... D2/717  
 4,302,850 A \* 12/1981 Maeshima ..... A41D 27/10  
 2/102  
 4,483,020 A \* 11/1984 Dunn ..... F41H 5/0428  
 2/2.5  
 4,602,387 A 7/1986 Zakrzewski  
 4,619,622 A 10/1986 McDonald et al.  
 D298,474 S 11/1988 Twede  
 4,912,780 A \* 4/1990 Falack ..... A41D 1/04  
 2/102  
 5,101,511 A \* 4/1992 Elverskog ..... A41D 13/05  
 2/102  
 D332,514 S \* 1/1993 Brandoff ..... D2/829  
 5,206,957 A \* 5/1993 Gulick ..... A41D 13/00  
 2/102  
 D356,883 S \* 4/1995 Ganahl ..... D2/828  
 5,465,424 A 11/1995 Cudney et al.  
 D367,551 S 3/1996 Chalbeck et al.  
 D374,329 S 10/1996 Wilde  
 D385,088 S 10/1997 Handysides  
 D414,913 S \* 10/1999 Katz ..... D2/829  
 D439,727 S \* 4/2001 Hosogai ..... D2/828  
 6,408,440 B1 \* 6/2002 Phillips ..... A41D 13/015  
 2/102  
 D478,708 S 8/2003 Miros et al.  
 D479,902 S 9/2003 Brown  
 6,654,963 B2 12/2003 Fayle et al.  
 6,738,984 B2 \* 5/2004 Gillen ..... A41D 13/0153  
 2/2.5  
 D516,777 S 3/2006 Beck  
 D541,010 S 4/2007 Boucher  
 D580,630 S \* 11/2008 Adams ..... D2/829  
 D580,632 S 11/2008 Adams et al.  
 D588,783 S 3/2009 Olstom  
 D618,440 S 6/2010 Parker  
 D620,231 S 7/2010 Parker  
 D621,132 S 8/2010 Crisp  
 D622,032 S 8/2010 Lambertz  
 D622,033 S 8/2010 Lambertz  
 D622,034 S 8/2010 Lambertz  
 D622,035 S 8/2010 Lambertz  
 D625,078 S 10/2010 Scott-Curran  
 D626,725 S \* 11/2010 Snyder ..... D2/830  
 D628,771 S \* 12/2010 Kanada ..... D2/717  
 D631,230 S 1/2011 Ruffini  
 D633,690 S 3/2011 Tronvold  
 D633,691 S 3/2011 Tronvold  
 D636,973 S 5/2011 Smith et al.  
 D637,794 S 5/2011 Gosse  
 D638,200 S 5/2011 Gorson  
 D638,201 S 5/2011 Gosse  
 D638,202 S 5/2011 Gosse  
 D639,023 S 6/2011 Iamartino et al.  
 D641,137 S 7/2011 Evans et al.  
 D642,770 S 8/2011 Bengyak  
 D643,577 S 8/2011 Bulan et al.  
 D653,430 S \* 2/2012 Pouches ..... D2/829  
 D654,659 S 2/2012 Scott-Curran  
 D654,664 S 2/2012 Evans et al.  
 D656,301 S 3/2012 Randall  
 D662,282 S 6/2012 Meunier-Bouchard  
 D662,285 S 6/2012 Rushworth  
 D675,400 S \* 2/2013 Mertes ..... D2/839  
 D677,861 S \* 3/2013 Perry ..... D2/829  
 D679,072 S 4/2013 Abbevik et al.  
 D685,158 S 7/2013 Lambertz  
 D685,159 S 7/2013 Lambertz  
 D685,160 S 7/2013 Savage  
 D687,619 S 8/2013 Savage  
 D689,262 S 9/2013 Passman

D689,263 S 9/2013 Passman  
 D693,095 S 11/2013 Grant  
 D695,491 S 12/2013 Hawkins et al.  
 D698,123 S 1/2014 Yu et al.  
 D698,525 S 2/2014 Roberts et al.  
 D698,526 S 2/2014 Roberts et al.  
 D698,528 S \* 2/2014 Roberts ..... D2/839  
 D702,419 S 4/2014 Mertes  
 D702,920 S 4/2014 Chaney  
 D703,416 S \* 4/2014 Roberts ..... D2/839  
 D703,922 S 5/2014 Roberts et al.  
 D704,418 S \* 5/2014 Holmes ..... D2/839  
 D704,419 S 5/2014 Holmes  
 D704,924 S 5/2014 Roberts et al.  
 D707,423 S \* 6/2014 Pezzimenti ..... D2/829  
 D707,424 S \* 6/2014 Pezzimenti ..... D2/829  
 D710,573 S 8/2014 Pezzimenti  
 D713,128 S 9/2014 Pezzimenti et al.  
 D713,620 S 9/2014 Pezzimenti et al.  
 D713,621 S 9/2014 Pezzimenti et al.  
 D714,022 S 9/2014 Mong et al.  
 D714,526 S 10/2014 Ingram  
 D714,527 S 10/2014 Borovicka  
 D716,022 S 10/2014 Judge et al.  
 D719,722 S 12/2014 Bublak  
 D734,922 S \* 7/2015 Docker ..... D2/829  
 D736,497 S 8/2015 Harris  
 D746,548 S 1/2016 Ingram  
 D746,551 S 1/2016 Ingram  
 2004/0153012 A1 8/2004 Schroeder  
 2008/0005823 A1 \* 1/2008 Hung ..... A41D 31/00  
 2/69  
 2013/0276201 A1 10/2013 Pezzimenti

FOREIGN PATENT DOCUMENTS

RU 00075639 \* 8/2010  
 WO 0011979 A1 3/2000

OTHER PUBLICATIONS

Cardigans & Couture: Say it With Me, Announced Feb. 10, 2014 [ Site Visited Jul. 1, 2016 ] <http://cardigansandcouture.blogspot.com/2014/02/say-it-with-me.html>.\*

Nike AeroLoft 800 Metallic Women's Running Vest—So That's Cool, Announced Nov. 24, 2013 [ Site Visited Jul. 1, 2016 ] <http://www.sothatscool.com/2013/11/nike-aeroloft-800-metallic-womens-running-vest.php>.\*

4. Nike Shield Winter Vest—7 Great Gifts for Runners, Announced Apr. 30, 2013 [ Site Visited Jul. 1, 2016 ] <http://health.allwomenstalk.com/great-gifts-for-runners/4>.\*

Nike Apparel Catalog, 2010 Fall ACG, p. 15, published date unknown, but prior to the filing date of the present application, NIKE, Inc., USA.

Nike Apparel Catalog, 2010 Fall ACG, p. 16, published date unknown, but prior to the filing date of the present application, NIKE, Inc., USA.

Nike Apparel Catalog, 2010 Fall Apparel, p. 17, published 2010, NIKE, Inc., USA.

Nike Apparel Catalog, 2010 Fall Apparel, p. 20, published date unknown, but prior to the filing date of the present application, NIKE, Inc., USA.

Nike Apparel Catalog, 2010 Holiday Women's Athletic Department Classics, p. 9, published 2010, NIKE, Inc., USA.

Nike Apparel Catalog, 2010 Holiday Young Athletes, p. 47, published date unknown, but prior to the filing date of the present application, NIKE, Inc., USA.

Nike Apparel Catalog, 2010 Holiday Young Athletes, p. 62, published date unknown, but prior to the filing date of the present application, NIKE, Inc., USA.

Nike Apparel Catalog, 2011 Fall Boys' Apparel, p. 22, published 2011, NIKE, Inc., USA.

Nike Apparel Catalog, 2011 Fall Girls' Apparel, p. 8, published 2011, NIKE, Inc., USA.

(56)

**References Cited**

OTHER PUBLICATIONS

Nike Apparel Catalog, 2011 Fall Men's Athletic Department Classics, p. 57, published 2011, NIKE, Inc., USA.

Nike Apparel Catalog, 2011 Holiday Boys, p. 25, published date unknown, but prior to the filing date of the present application, NIKE, Inc., USA.

Nike Apparel Catalog, 2011 Holiday Girls, p. 12, published date unknown, but prior to the filing date of the present application, NIKE, Inc., USA.

Nike Apparel Catalog, 2011 Holiday Men's Athletic Dept Classic, p. 1, published date unknown, but prior to the filing date of the present application, NIKE, Inc., USA.

Nike Apparel Catalog, 2011 Holiday Women's Performance, p. 51, published date unknown, but prior to the filing date of the present application, NIKE, Inc., USA.

London Cyclist, "Waterproof cycling jacket guide," <http://www.londoncyclist.co.uk/waterproof-cycling-jacket/>, retrieved from Internet Jan. 22, 2016, published Oct. 21, 2010, pp. 3-4.

Bike Lights Review, "Altura Night Vision Evo Jacket Review," <http://www.bikelightsreview.com/jackets/altura-nightvision-evo/>, retrieved from Internet Jan. 22, 2016, published Sep. 11, 2011, p. 2.

The Greatcaster, "Columbia Sportswear TurboDown Insulation," <http://www.thegearcaster.com/2013/11/columbia-sportswear-turbodown-insulation.html>, retrieved from Internet Jan. 22, 2016, published Nov. 13, 2013, p. 2.

Blurgh the Thinkgeek Blog, "Top Ten List: Top 10 Fictional Uniforms We Want to Wear to Work," <http://www.thinkgeek.com/blog/2015/03/tldr-top-ten-list-top-10-ficti-2.html>, retrieved from internet Jan. 22, 2016, published date unknown, but prior to the filing date of the present application, pp. 1-4.

Nike Apparel Catalog, 2010 Fall ACG, p. 4, published date unknown, but prior to the filed of the present application, NIKE, Inc., USA.

\* cited by examiner

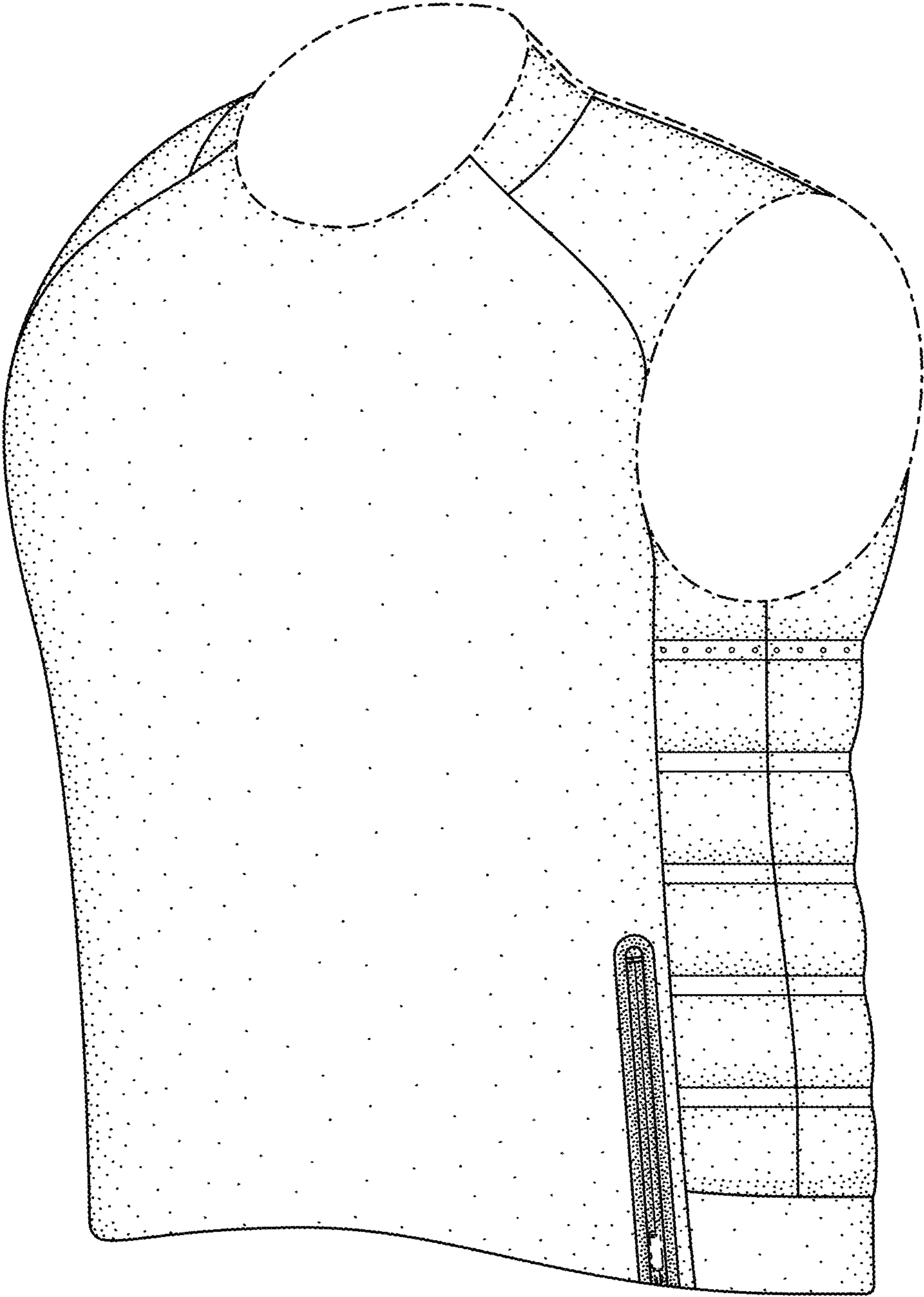


FIG. 1

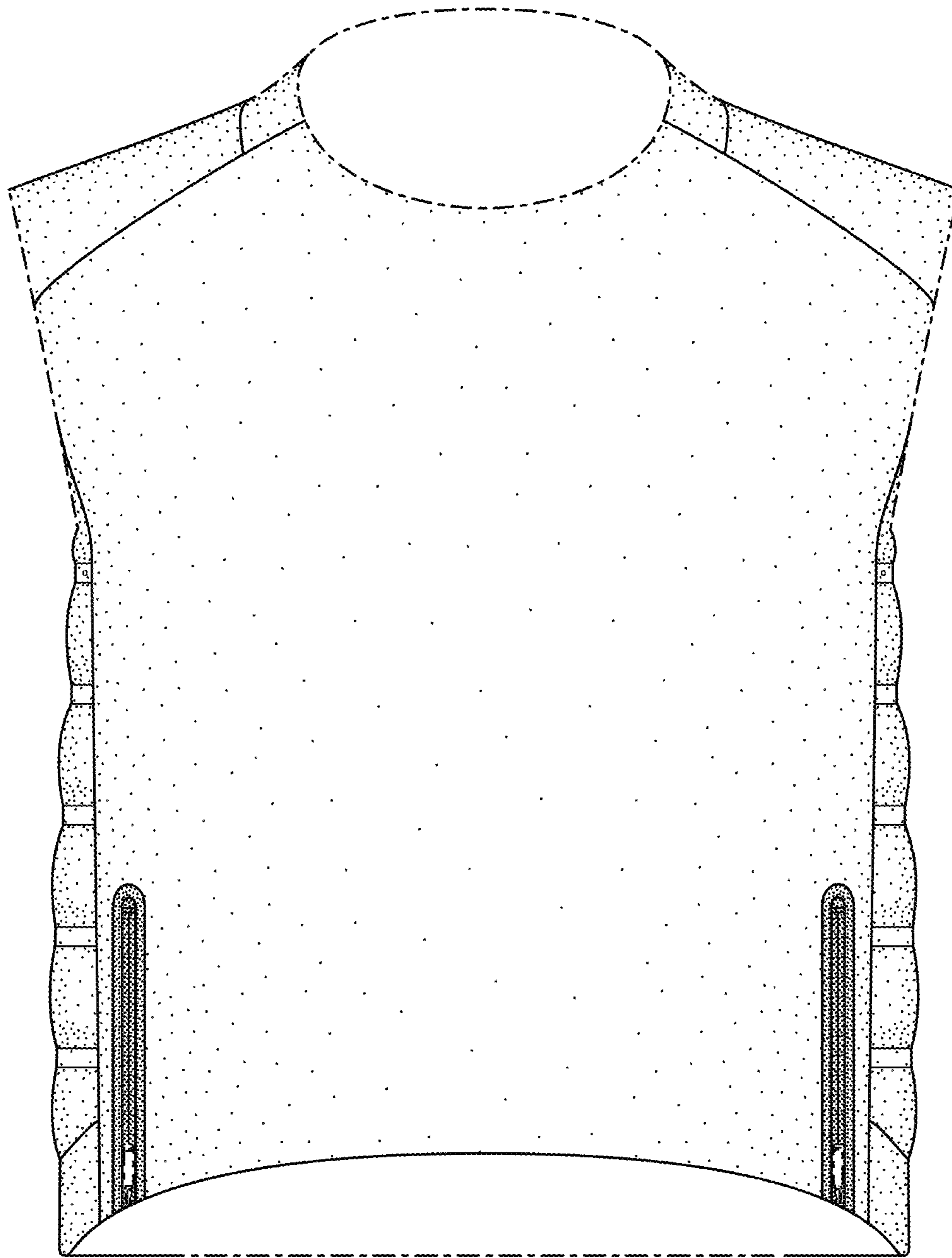


FIG. 2

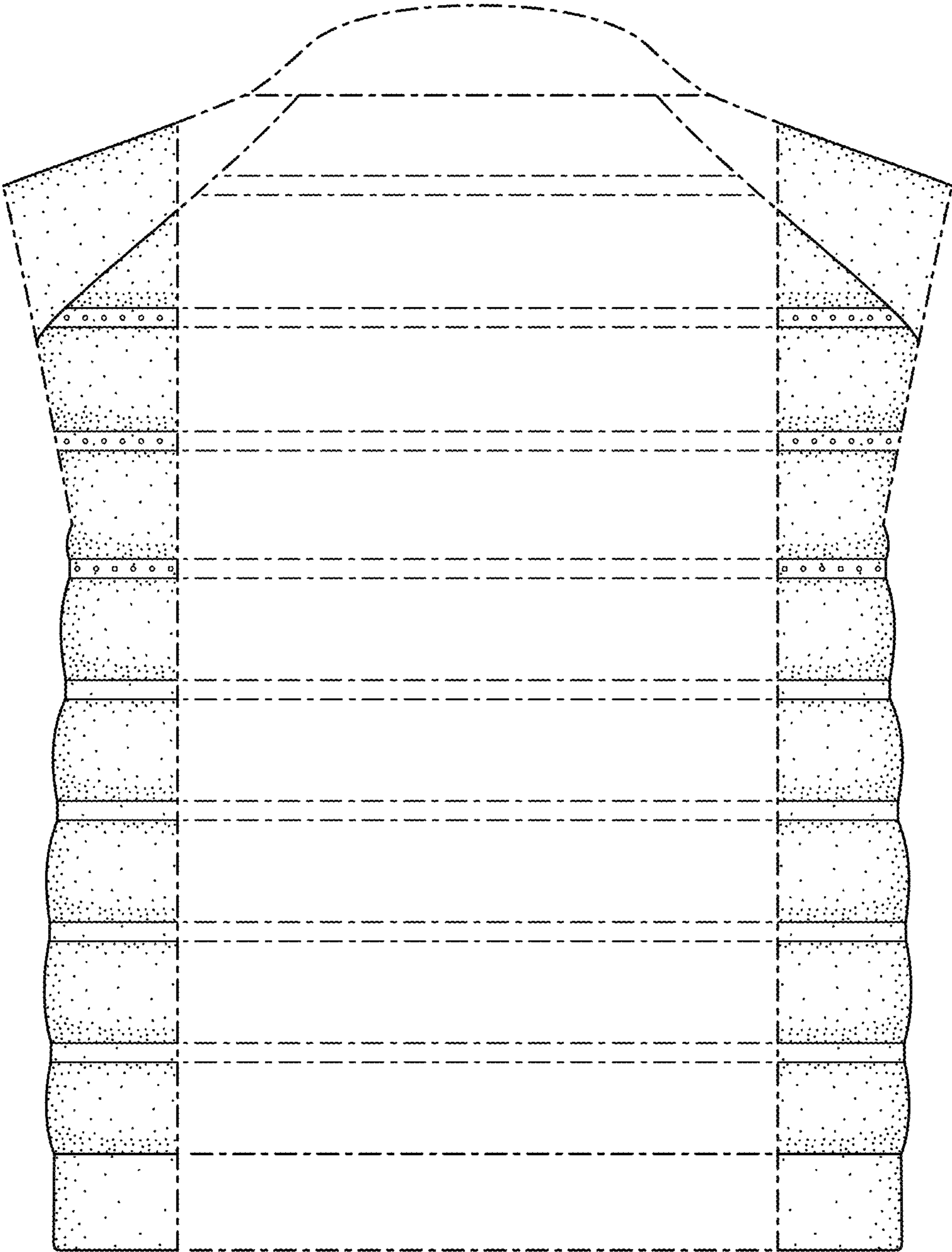


FIG. 3

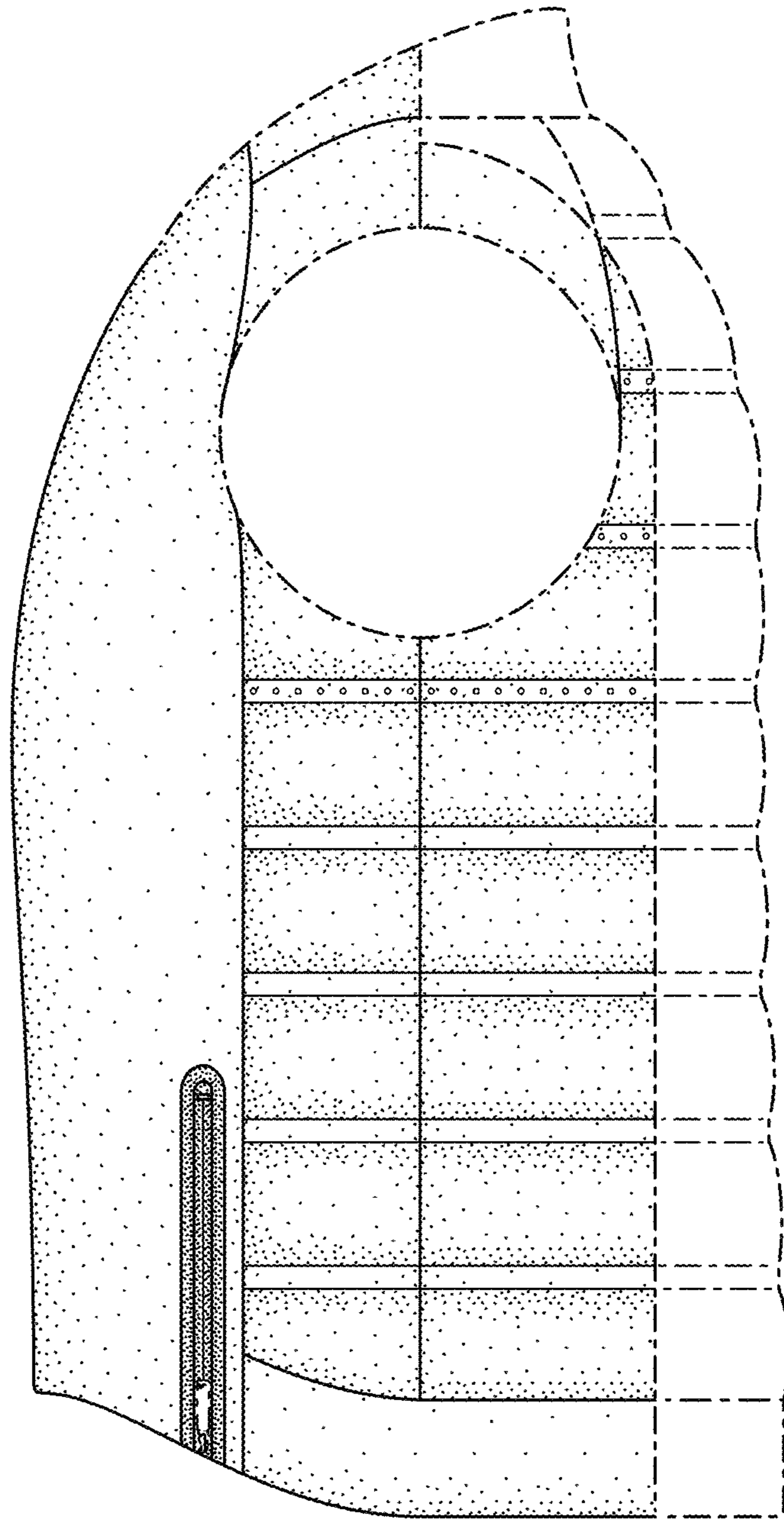


FIG.4

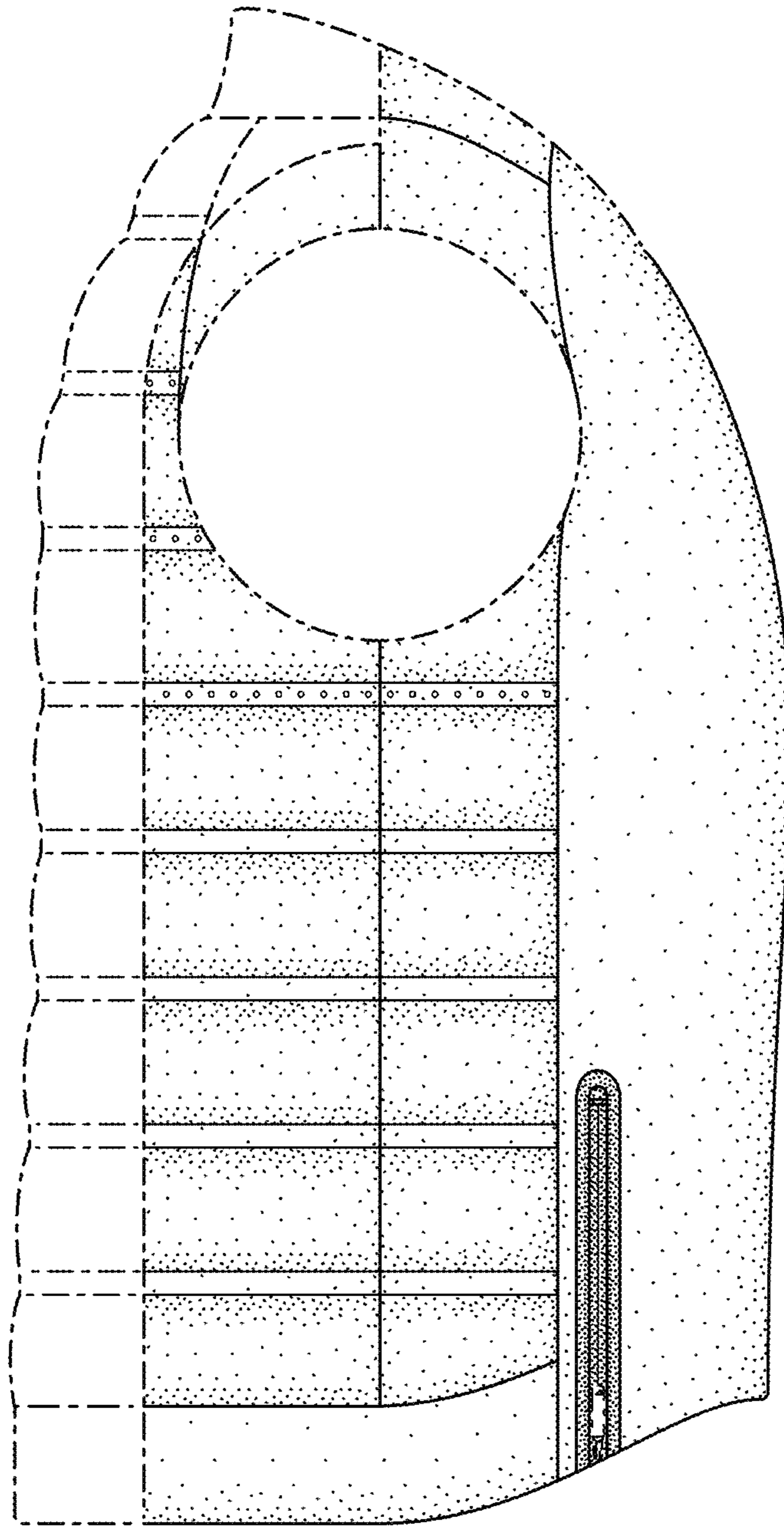


FIG. 5



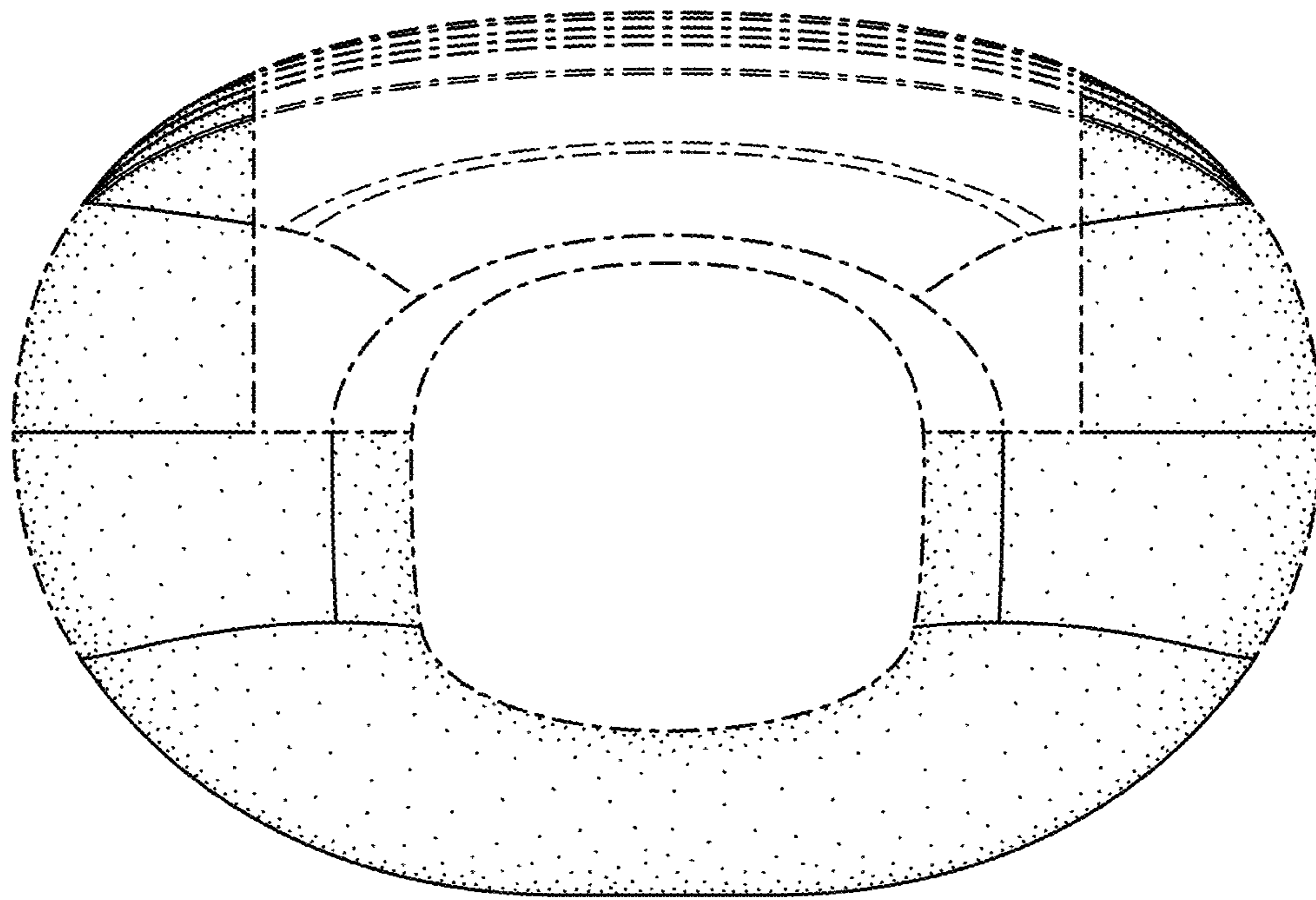


FIG. 6

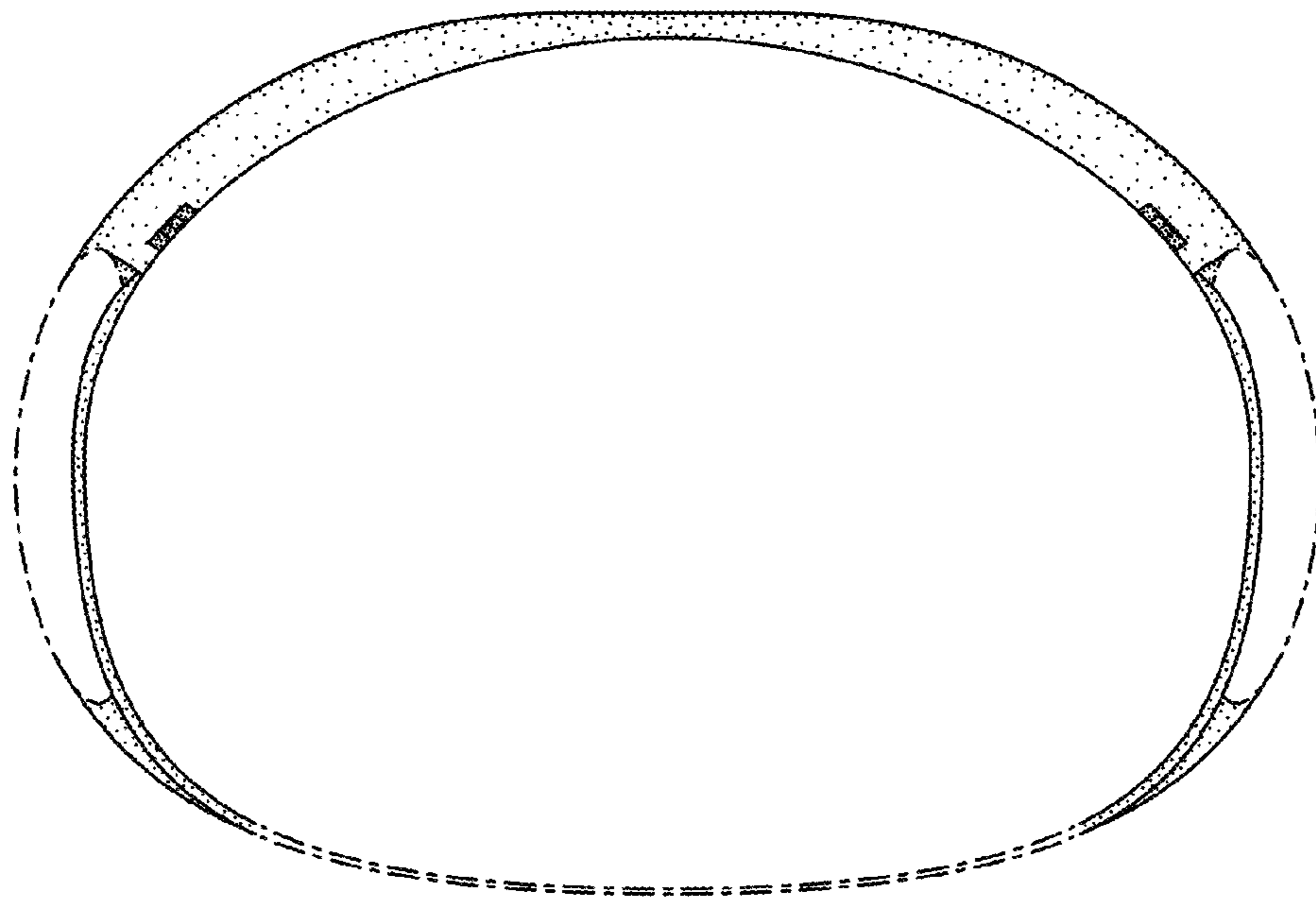


FIG. 7