



US00D771901S

(12) **United States Design Patent** (10) **Patent No.:** **US D771,901 S**
Nacion (45) **Date of Patent:** **** Nov. 22, 2016**

(54) **GLOVE BACK**
(71) Applicant: **Ironclad Performance Wear Corporation**, Farmers Branch, TX (US)
(72) Inventor: **Markham Nacion**, San Marcos, CA (US)
(73) Assignee: **Ironclad Performance Wear Corp.**, Farmers Branch, TX (US)

D532,957 S 12/2006 Hunter et al.
D618,882 S * 7/2010 Jaeger D2/623
D647,666 S * 10/2011 Glenn D29/117.2
D704,380 S 5/2014 Kindler et al.
D733,975 S 7/2015 Mathota
D752,296 S * 3/2016 Urbelis D2/619
2008/0307559 A1* 12/2008 Wright A63B 71/141
2/161.1
2012/0159691 A1 6/2012 Phillippe et al.
2015/0047096 A1* 2/2015 Smith A41D 19/0024
2/160
2016/0113064 A1* 4/2016 Gluckman A41D 19/0024
219/211

(**) Term: **15 Years**

(21) Appl. No.: **29/540,612**
(22) Filed: **Sep. 25, 2015**
(51) **LOC (10) Cl.** **02-06**
(52) **U.S. Cl.**
USPC **D2/619; D29/117.1**
(58) **Field of Classification Search**
USPC D2/610, 612, 613, 614, 615, 616, 617,
D2/618, 619, 620, 621, 622, 623;
D21/807; D24/211; D28/63; D29/113,
D29/114, 115, 116, 116.2, 117.1, 117.2,
D29/123; D30/158; 2/159, 160, 161.1,
2/161.6, 163
CPC A41D 19/00; A41D 19/002; A41D
19/0003; A41D 19/0006; A41D 19/0013;
A41D 19/0017; A41D 19/0024; A41D
193/08; A63B 7/141; A63B 7/143; A63B
7/148
See application file for complete search history.

FOREIGN PATENT DOCUMENTS

CA 2632761 A1 11/2009
EM 003039031-0005 A1 * 4/2016

(Continued)

OTHER PUBLICATIONS

Industrial Impact Vibran Gloves, ND, [online], [site visited Sep. 12, 2016]. Retrieved from <url: <http://ironclad.com/vibram-gloves/>>.*
Slow moving vehicle sign vector illustration, Nov. 13, 2014, [online], [site visited Aug. 30, 2016]. Retrieved from <url: <http://publicdomainvectors.org/en/freeclipart/Slowmovingvehiclesignvectorillustration/17296.html>>.*
Reflective Traffic Gloves With Stop Sign, <http://www.emergencyresponderproducts.com/24retrgl.html>.

(Continued)

Primary Examiner — Jeffrey D Asch
Assistant Examiner — Tracey J Bell
(74) *Attorney, Agent, or Firm* — Amster, Rothstein & Ebenstein LLP

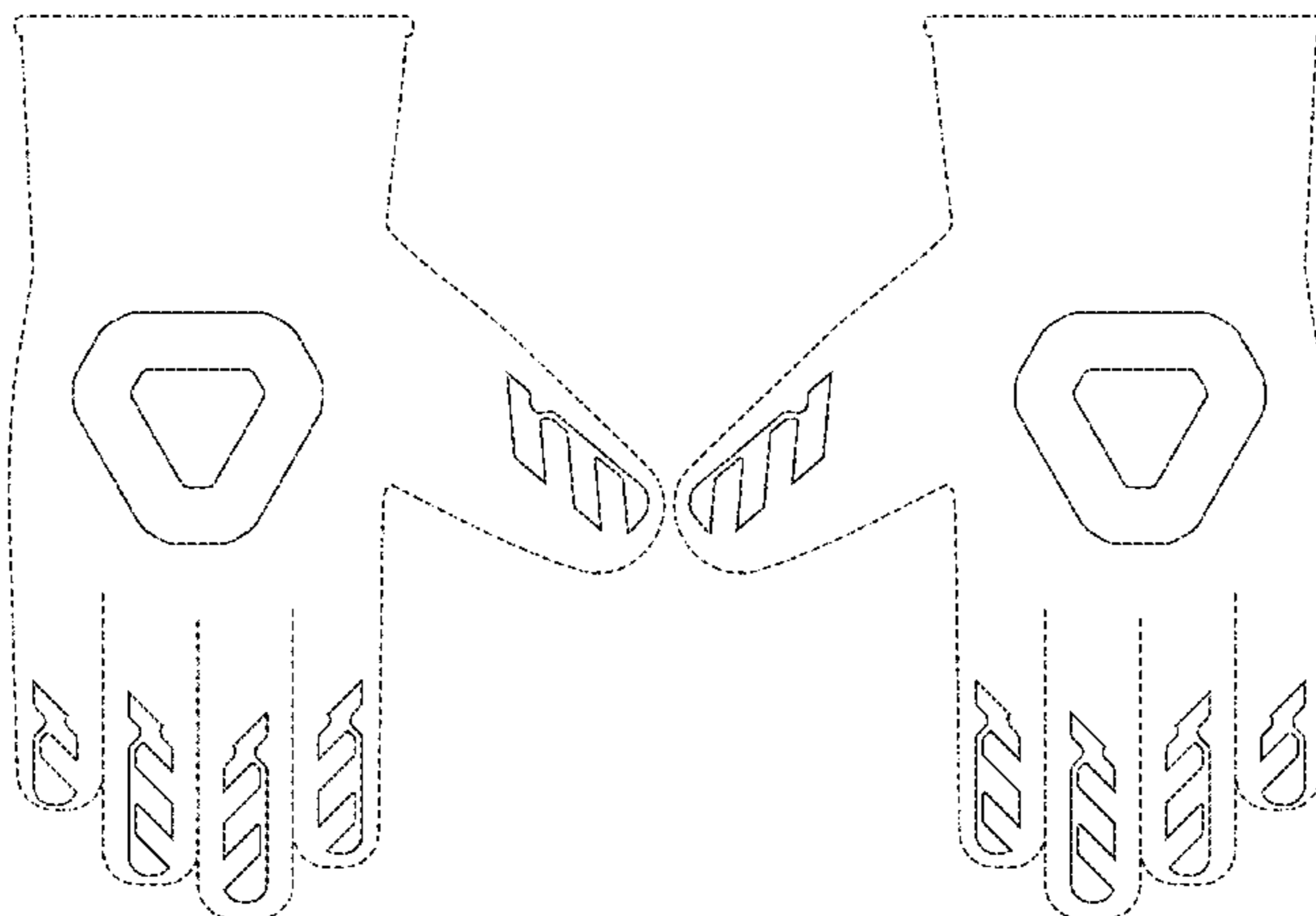
(57) **CLAIM**
The ornamental design for a glove back, as shown and described.

DESCRIPTION

The FIGURE is a top view of a glove back showing my new design.
The portion(s) of the glove back shown in broken lines, which includes separate finger portions, are for environmental purposes only and do not form part of the claimed design.

1 Claim, 1 Drawing Sheet

(56) **References Cited**
U.S. PATENT DOCUMENTS
1,630,730 A 5/1927 Daugherty
5,261,666 A * 11/1993 Chen A63F 11/0011
273/143 A
D369,309 S 4/1996 Marbach
5,898,942 A 5/1999 Anderson
6,006,357 A 12/1999 Mead
D421,806 S * 3/2000 Graf D25/113
6,976,274 B1 12/2005 Dufresne
7,100,212 B2 9/2006 Jaeger



(56)

References Cited

FOREIGN PATENT DOCUMENTS

EP	2014185	A1	1/2009
EP	2591688	A1	5/2015
WO	2007068981	A2	6/2007
WO	2015006835	A1	1/2015

OTHER PUBLICATIONS

Reflective Gloves, <http://www.atlantictactical.com/product/hatch-daynite-reflective-gloves#,Vd9j5hRVikp>.

Hi-Vis Lined Grain Pigskin Industrial With Knit Wrist, <http://www.kinco.com/product11938kwa/>.

* cited by examiner

