



US00D771898S

(12) **United States Design Patent** (10) **Patent No.:** **US D771,898 S**
Albuja et al. (45) **Date of Patent:** **** Nov. 22, 2016**

- (54) **PET TREAT**
- (71) Applicant: **Société des Produits Nestlé S.A.,**
Vevey (CH)
- (72) Inventors: **Mario Albuja**, Eureka, MO (US);
Michael E. Leiweke, Hillsboro, MO
(US); **Yannick Mahe**, Amiens (FR)
- (73) Assignee: **SOCIETE DES PRODUITS NESTLE**
S.A., Vevey (CH)
- (**) Term: **15 Years**
- (21) Appl. No.: **29/538,172**
- (22) Filed: **Sep. 1, 2015**
- (51) **LOC (10) Cl.** **01-01**
- (52) **U.S. Cl.**
USPC **D1/125; D1/126**
- (58) **Field of Classification Search**
USPC D1/100–130, 199; 426/5, 76, 87, 92,
426/94, 95, 99, 101, 103, 104, 108, 134,
426/138–139, 143, 144, 279, 282, 283, 391,
426/514, 549, 559, 560, 660, 808; D9/439;
521/50; 251/364; 220/574; D8/8, 38,
D8/40, 83; D21/487; D24/130; D23/266;
D15/139
CPC A23G 3/50; A23G 3/54; A23J 3/26;
A23L 1/0067
See application file for complete search history.

- D381,185 S * 7/1997 Hauser D1/125
- D427,669 S * 7/2000 Ruuska D23/266
- D445,502 S * 7/2001 Maeji D24/130
- D454,143 S * 3/2002 Åsberg D15/139
- D458,438 S * 6/2002 Volk, III D2/869
- D474,873 S 5/2003 Frazee
- D475,173 S * 6/2003 Frazee D1/128
- D482,847 S * 12/2003 Lee D2/869
- D485,661 S * 1/2004 Harris D1/122
- D489,865 S 5/2004 Pavan

(Continued)

OTHER PUBLICATIONS

Pedigree® Dentaflex® Small, <https://uk.pedigree.com/our-products/care/pedigree-dentaflex-small> (last visited Sep. 1, 2015).

(Continued)

Primary Examiner — Barbara Fox
Assistant Examiner — Katie S Mroczka
(74) *Attorney, Agent, or Firm* — Finnegan, Henderson,
Farabow, Garrett & Dunner, LLP

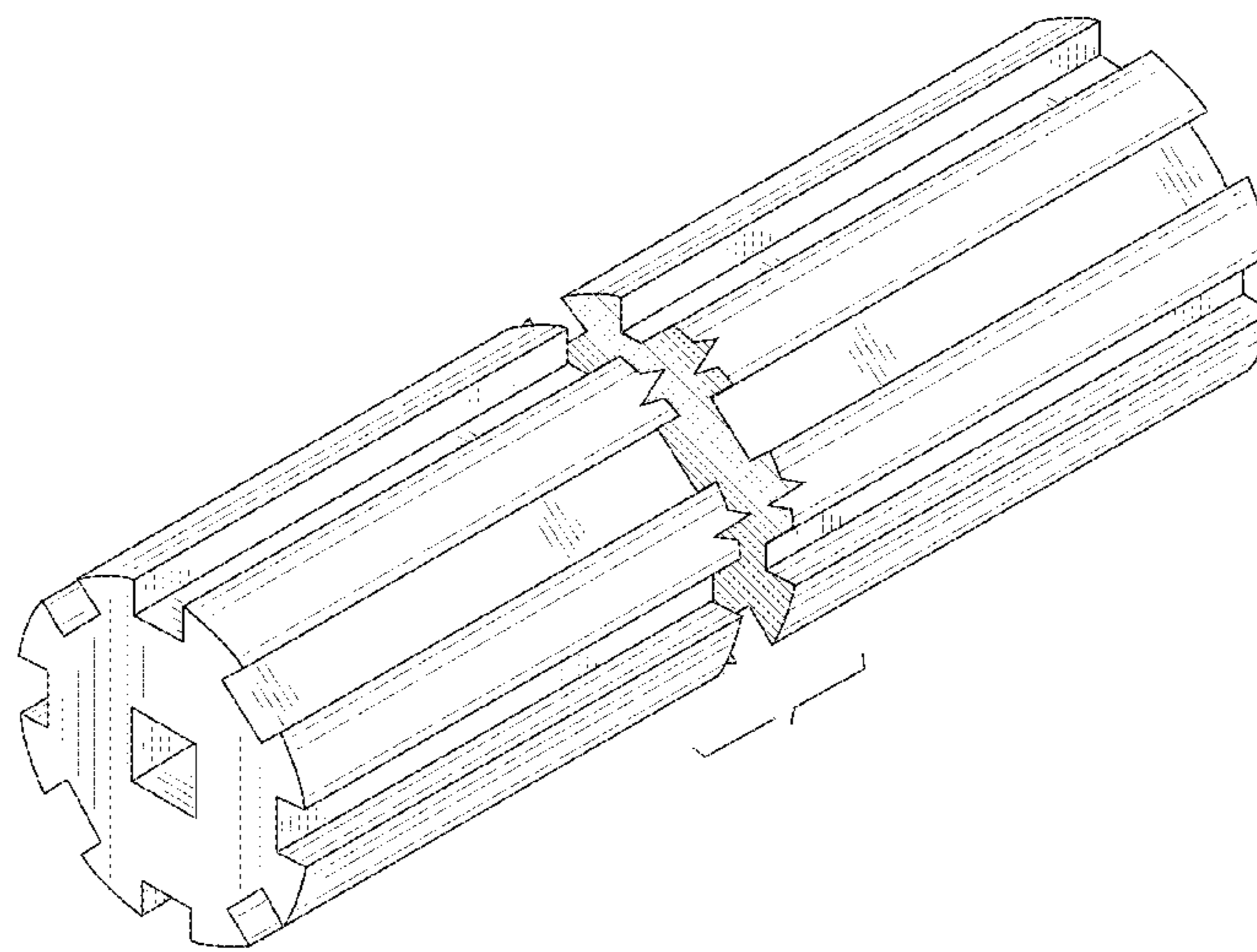
(57) **CLAIM**
The ornamental design for a pet treat, as shown and described.

DESCRIPTION

FIG. 1 is a top left front perspective view of a pet treat showing our new design;
FIG. 2 is a front elevation view thereof;
FIG. 3 is a rear elevation view thereof;
FIG. 4 is a top plan view thereof;
FIG. 5 is a bottom view thereof;
FIG. 6 is a right side view thereof; and,
FIG. 7 is a left side view thereof.
The break lines shown in the middle portion of the pet treat in FIGS. 1-5 indicate that the appearance of any portion of the article between the break lines forms no part of the claimed design.

1 Claim, 6 Drawing Sheets

- (56) **References Cited**
U.S. PATENT DOCUMENTS
D134,414 S * 11/1942 Cruller D1/120
4,881,995 A * 11/1989 Arenz H01R 4/72
156/229
D311,625 S * 10/1990 Starck D1/126
5,223,067 A * 6/1993 Hamamoto B29C 53/805
156/169
D340,942 S * 11/1993 Smith D15/29
D364,079 S * 11/1995 Skinner D15/138



(56)

References Cited

U.S. PATENT DOCUMENTS

D492,836 S 7/2004 Lawrenson
D509,045 S 9/2005 Buckley et al.
D511,236 S 11/2005 Crum et al.
D515,275 S 2/2006 Leiweke et al.
7,107,938 B2* 9/2006 Brown A01K 15/026
119/710
D534,416 S * 1/2007 Kelleghan D8/356
D534,706 S 1/2007 Cuadrado
D553,326 S 10/2007 Evans et al.
D591,926 S 5/2009 Jia et al.
D603,134 S 11/2009 Powell
D603,135 S 11/2009 Unlu et al.
D603,136 S 11/2009 Unlu et al.
7,744,474 B2* 6/2010 Valovick F16C 3/03
277/912
D630,409 S 1/2011 Tansey et al.
D632,751 S * 2/2011 Bowers D22/108
D633,277 S 3/2011 Freije
D649,740 S 12/2011 Bredin et al.
D658,847 S 5/2012 Wylie
D661,868 S 6/2012 Takeda et al.
D675,130 S * 1/2013 Senn D12/42

D683,517 S 6/2013 Tansey et al.
D683,927 S 6/2013 Tansey et al.
D683,928 S 6/2013 Tansey et al.
D687,101 S * 7/2013 Sternberg D19/69
D692,206 S 10/2013 Slusarczyk et al.
D692,994 S * 11/2013 Fujimura D23/365
D704,917 S 5/2014 Albuja
D705,516 S 5/2014 Slusarczyk et al.
D714,016 S 9/2014 Slusarczyk et al.
D725,868 S * 4/2015 Kimura D1/126
D726,991 S * 4/2015 Albuja D1/125
9,052,017 B2* 6/2015 Evans F16J 15/18
D733,992 S * 7/2015 Kimura D1/126
2005/0012413 A1* 1/2005 Bott H02K 3/522
310/71

OTHER PUBLICATIONS

Pedigree® Dentastix™ Deep Clean Treats (Large), <http://www.pedigree.com/really-good-food/dentastix-deep-clean-large.aspx>
(last visited Sep. 1, 2015).
U.S. Appl. No. 14/943,176, filed Nov. 17, 2015.

* cited by examiner

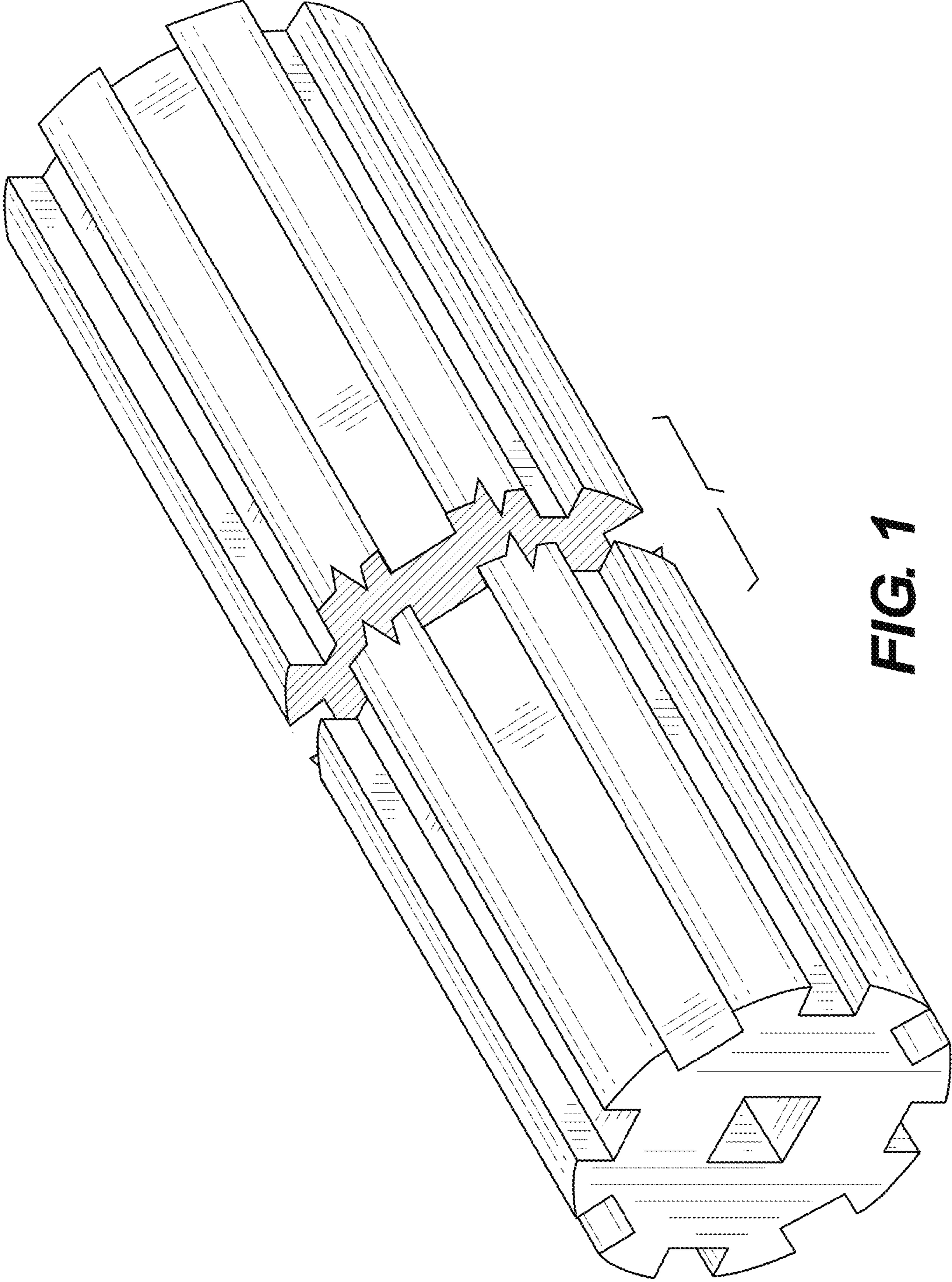


FIG. 1

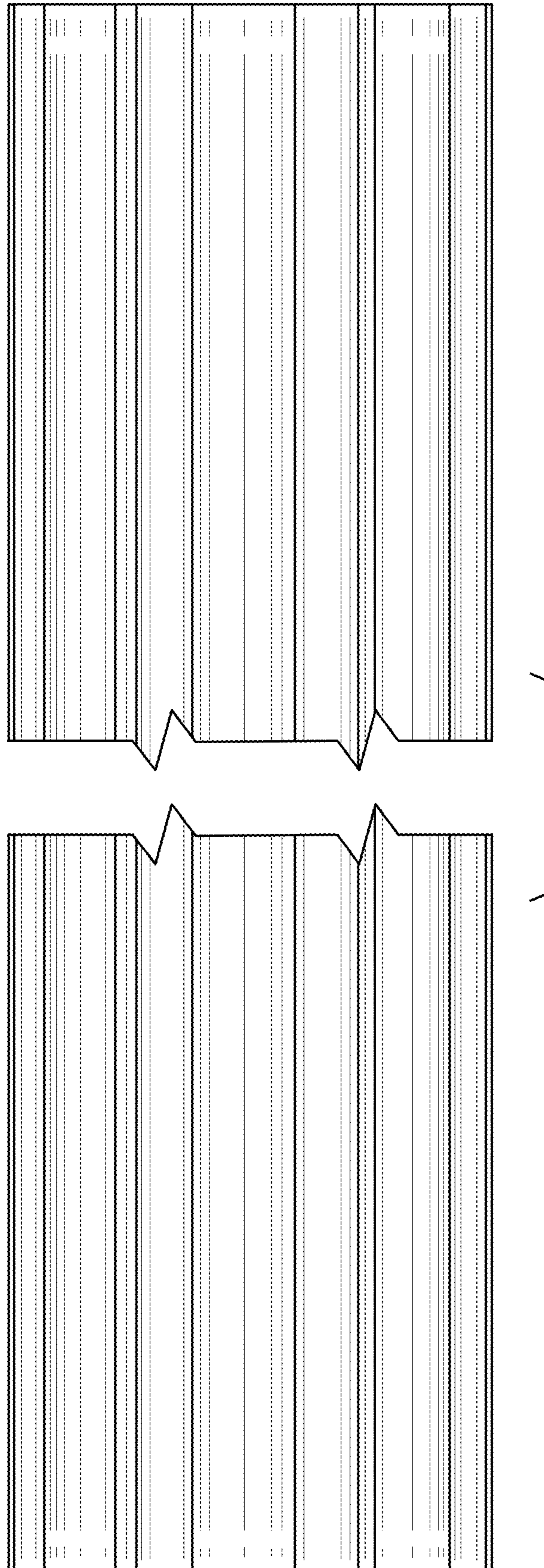


FIG. 2

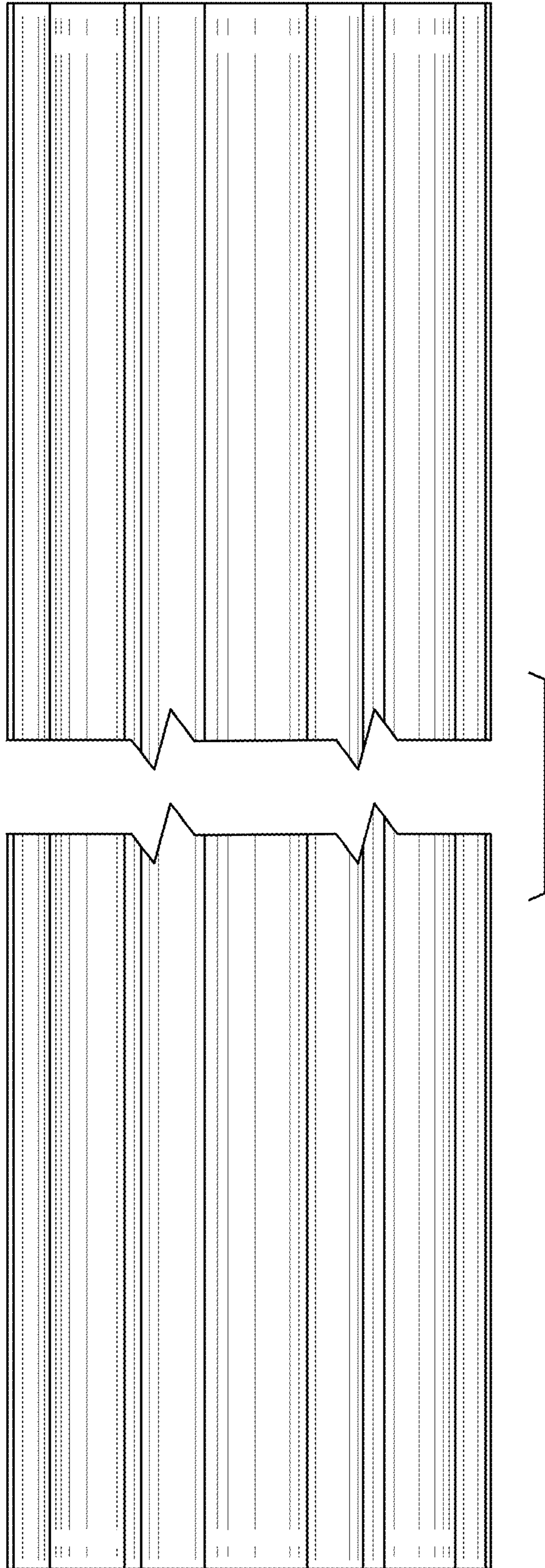


FIG. 3

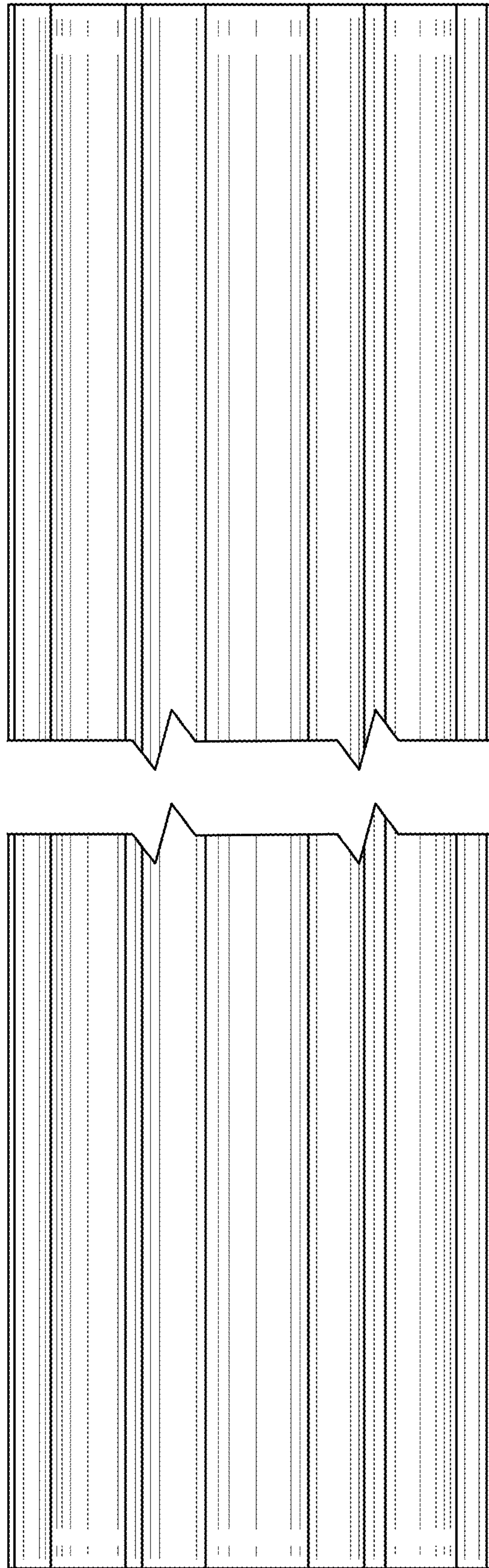


FIG. 4

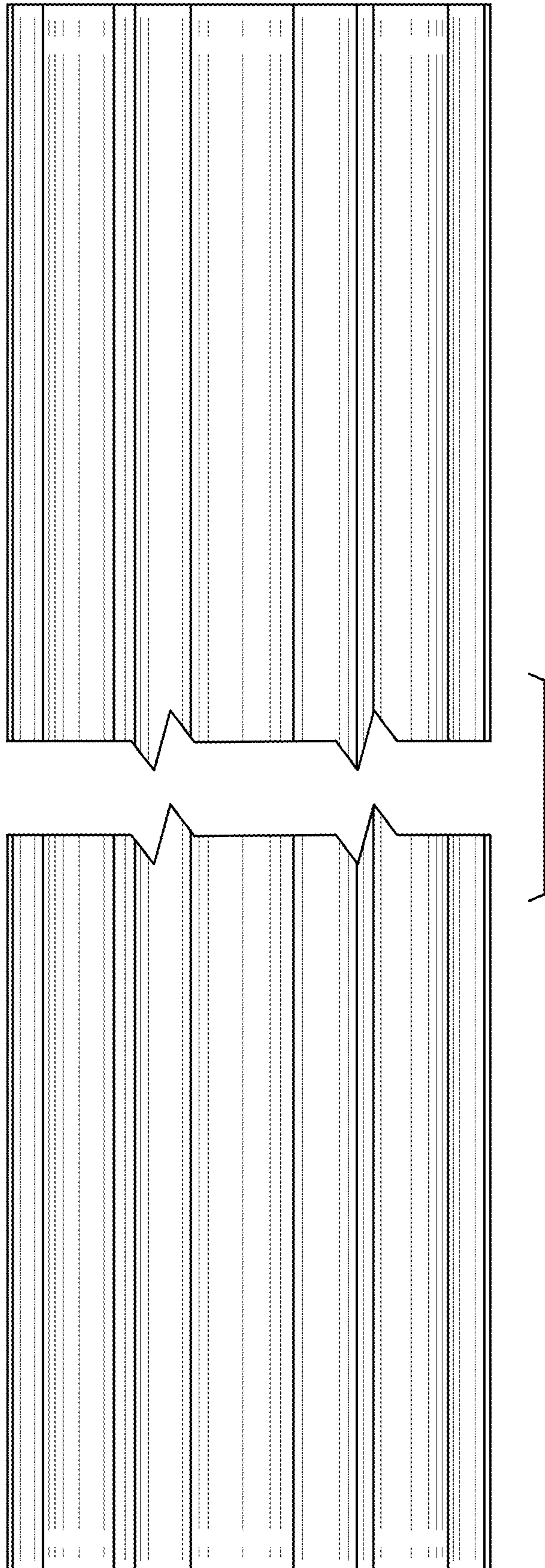


FIG. 5

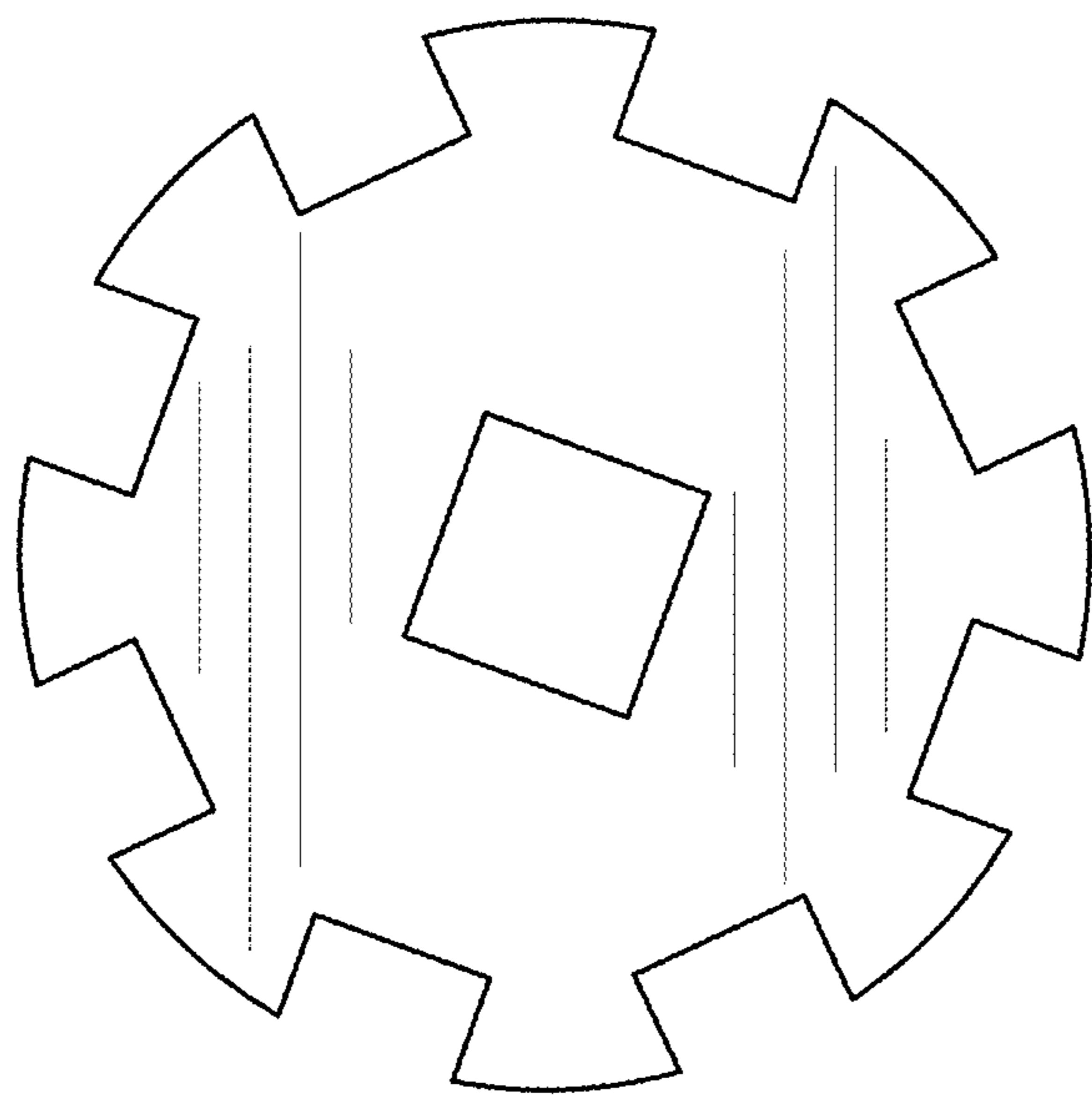


FIG. 7

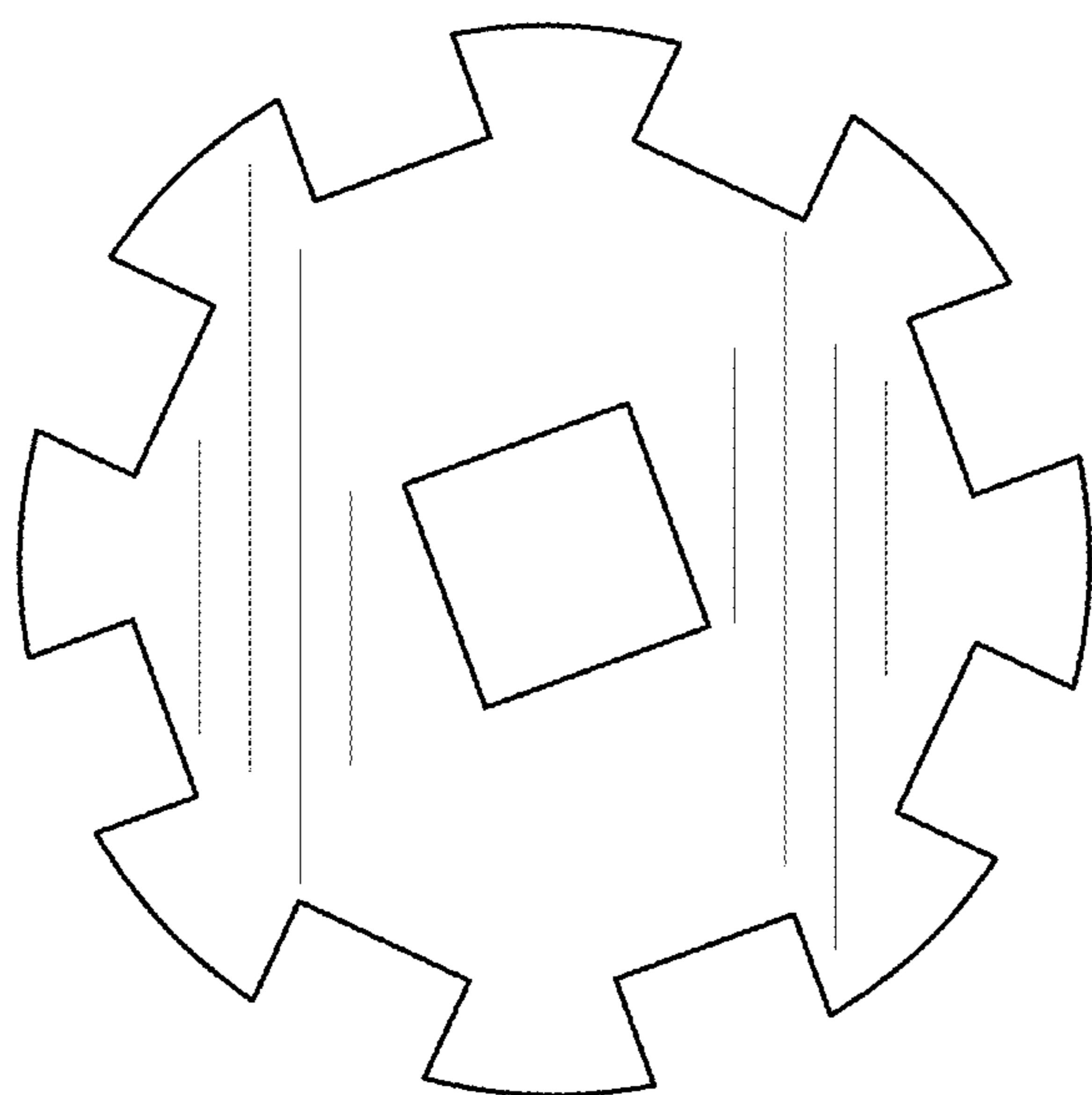


FIG. 6