



US00D771897S

(12) **United States Design Patent** (10) **Patent No.:** **US D771,897 S**
Aho (45) **Date of Patent:** **** Nov. 15, 2016**

(54) **WINCH HOUSING**
(71) Applicant: **Engo Industries, LLC**, Vancouver, WA (US)
(72) Inventor: **Drew V. Aho**, Vancouver, WA (US)
(73) Assignee: **Engo Industries, LLC**, Vancouver, WA (US)
(**) Term: **15 Years**
(21) Appl. No.: **29/528,778**
(22) Filed: **Jun. 1, 2015**

Related U.S. Application Data

(63) Continuation of application No. 29/508,220, filed on Nov. 4, 2014, now Pat. No. Des. 742,614.
(51) **LOC (10) Cl.** **12-05**
(52) **U.S. Cl.**
USPC **D34/33; D34/35**
(58) **Field of Classification Search**
USPC D34/33, 28, 35; 254/362, 356, 372, 254/380, 901, 382, 374, 316; D15/7-9
CPC B66D 1/12; B66D 1/14; B66D 1/00; B66D 1/38; B66D 1/30; B66D 1/34
See application file for complete search history.

References Cited

U.S. PATENT DOCUMENTS

1,550,114 A * 8/1925 Simpson B66D 3/18 242/157.1
2,360,713 A * 10/1944 Parker B66D 3/12 254/337
2,365,141 A * 12/1944 Sully B66D 3/24 254/269
3,190,617 A * 6/1965 Burrows B66D 3/22 254/342
4,103,872 A * 8/1978 Hirasuka B66D 1/58 254/356
5,098,068 A * 3/1992 Jussila B66D 1/28 254/342
5,170,885 A * 12/1992 Guenther H01B 17/42 174/50.63

6,073,917 A * 6/2000 Plummer B66D 1/7447 242/602.2
D471,338 S * 3/2003 Hodge D34/33
D473,992 S * 4/2003 Hodge D34/33
6,601,828 B2 * 8/2003 Strbuncelj B66B 11/043 187/254
6,604,731 B2 * 8/2003 Hodge B66D 1/22 254/344
D489,157 S * 4/2004 Lawson D34/33
6,864,650 B2 * 3/2005 Heravi B60P 3/12 318/266
D532,577 S * 11/2006 Elliott D34/33
D550,720 S * 9/2007 Geisler D34/33
D550,924 S * 9/2007 Huang D34/33
D555,874 S * 11/2007 Elliott D34/33
D597,105 S * 7/2009 Geisler D15/9
D599,524 S * 9/2009 Averill D34/33
7,891,641 B1 * 2/2011 Miller B66D 1/16 254/344
D703,414 S * 4/2014 Fretz D34/33
9,014,913 B2 * 4/2015 Heravi B66D 1/42 254/344
D744,189 S * 11/2015 Fretz D34/33
2008/0116431 A1 * 5/2008 Elliott B66D 1/22 254/355

(Continued)

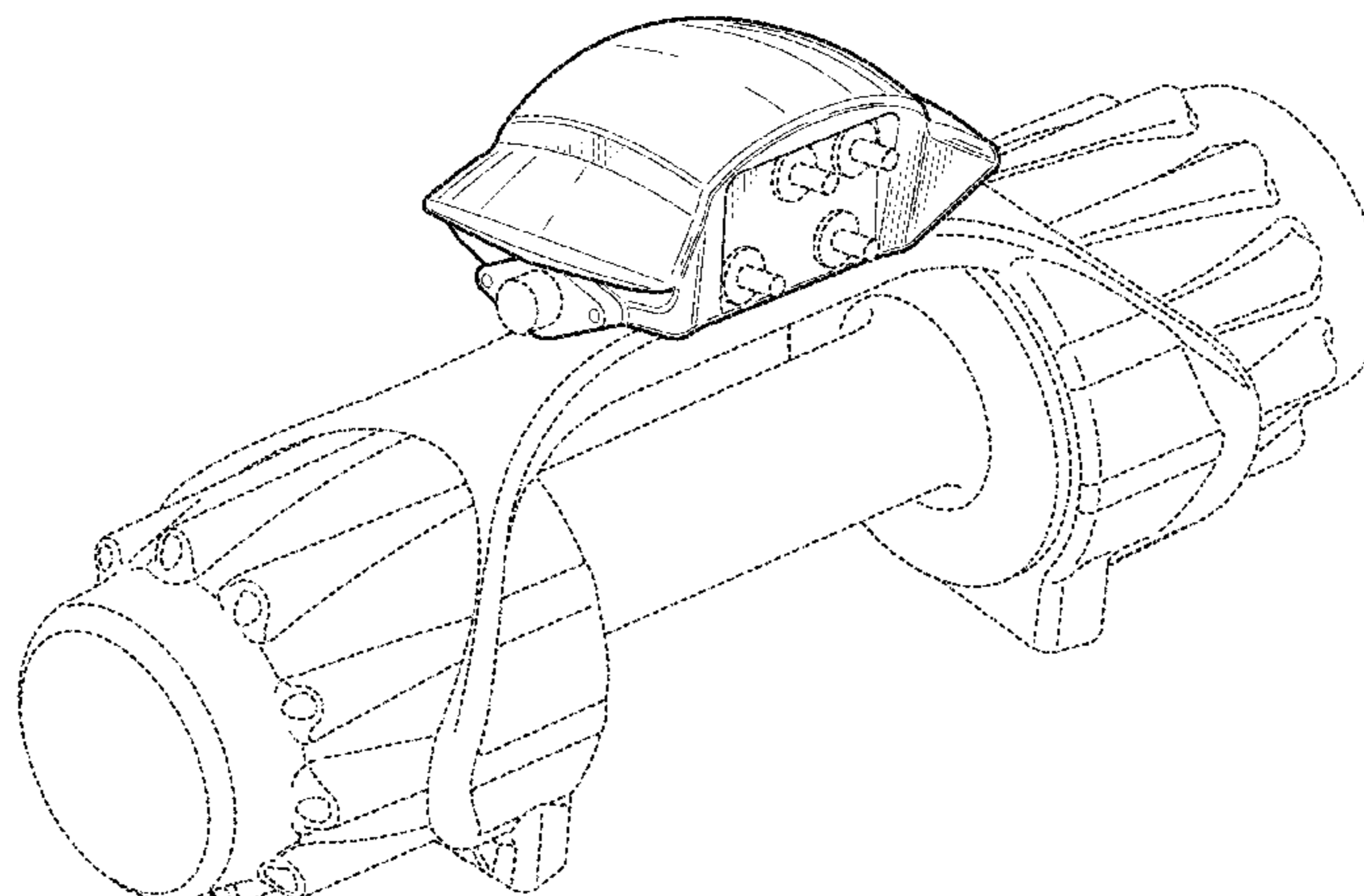
Primary Examiner — Cynthia Ramirez
(74) *Attorney, Agent, or Firm* — Luedeka Neely Group, P.C.

(57) **CLAIM**
The ornamental design of a winch housing, as shown and described.

DESCRIPTION

FIG. 1 is a top perspective view of the winch housing showing my new design;
FIG. 2 is a left side elevational view thereof;
FIG. 3 is a right side elevational view thereof;
FIG. 4 is a rear elevational view thereof;
FIG. 5 front elevational view thereof;
FIG. 6 is a top plan view thereof; and,
FIG. 7 is a bottom plan view thereof.
The broken line showing in the figures is included for the purpose of illustrating environment and forms no part of the claimed design.

1 Claim, 6 Drawing Sheets



US D771,897 S

Page 2

(56)

References Cited

U.S. PATENT DOCUMENTS

2009/0134372 A1*	5/2009	Giacomini	B66D 1/08 254/342	2014/0001427 A1*	1/2014	Fretz	B66D 1/02 254/342
2013/0334479 A1*	12/2013	Yoder	B66D 1/34 254/266	2014/0252286 A1*	9/2014	Averill	B66D 1/16 254/344
				2014/0257631 A1*	9/2014	Heravi	B66D 1/42 701/36

* cited by examiner

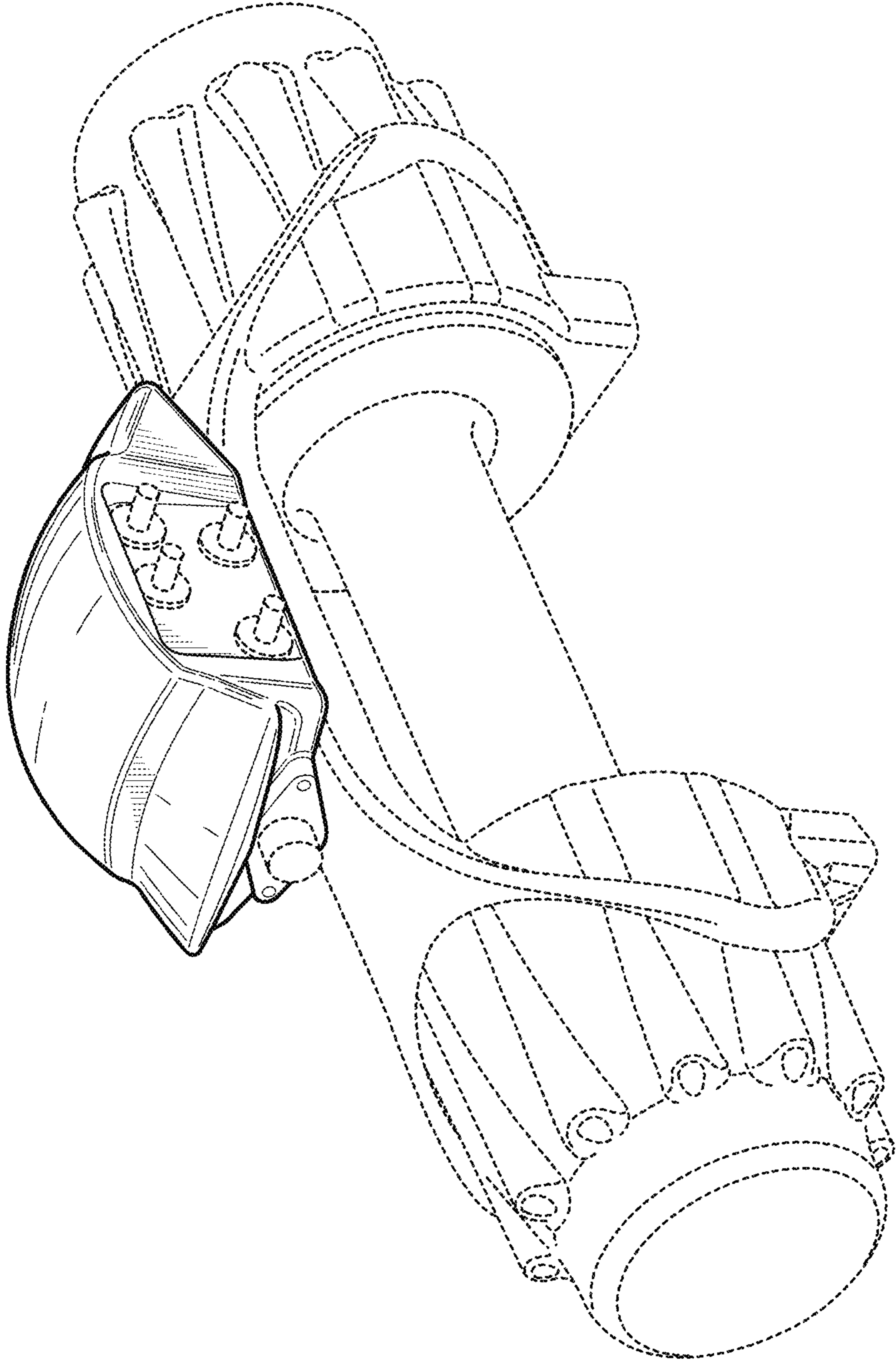


FIG. 1

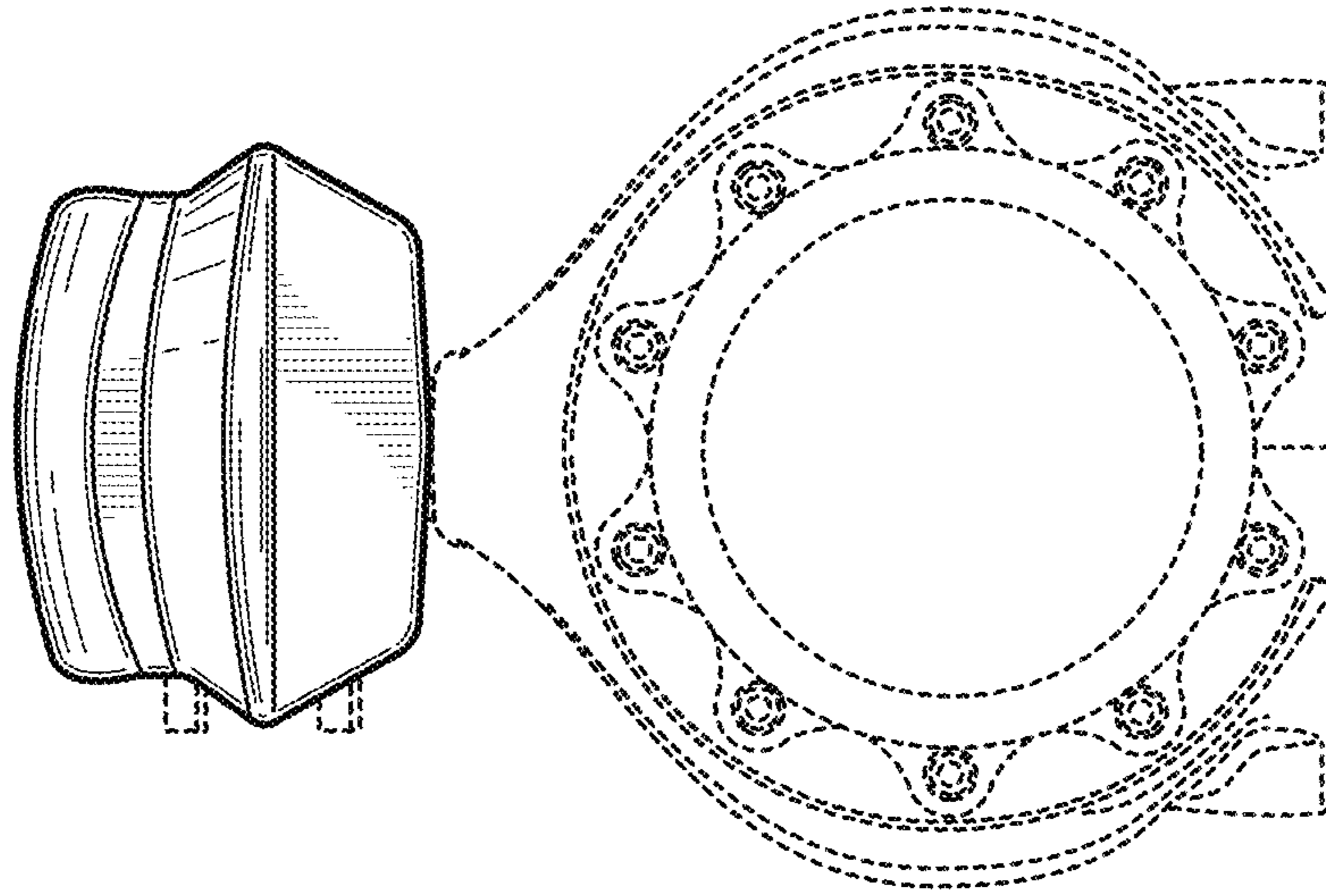


FIG. 3

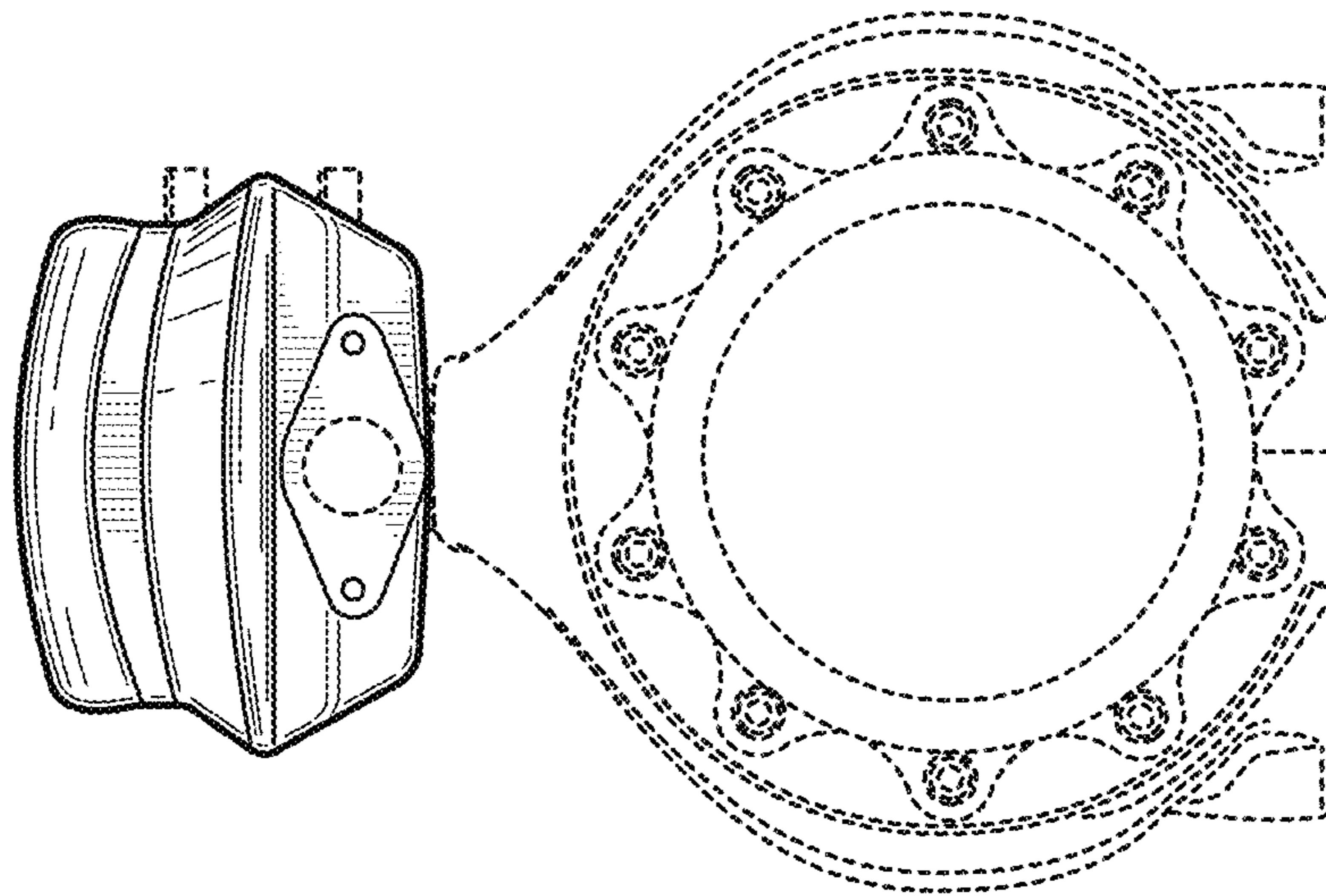


FIG. 2

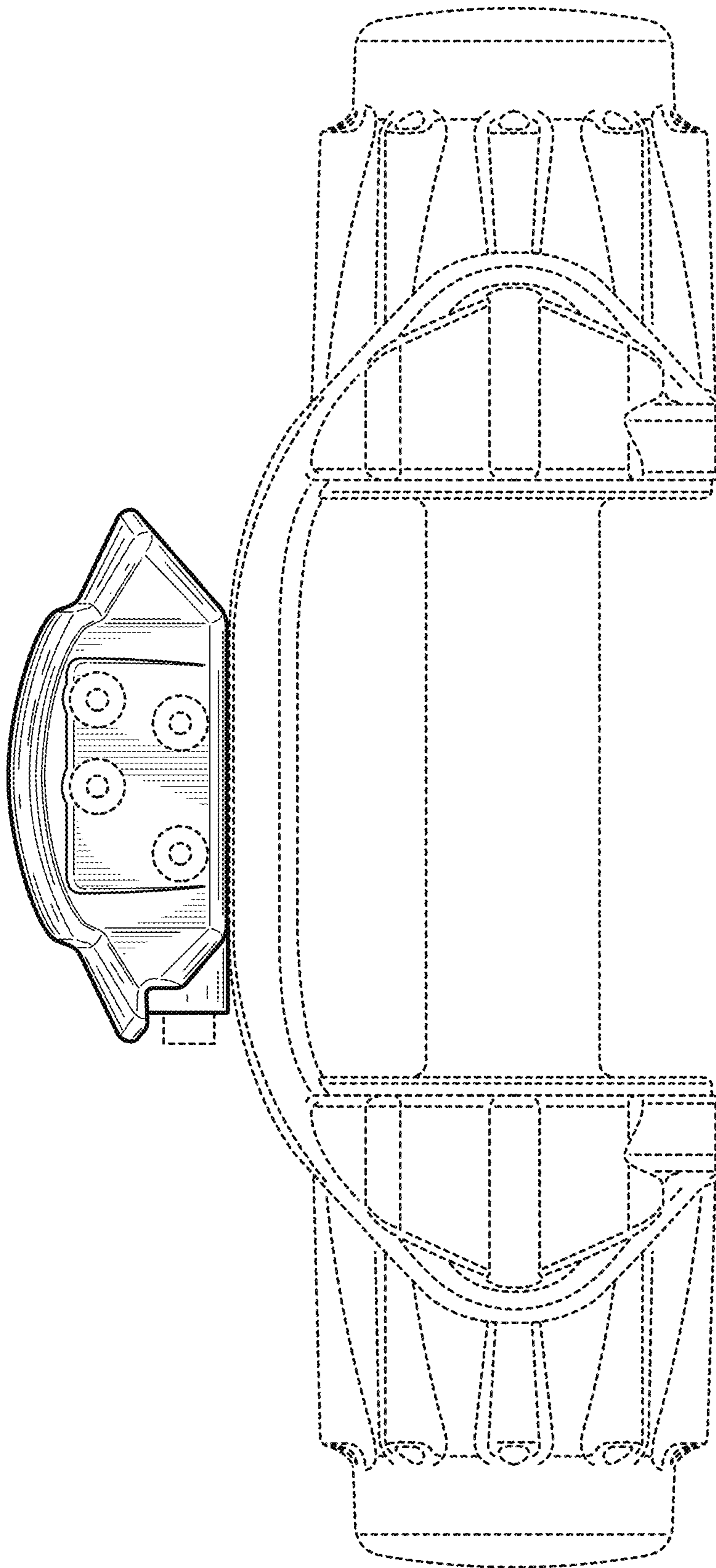


FIG. 4

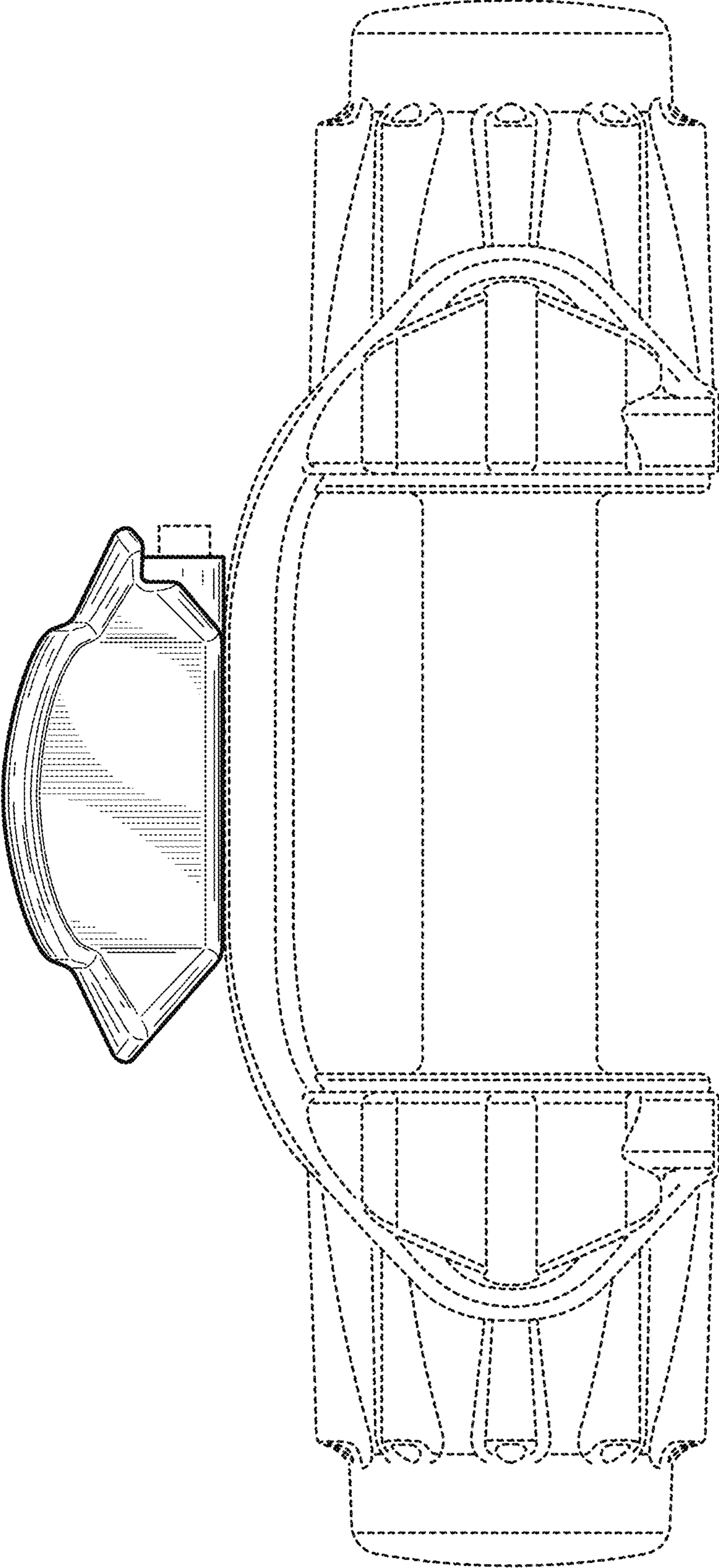


FIG. 5

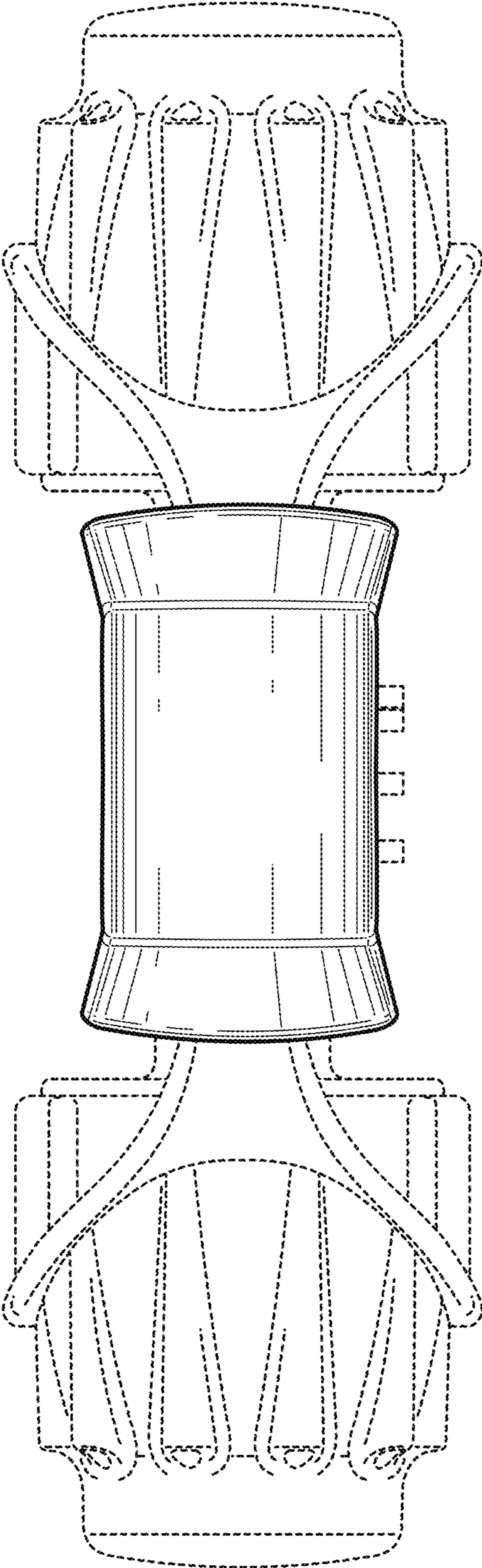


FIG. 6

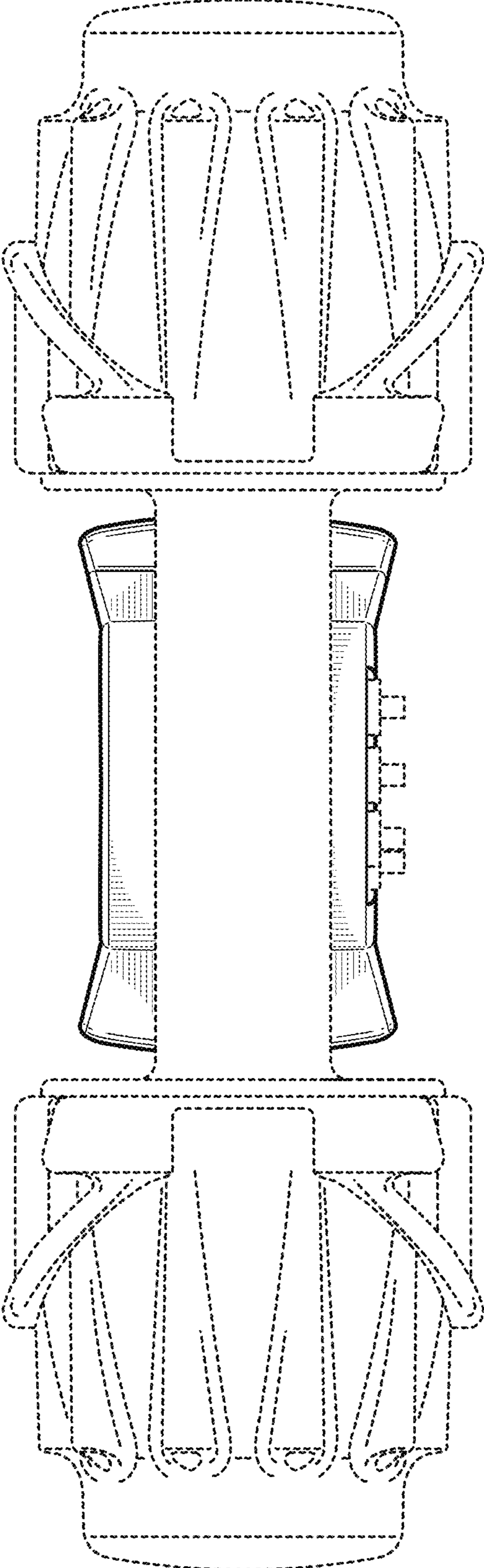


FIG. 7