



US00D771896S

(12) **United States Design Patent**
Hagendoorn

(10) **Patent No.:** **US D771,896 S**

(45) **Date of Patent:** **** Nov. 15, 2016**

(54) **ROTARY SHACKLE**

(71) Applicant: **Meyn Beheer B.V.**, Oostzaan (NL)

(72) Inventor: **Jan Willem Hagendoorn**, Oostzaan (NL)

(73) Assignee: **Meyn Beheer B.V.**, Oostzaan (NL)

(**) Term: **15 Years**

(21) Appl. No.: **29/534,387**

(22) Filed: **Jul. 28, 2015**

(30) **Foreign Application Priority Data**

Jan. 29, 2015 (EM) 002622753

(51) **LOC (10) Cl.** **12-05**

(52) **U.S. Cl.**
USPC **D34/29**

(58) **Field of Classification Search**
USPC D34/28, 29, 35; 294/82.1, 82.35;
452/169, 189, 188, 74, 183, 166-168,
452/170, 179, 184; D8/323
CPC A22C 21/0007; A22C 21/0053
See application file for complete search history.

(56) **References Cited**

U.S. PATENT DOCUMENTS

- 3,243,841 A * 4/1966 Altenpohl, Jr. A22C 21/0007
452/188
- 3,249,963 A * 5/1966 Strandine A22C 21/0007
452/188
- 3,289,245 A * 12/1966 Van Dolah A22C 21/0007
452/183
- 5,487,700 A * 1/1996 Dillard A22C 21/0007
452/179

- D373,883 S * 9/1996 Dillard D34/29
- 6,017,269 A * 1/2000 Altenpohl, III A22C 21/0053
452/188
- 6,764,393 B1 * 7/2004 Hazenbroek A22C 21/0007
452/188
- 6,830,508 B2 * 12/2004 Hazenbroek A22C 21/0007
452/179
- 2002/0090905 A1 * 7/2002 Moriarty A22C 21/0007
452/188
- 2004/0198209 A1 * 10/2004 Hazenbroek A22C 21/0007
452/188
- 2007/0184768 A1 * 8/2007 Sorensen A22C 21/0007
452/189

* cited by examiner

Primary Examiner — Cynthia Ramirez

Assistant Examiner — Gino Colan

(74) *Attorney, Agent, or Firm* — Dority & Manning, P.A.

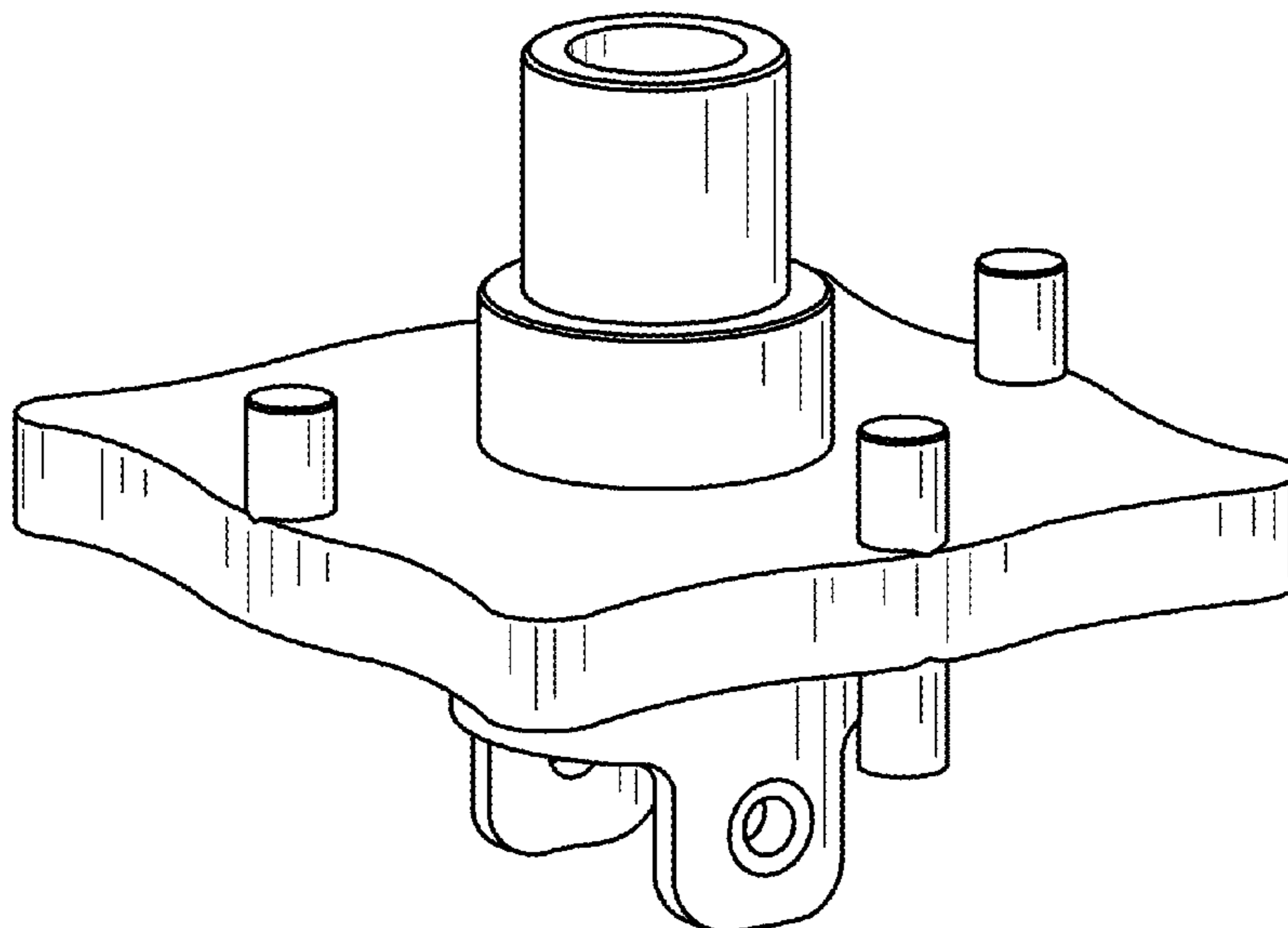
(57) **CLAIM**

The ornamental design for a rotary shackle, as shown and described.

DESCRIPTION

FIG. 1 is a front elevational view of a rotary shackle showing my new design;
FIG. 2 is a top plan view thereof;
FIG. 3 is a bottom plan view thereof;
FIG. 4 is a right elevational view thereof;
FIG. 5 is a left elevational view thereof;
FIG. 6 is a rear elevational view thereof; and,
FIG. 7 is a perspective view thereof.
The broken lines appearing in the drawings depict areas of environment of the claimed design and do not form part of the claimed design.

1 Claim, 7 Drawing Sheets



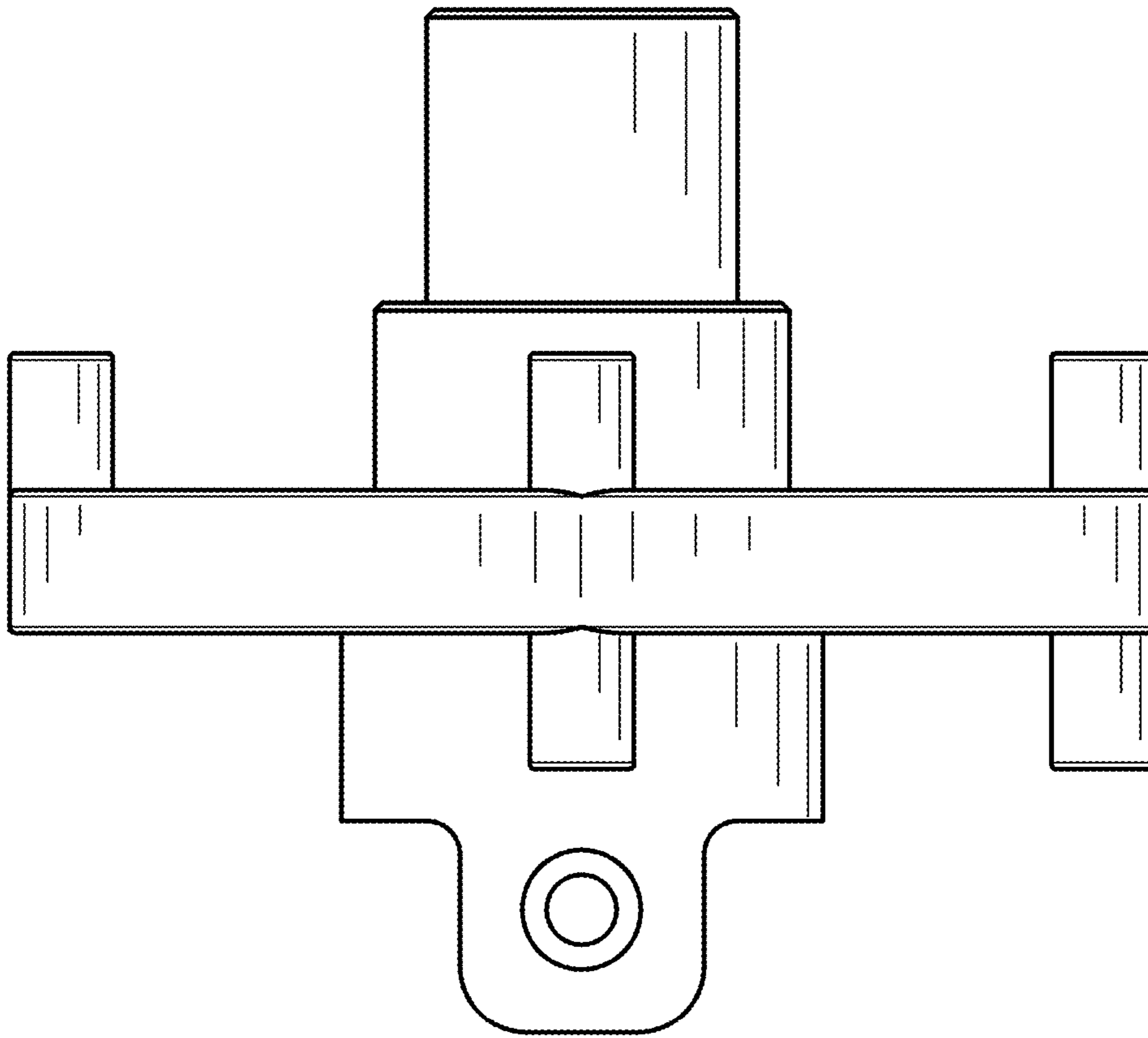


FIG. 1

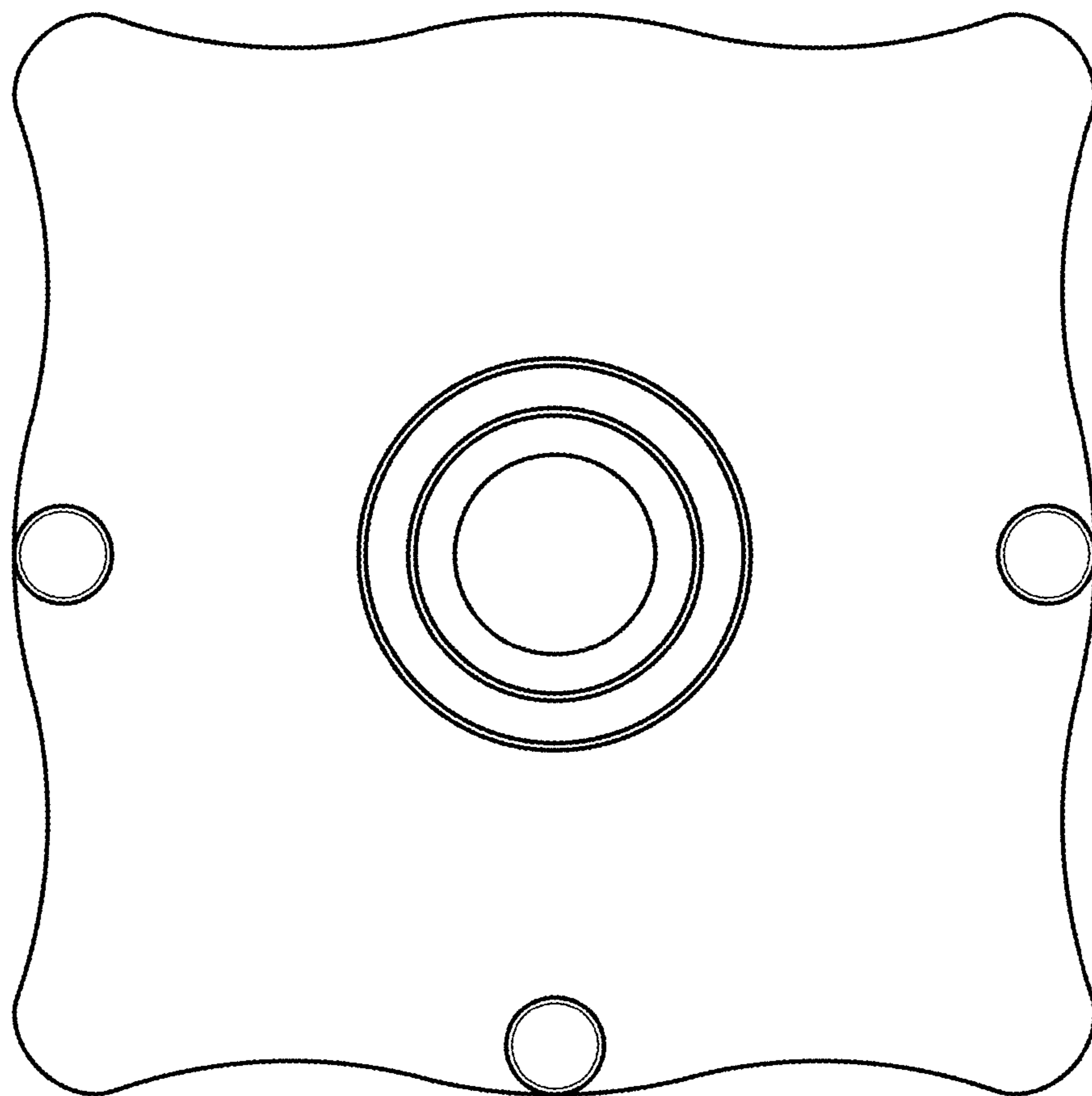


FIG. 2

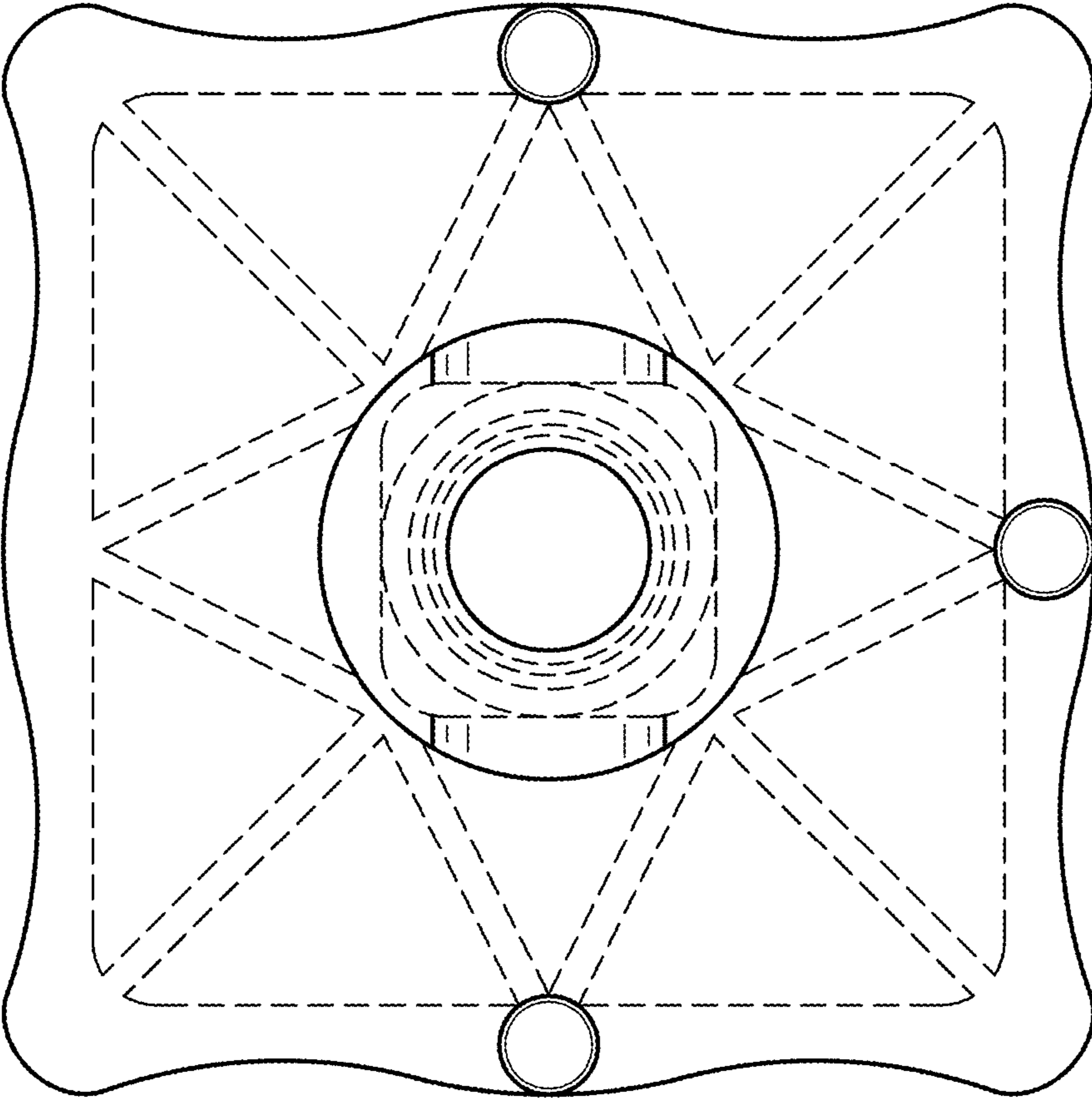


FIG. 3

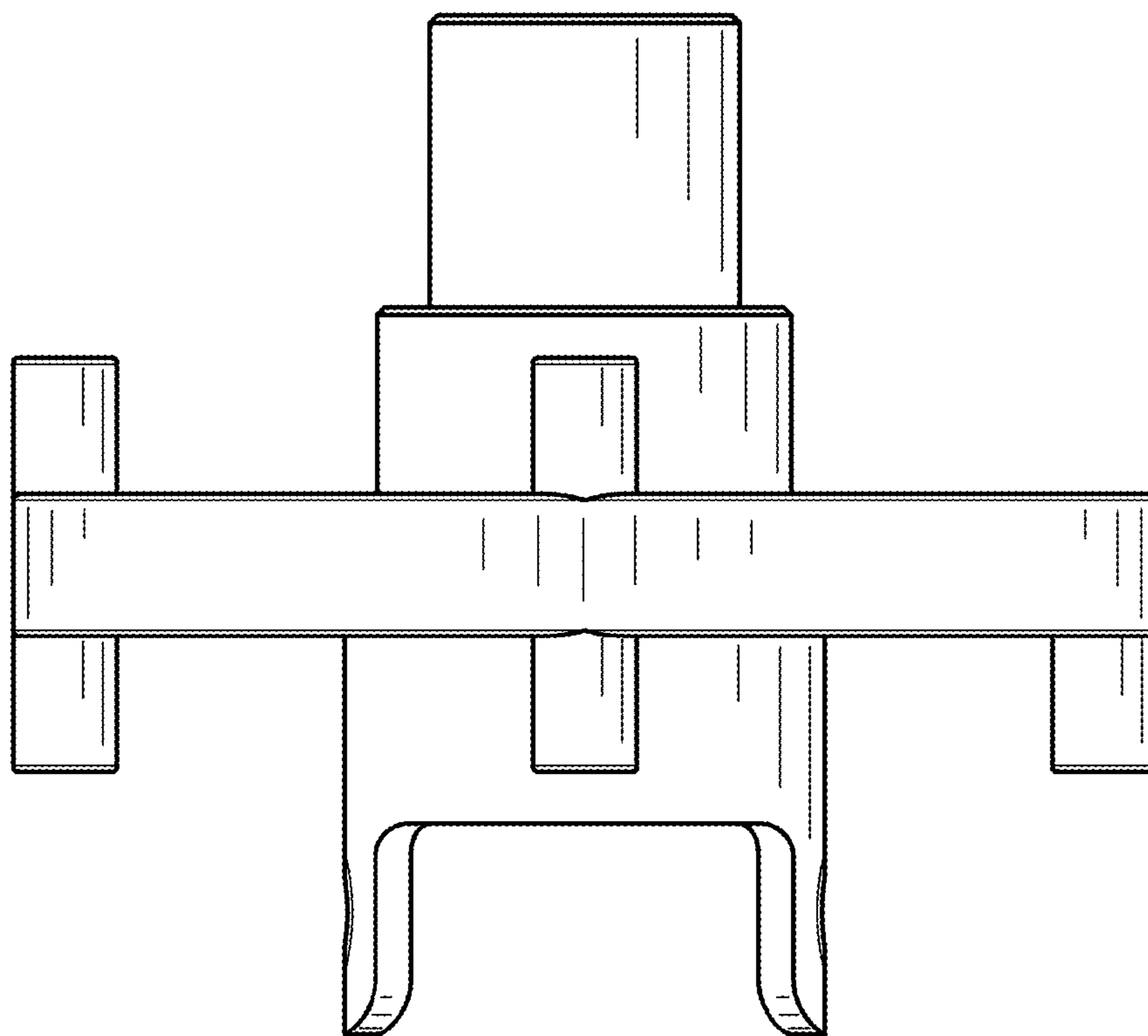


FIG. 4

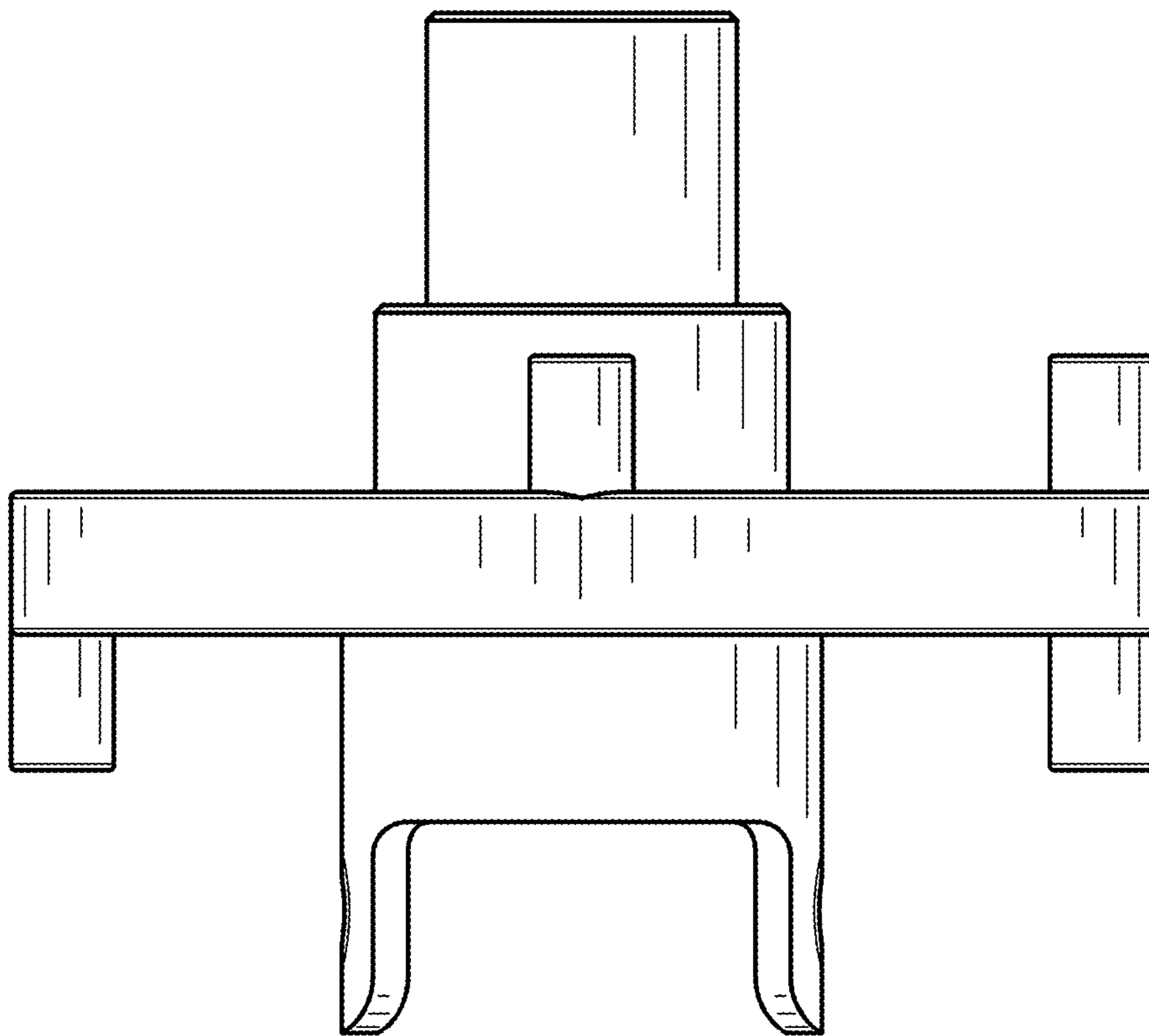


FIG. 5

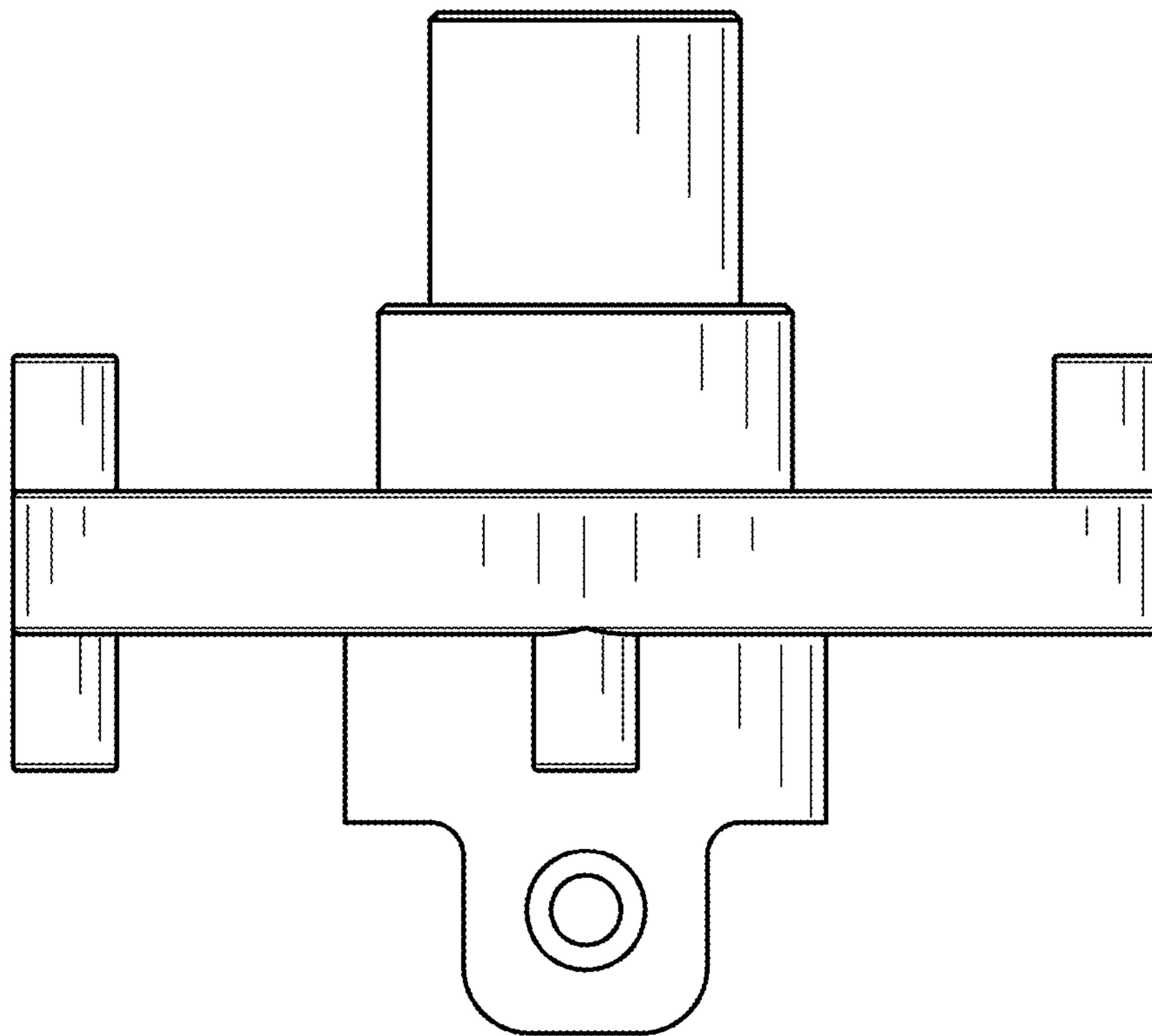


FIG. 6

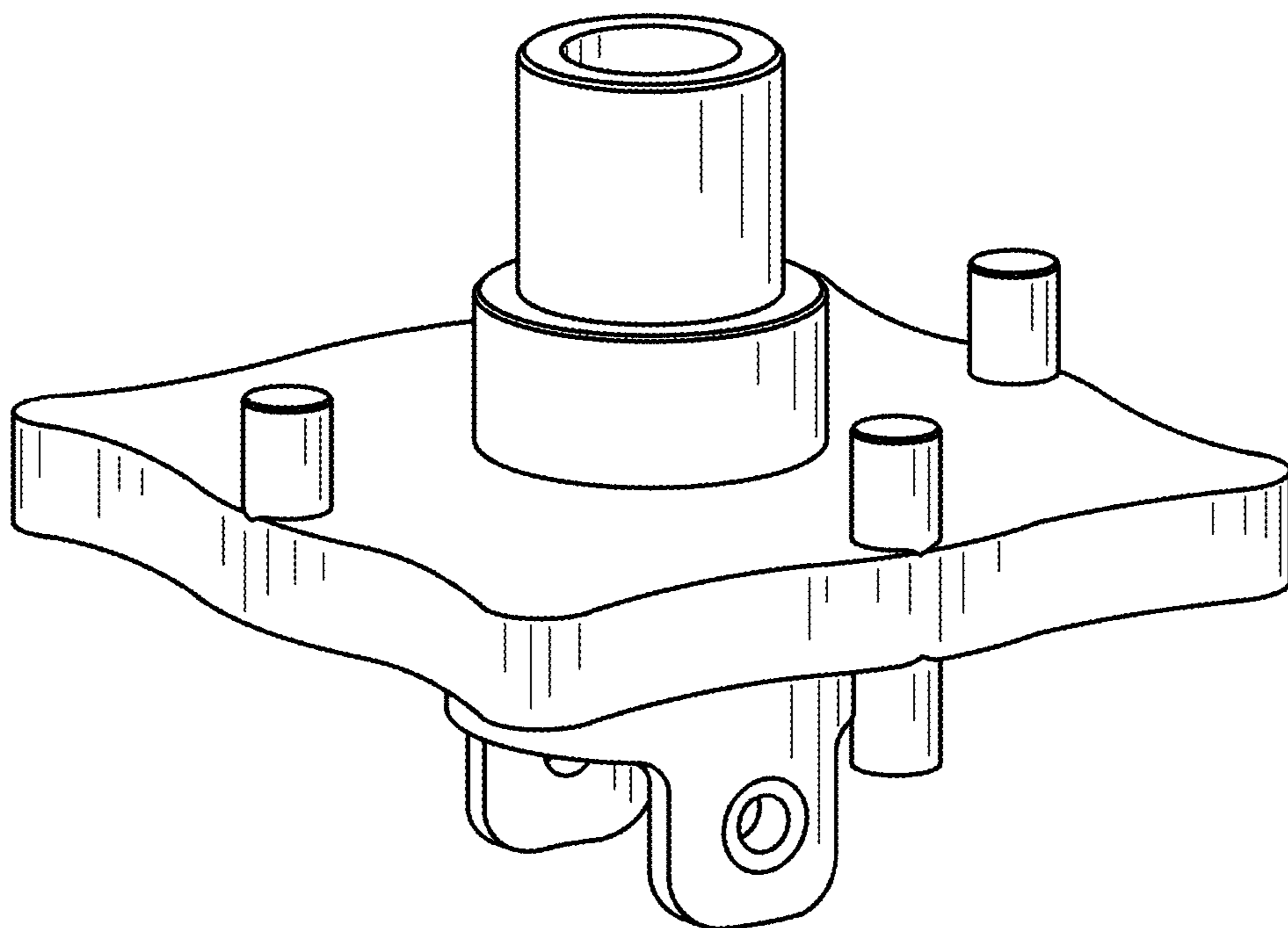


FIG. 7