



US00D771895S

(12) **United States Design Patent**
Hsu

(10) **Patent No.:** **US D771,895 S**

(45) **Date of Patent:** **** Nov. 15, 2016**

(54) **CARRY ASSIST DEVICE**

(71) Applicant: **Shou-Tao Hsu**, Taichung (TW)

(72) Inventor: **Shou-Tao Hsu**, Taichung (TW)

(**) Term: **15 Years**

(21) Appl. No.: **29/542,022**

(22) Filed: **Oct. 9, 2015**

(51) **LOC (10) Cl.** **12-02**

(52) **U.S. Cl.**
USPC **D34/24**

(58) **Field of Classification Search**
USPC D34/24, 26; D3/9; D12/130; D24/128,
D24/185

CPC A45B 1/02; A45B 3/00; A61H 3/04;
E01C 23/227; B62B 1/12

See application file for complete search history.

(56) **References Cited**

U.S. PATENT DOCUMENTS

D297,579 S *	9/1988	Bateham	D34/15
D307,665 S *	5/1990	Pressley	D21/735
D361,189 S *	8/1995	Smeitink	D34/24
D399,031 S *	9/1998	Prosper	D15/14
D411,360 S *	6/1999	Fredes	D34/24

D590,591 S *	4/2009	Yates	D12/130
8,714,170 B1 *	5/2014	Bonne	A45B 3/00 135/66
2011/0180626 A1 *	7/2011	Kang	A63C 19/065 239/225.1
2015/0291194 A1 *	10/2015	Robinson	B62B 1/26 280/47.18

* cited by examiner

Primary Examiner — Ian Simmons

Assistant Examiner — Richelle G Shelton

(74) *Attorney, Agent, or Firm* — Muncy, Geissler, Olds & Lowe, P.C.

(57) **CLAIM**

The ornamental design for a carry assist device, as shown and described.

DESCRIPTION

FIG. 1 is a perspective view of a carry assist device of the present design;

FIG. 2 is a front view of the present design;

FIG. 3 is a rear view of the present design;

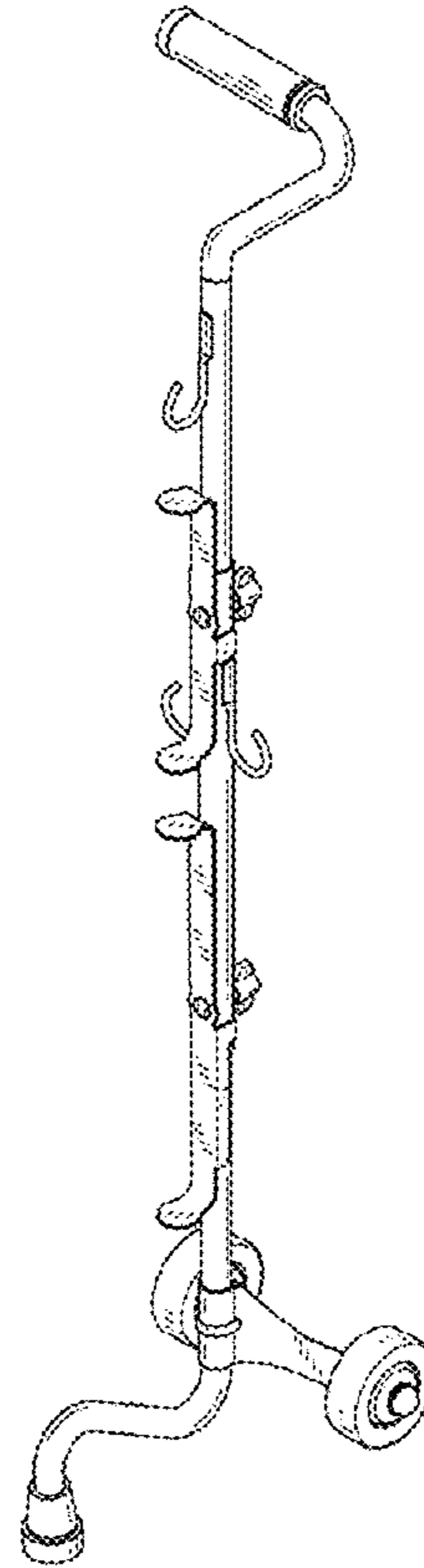
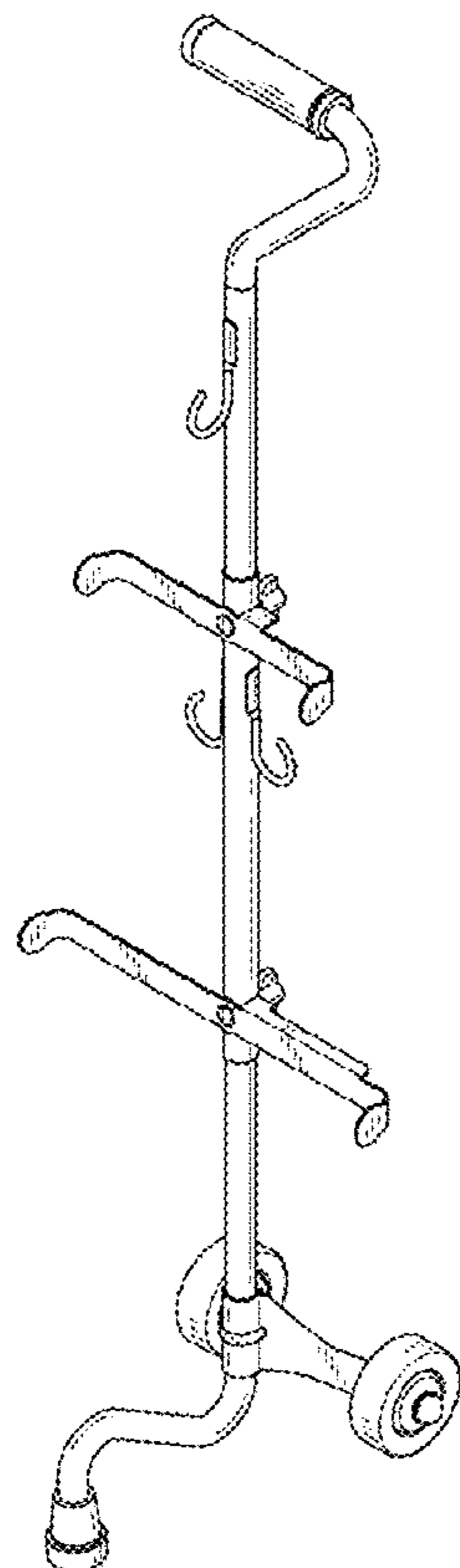
FIG. 4 is a left side view of the present design;

FIG. 5 is a right side view of the present design;

FIG. 6 is a top view of the present design; and,

FIG. 7 is a schematic drawing showing the carry assist device of the present invention in an alternate position.

1 Claim, 5 Drawing Sheets



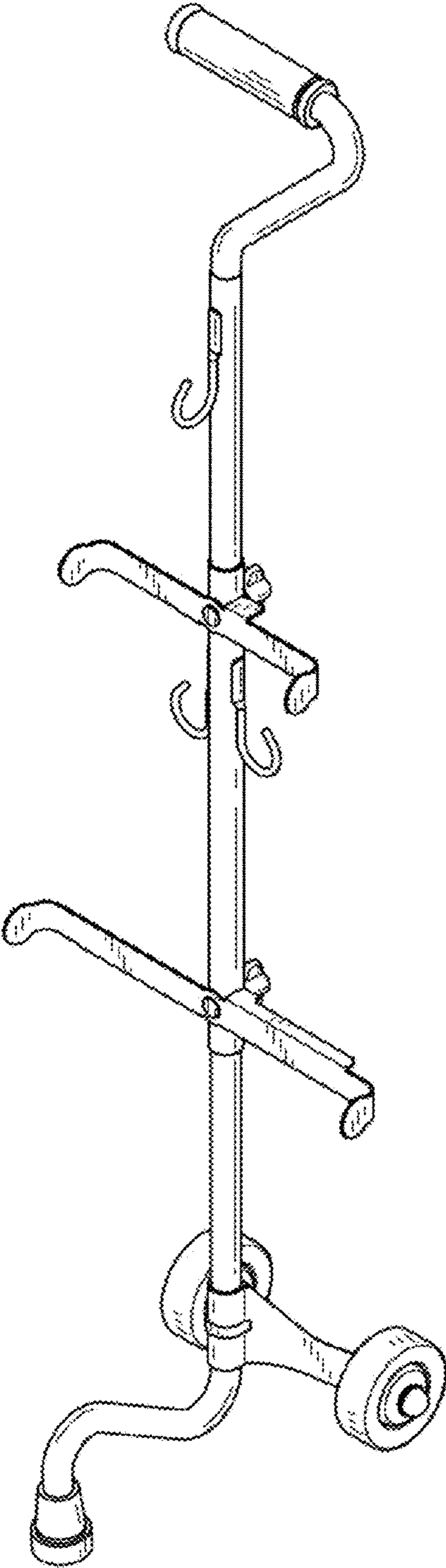


FIG. 1

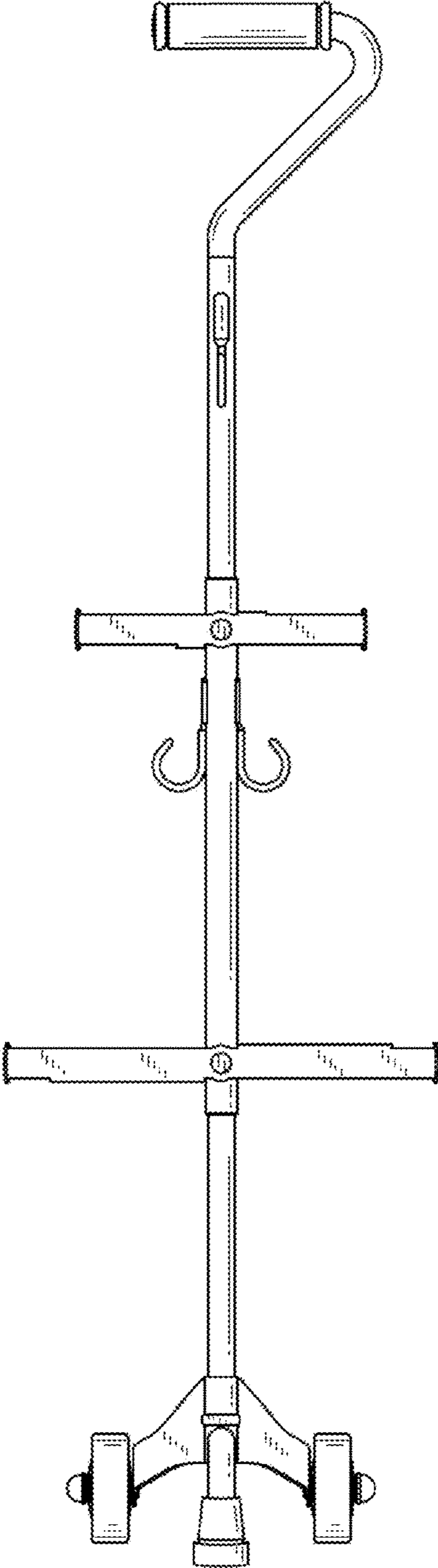


FIG. 2

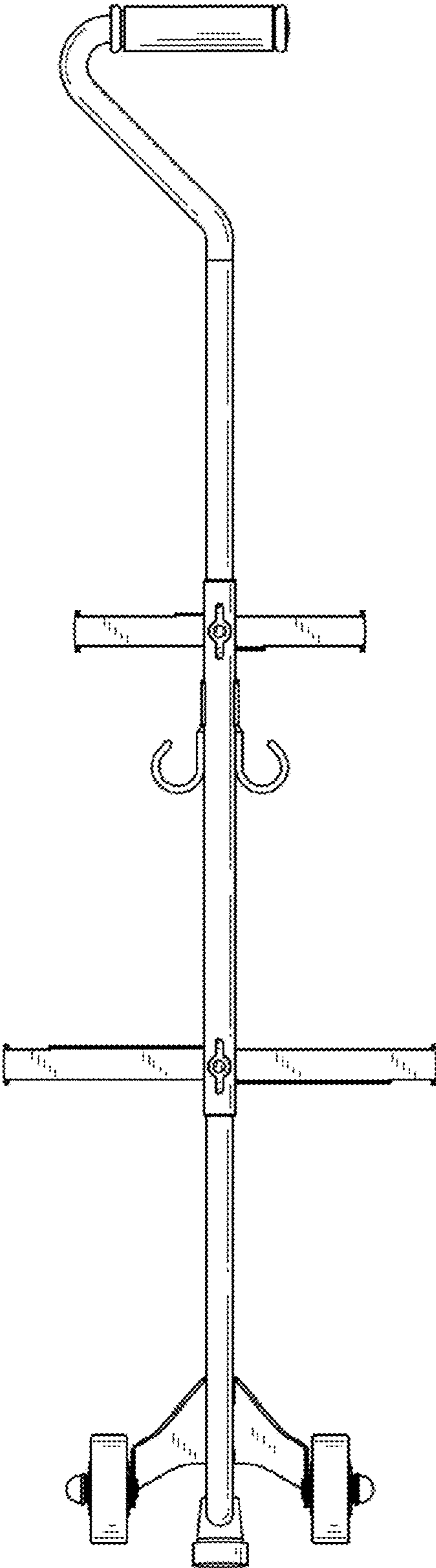


FIG. 3

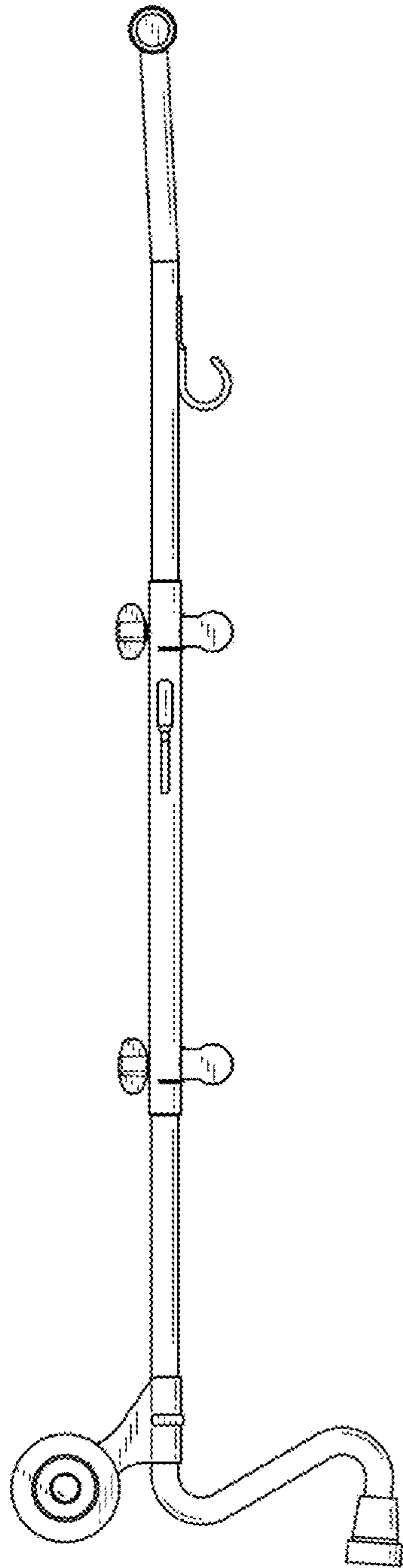


FIG. 4

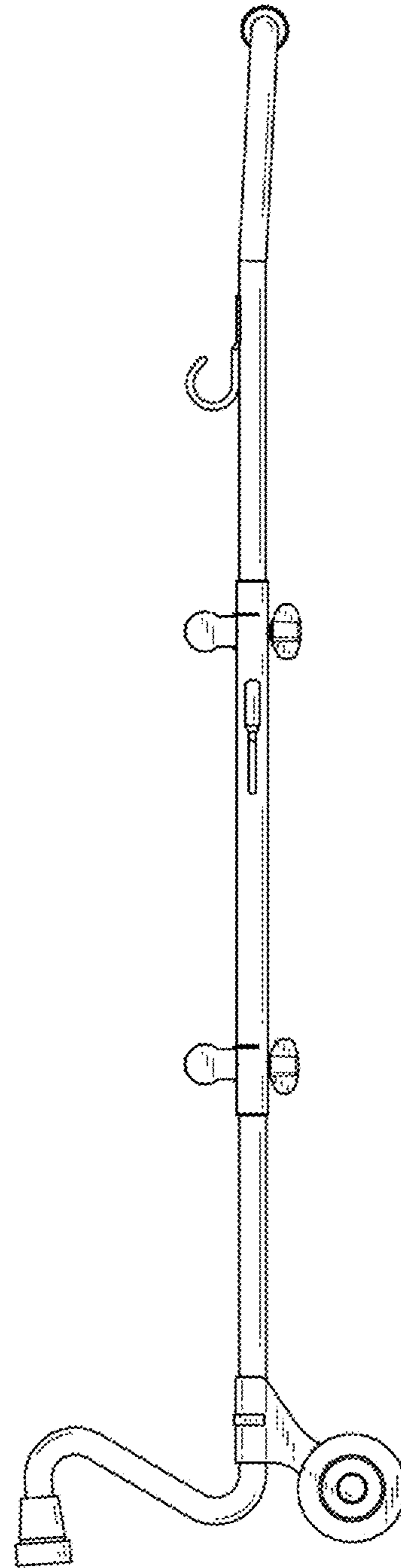


FIG. 5

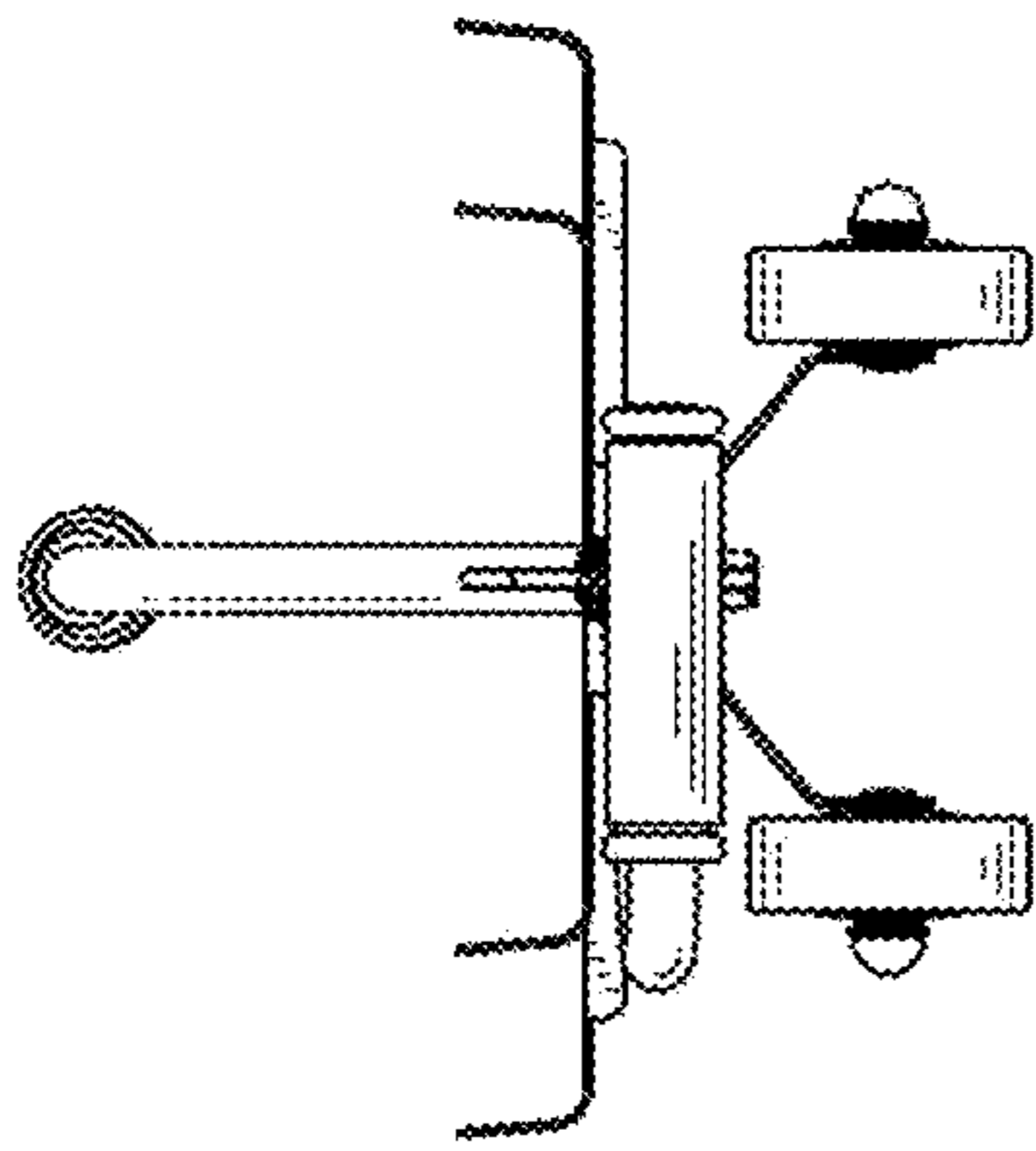


FIG. 6

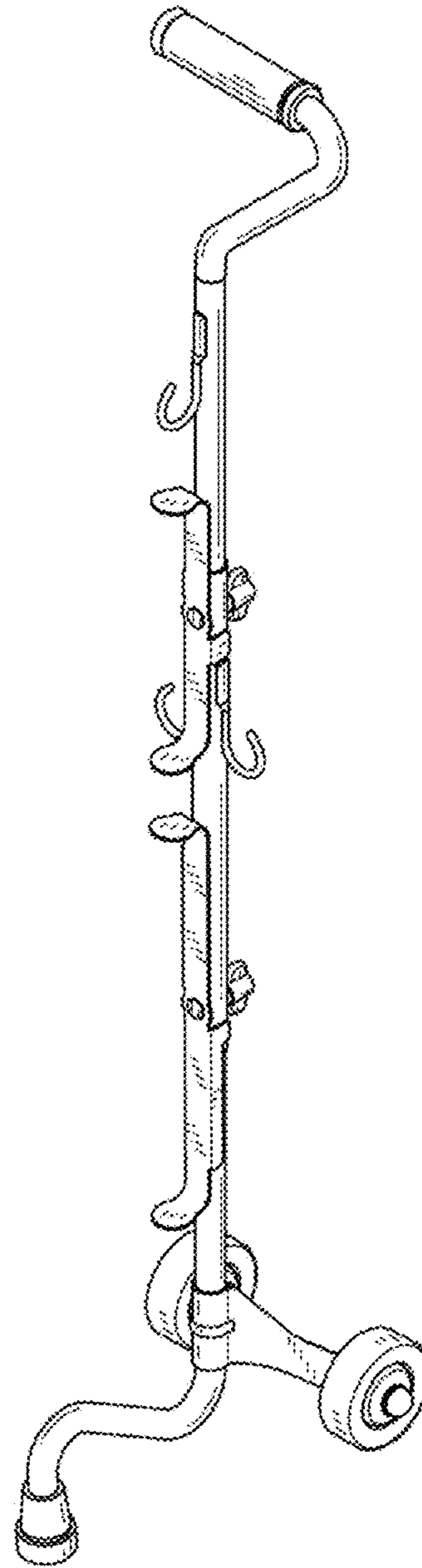


FIG. 7