



US00D771894S

(12) **United States Design Patent** (10) **Patent No.:** **US D771,894 S**
Roach et al. (45) **Date of Patent:** **** Nov. 15, 2016**

(54) **GAS CYLINDER HANDLING HAND-TRUCK**

(71) Applicant: **Ergo-Safe, Inc.**, Bakersfield, CA (US)

(72) Inventors: **Dwayne Roach**, Bakersfield, CA (US);
Michael Blackwood, Bakersfield, CA (US)

(73) Assignee: **Ergo-Safe, Inc.**, Bakersfield, CA (US)

(**) Term: **15 Years**

(21) Appl. No.: **29/535,898**

(22) Filed: **Aug. 11, 2015**

(51) **LOC (10) Cl.** **12-02**

(52) **U.S. Cl.**
USPC **D34/12**

(58) **Field of Classification Search**
USPC D34/12-27; 280/40, 47.24, 47.19, 654,
280/645
CPC B62B 1/10; B62B 1/264; B62B 1/14;
B62B 1/12; B62B 1/047; B62B 1/04; B62B
5/002; B62B 2202/408; B62B 2202/20
See application file for complete search history.

(56) **References Cited**

U.S. PATENT DOCUMENTS

- 4,793,622 A * 12/1988 Sydlow B62B 1/042
280/40
4,887,835 A * 12/1989 Dallaire B62B 1/047
280/646
5,193,842 A * 3/1993 Fontenot B62B 1/04
280/47.19

- 5,351,983 A * 10/1994 Descalo B62B 1/12
248/96
D356,410 S * 3/1995 Cole D34/15
D424,770 S * 5/2000 Watkins D34/12
D432,283 S * 10/2000 Mohns D34/24
6,799,769 B2 * 10/2004 Ziolkowski B62B 1/264
280/47.27
D615,724 S * 5/2010 Girard D24/185
D640,029 S * 6/2011 Barnes D34/18
8,262,106 B1 * 9/2012 Suszynsky B62B 5/002
280/47.131
D732,258 S * 6/2015 Garcia D34/12
D764,735 S * 8/2016 Avery D34/12

* cited by examiner

Primary Examiner — Cynthia Ramirez

(74) *Attorney, Agent, or Firm* — James M. Duncan, Esq.;
Klein DeNatale Goldner

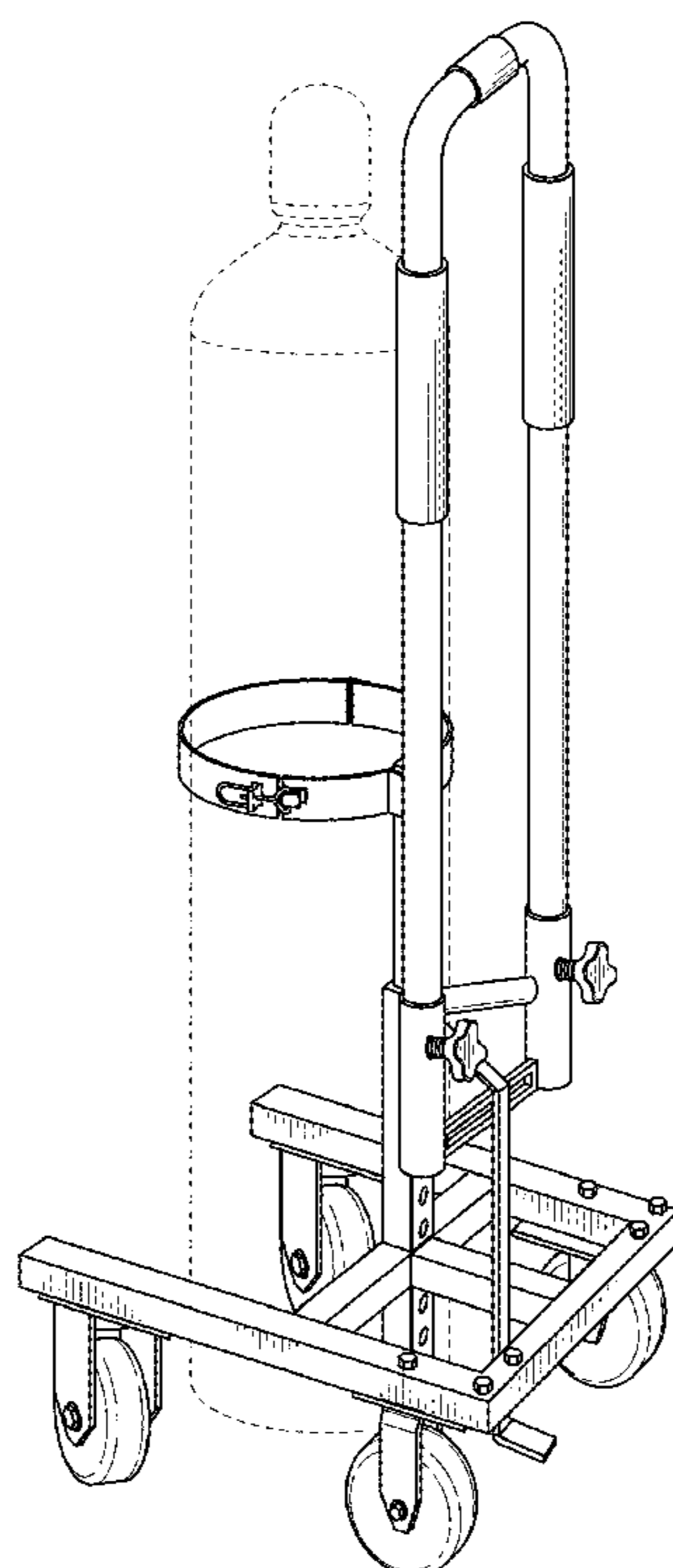
(57) **CLAIM**

The ornamental design for a gas cylinder handling hand-truck, as shown and described.

DESCRIPTION

FIG. 1 is a perspective view of a gas cylinder handling hand-truck, showing our new design;
FIG. 2 is a front view thereof;
FIG. 3 is a rear view thereof;
FIG. 4 is a left side view thereof;
FIG. 5 is a right side view thereof;
FIG. 6 is a top view thereof; and,
FIG. 7 is a bottom view thereof.

1 Claim, 5 Drawing Sheets



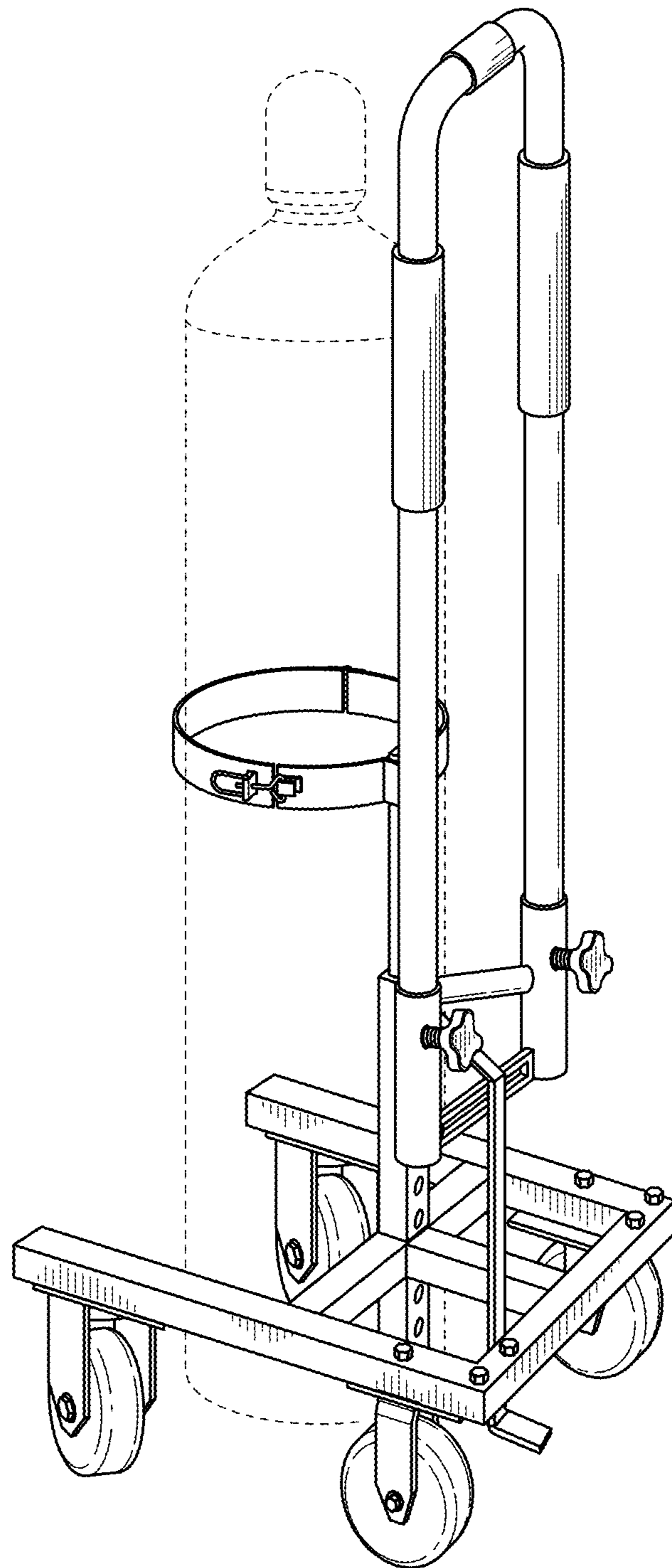


FIG. 1

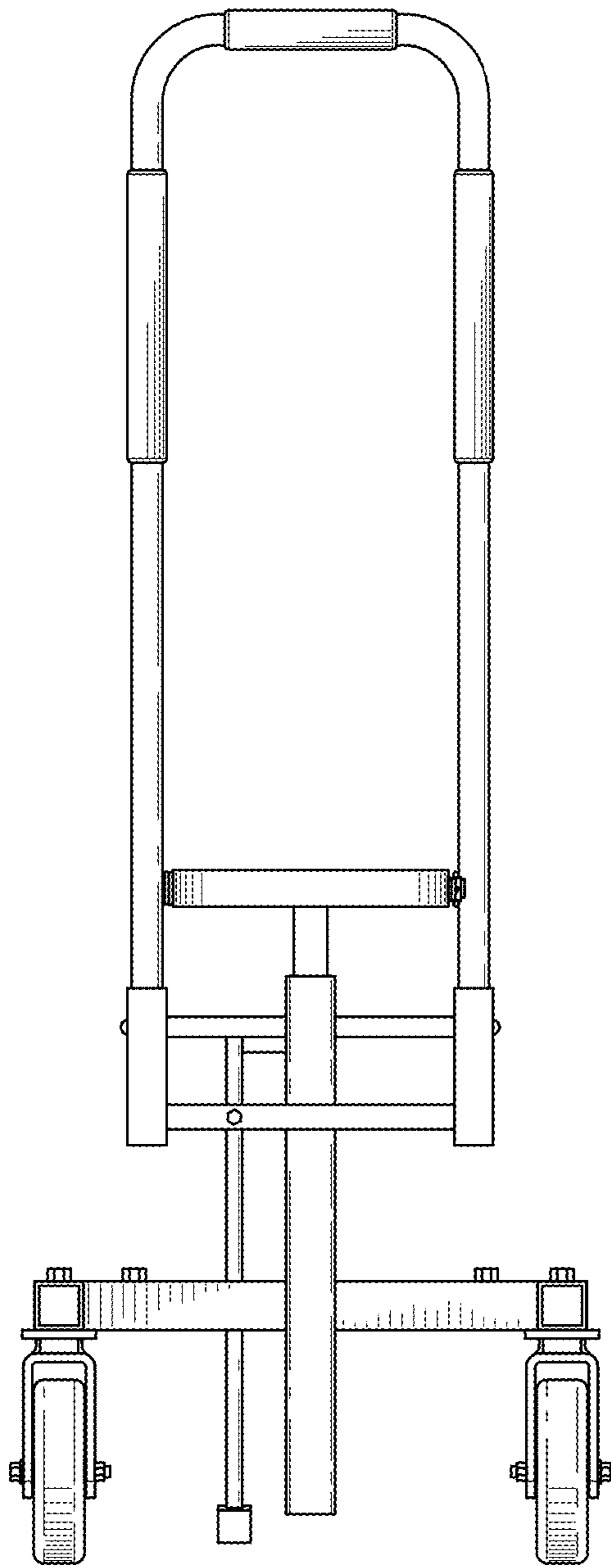


FIG. 2

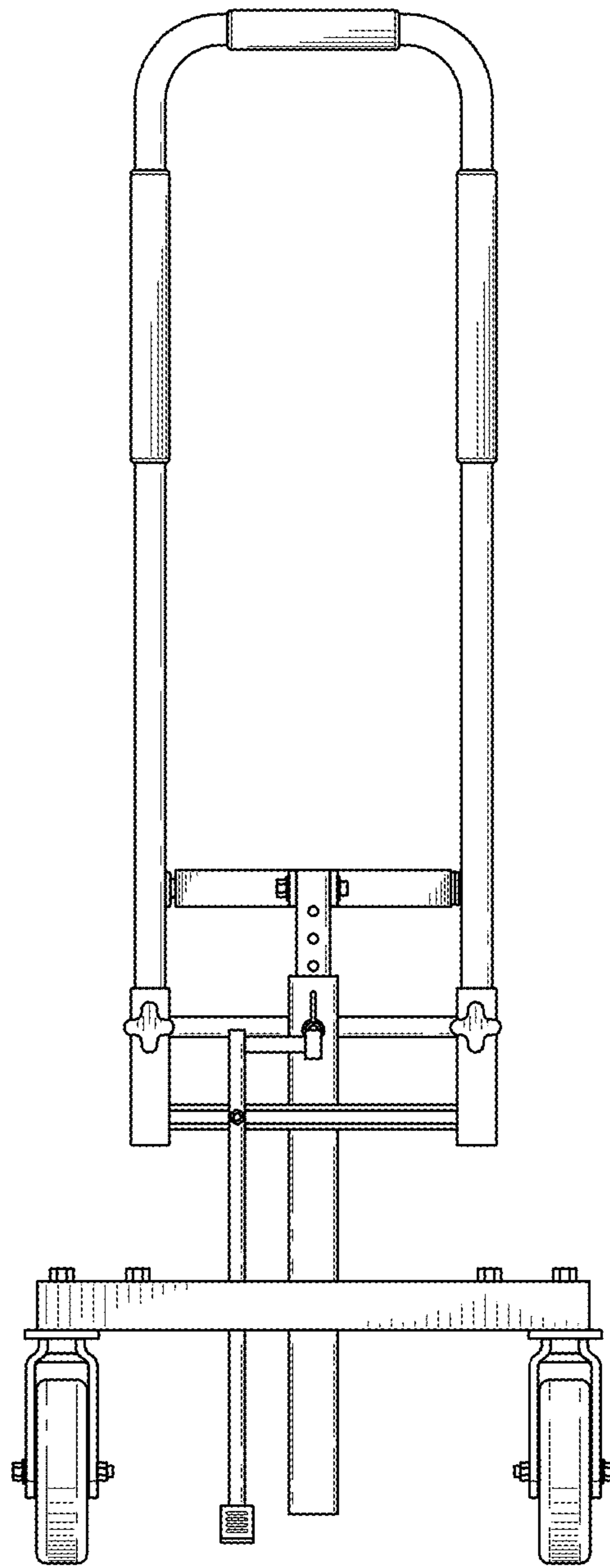


FIG. 3

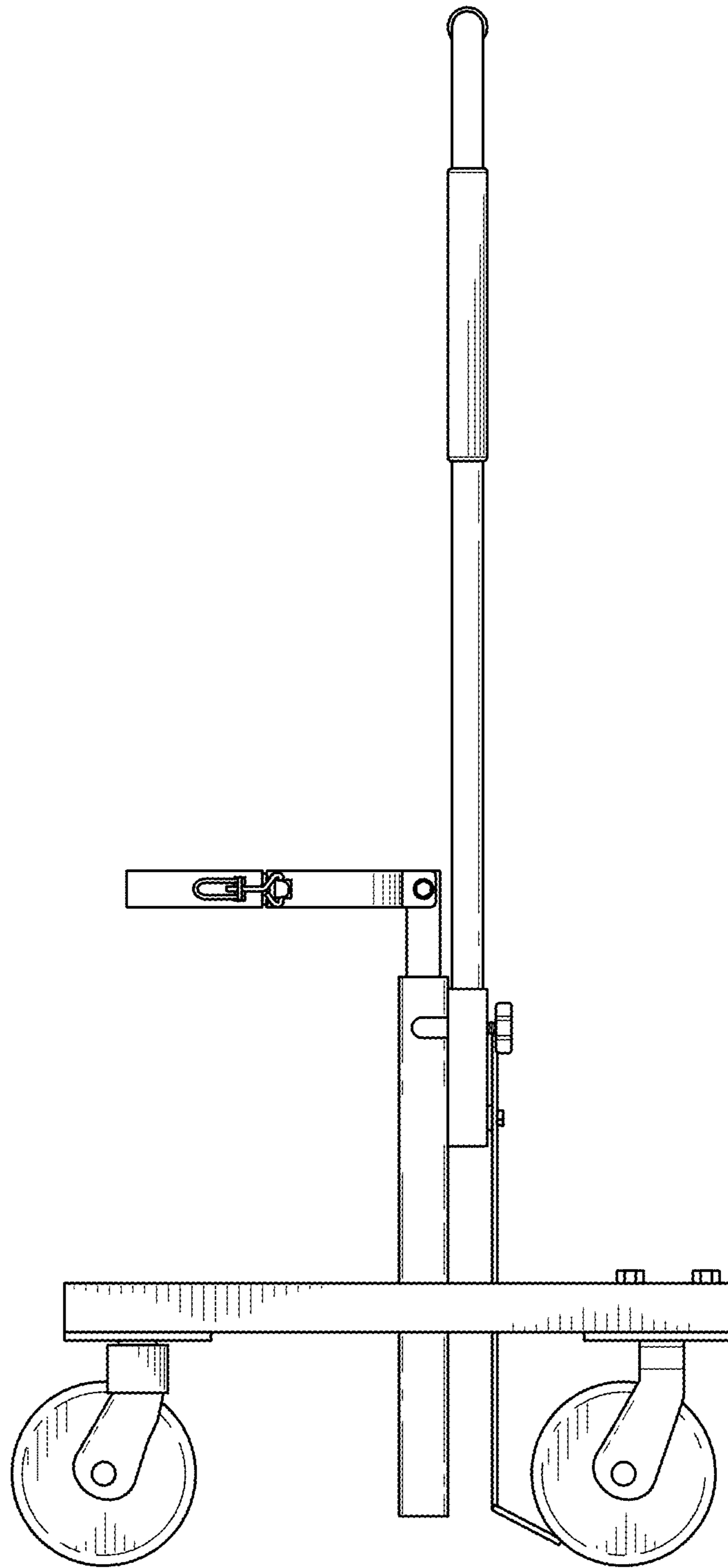


FIG. 4

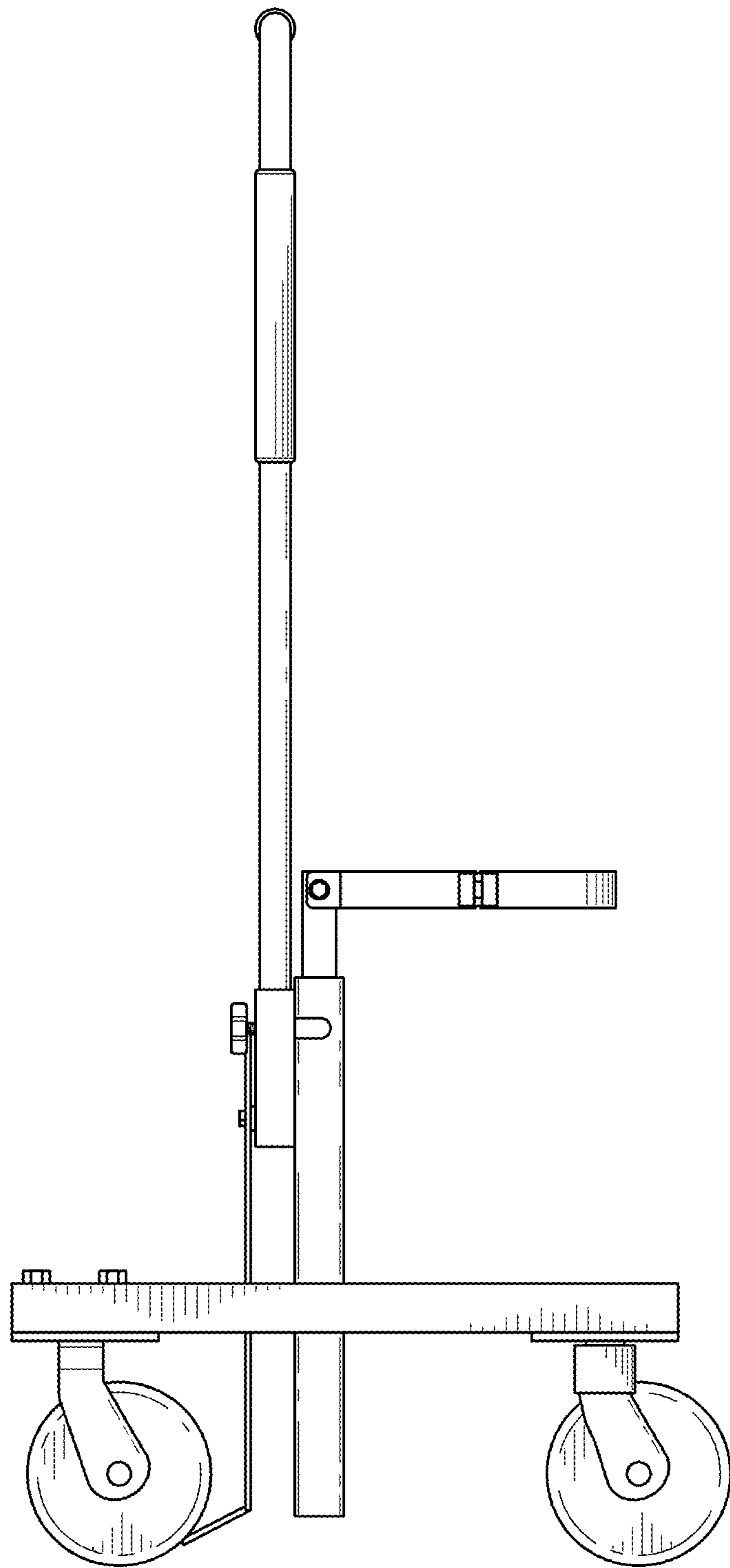


FIG. 5

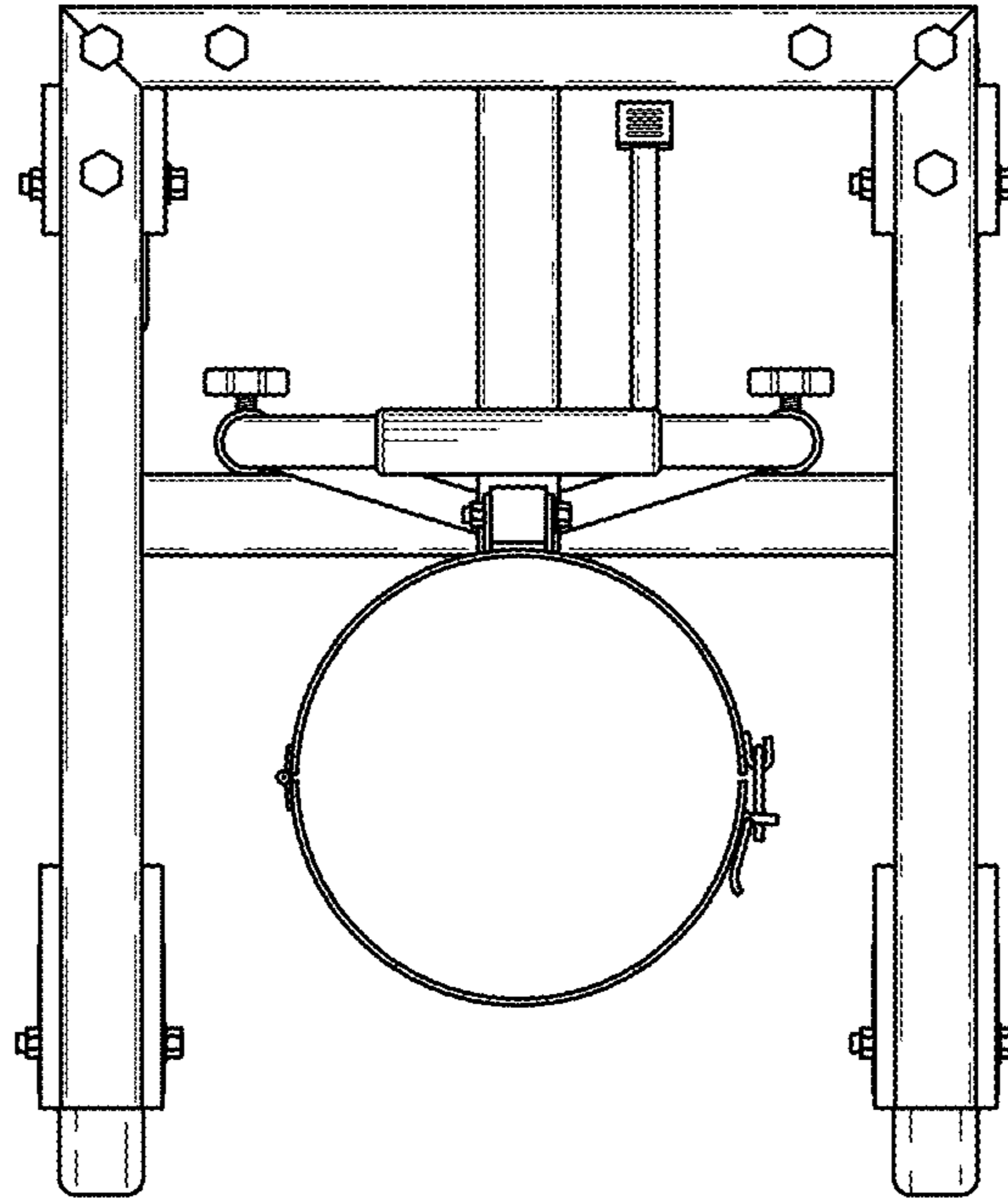


FIG. 6

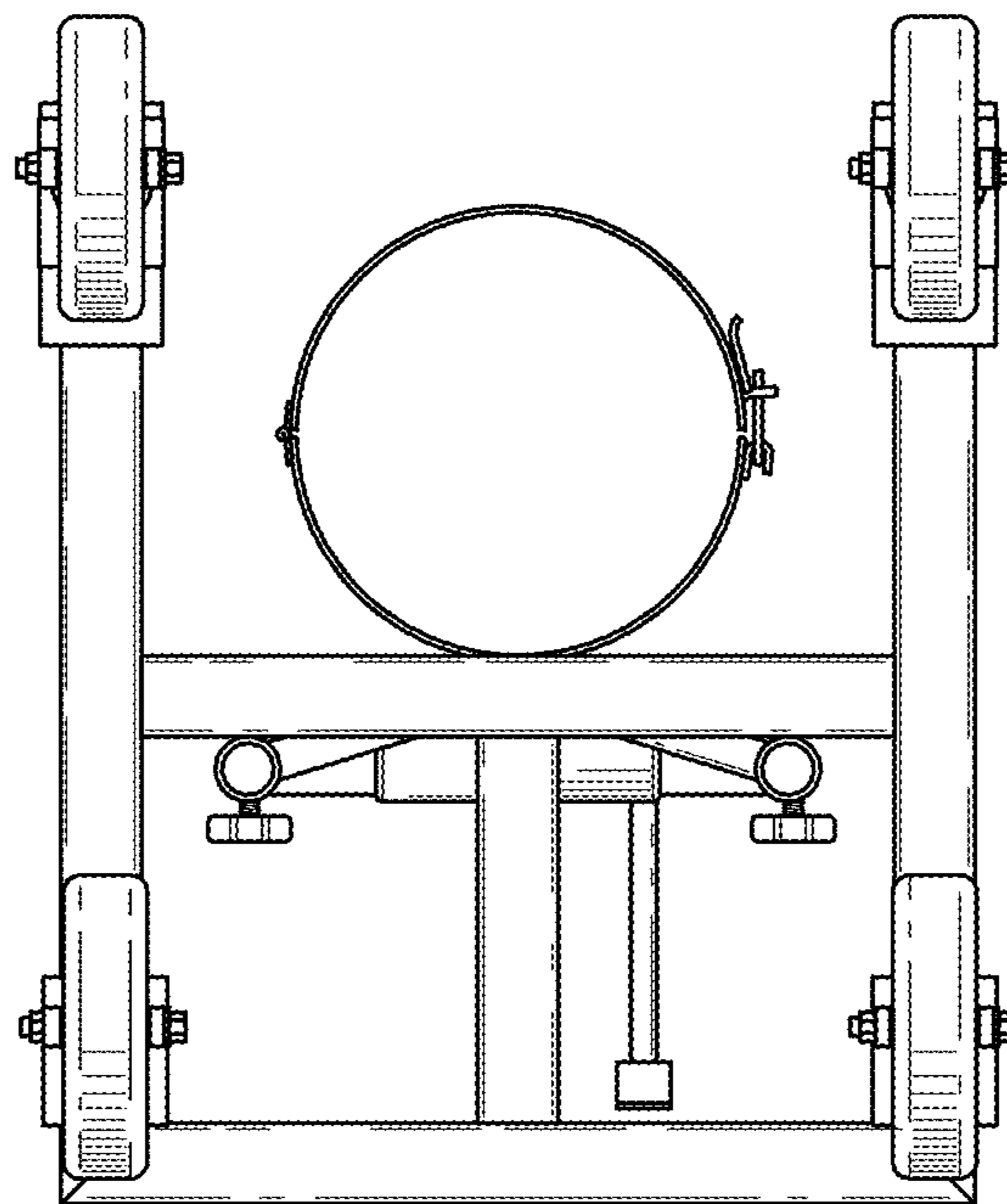


FIG. 7