



US00D771893S

(12) **United States Design Patent** (10) **Patent No.:** **US D771,893 S**  
**Del Rosario Roy et al.** (45) **Date of Patent:** **\*\* Nov. 15, 2016**

(54) **CONTAINER**  
(71) Applicant: **IPL INC.**, St-Damien (CA)  
(72) Inventors: **Daisy Del Rosario Roy**, Pintendre (CA); **Roch Nolet**, St-Joseph (CA)  
(73) Assignee: **IPL INC.**, St-Damien (CA)  
(\*\*) Term: **15 Years**  
(21) Appl. No.: **29/528,312**  
(22) Filed: **May 28, 2015**  
(51) **LOC (10) Cl.** ..... **09-09**  
(52) **U.S. Cl.**  
USPC ..... **D34/5**  
(58) **Field of Classification Search**  
USPC ..... D34/1-11; 220/908-913; 280/47.26  
CPC ..... B65F 1/06; B65F 1/1615; B65F 1/1607;  
B65F 1/062; B65F 1/08; B65F 1/163; B65F  
1/16  
See application file for complete search history.

2009/0223965 A1 9/2009 Raghunathan et al.  
2011/0049151 A1 3/2011 Raghunathan et al.  
2011/0049152 A1 3/2011 Raghunathan et al.  
2013/0048654 A1 2/2013 Kilduff et al.

**FOREIGN PATENT DOCUMENTS**

CA 2624658 9/2009  
CA 2624663 9/2009  
CA 2636306 9/2009

**OTHER PUBLICATIONS**

Cascade Waste and Recycling Carts; <http://www.cascadecartsolutions.com/products/waste-recycling-carts/icon-series>; Dec. 14, 2012.  
Otto Roll-out carts; <http://ottoenvironmentalsystems.thomasnet-navigator.com/category/residential-refuse-and-recycling-carts>; Dec. 14, 2012.  
Rehrig Roll-Out Carts; <http://www.rehrigpacific.com/products-and-services/waste-recycling-and-public-works/roll-out-carts-and-recycle-bins/roll-out-carts>; Dec. 14, 2012.

(Continued)

*Primary Examiner* — Cynthia Ramirez  
(74) *Attorney, Agent, or Firm* — Gwendoline Bruneau

(56) **References Cited**

**U.S. PATENT DOCUMENTS**

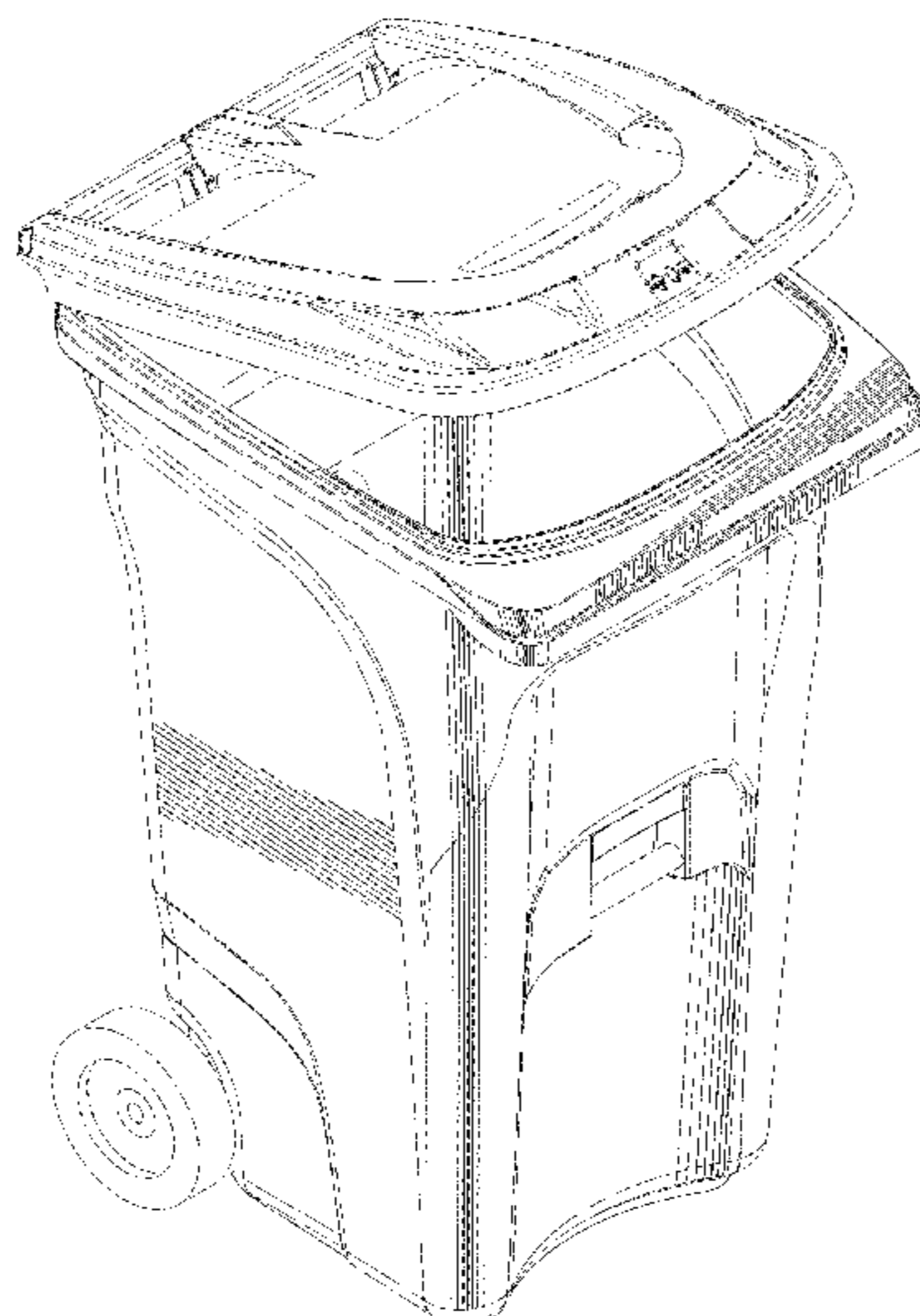
D291,739 S \* 9/1987 Orlowski ..... D34/5  
D313,491 S \* 1/1991 Edelhoff ..... D34/5  
D355,741 S \* 2/1995 Craft ..... D34/1  
D365,428 S \* 12/1995 Prout ..... D34/5  
D398,120 S \* 9/1998 Rehrig ..... D34/5  
D410,125 S \* 5/1999 Rehrig ..... D34/11  
D429,398 S \* 8/2000 Wysocki ..... D34/1  
D445,228 S \* 7/2001 Apps ..... D34/25  
D470,989 S \* 2/2003 Tuduri ..... D34/11  
D474,319 S \* 5/2003 Tuduri ..... D34/11  
D477,899 S \* 7/2003 Tuduri ..... D34/11  
7,070,064 B1 \* 7/2006 Henry ..... B65F 1/1623  
220/262  
7,172,088 B2 \* 2/2007 McDade ..... B65F 1/04  
220/23.87  
D707,907 S \* 6/2014 Nolet ..... D34/5  
D753,364 S \* 4/2016 Labrecque ..... D34/5  
2004/0074913 A1 4/2004 McDade et al.

(57) **CLAIM**  
The ornamental design for a container, as shown and described.

**DESCRIPTION**

FIG. 1 is a perspective view of a container showing our new design;  
FIG. 2 is a front view thereof;  
FIG. 3 is a side view thereof;  
FIG. 4 is a top view thereof; and,  
FIG. 5 is a rear view thereof.  
The broken lines shown in the figures are included for purpose of illustrating portions of the container and form no part of the claimed design.

**1 Claim, 5 Drawing Sheets**



(56)

**References Cited**

OTHER PUBLICATIONS

Schaefer 2 wheel containers; <http://www.ssi-schaefer.us/waste-management/waste-management-products/2-wheel-containers.html>; Dec. 14, 2012.

Sulo; Two-wheeled roll-out cart; <http://www.sulo.com.au/products/two-wheeled-2-wheelie-bin-mgb/>; Dec. 14, 2012.

Toter Curbside Collection Carts, roll-out carts; [http://www.toter.com/products/product-detail.cfm?product\\_id=F5949571-A635-17A8-0DBCEC04461A60F9](http://www.toter.com/products/product-detail.cfm?product_id=F5949571-A635-17A8-0DBCEC04461A60F9); Dec. 14, 2012.

\* cited by examiner

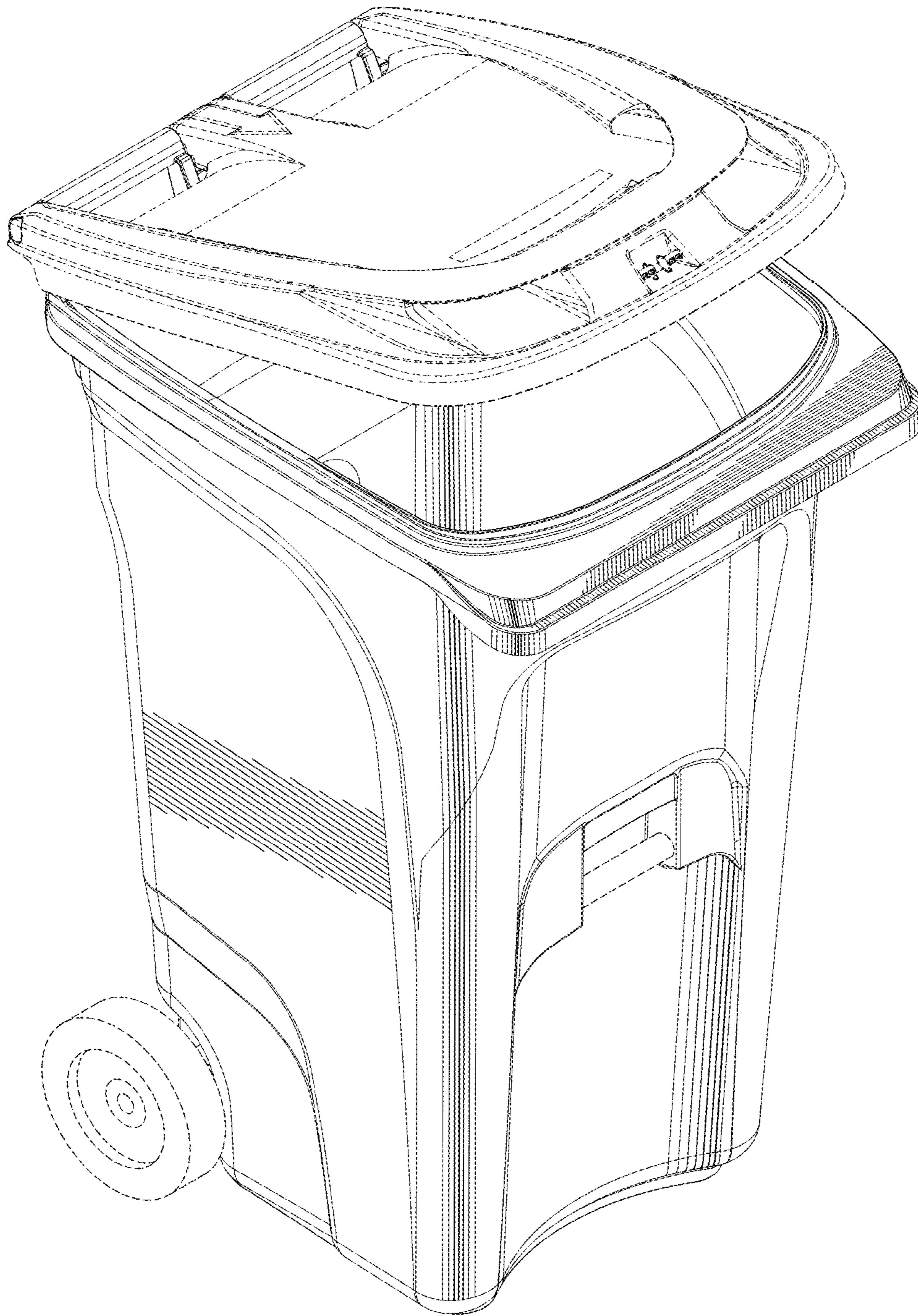


FIG. 1

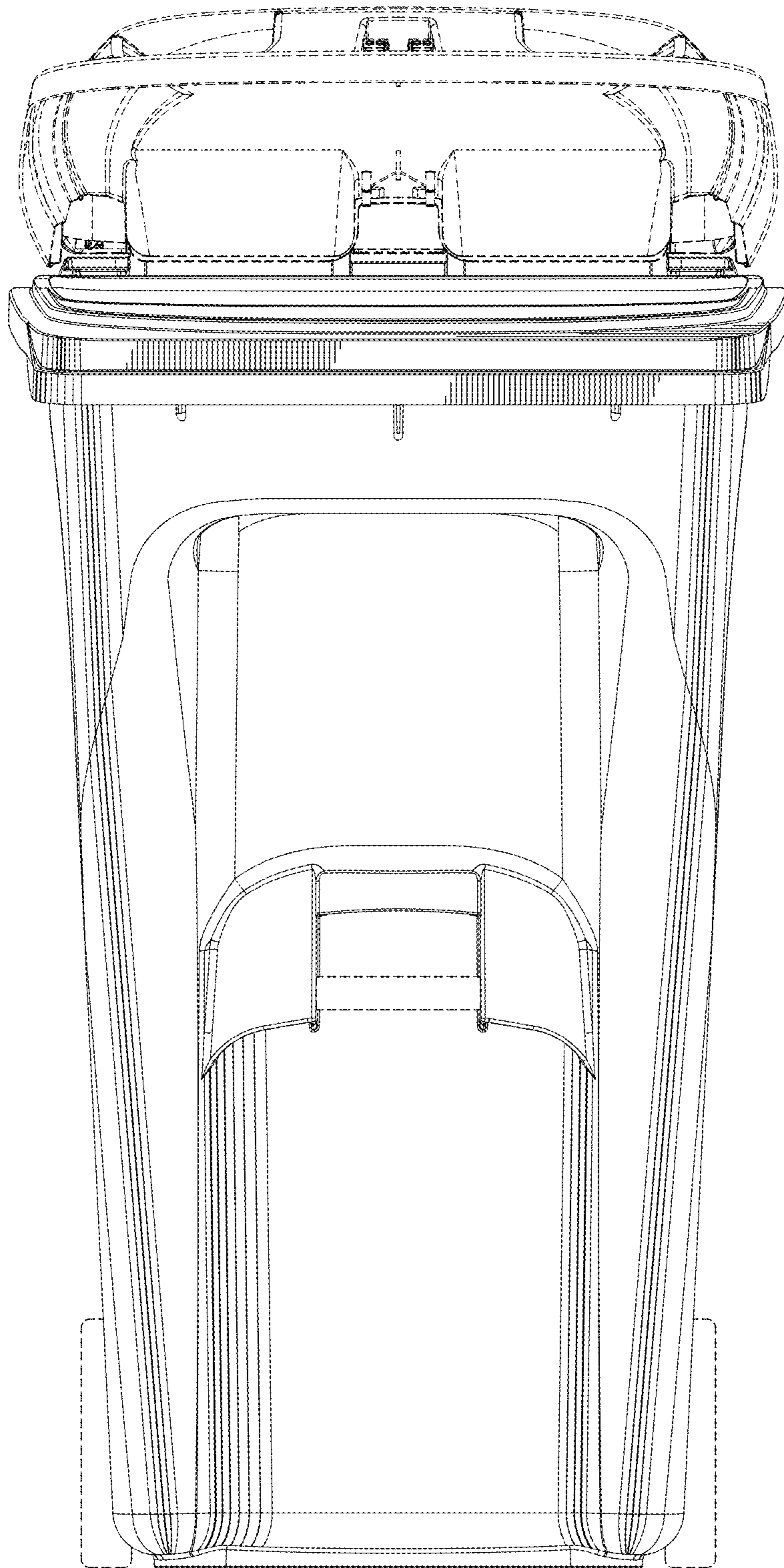


FIG. 2

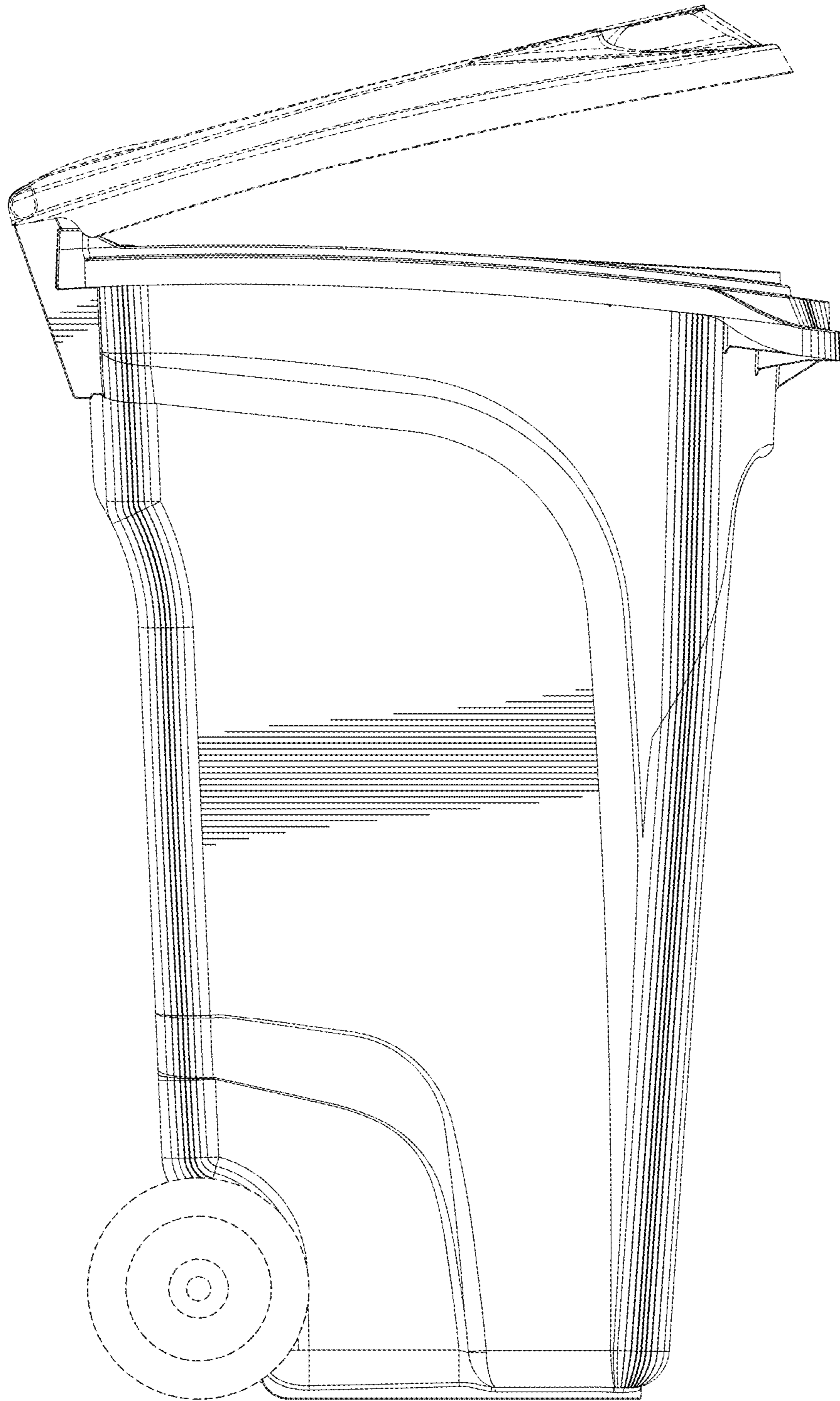


FIG. 3

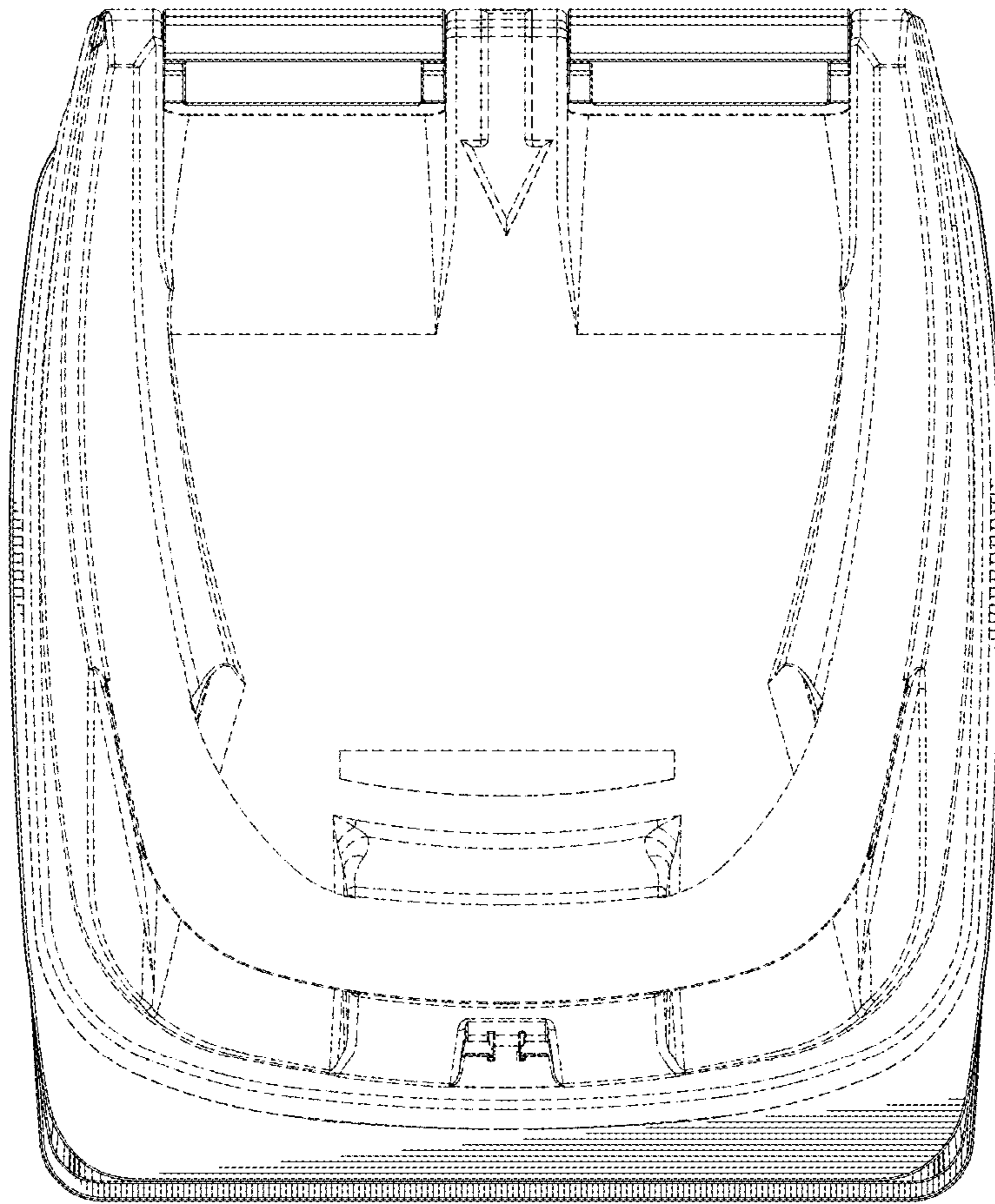


FIG. 4

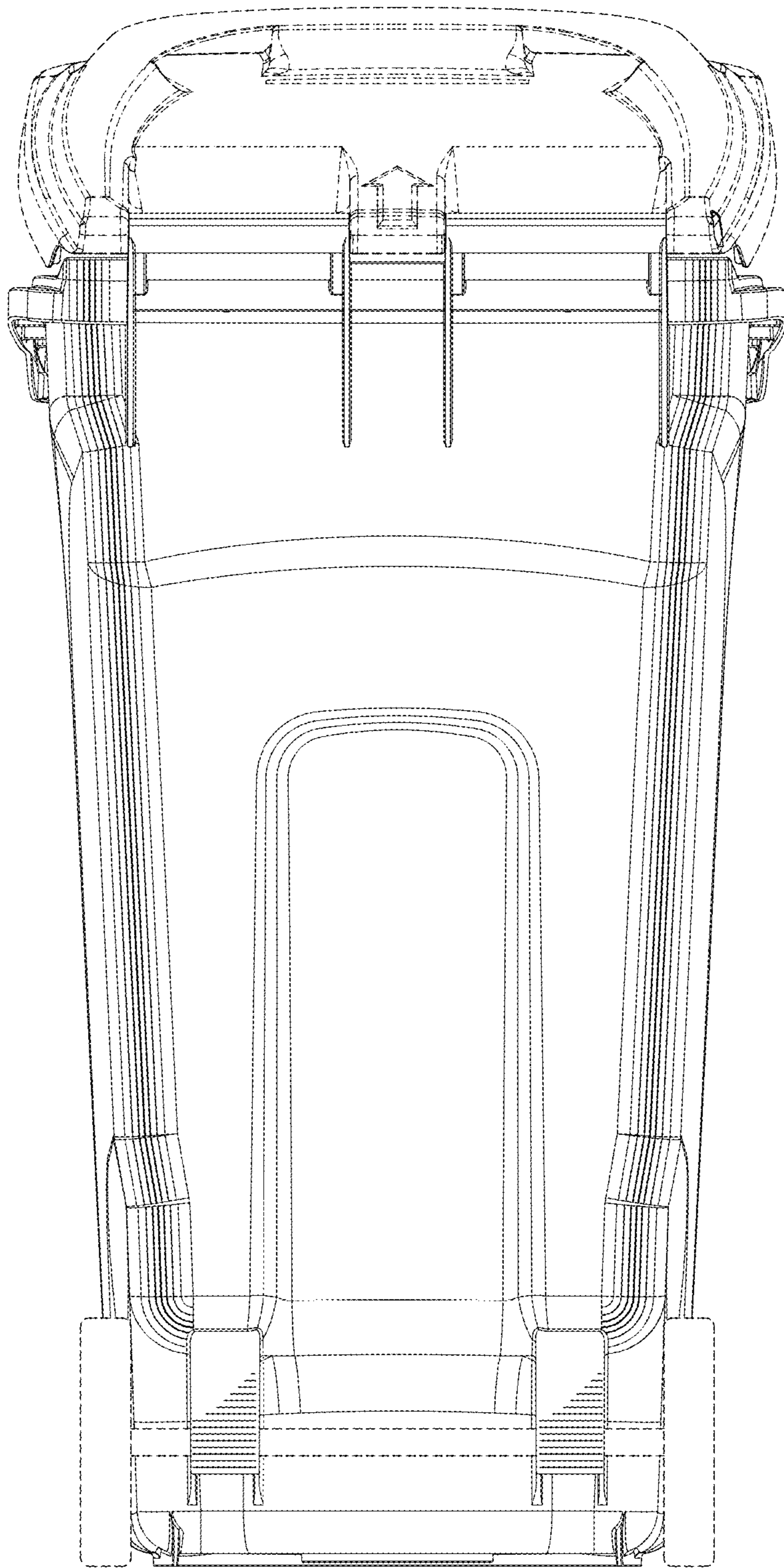


FIG. 5