



US00D771891S

(12) **United States Design Patent** (10) **Patent No.:** **US D771,891 S**
Bennett et al. (45) **Date of Patent:** **** Nov. 15, 2016**

(54) **ICE AND SNOW SCRAPER**
(71) Applicant: **HOPKINS MANUFACTURING CORPORATION**, Emporia, KS (US)
(72) Inventors: **Kyle M. Bennett**, Emporia, KS (US); **Vicki L. Shuss**, Emporia, KS (US)
(73) Assignee: **Hopkins Manufacturing Corporation**, Emporia, KS (US)
(**) Term: **15 Years**
(21) Appl. No.: **29/545,617**
(22) Filed: **Nov. 13, 2015**
(51) **LOC (10) Cl.** **04-01**
(52) **U.S. Cl.**
USPC **D32/46**
(58) **Field of Classification Search**
USPC D8/33, 47, 90, 93; D32/40-42, 46-49; D4/118, 199
CPC A01G 23/12; A47L 13/02; A47L 13/08; A47J 43/288; B24B 23/04; B26B 5/00; B26B 1/08; B23D 79/00
See application file for complete search history.

(56) **References Cited**

U.S. PATENT DOCUMENTS

1,592,950 A * 7/1926 McClain A47L 13/08
15/236.01
D154,526 S * 7/1949 Woofter D3/210
2,719,316 A * 10/1955 Hauser A47L 13/08
15/105
2,770,826 A * 11/1956 Curfman A47L 1/08
15/236.02
D188,096 S * 6/1960 Jorgensen D32/49
2,946,076 A * 7/1960 Morgan A47L 1/16
15/145
D241,498 S * 9/1976 Smith D32/49
D243,060 S * 1/1977 Graham D32/49
4,275,476 A * 6/1981 Hopkins B60S 3/045
15/236.02
D279,415 S * 6/1985 Osrow D26/38
4,706,385 A * 11/1987 Iten A47L 13/08
30/169

4,719,660 A * 1/1988 Hopkins B60S 3/045
15/105
D307,206 S * 4/1990 Boyd D32/46
D337,436 S * 7/1993 Hopkins D32/42
D344,617 S * 2/1994 Farmer D32/49
D373,863 S * 9/1996 Shepherd D32/42
D378,322 S * 3/1997 Young D32/42

(Continued)

FOREIGN PATENT DOCUMENTS

CN 301772153 * 12/2011
EM 002366427-0001 * 12/2013

OTHER PUBLICATIONS

Amazon.com: Rocky Mountain Ice Scraper, review date Jan. 27, 2015, https://www.amazon.com/Mountain-Scraper-Durable-Scraping-Windshields/dp/B00R6XAM0C/ref=cm_cr_arp_d_product_top?ie=UTF8, [site visited Jul. 22, 2016 8:03:02 PM].*

(Continued)

Primary Examiner — John Windmuller
Assistant Examiner — John R Yeh
(74) *Attorney, Agent, or Firm* — Hovey Williams LLP

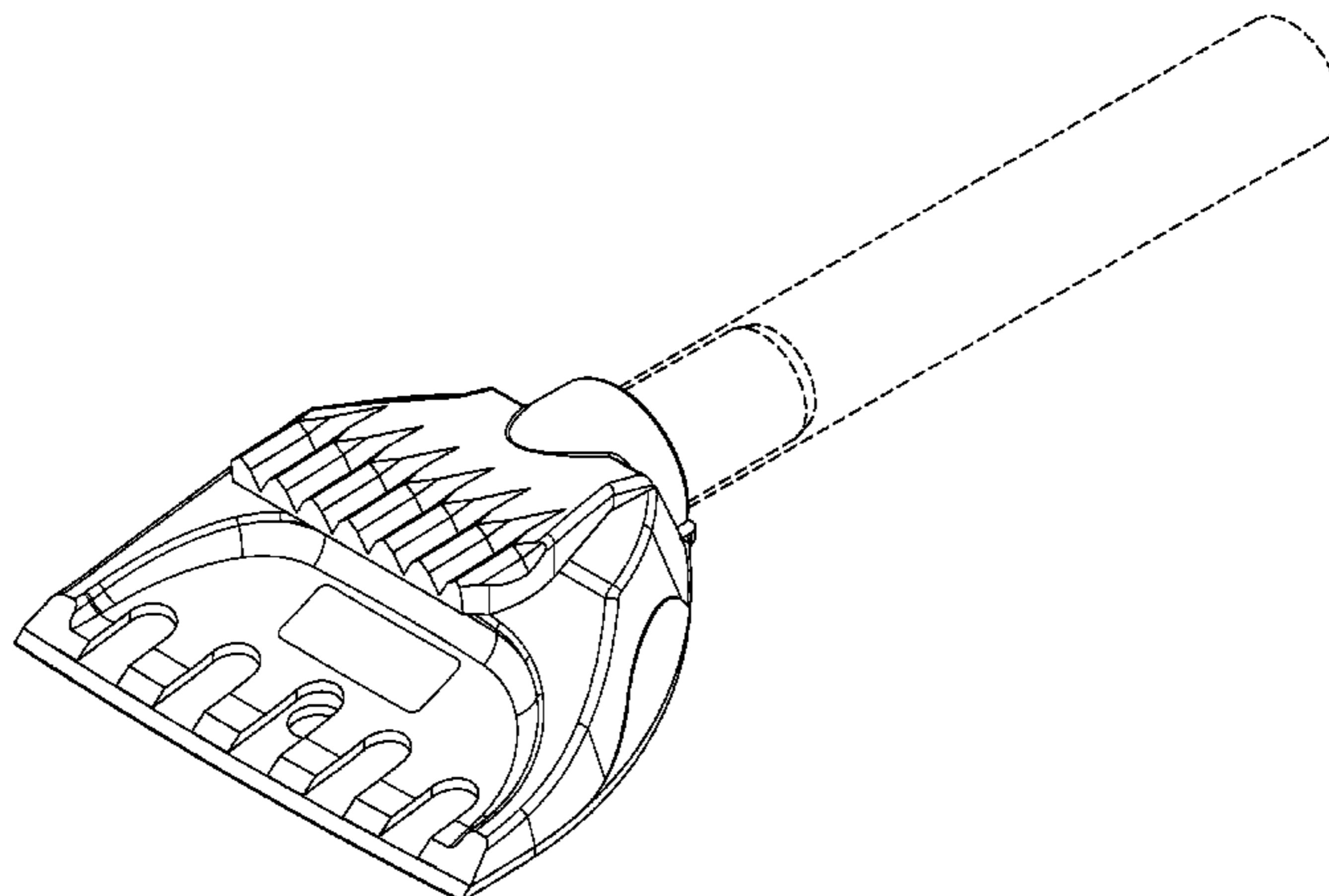
(57) **CLAIM**

We claim the ornamental design for an ice and snow scraper, as shown and described.

DESCRIPTION

FIG. 1 is a top, front perspective view of our design for an ice and snow scraper;
FIG. 2 is a top, rear perspective view thereof;
FIG. 3 is a bottom, front perspective view thereof;
FIG. 4 is a top plan view thereof;
FIG. 5 is a bottom plan view thereof;
FIG. 6 is a side elevational view thereof;
FIG. 7 is a front end view thereof; and,
FIG. 8 is a rear end view thereof.
The broken lines in the figures illustrate portions of the ice and snow scraper that form no part of the claimed design.

1 Claim, 6 Drawing Sheets



(56)

References Cited

U.S. PATENT DOCUMENTS

D422,125 S * 3/2000 Sneed D32/49
6,243,906 B1 * 6/2001 Holliday A46B 15/0055
15/111
D459,847 S * 7/2002 Ingram D32/49
D485,034 S * 1/2004 Anderson D32/49
D498,891 S * 11/2004 Sickler D32/46
D562,000 S * 2/2008 Liu D4/118
D570,063 S * 5/2008 Manak D32/49
D750,380 S * 3/2016 Blouin D4/118
D751,781 S * 3/2016 Blouin D32/46

OTHER PUBLICATIONS

Amazon.com: BirdRock Home 55" Extendable Snow MOOver and Ice Scraper, review date Feb. 9, 2016, <https://www.amazon.com/>

BirdRock-Home-Extendable-MOOver-Scraper/dp/B01AU4D4JE/ref=cm_cr_ar_p_d_product_top?ie=UTF8#customerReviews, [site visited Jul. 22, 2016 8:07:21 PM].*
Amazon.com: Hopkins 14015 Subzero 54" Avalanche Pivoting Snowbroom, review date Jan. 9, 2014, site visited Jul. 22, 2016, https://www.amazon.com/14015-Subzero-Avalanche-Pivoting-Snowbroom/dp/B004HA4S3E/ref=sr_1_97?ie=UTF8&qid=1469232621&sr=8-97&keywords=ice+snow+scraper.*
Amazon.com: DU-HA 70085 Reach E-Z Ice Scraper, review date May 8, 2012, https://www.amazon.com/DU-HA-70085-Reach-E-Z-Scraper/dp/B002UYWBYC/ref=sr_1_239?ie=UTF8&qid=1469233817&sr=8-239&keywords=ice+snow+scraper#customerReviews, [site visited Jul. 22, 2016 8:31:41 PM].*

* cited by examiner

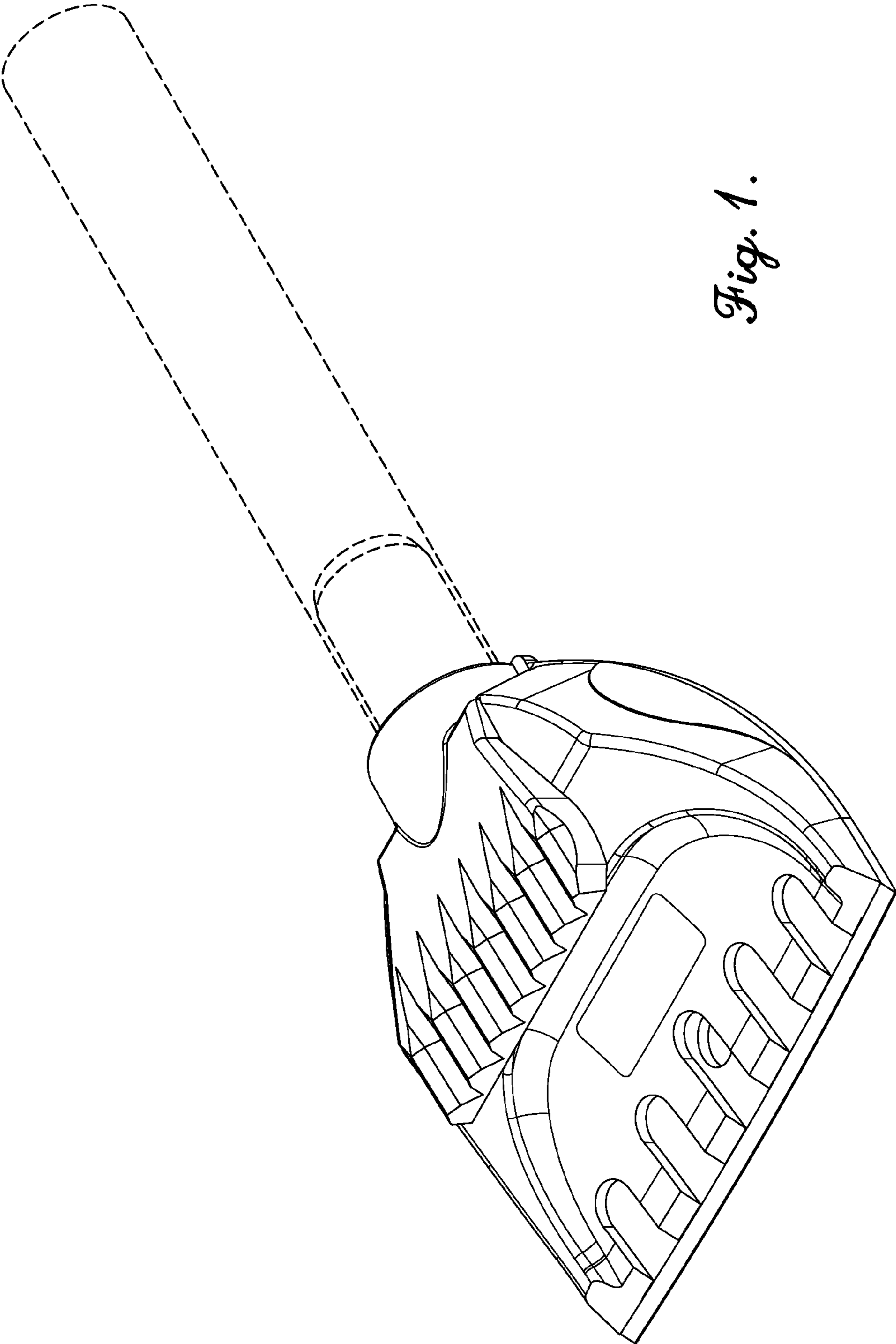


Fig. 1.

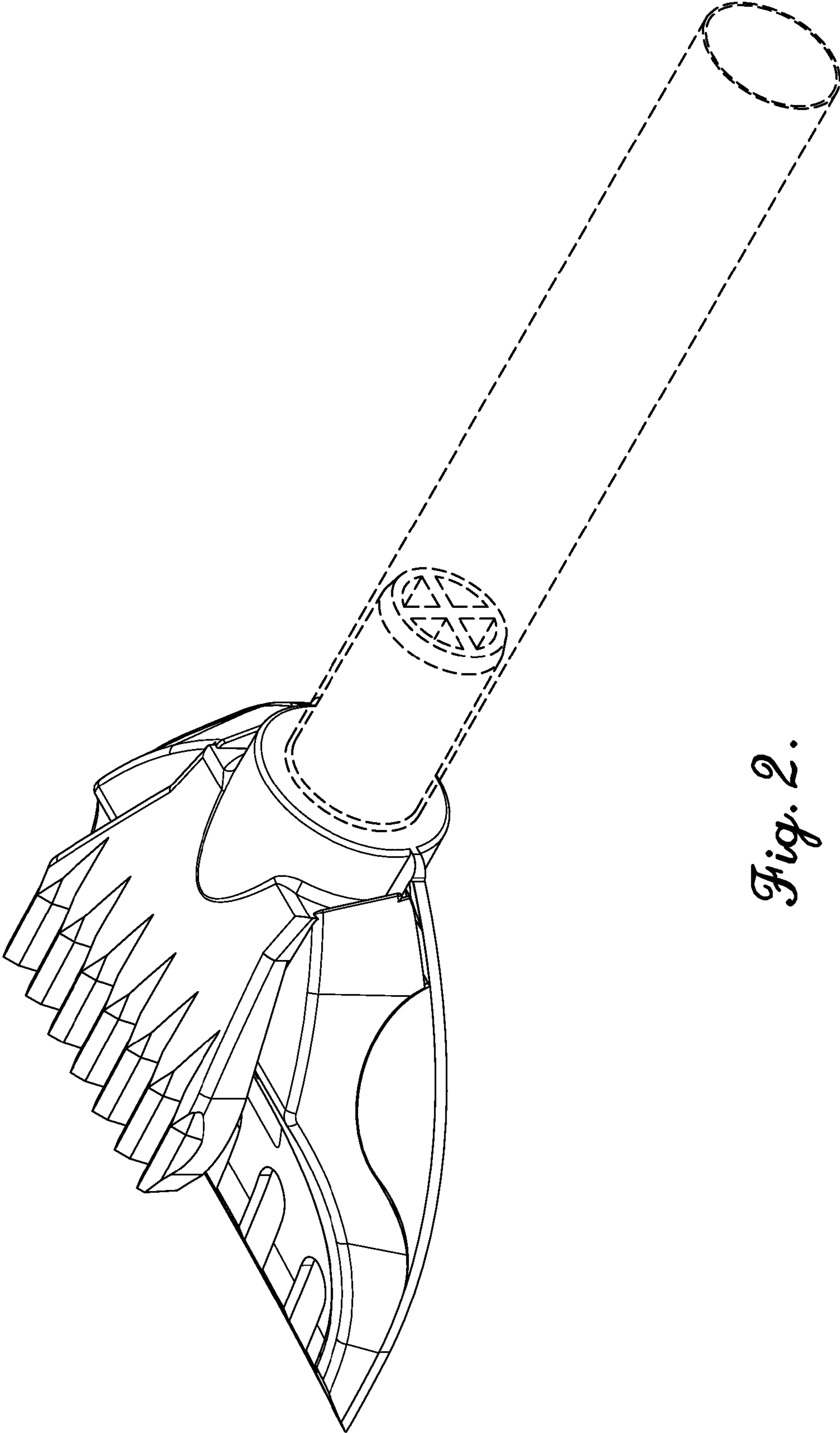


Fig. 2.

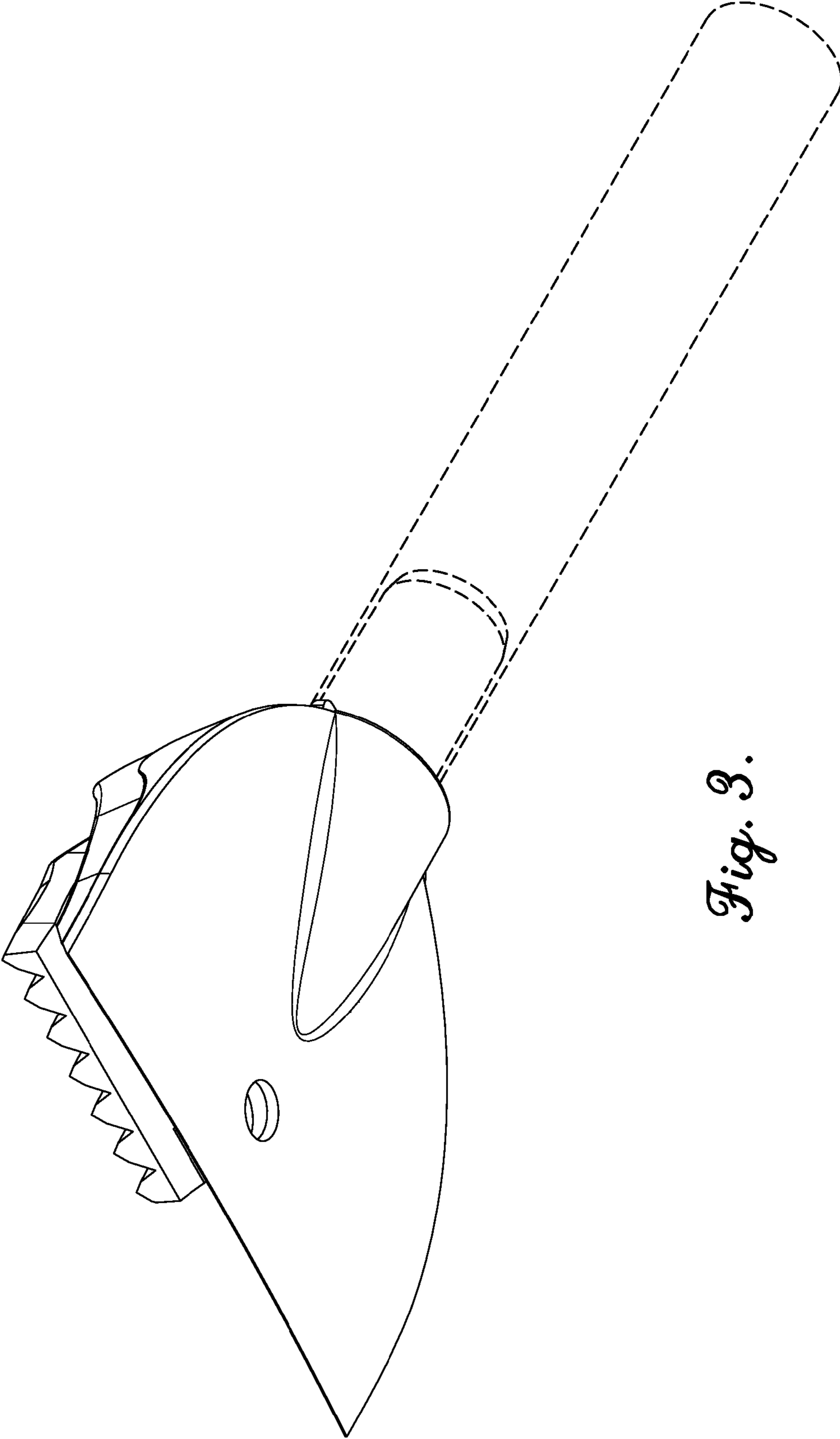


Fig. 3.

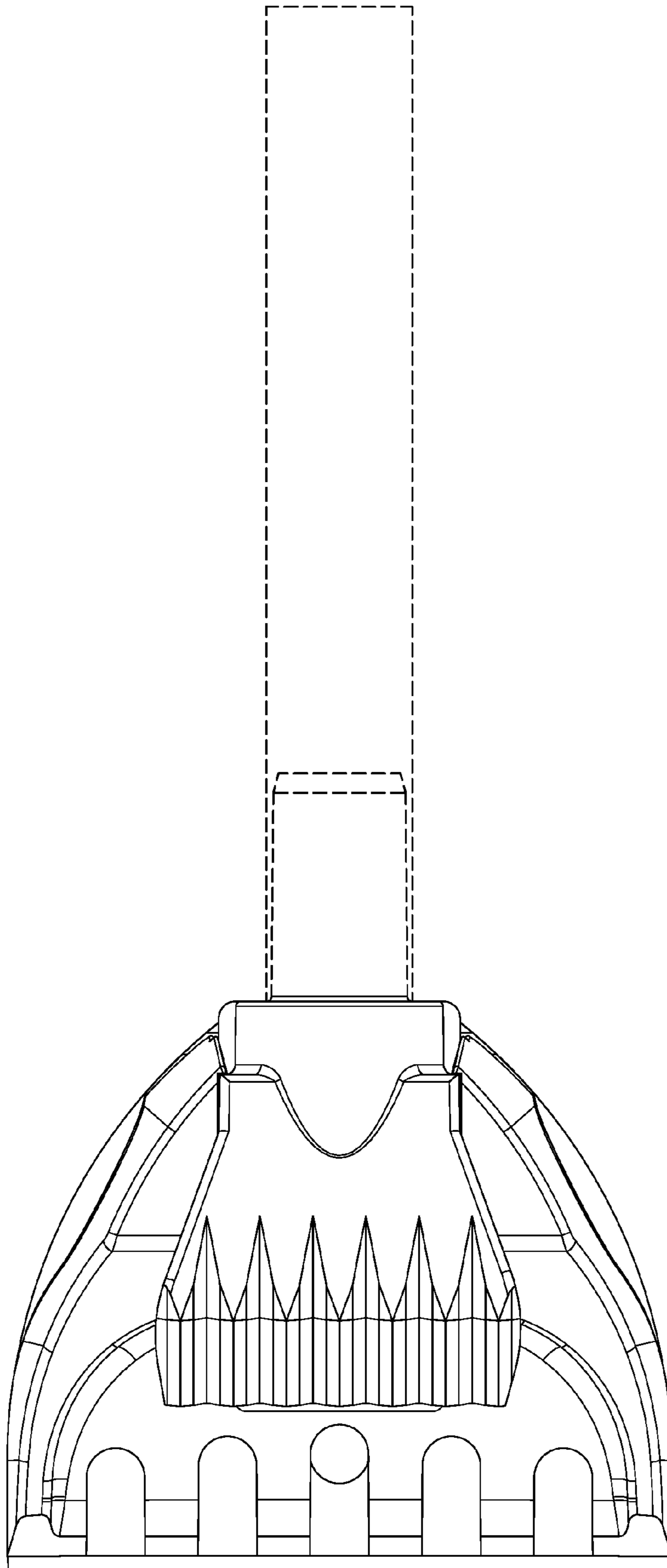


Fig. 4.

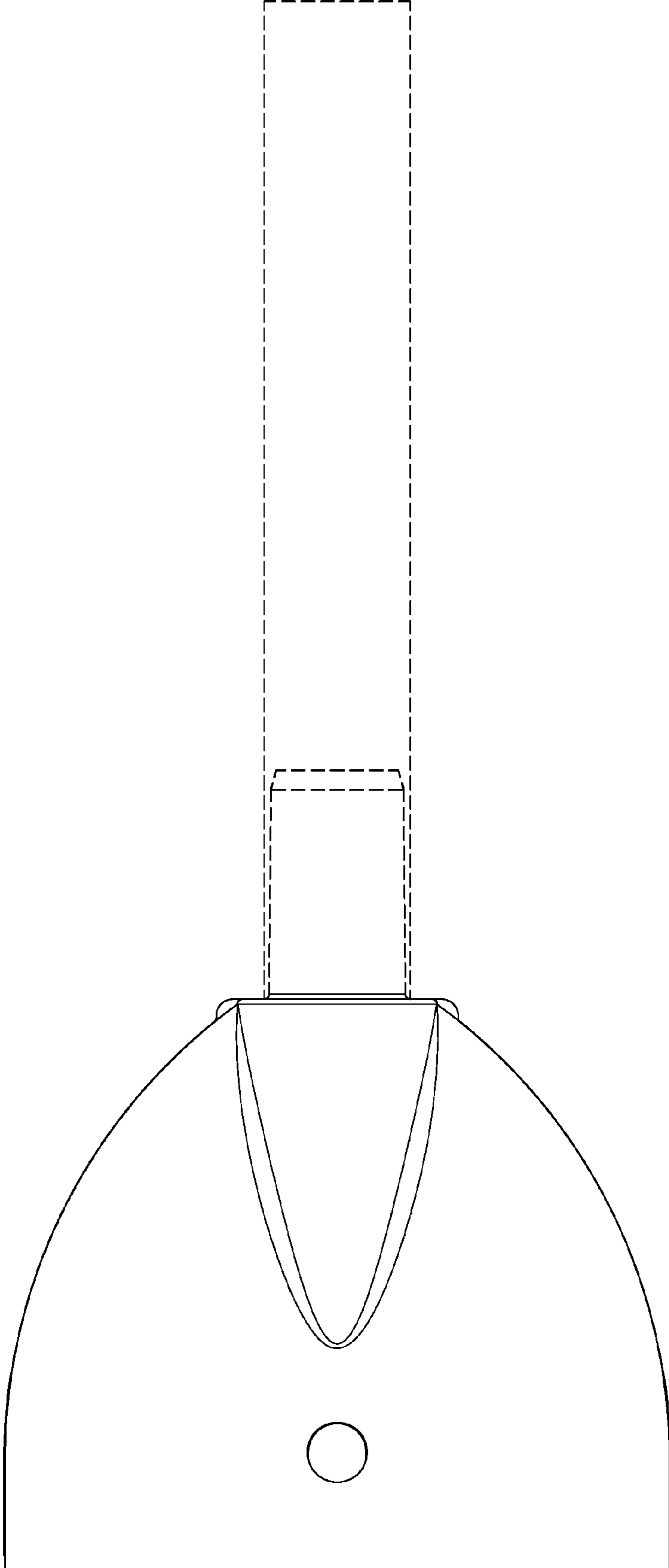


Fig. 5.

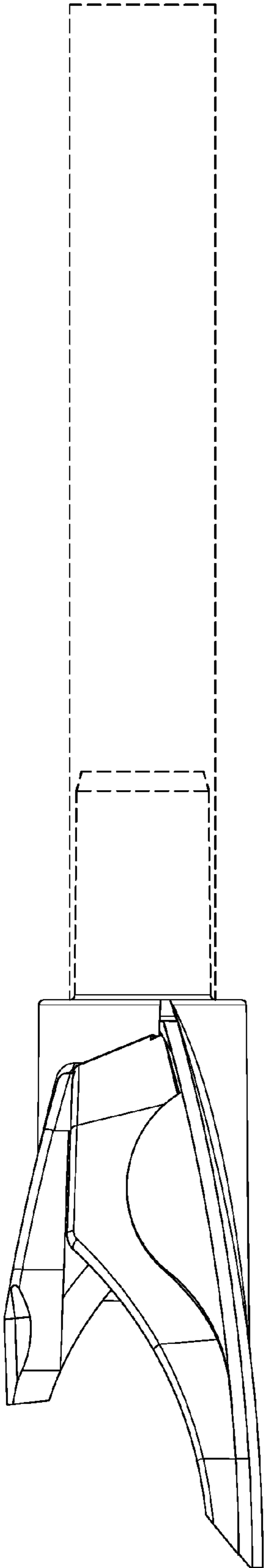


Fig. 6.

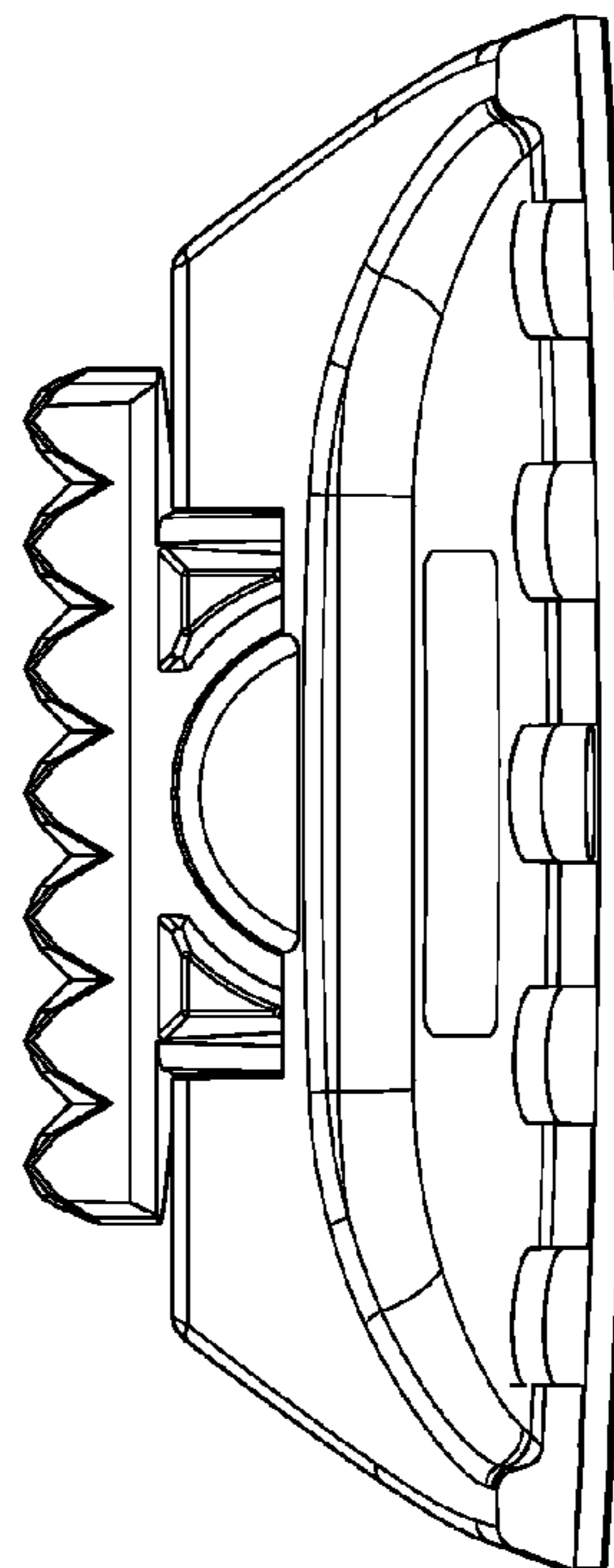


Fig. 7.

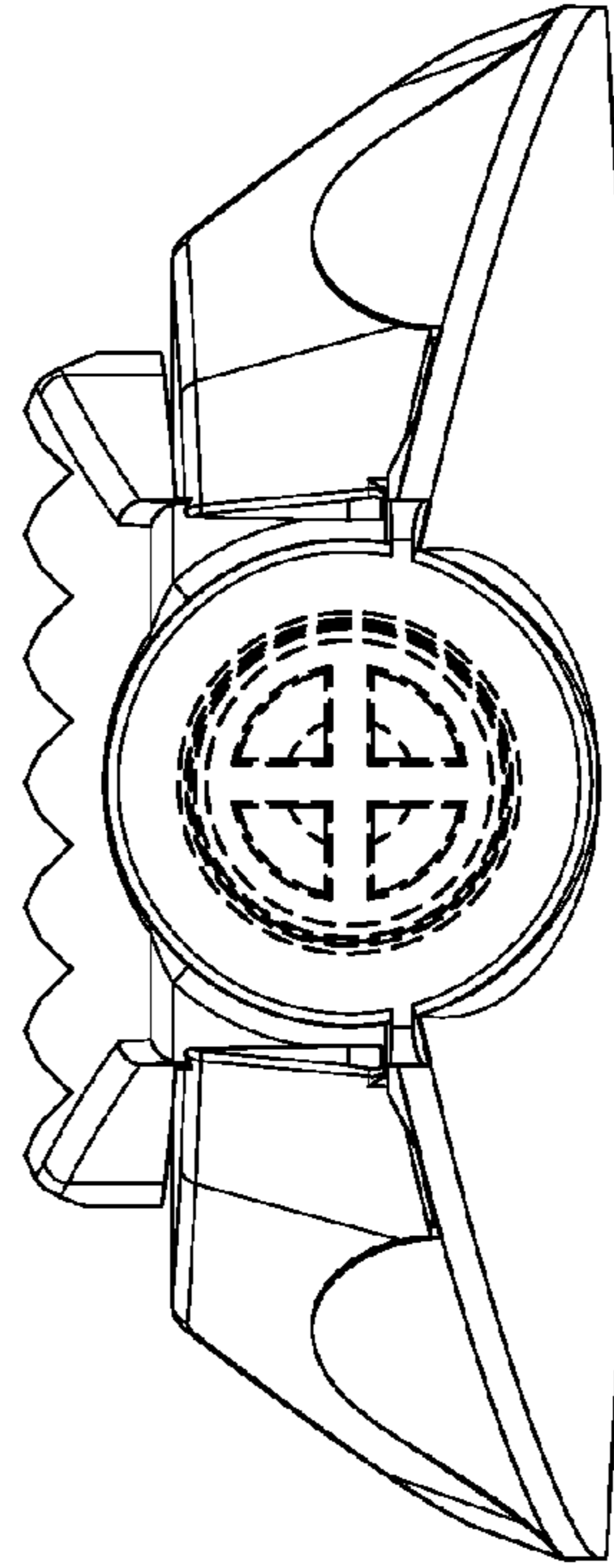


Fig. 8.