



US00D771889S

(12) **United States Design Patent**
Woloszczuk

(10) **Patent No.:** **US D771,889 S**

(45) **Date of Patent:** **** Nov. 15, 2016**

(54) **DUST COLLECTOR**

(71) Applicant: **Luke Woloszczuk**, Mount Hope (CA)

(72) Inventor: **Luke Woloszczuk**, Mount Hope (CA)

(**) Term: **14 Years**

(21) Appl. No.: **29/507,046**

(22) Filed: **Oct. 23, 2014**

(51) **LOC (10) Cl.** **15-05**

(52) **U.S. Cl.**
USPC **D32/31**

(58) **Field of Classification Search**
USPC D32/18, 21, 23, 31
CPC . A47L 9/2842; A47L 9/2857; A47L 9/2836;
A47L 9/2847; A47L 9/2852; A47L 9/16;
G06N 3/008; E04H 4/1654
See application file for complete search history.

(56) **References Cited**

U.S. PATENT DOCUMENTS

D264,087 S *	4/1982	Bennett	D32/23
5,090,976 A *	2/1992	Dyson	A47L 9/1418
				55/337
D324,930 S *	3/1992	Pino	D32/23
D338,294 S *	8/1993	Kohler	D32/23
D351,695 S *	10/1994	Martinez	D32/23
D367,342 S *	2/1996	Langeland	D32/23
6,383,383 B1 *	5/2002	Novak	B01D 29/055
				210/304

D517,757 S *	3/2006	Santiago	D32/31
D568,011 S *	4/2008	Lee	D32/23
D632,037 S *	2/2011	Carr	D32/31
D718,009 S *	11/2014	Sun	D32/31
2004/0148914 A1 *	8/2004	Lim	A47L 9/102
				55/429
2007/0011997 A1 *	1/2007	Han	A47L 9/1641
				55/337
2012/0180255 A1 *	7/2012	Park	A47L 5/365
				15/353
2013/0009371 A1 *	1/2013	Martinez	A47L 9/009
				280/79.2

* cited by examiner

Primary Examiner — Ruth McInroy

(57) **CLAIM**

The ornamental design for a dust collector, as shown and described.

DESCRIPTION

FIG. 1 is a front view of a dust collector showing my new design;
 FIG. 2 is a rear view thereof;
 FIG. 3 is a top view thereof;
 FIG. 4 is a bottom view thereof;
 FIG. 5 is a partial cross-sectional view taken along line 5-5 in the top portion of FIG. 3; and,
 FIG. 6 is a partial cross-sectional view taken along line 6-6 in the bottom portion of FIG. 4.
 The details shown in broken lines form no part of the claimed design.

1 Claim, 2 Drawing Sheets

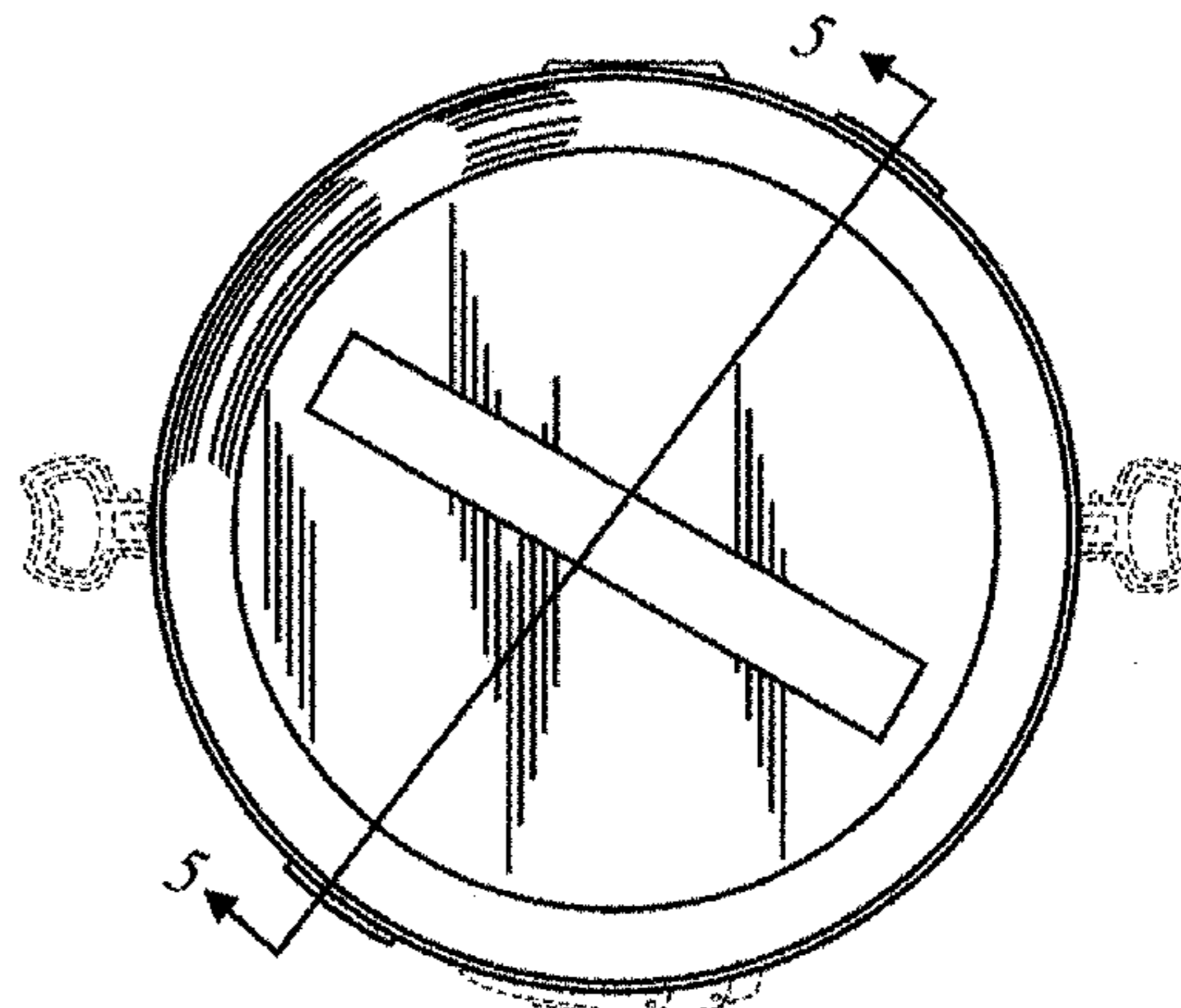
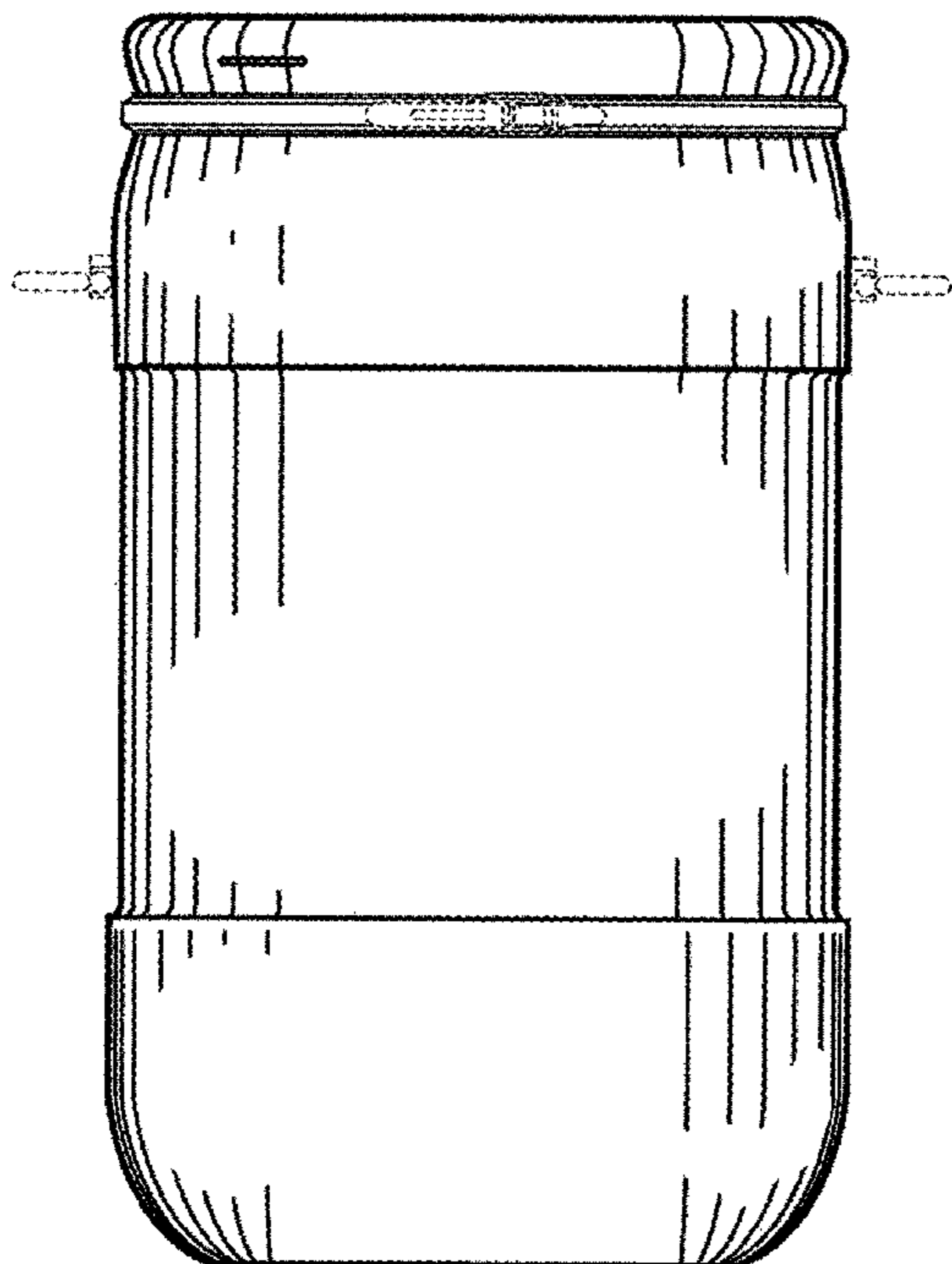


fig. - 2

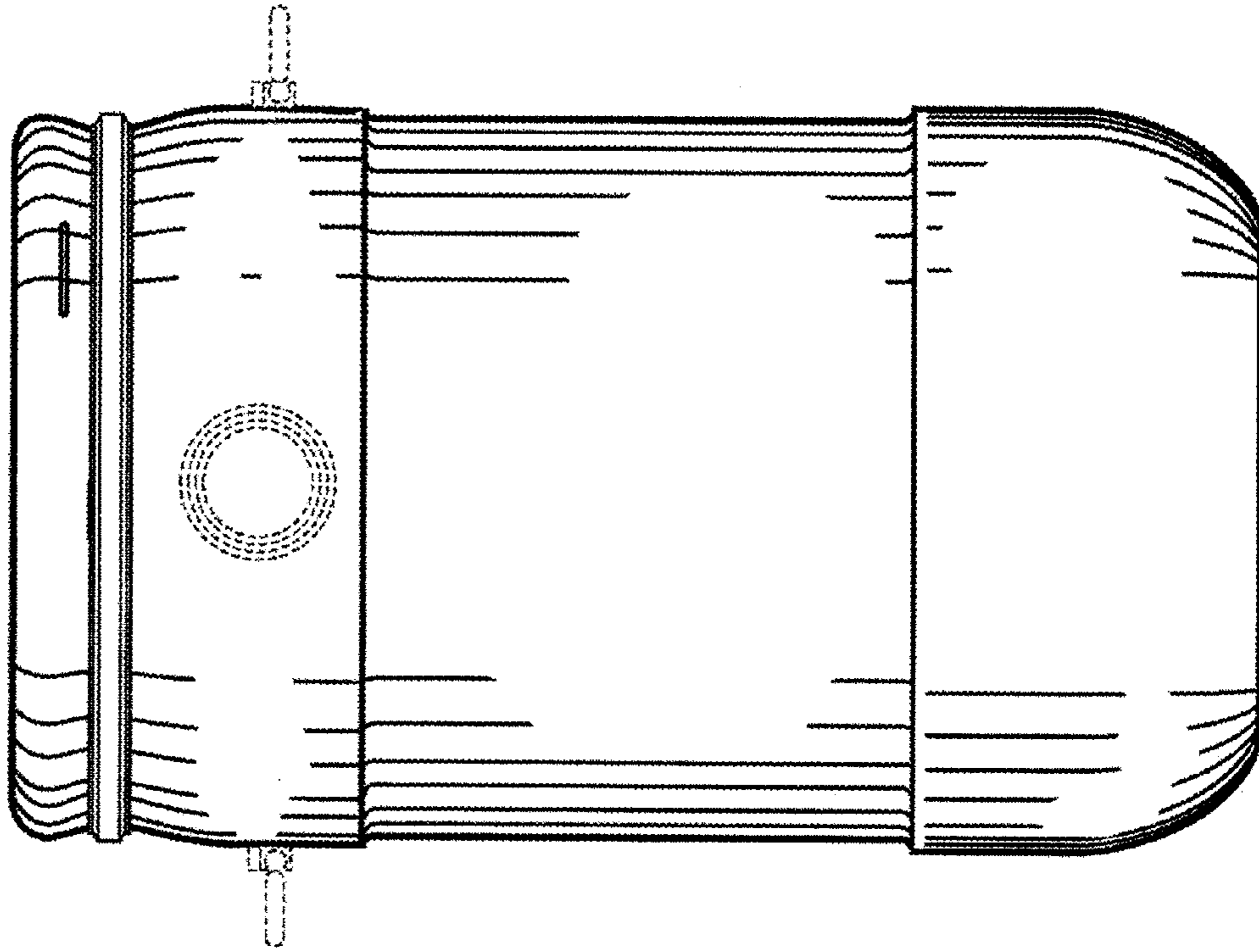


fig. - 1

