



US00D771887S

(12) **United States Design Patent**
Kim et al.

(10) **Patent No.:** **US D771,887 S**

(45) **Date of Patent:** **** Nov. 15, 2016**

(54) **WASHING MACHINE**

(71) Applicant: **Samsung Electronics Co., Ltd.**,
Suwon-si (KR)

(72) Inventors: **Kangdoo Kim**, Seoul (KR); **Minhyouk Bu**, Seoul (KR)

(73) Assignee: **SAMSUNG ELECTRONICS CO., LTD.** (KR)

(**) Term: **15 Years**

(21) Appl. No.: **29/538,588**

(22) Filed: **Sep. 4, 2015**

(30) **Foreign Application Priority Data**

Mar. 4, 2015 (KR) 30-2015-0011020

(51) **LOC (10) Cl.** **15-05**

(52) **U.S. Cl.**
USPC **D32/28**

(58) **Field of Classification Search**
USPC D32/1-6, 8, 10, 25, 28; 312/228, 228.1,
312/236, 294, 326; 68/3 R, 5 R, 235 R, 196,
68/212; 34/108, 130-132, 595-597; 8/137
CPC A47B 96/00; D06F 39/022; D06F 39/14;
D06F 39/028; D06F 33/02; D06F 37/28;
D06F 58/00

See application file for complete search history.

(56) **References Cited**

U.S. PATENT DOCUMENTS

D495,453 S * 8/2004 Baldwin D32/8
7,096,601 B2 * 8/2006 Lyu D06F 29/00
34/595
7,373,737 B2 * 5/2008 Lyu D06F 29/00
34/595
D606,715 S * 12/2009 Matsusaki D32/5
D640,020 S * 6/2011 Helot D32/5
D688,427 S * 8/2013 Meda D32/6

D718,505 S * 11/2014 Hyounsub D32/28
D729,996 S * 5/2015 Hwang D32/6
D731,132 S * 6/2015 Ha D32/28
D739,097 S * 9/2015 Qin D32/6
D739,098 S * 9/2015 Qin D32/6
D744,179 S * 11/2015 Lee D32/28
D746,521 S * 12/2015 Ha D32/6
D749,804 S * 2/2016 Ha D32/6
D749,807 S * 2/2016 Ha D32/28
D756,047 S * 5/2016 Choi D32/25
D759,909 S * 6/2016 Kim D32/6
D759,916 S * 6/2016 Choi D32/28
D759,917 S * 6/2016 Choi D32/28
D759,918 S * 6/2016 Choi D32/28
D760,458 S * 6/2016 Choi D32/28
2006/0225302 A1 * 10/2006 Lyu D06F 29/00
34/595
2009/0133283 A1 * 5/2009 Ricklefs D06F 58/28
34/476
2011/0221313 A1 * 9/2011 Stegerwald A47L 15/4251
312/215
2013/0047346 A1 * 2/2013 Im D06F 39/008
8/137

(Continued)

Primary Examiner — Rosemary K Tarcza

Assistant Examiner — Yolanda Robinson

(74) *Attorney, Agent, or Firm* — Cantor Colburn LLP

(57) **CLAIM**

The ornamental design for a washing machine, as shown and described.

DESCRIPTION

FIG. 1 is a perspective view of a washing machine, showing our new design;

FIG. 2 is a front view thereof;

FIG. 3 is a rear view thereof;

FIG. 4 is a side view thereof;

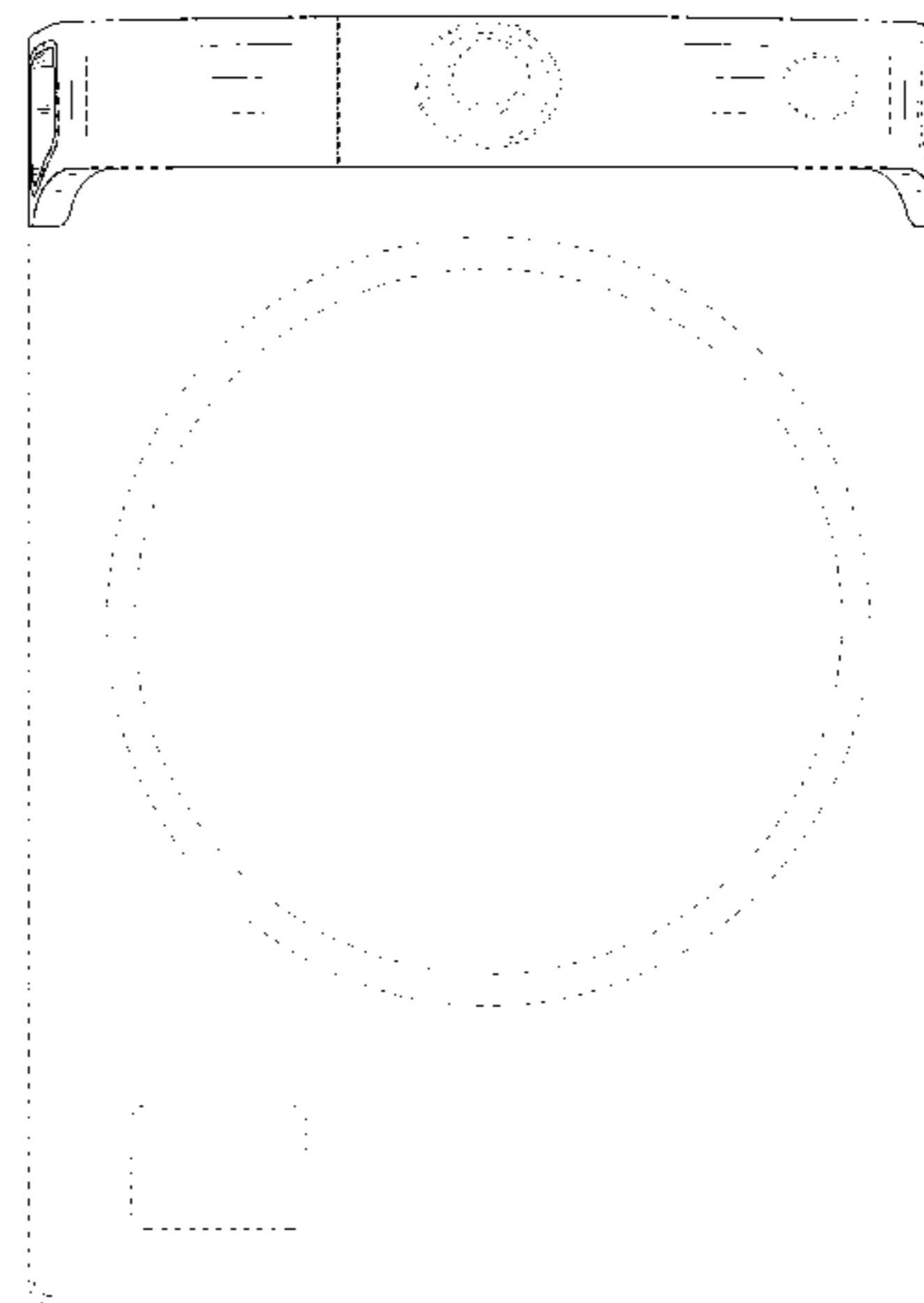
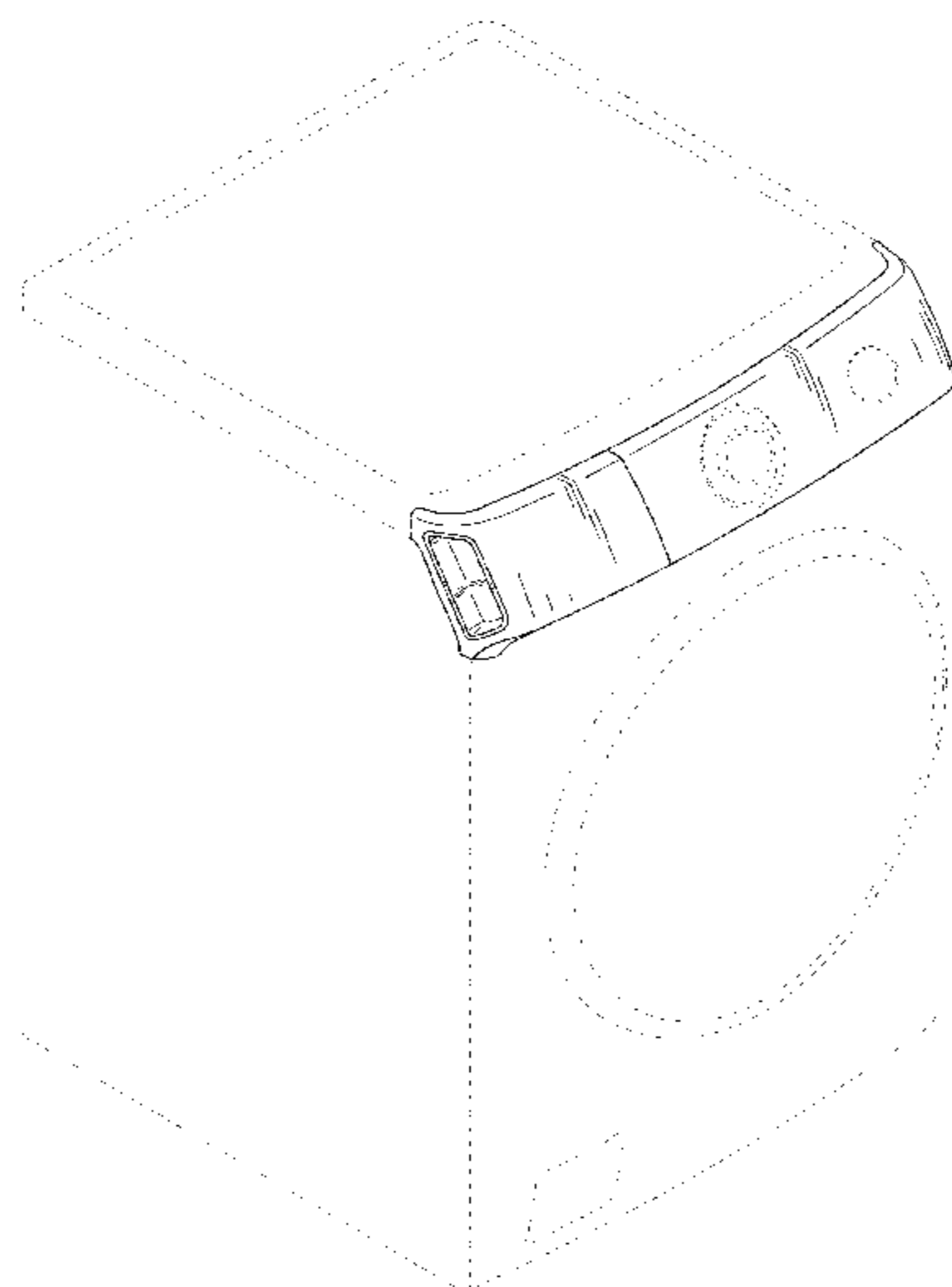
FIG. 5 is another side view thereof;

FIG. 6 is a top view thereof; and,

FIG. 7 is a bottom view thereof.

The broken lines illustrating portions of the washing machine form no part of the claimed design.

1 Claim, 7 Drawing Sheets



(56)

References Cited

U.S. PATENT DOCUMENTS

2013/0145563 A1* 6/2013 Kang D06F 39/004
8/137
2014/0115793 A1* 5/2014 Hamin D06F 33/02
8/137

2016/0053422 A1* 2/2016 Im D06F 39/085
8/137
2016/0053423 A1* 2/2016 Lee D06F 37/10
8/137
2016/0053428 A1* 2/2016 Ros D06F 58/22
34/82

* cited by examiner

FIG. 1

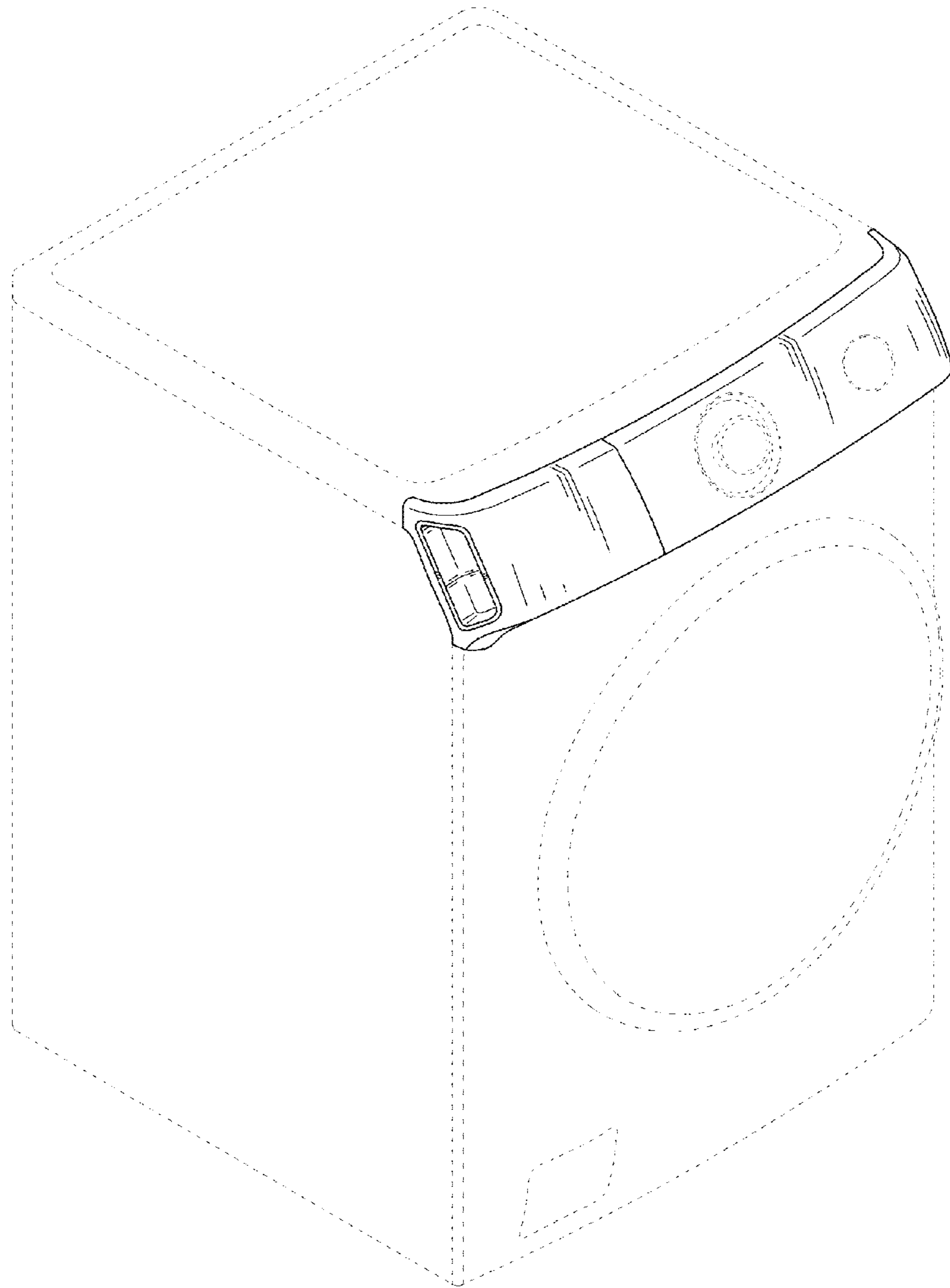


FIG. 2

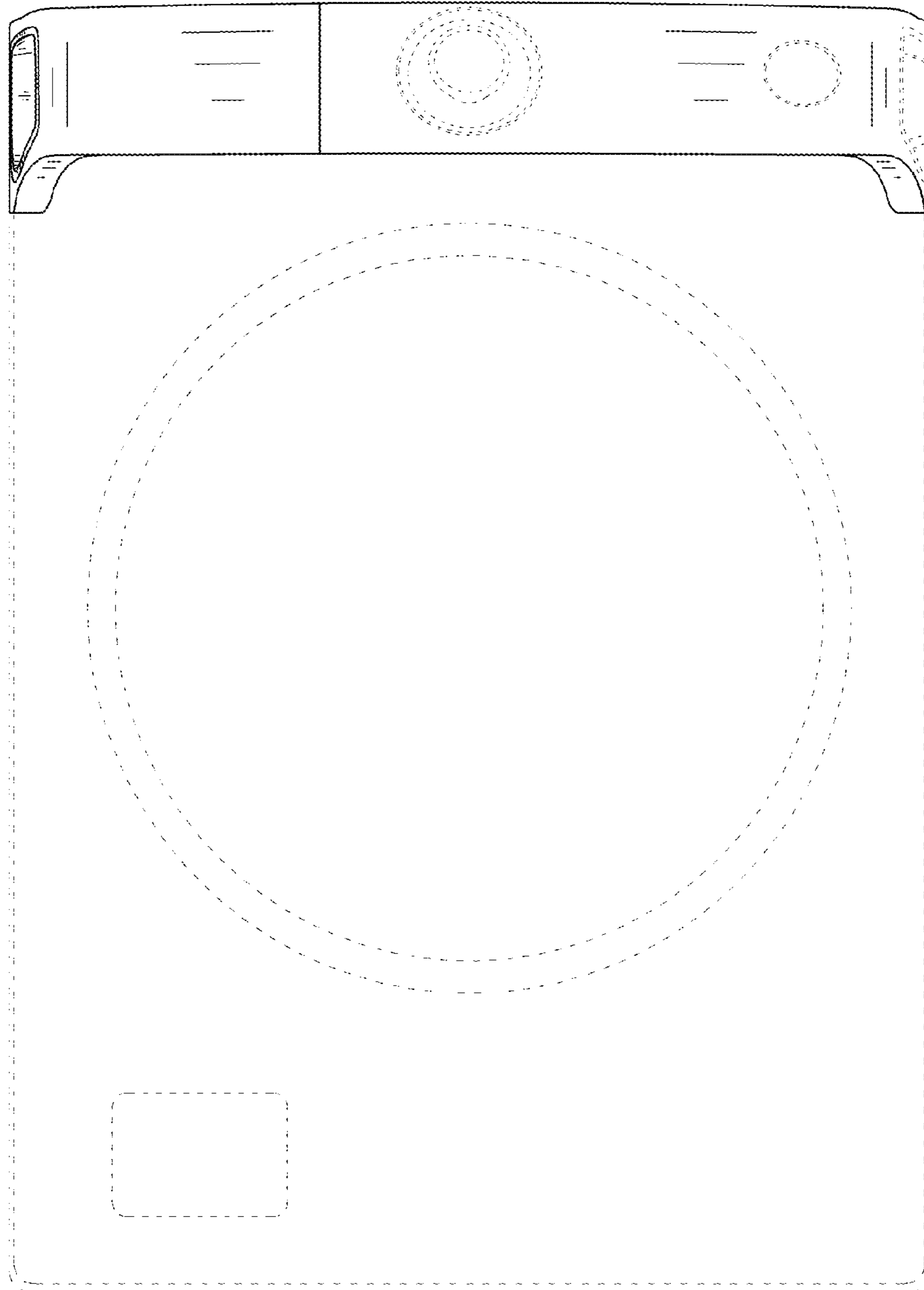


FIG. 3



FIG. 4

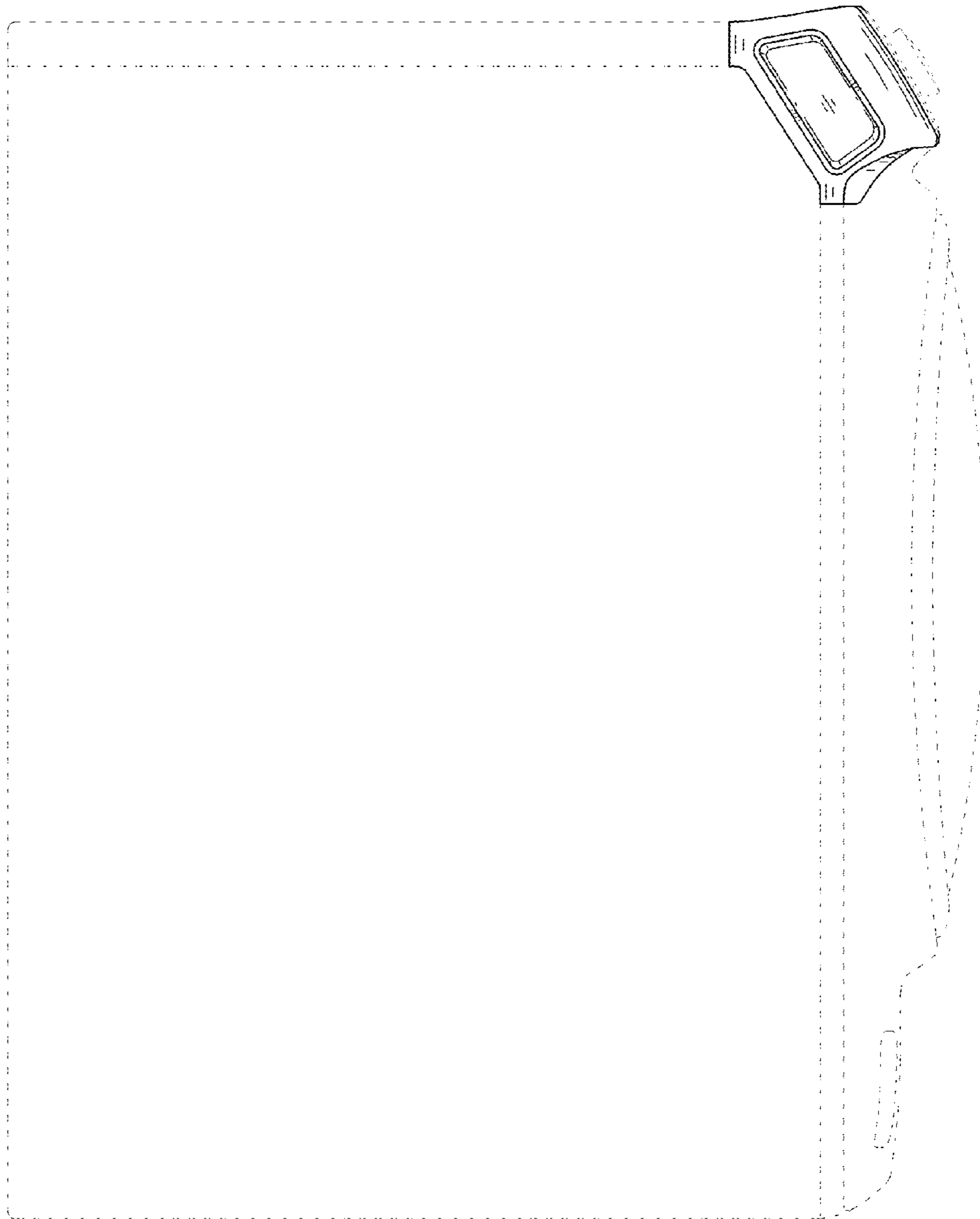


FIG. 5

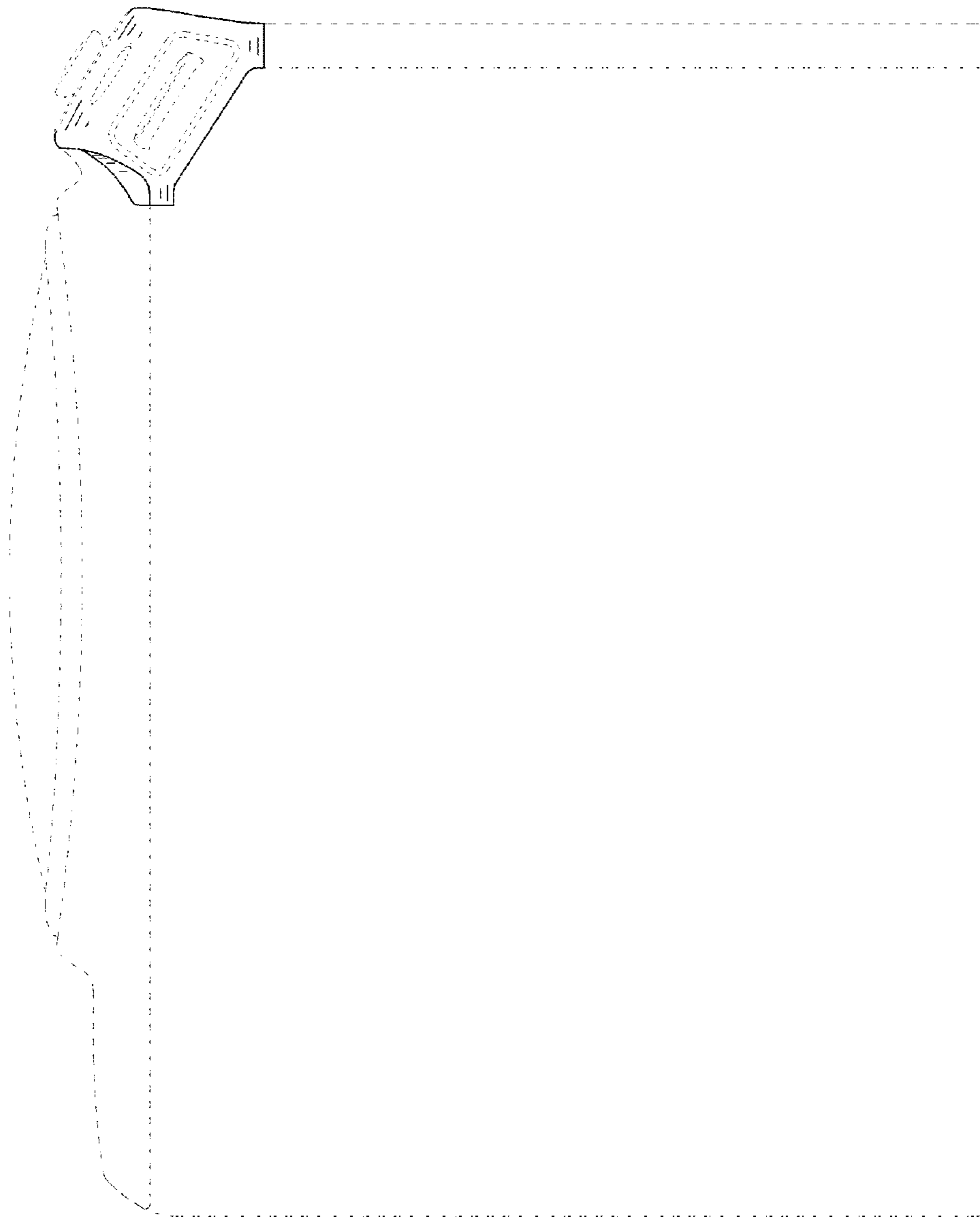


FIG. 6

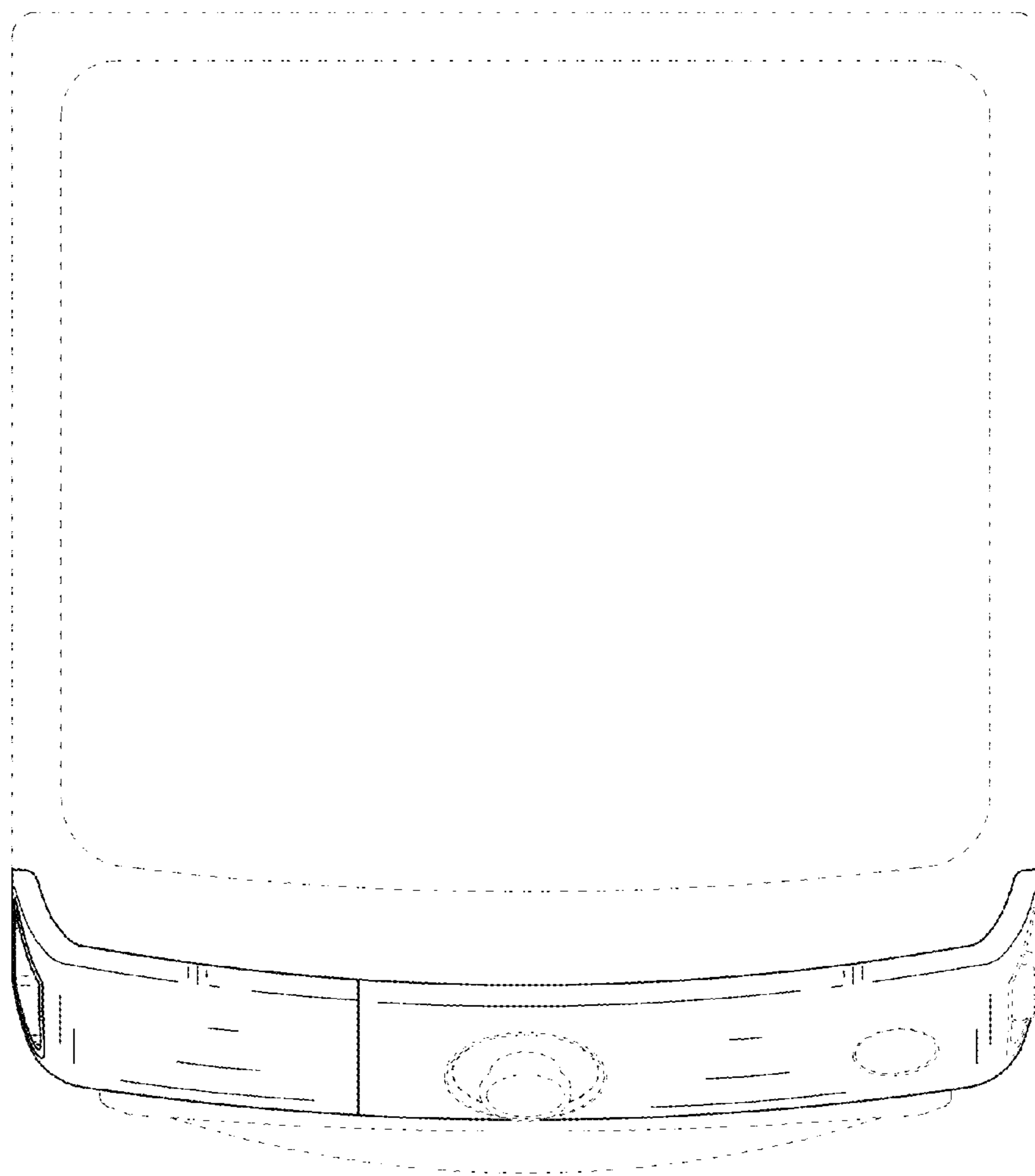


FIG. 7

