



US00D771886S

(12) **United States Design Patent** (10) **Patent No.:** **US D771,886 S**  
**Hwang et al.** (45) **Date of Patent:** **\*\* Nov. 15, 2016**

(54) **DOOR COVER FOR WASHING MACHINE**

(71) Applicant: **Samsung Electronics Co., Ltd.**,  
Suwon-si (KR)

(72) Inventors: **Junghoon Hwang**, Yongin-si (KR);  
**Deoksang Yun**, Ansan-si (KR); **Yeonsu Kim**,  
Seoul (KR); **Wonchul Hwang**, Seoul (KR)

(73) Assignee: **SAMSUNG ELECTRONICS CO., LTD.** (KR)

(\*\*) Term: **15 Years**

(21) Appl. No.: **29/537,248**

(22) Filed: **Aug. 24, 2015**

(30) **Foreign Application Priority Data**

Feb. 24, 2015 (KR) ..... 30-2015-0009302

(51) **LOC (10) Cl.** ..... **15-05**

(52) **U.S. Cl.**  
USPC ..... **D32/25**

(58) **Field of Classification Search**

USPC ..... D32/1-6, 8, 10, 25, 28; 312/228, 228.1,  
312/236, 294, 326; 220/810; 68/3 R, 5 R,  
68/235 R; 34/130, 131, 132, 108, 595, 596,  
34/597; 8/137  
CPC . B29C 45/0053; D06F 39/022; D06F 39/14;  
D06F 39/028; D06F 58/00; D06F 33/02;  
D06F 37/28

See application file for complete search history.

(56) **References Cited**

**U.S. PATENT DOCUMENTS**

D501,966 S \* 2/2005 Hwang ..... D32/25  
D506,045 S \* 6/2005 No ..... D32/25  
D544,157 S \* 6/2007 Crookshanks ..... D32/25  
D575,913 S \* 8/2008 Jeon ..... D32/6  
D592,367 S \* 5/2009 Crookshanks ..... D32/25  
D616,163 S \* 5/2010 Nam ..... D32/25  
D618,872 S \* 6/2010 Bixby ..... D32/25

D619,771 S \* 7/2010 Bixby ..... D32/25  
D626,299 S \* 10/2010 Lee ..... D32/6  
D640,023 S \* 6/2011 Bixby ..... D32/25  
D688,430 S \* 8/2013 Meda ..... D32/25  
D700,409 S \* 2/2014 Takahashi ..... D32/25  
D708,799 S \* 7/2014 Choi ..... D32/6  
D708,800 S \* 7/2014 Choi ..... D32/6  
D729,996 S \* 5/2015 Hwang ..... D32/6  
D730,596 S \* 5/2015 Kim ..... D32/6  
D730,602 S \* 5/2015 Choi ..... D32/25  
D732,768 S \* 6/2015 Choi ..... D32/25  
D749,806 S \* 2/2016 Hwang ..... D32/25  
D758,682 S \* 6/2016 Kim ..... D32/25  
2012/0144692 A1 \* 6/2012 Park ..... D06F 58/04  
34/491

\* cited by examiner

*Primary Examiner* — Rosemary K Tarcza

*Assistant Examiner* — Yolanda Robinson

(74) *Attorney, Agent, or Firm* — Cantor Colburn LLP

(57) **CLAIM**

The ornamental design for a door cover for washing machine, as shown and described.

**DESCRIPTION**

FIG. 1 is a perspective view of a door cover for washing machine, showing our new design;  
FIG. 2 is a front view thereof;  
FIG. 3 is a rear view thereof;  
FIG. 4 is a side view thereof;  
FIG. 5 is another side view thereof;  
FIG. 6 is a top view thereof;  
FIG. 7 is a bottom view thereof;  
FIG. 8 is across-sectional view taken along line 8-8 thereof in FIG. 2;  
FIG. 9 is a cross-sectional view taken along line 9-9 thereof in FIG. 2; and,  
FIG. 10 is another perspective view thereof in a washing machine environment.

The broken lines illustrating portions of a washing machine are environmental purposes only and form no part of the claimed design.

**1 Claim, 8 Drawing Sheets**

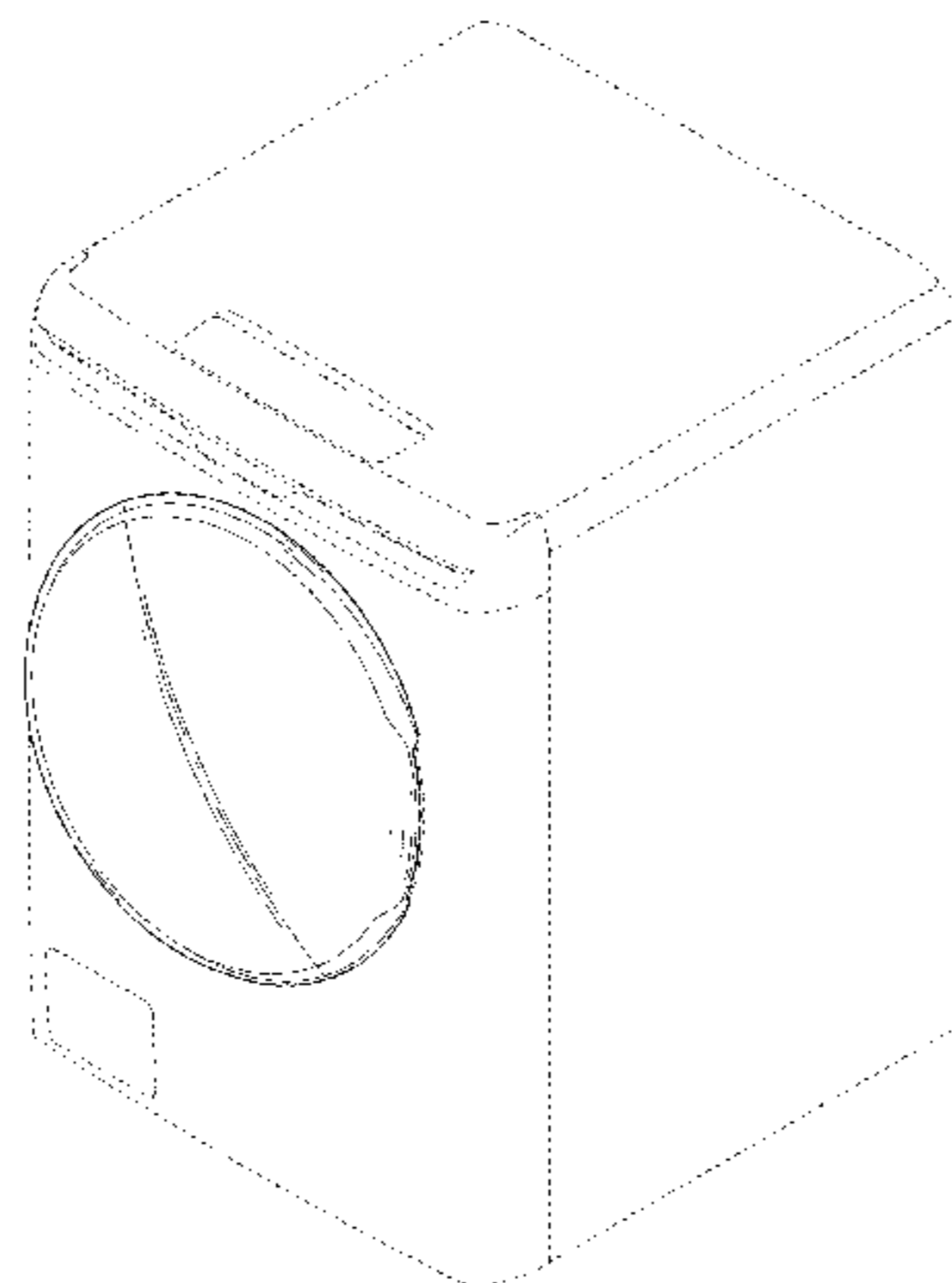


FIG. 1

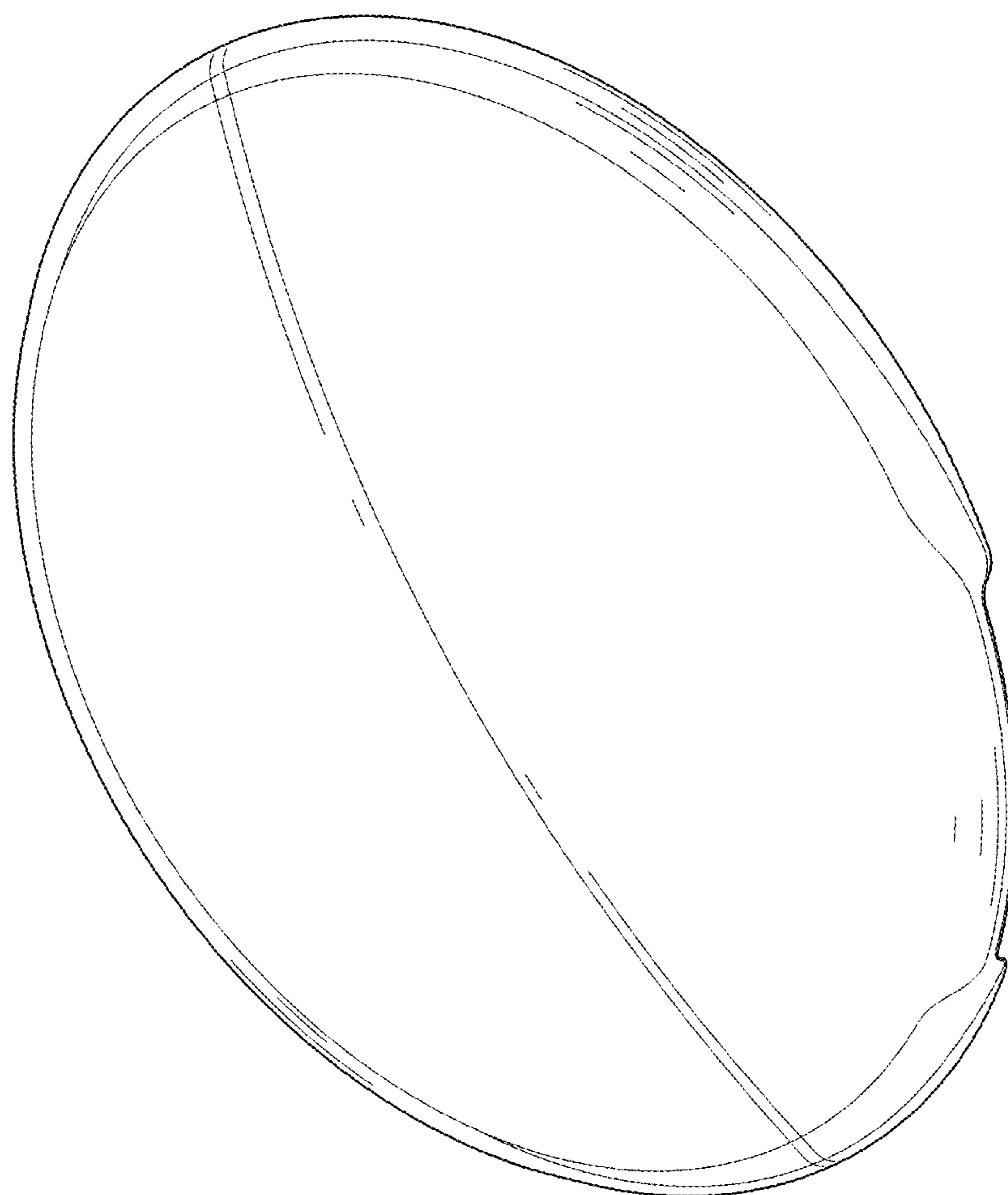


FIG. 2

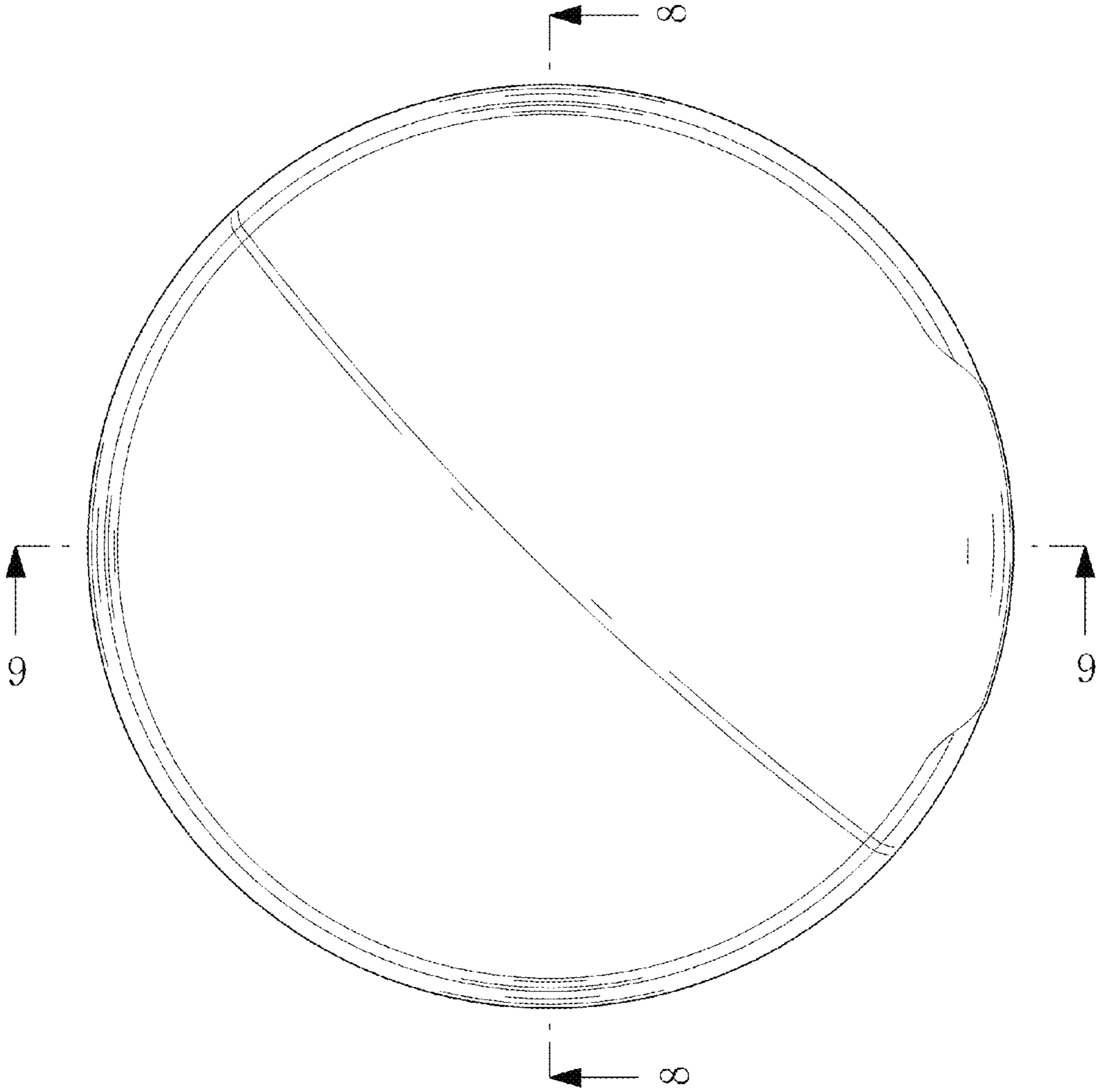


FIG. 3

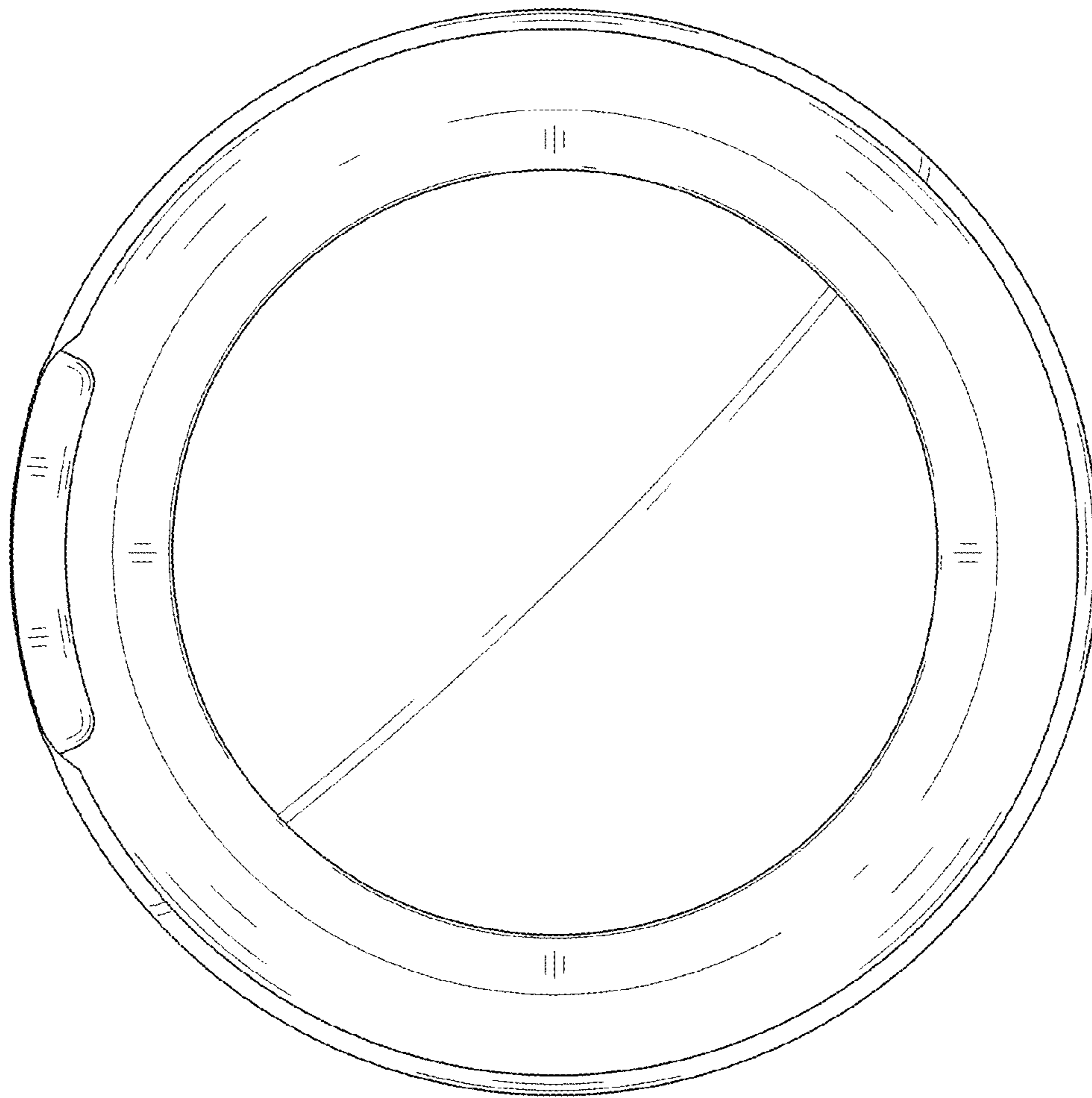


FIG. 4

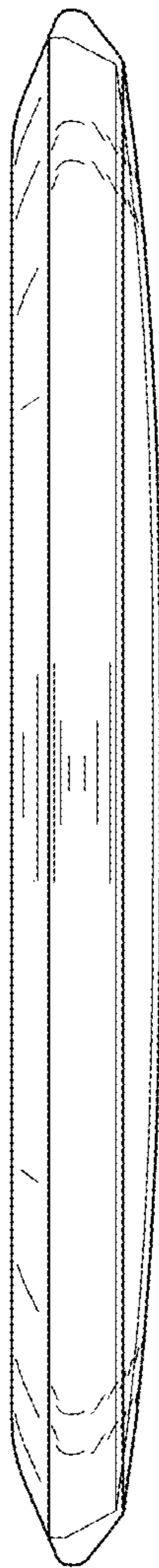


FIG. 5

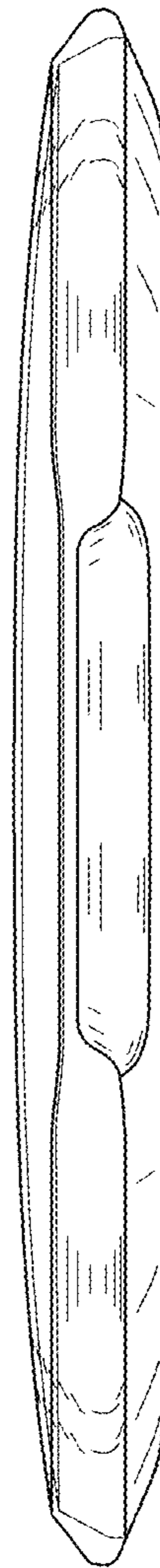


FIG. 6

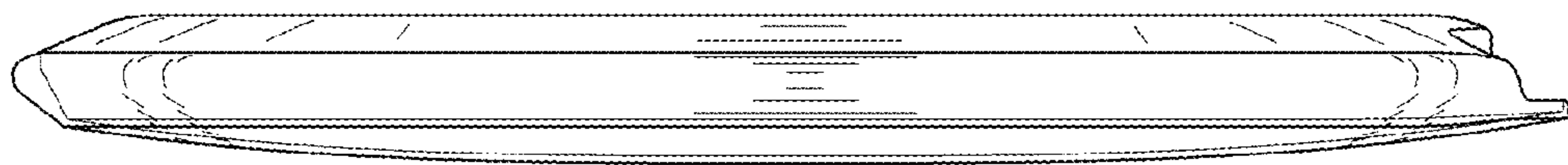


FIG. 7

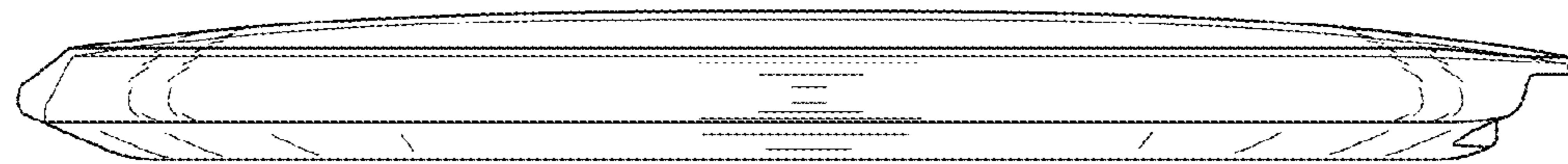


FIG. 8

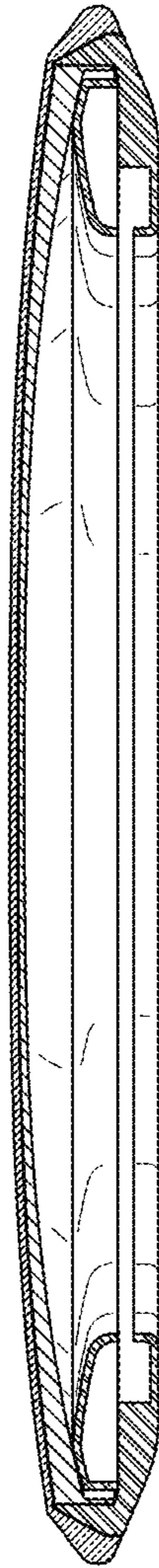


FIG. 9

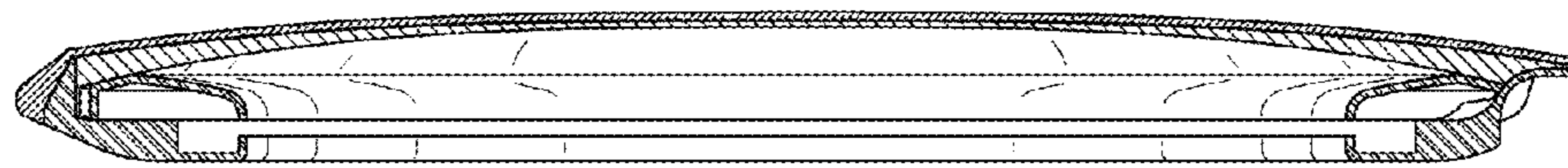




FIG. 10

