



US00D771884S

(12) **United States Design Patent**  
**Ninomiya**

(10) **Patent No.:** **US D771,884 S**

(45) **Date of Patent:** **\*\* Nov. 15, 2016**

(54) **AUTONOMOUS COVERAGE VACUUM CLEANER**

(71) Applicant: **Toshiba Lifestyle Products & Services Corporation, Ome, Tokyo (JP)**

(72) Inventor: **Masato Ninomiya, Tokyo (JP)**

(73) Assignee: **Toshiba Lifestyle Products & Services Corporation, Tokyo (JP)**

(\*\*) Term: **14 Years**

(21) Appl. No.: **29/516,290**

(22) Filed: **Jan. 30, 2015**

(30) **Foreign Application Priority Data**

Aug. 1, 2014 (JP) ..... 2014-016896

(51) **LOC (10) Cl.** ..... **15-05**

(52) **U.S. Cl.**  
USPC ..... **D32/21**

(58) **Field of Classification Search**

USPC ..... D32/18, 21-24, 31  
CPC ..... A47L 9/16; A47L 9/20; A47L 9/1683;  
A47L 9/1666; A47L 9/1608; A47L 9/2857;  
A47L 9/2842; A47L 9/2836; A47L 9/2847;  
A47L 9/2852; A47L 5/28; A47L 7/0038;  
G06N 3/008; E04H 4/1654

See application file for complete search history.

(56) **References Cited**

**U.S. PATENT DOCUMENTS**

D556,961 S \* 12/2007 Swyst ..... D15/199  
D658,341 S \* 4/2012 Nam ..... D32/21

D661,032 S \* 5/2012 Lee ..... D32/21  
D665,547 S \* 8/2012 Nam ..... D32/21  
D669,235 S \* 10/2012 Bassett ..... D32/21  
D670,877 S \* 11/2012 Geringer ..... D32/21  
D690,478 S \* 9/2013 Li ..... D32/21  
D691,337 S \* 10/2013 Kim ..... D32/21  
D703,397 S \* 4/2014 Sungkyung ..... D32/21  
D704,400 S \* 5/2014 Shin ..... D32/21  
D714,002 S \* 9/2014 Casini ..... D32/21  
D714,003 S \* 9/2014 Casini ..... D32/21  
D715,504 S \* 10/2014 Deoksang ..... D32/21  
D743,645 S \* 11/2015 Lee ..... D32/21  
2014/0182627 A1 \* 7/2014 Williams ..... A47L 11/30  
134/21

\* cited by examiner

*Primary Examiner* — Ruth McInroy

(74) *Attorney, Agent, or Firm* — Banner & Witcoff, Ltd.

(57) **CLAIM**

The ornamental design for an autonomous coverage vacuum cleaner, as shown and described.

**DESCRIPTION**

FIG. 1 is a perspective view of an autonomous coverage vacuum cleaner showing my new design, FIG. 2 is a front elevational view thereof, FIG. 3 is a rear elevational view thereof, FIG. 4 is a left side elevational view thereof, FIG. 5 is a right side elevational view thereof; and, FIG. 6 is a top plan view thereof.

**1 Claim, 4 Drawing Sheets**

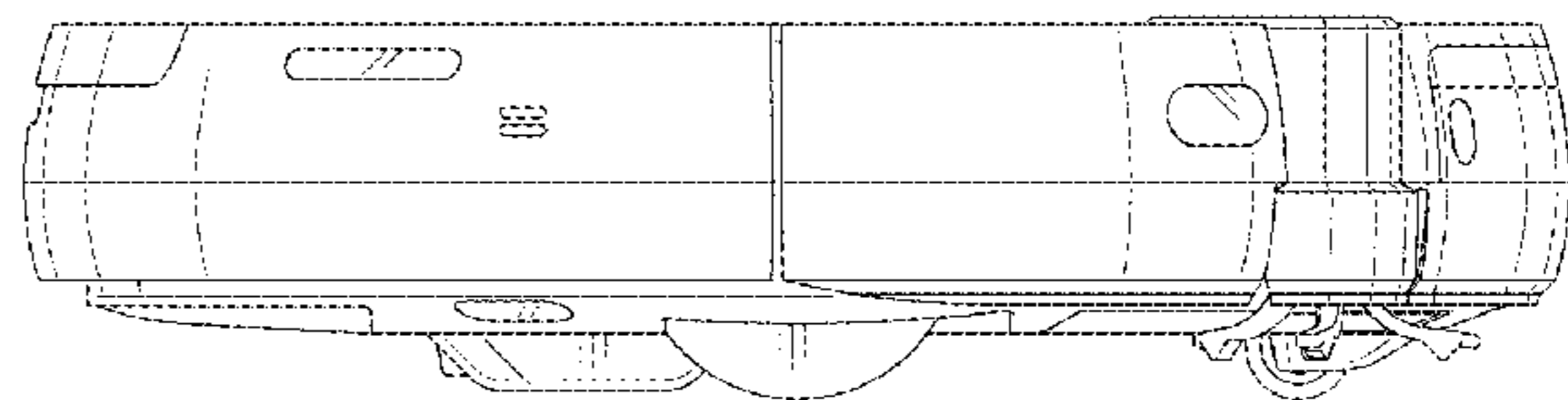
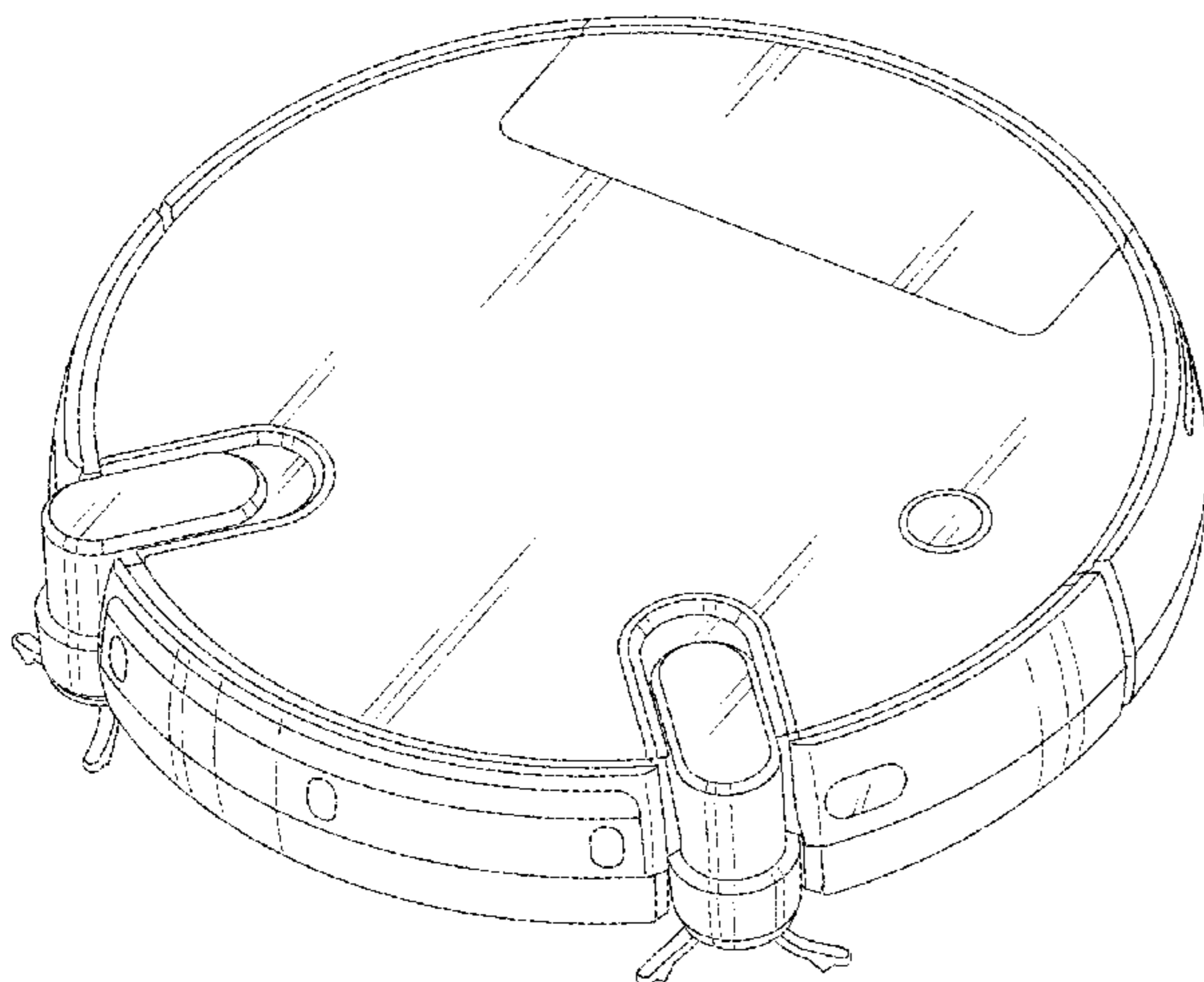


Fig. 1

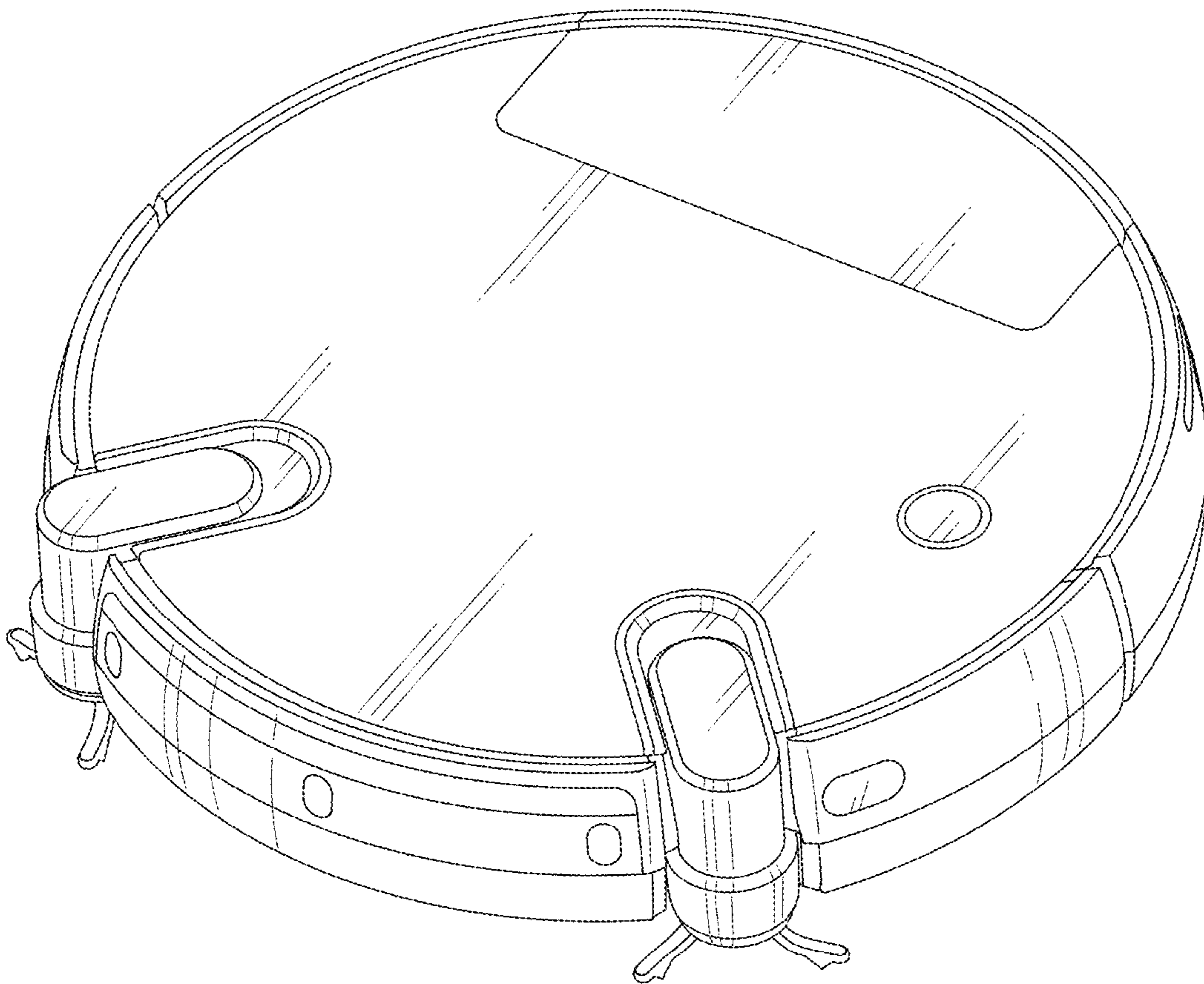


Fig. 2

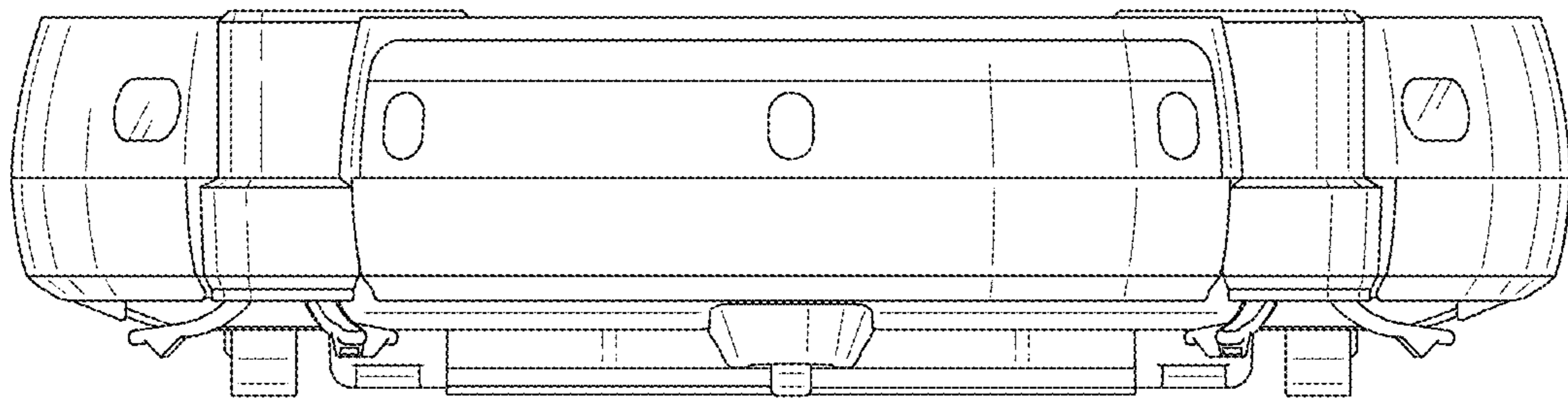


Fig. 3

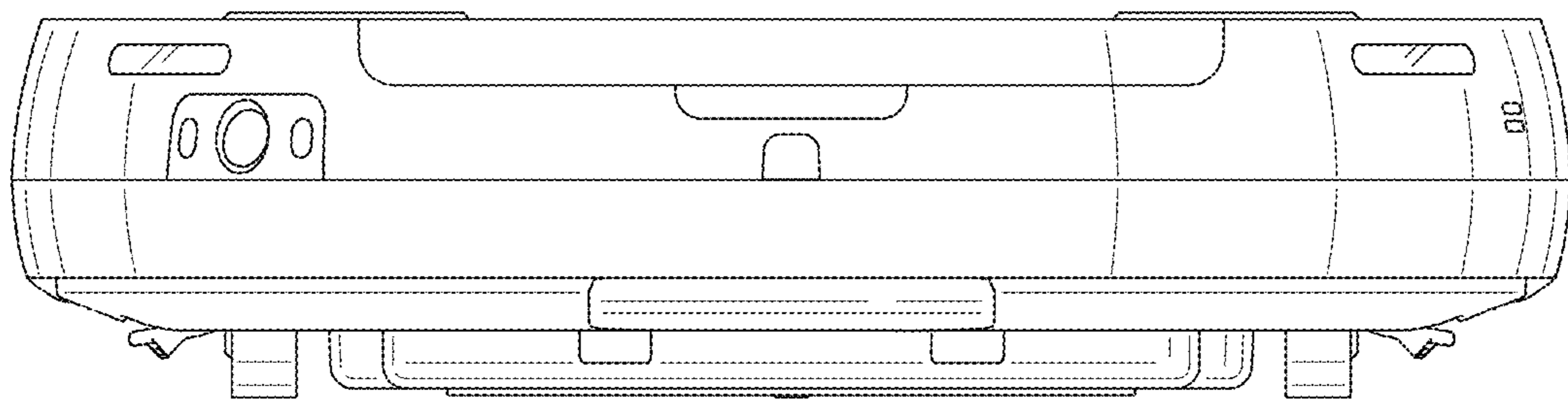


Fig. 4

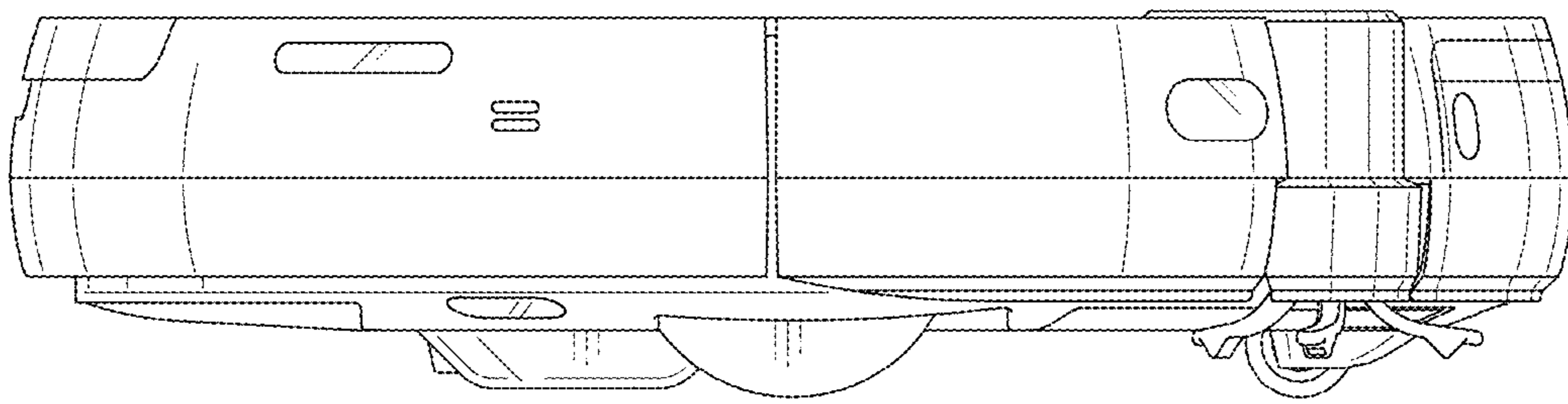


Fig. 5

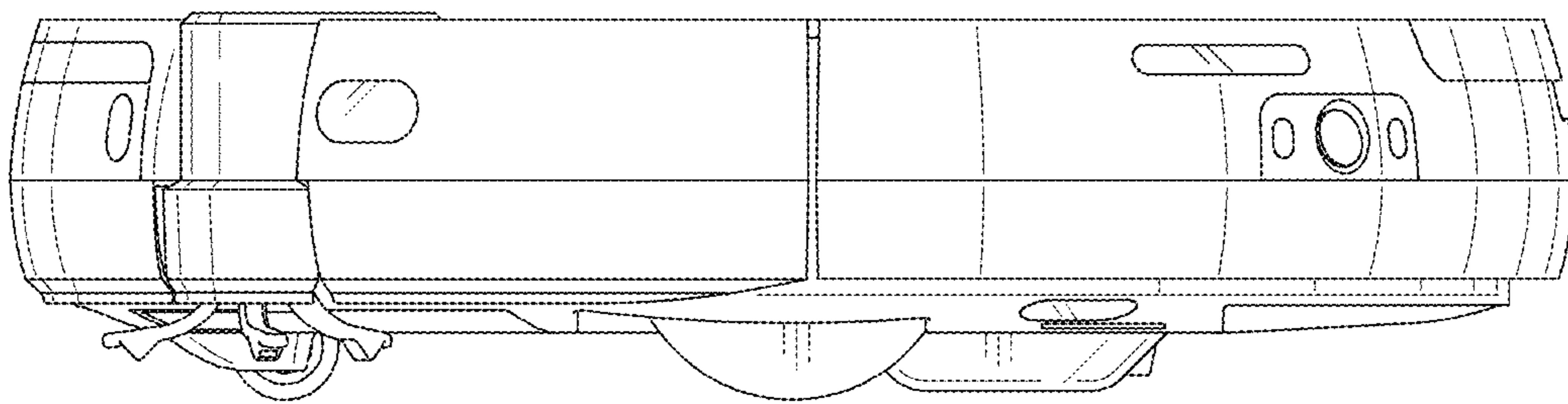




Fig. 6

