



US00D771883S

(12) **United States Design Patent** (10) **Patent No.:** **US D771,883 S**  
**Fueglein et al.** (45) **Date of Patent:** **\*\* Nov. 15, 2016**

(54) **WASHING MACHINE**

(56) **References Cited**

(71) Applicant: **RAVENTECH GMBH**, Nuremberg (DE)

U.S. PATENT DOCUMENTS

(72) Inventors: **Stefan Fueglein**, Nuremberg (DE);  
**Richard Schadt**, Nuremberg (DE);  
**Wojciech Bujak**, Nuremberg (DE);  
**Katrin Roeder**, Nuremberg (DE); **Ruth Gerstmair**, Pyrbaum (DE)

D541,492 S *	4/2007	Nam	.....	D32/6
D543,322 S *	5/2007	Usui	.....	D32/6
D554,306 S *	10/2007	Nam	.....	D32/6
D588,312 S *	3/2009	Lee	.....	D32/8
D627,528 S *	11/2010	Billig	.....	D32/6
D665,543 S *	8/2012	Kim	.....	D32/6
D690,061 S *	9/2013	Kim	.....	D32/6
D690,066 S *	9/2013	Chung	.....	D32/25
D692,194 S *	10/2013	Meda	.....	D32/6
D712,603 S *	9/2014	Geyer	.....	D32/6
D735,424 S *	7/2015	Ha	.....	D32/6
D739,097 S *	9/2015	Qin	.....	D32/6
D746,521 S *	12/2015	Ha	.....	D32/6

(73) Assignee: **RavenTech GmbH**, Nuremberg (DE)

(\*\*) Term: **15 Years**

\* cited by examiner

(21) Appl. No.: **29/530,517**

*Primary Examiner* — Susan Bennett Hattan

(22) Filed: **Jun. 17, 2015**

*Assistant Examiner* — Rebecca Tsehaye

(30) **Foreign Application Priority Data**

(74) *Attorney, Agent, or Firm* — Laurence A. Greenberg;  
Werner H. Stemer; Ralph E. Locher

Dec. 17, 2014 (EP) ..... 2599787-0004

(51) **LOC (10) Cl.** ..... **15-05**

(57) **CLAIM**

(52) **U.S. Cl.**

The ornamental design for a washing machine, as shown and described.

USPC ..... **D32/2**

**DESCRIPTION**

(58) **Field of Classification Search**

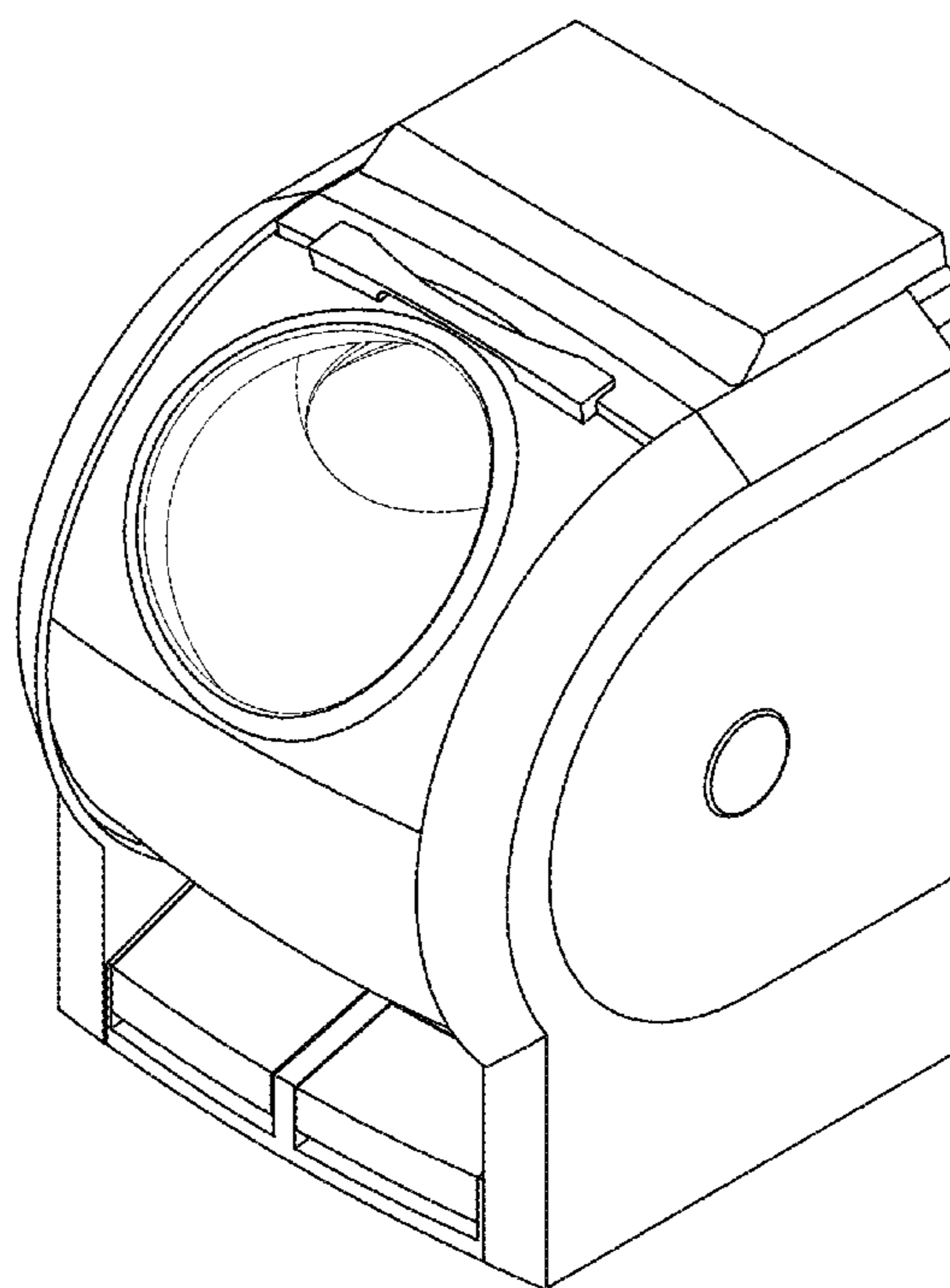
USPC ..... D32/1, 5, 6, 8, 10, 11, 25, 29; D3/273,  
D3/297, 307; D6/349, 352, 559, 560;  
68/27, 11, 38, 20, 3 R; 312/228

FIG. 1 is a front perspective view of the washing machine showing my new invention;  
FIG. 2 is a right side elevation view, the left side being a mirror image thereof;  
FIG. 3 is a top view thereof; and,  
FIG. 4 is a front elevation view thereof.

CPC ..... D06F 17/04; D06F 37/02; D06F 37/08;  
D06F 37/12; D06F 37/145; D06F 39/00;  
D06F 39/08; D06F 31/00; B08B 3/12

See application file for complete search history.

**1 Claim, 4 Drawing Sheets**



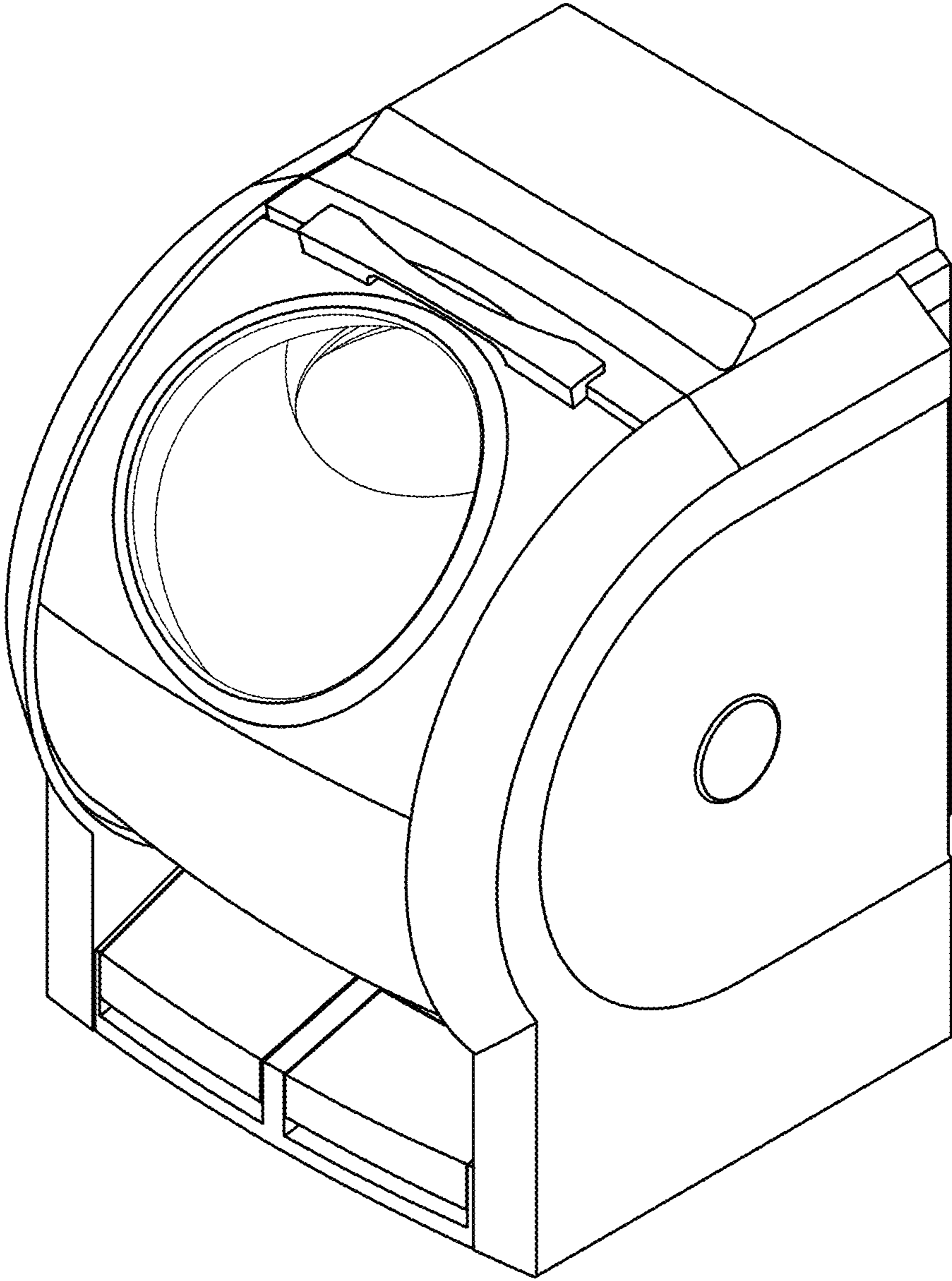


FIG. 1

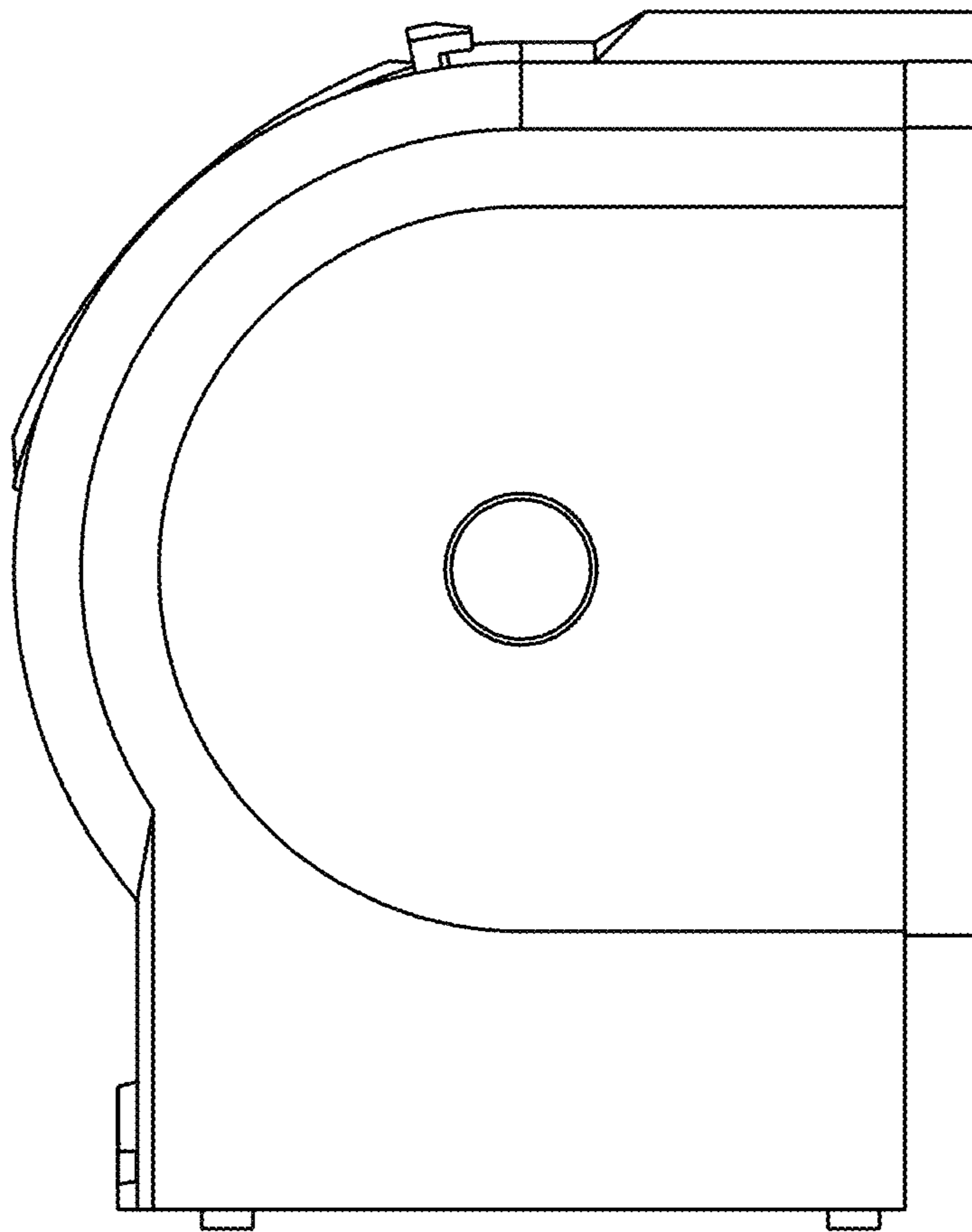


FIG. 2

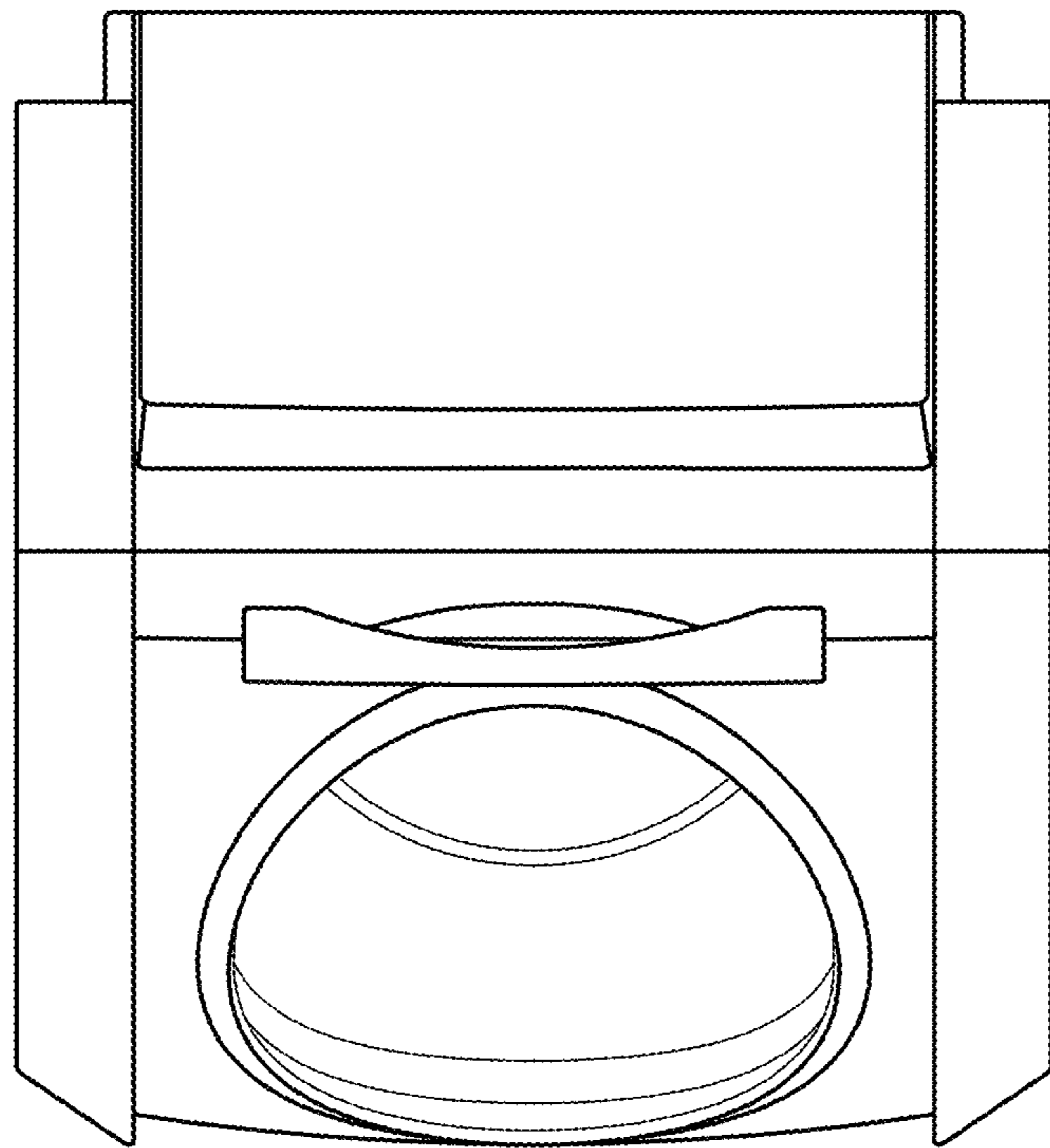


FIG. 3

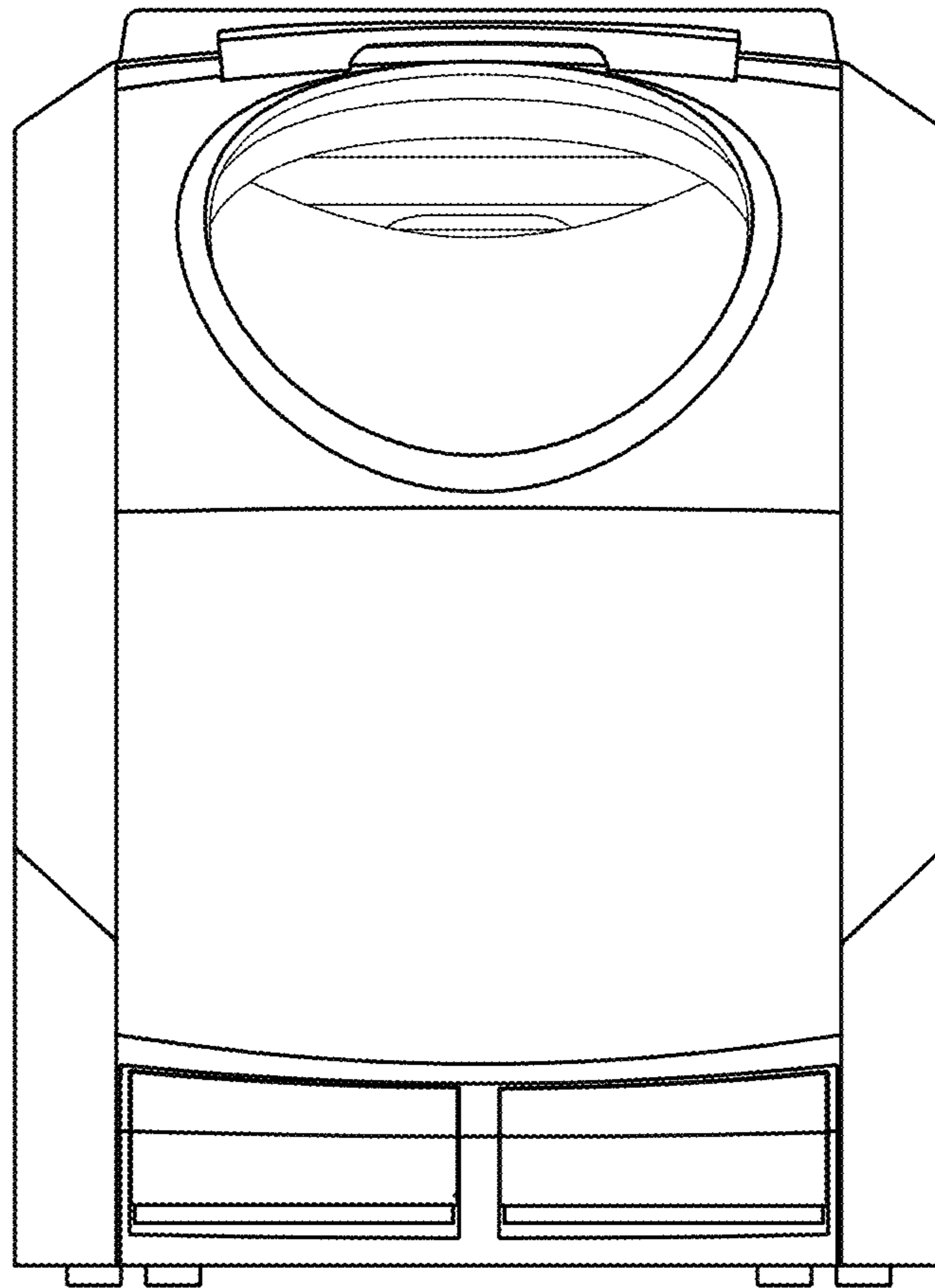


FIG. 4