



US00D771869S

(12) **United States Design Patent**
Dulien

(10) **Patent No.:** **US D771,869 S**

(45) **Date of Patent:** **** Nov. 15, 2016**

(54) **HINGED HAIR BAND BRACELET**

(71) Applicant: **Elizabeth A. Dulien**, Austin, TX (US)

(72) Inventor: **Elizabeth A. Dulien**, Austin, TX (US)

(**) Term: **15 Years**

(21) Appl. No.: **29/538,197**

(22) Filed: **Sep. 1, 2015**

(51) **LOC (10) Cl.** **28-03**

(52) **U.S. Cl.**
USPC **D28/41**

(58) **Field of Classification Search**
USPC D28/41, 39; D11/17, 1-5, 15, 19, 22;
24/459, 462, 200; 132/273, 275, 2,
132/DIG. 11
CPC A45D 8/00; A45D 8/36; A42C 5/02;
A44C 5/0007; A44C 5/0069; A44C 5/003;
A44C 15/003; A44C 15/0075
See application file for complete search history.

(56) **References Cited**

U.S. PATENT DOCUMENTS

D371,980 S *	7/1996	Gardner	D11/4
D393,224 S *	4/1998	Miller	D11/4
D456,296 S *	4/2002	Ambar	D11/4
D457,087 S *	5/2002	Torres	D11/4
D497,567 S *	10/2004	Hardy	63/7
D515,450 S *	2/2006	Schiesl-Griesinger	D11/4
D616,325 S *	5/2010	Shaforost	D11/4
D704,087 S *	5/2014	DiPietro	D11/5
D729,102 S *	5/2015	Becker	D11/3

D741,211 S *	10/2015	Kahn	D11/3
D742,273 S *	11/2015	Lieberman	D11/4
D757,593 S *	5/2016	Dulien	D11/4
D758,908 S *	6/2016	Waud	D11/3

* cited by examiner

Primary Examiner — Susan Bennett Hattan

Assistant Examiner — Rebecca Tsehaye

(74) *Attorney, Agent, or Firm* — Kelly & Kelley, LLP

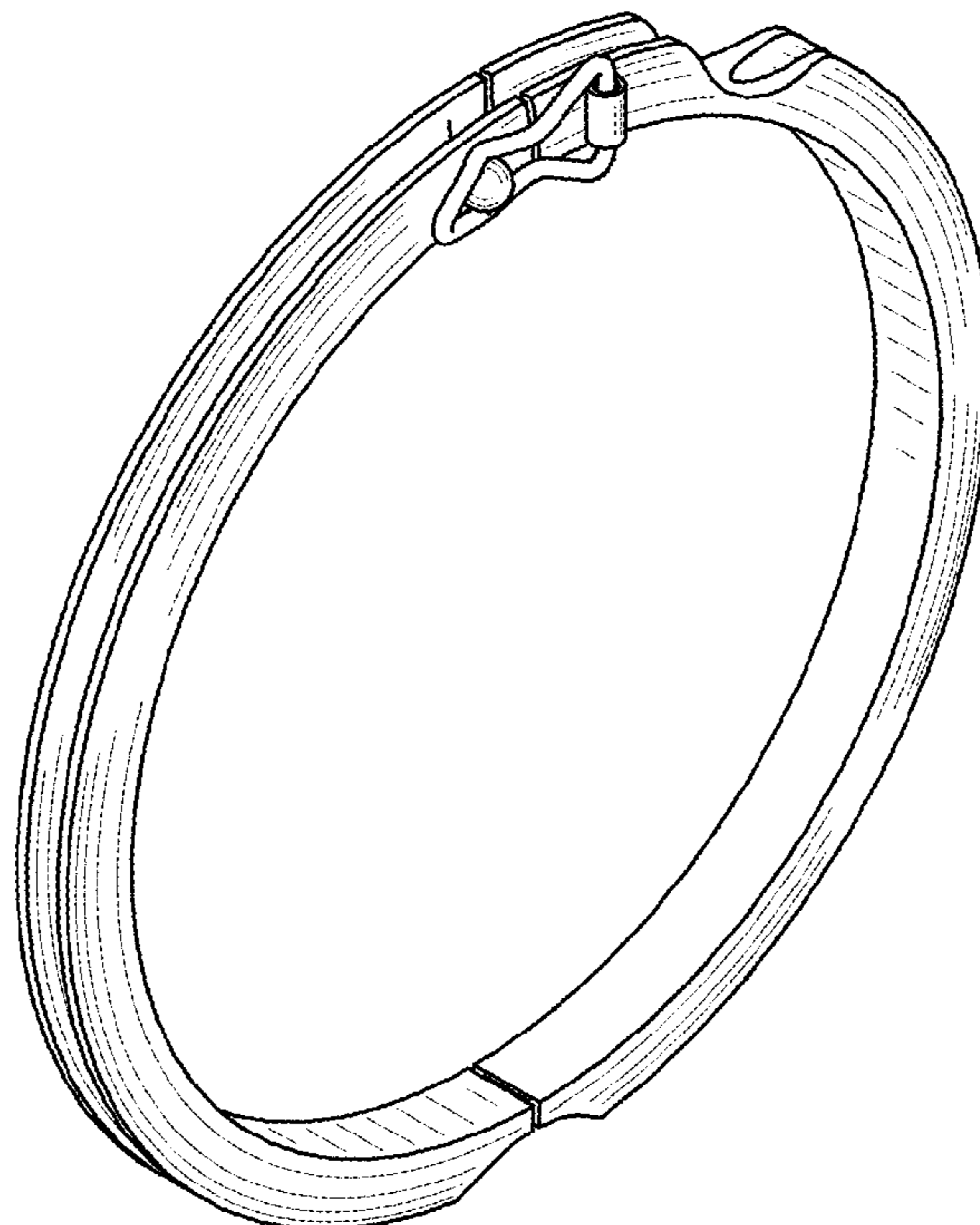
(57) **CLAIM**

The ornamental design for a hinged hair band bracelet, as shown and described.

DESCRIPTION

FIG. 1 is an upper perspective view of the hinged hair band bracelet;
 FIG. 2 is a lower perspective view of the hinged hair band bracelet;
 FIG. 3 is a front view of the hinged hair band bracelet, of which the back view is a mirror image;
 FIG. 4 is a back view of the hinged hair band bracelet;
 FIG. 5 is a top view of the hinged hair band bracelet;
 FIG. 6 is a bottom view of the hinged hair band bracelet;
 FIG. 7 is a left side view of the hinged hair band bracelet;
 FIG. 8 is a right side view of the hinged hair band bracelet;
 FIG. 9 is a cross-sectional view of the hinged hair band bracelet taken along line 9-9 of FIG. 3; and,
 FIG. 10 is an upper perspective view of the hinged hair band bracelet in an open position.

1 Claim, 4 Drawing Sheets



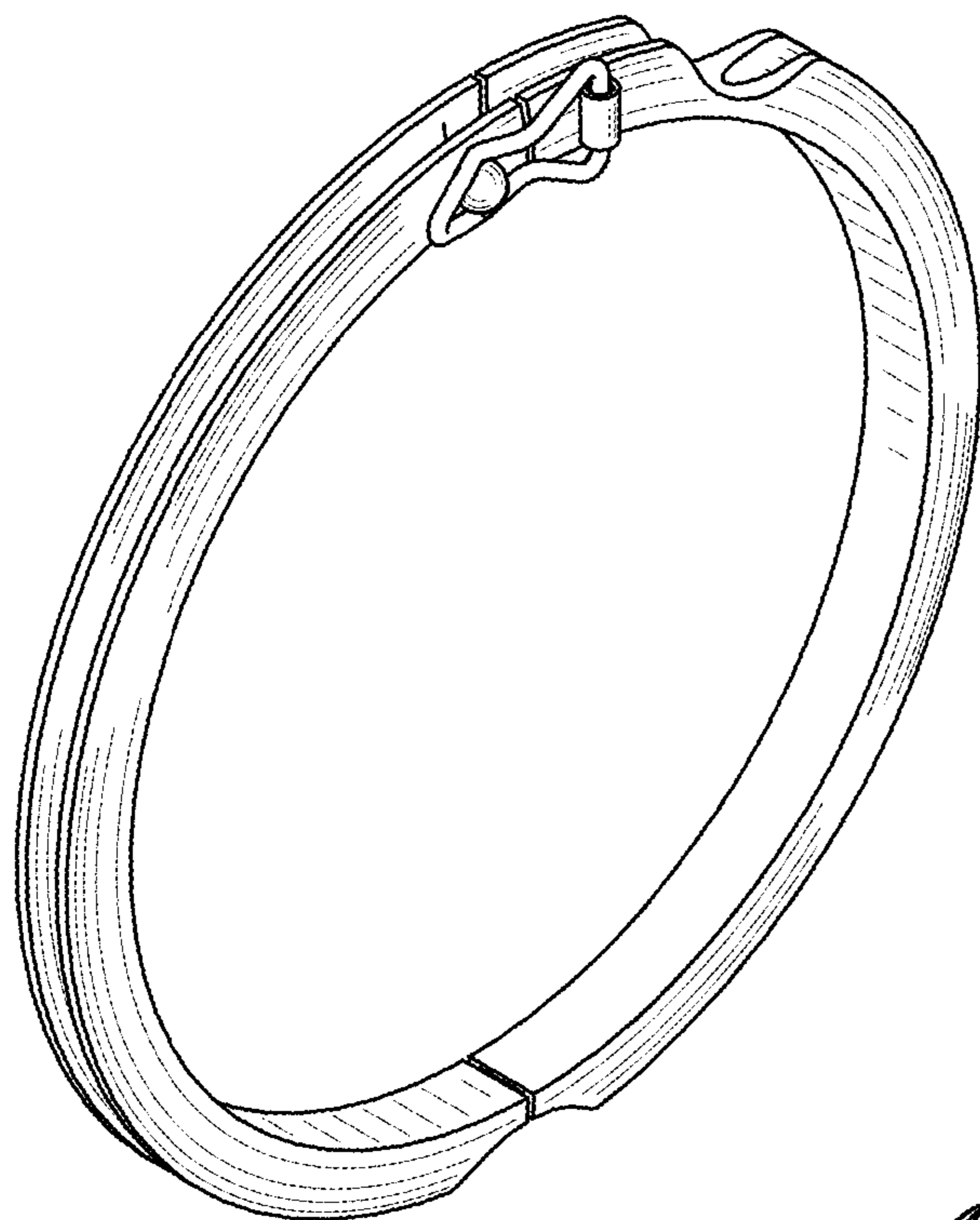


FIG. 1

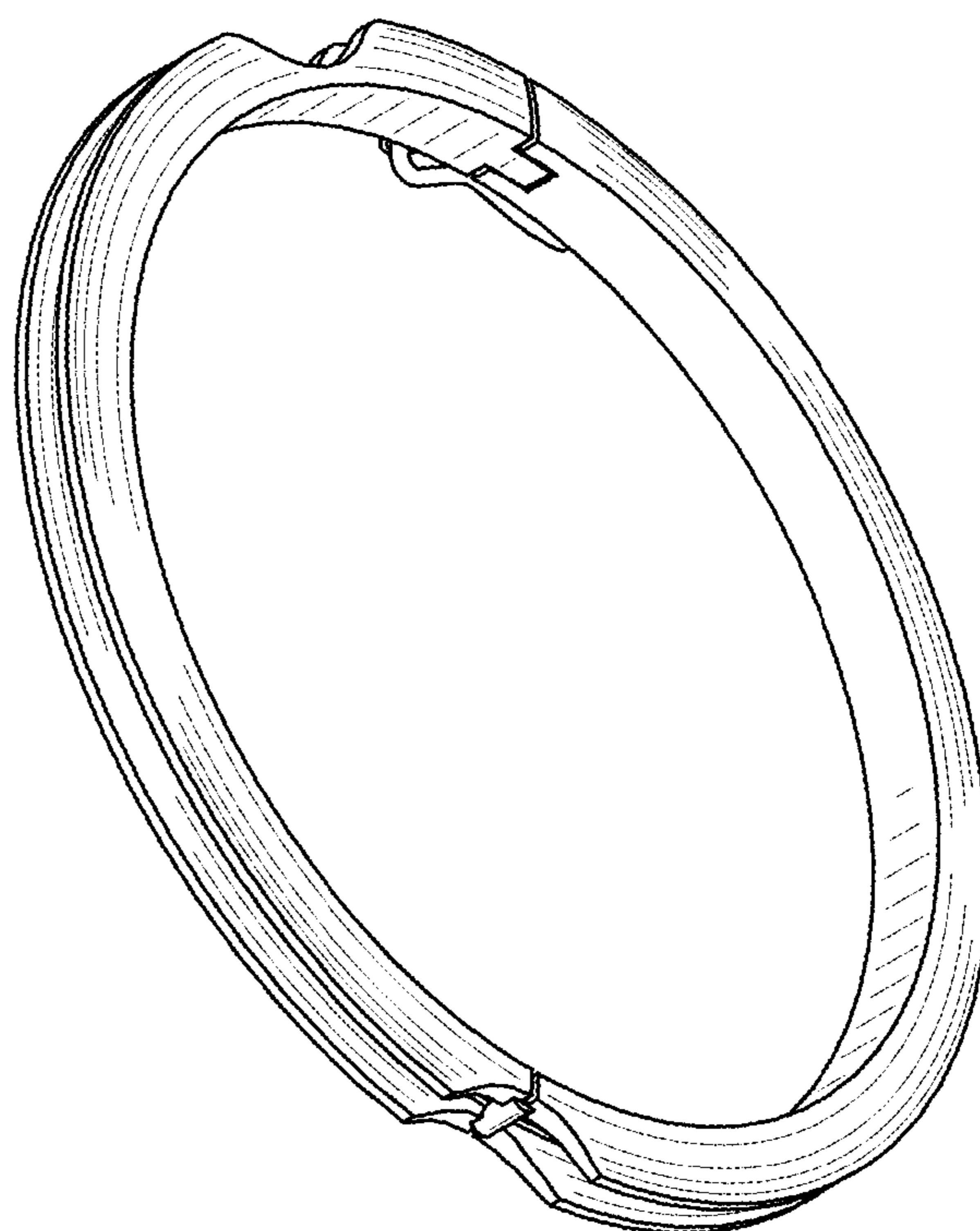


FIG. 2

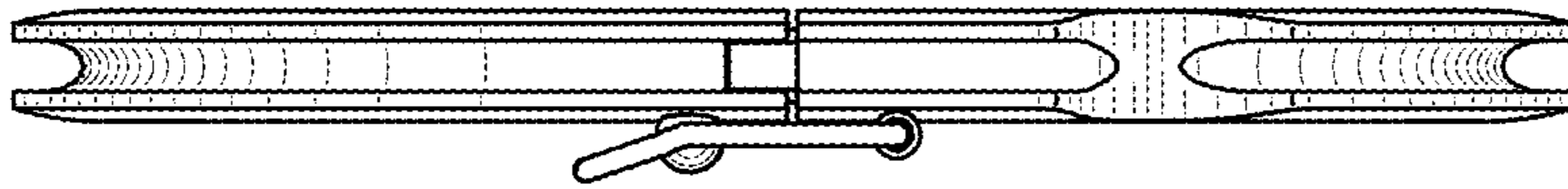


FIG. 4

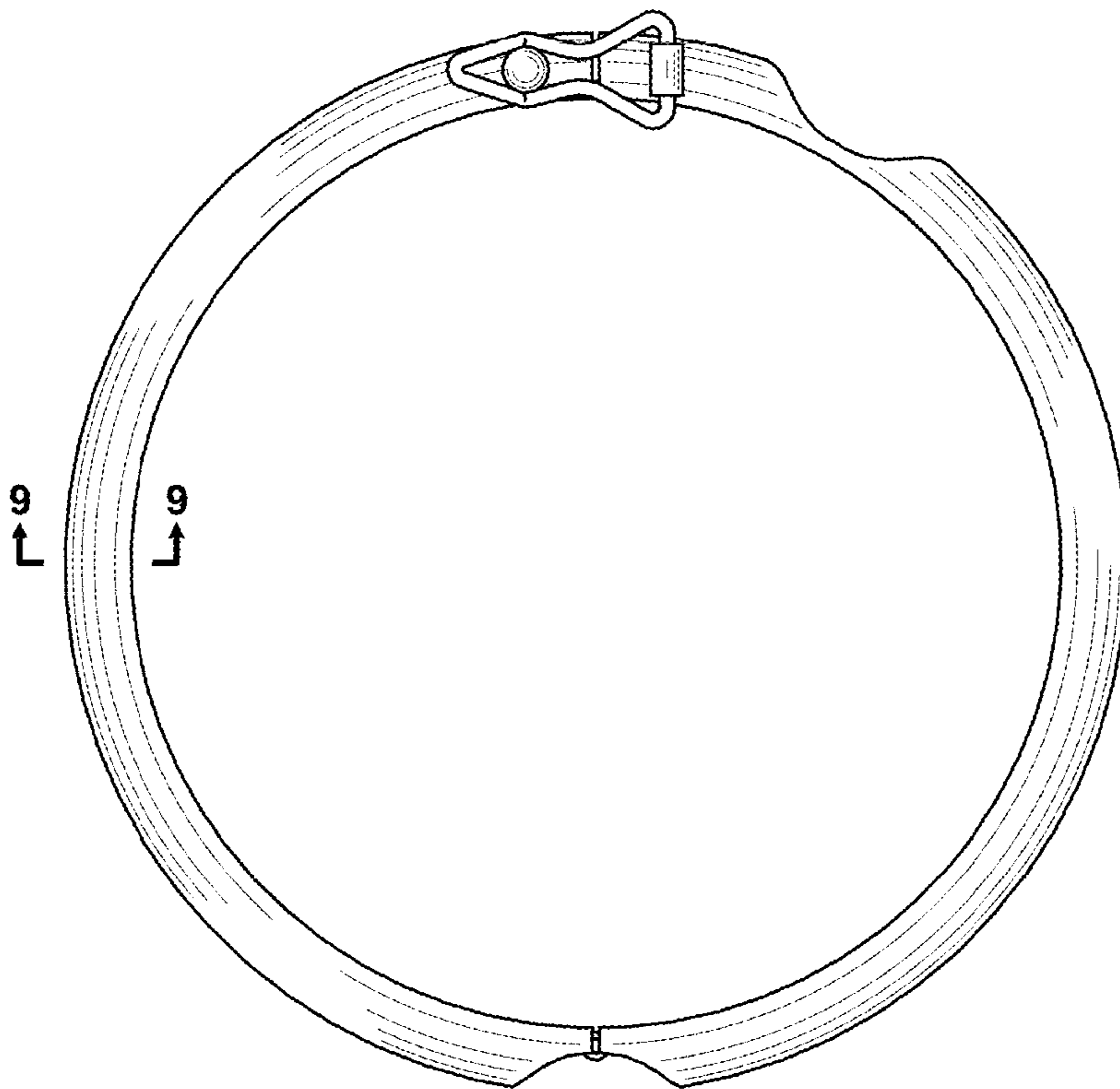


FIG. 3

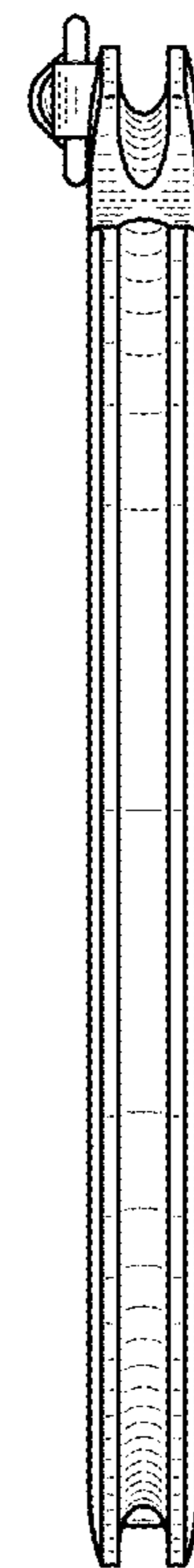


FIG. 5

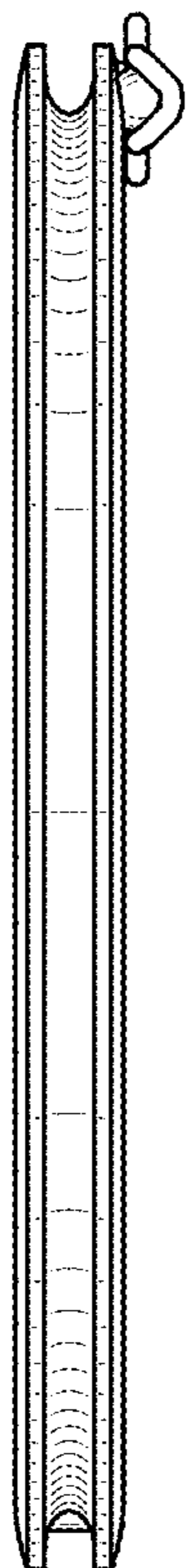


FIG. 8

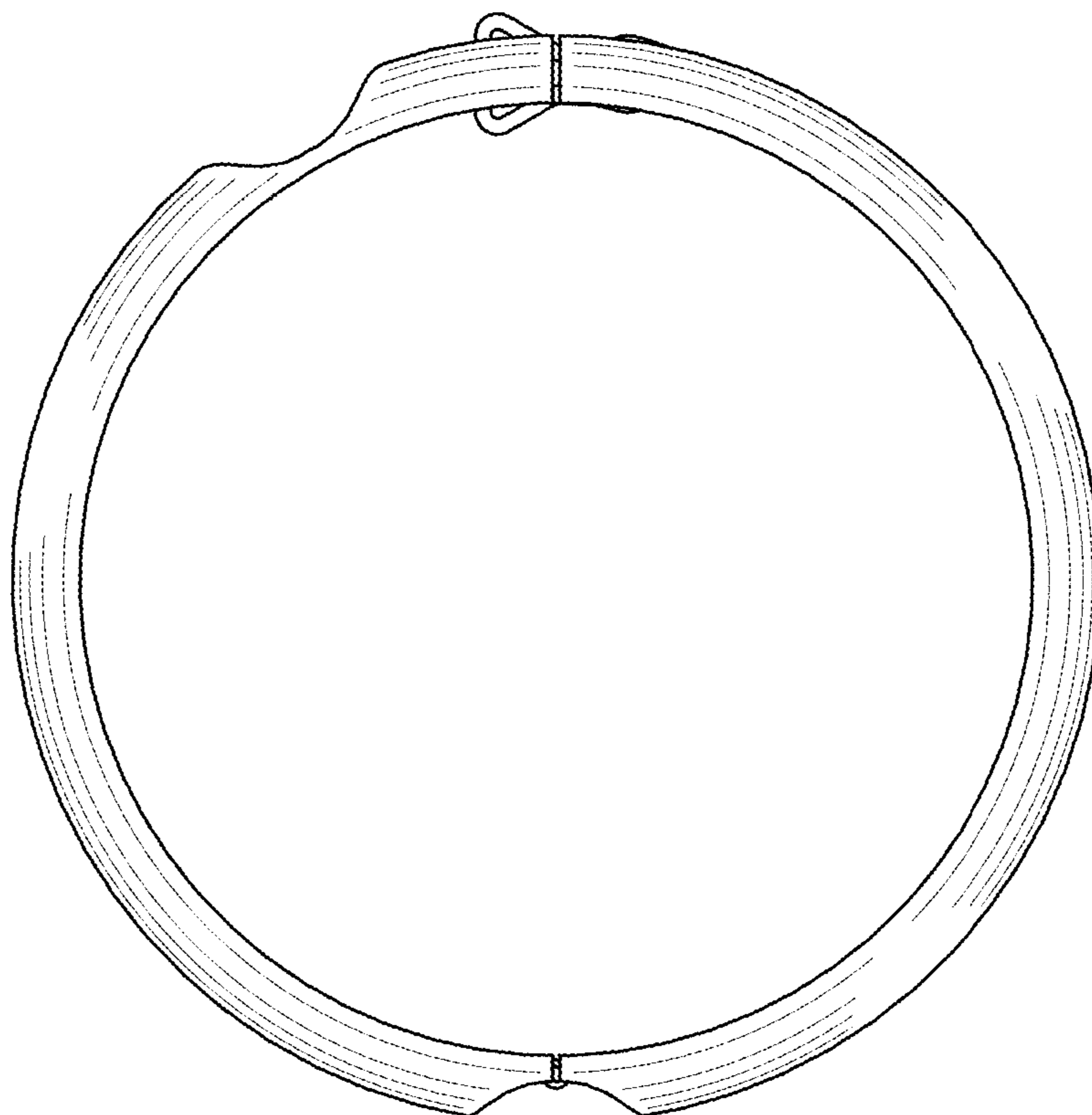


FIG. 6

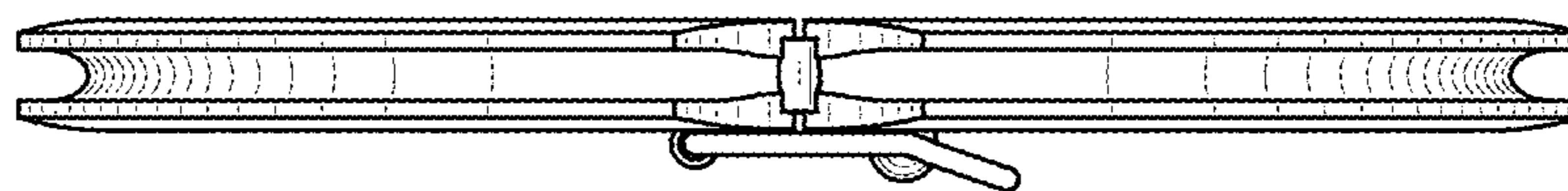


FIG. 7

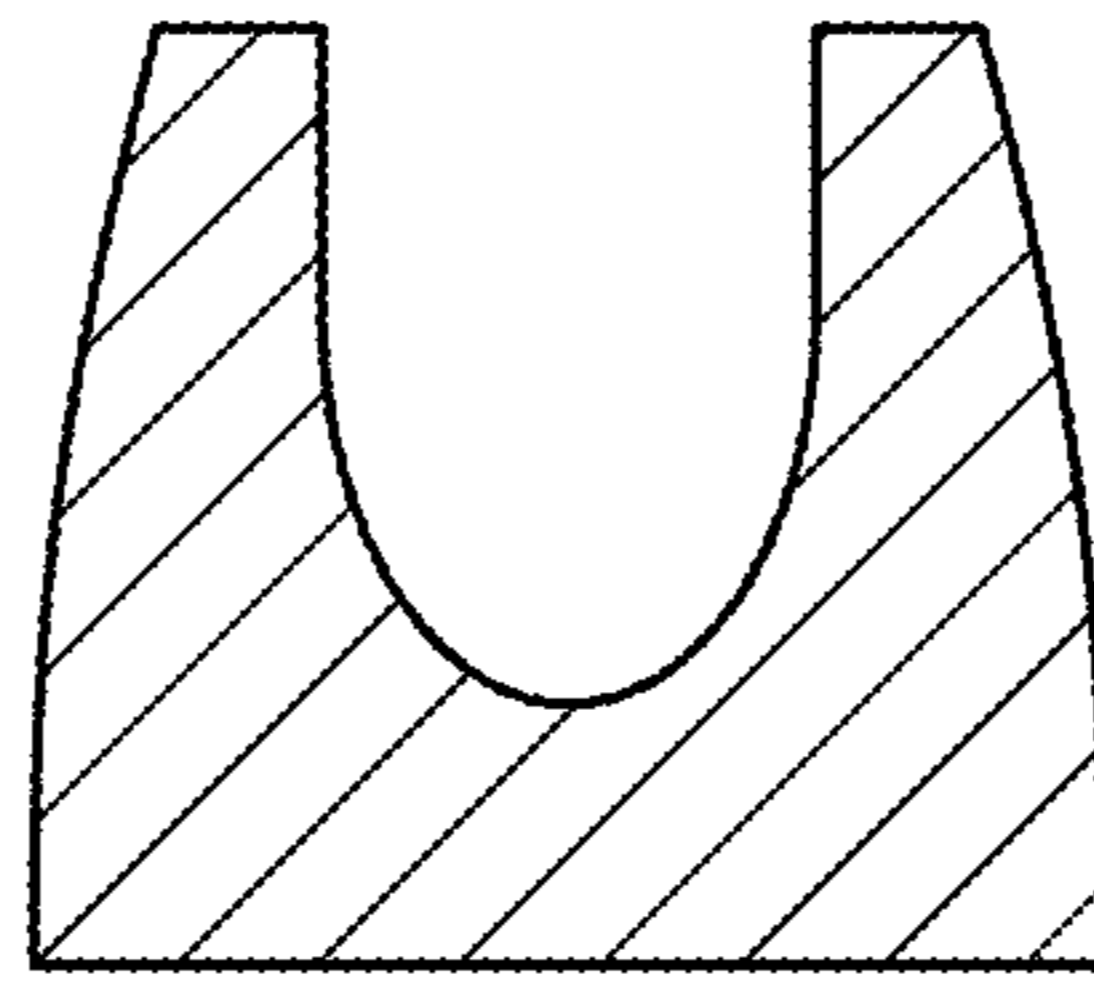


FIG. 9

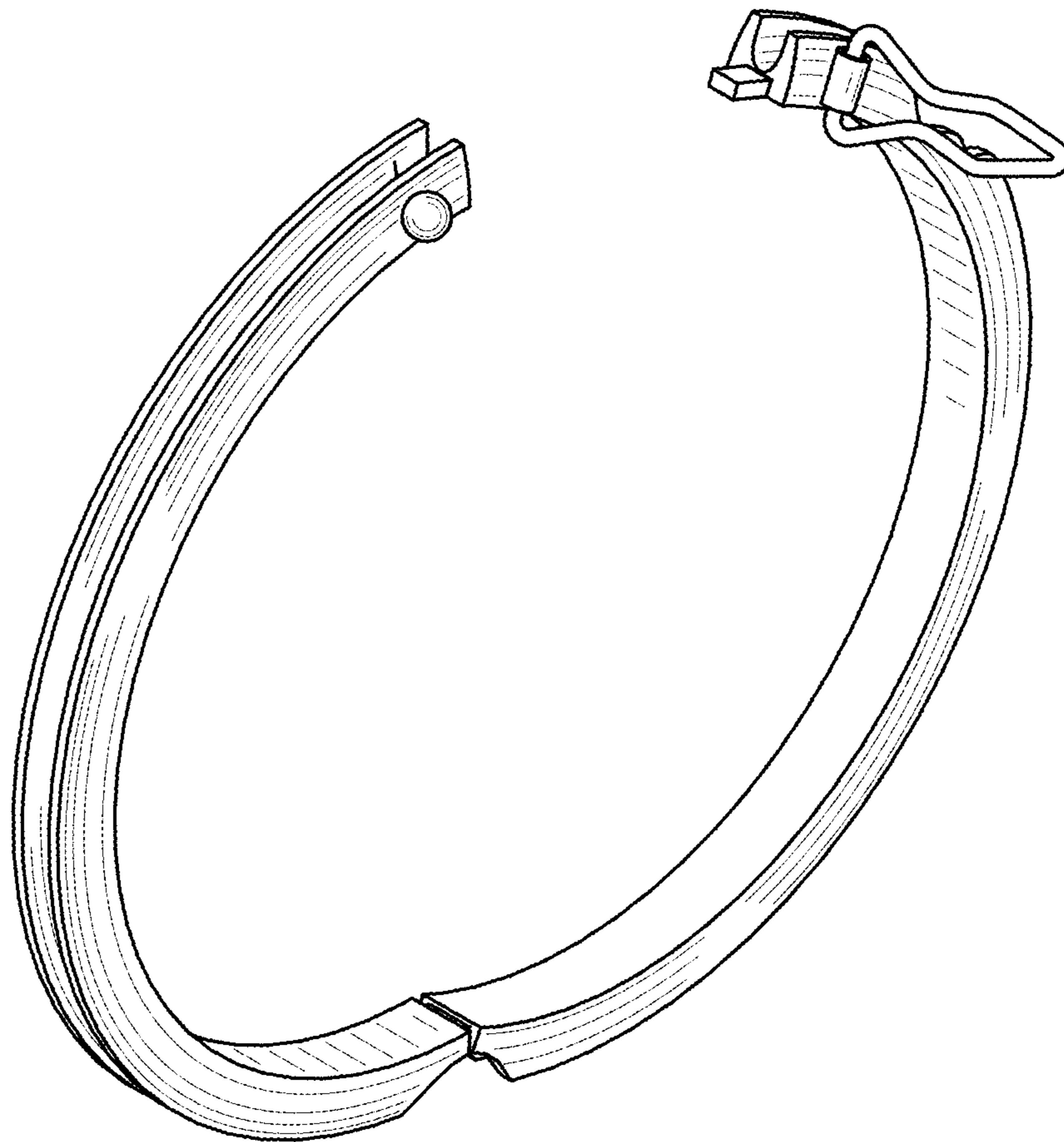


FIG. 10