



US00D771868S

(12) **United States Design Patent** (10) **Patent No.:** **US D771,868 S**  
**Hsu** (45) **Date of Patent:** **\*\* Nov. 15, 2016**

(54) **HAIRCLIP** 8,087,416 B2 \* 1/2012 Defenbaugh ..... A45D 8/20  
132/200

(71) Applicant: **Shih Ling Hsu**, Tainan (TW) 8,109,279 B2 \* 2/2012 Chudzik ..... A45D 8/20  
132/277

(72) Inventor: **Shih Ling Hsu**, Tainan (TW) D712,093 S \* 8/2014 Hsu ..... D28/40  
D737,510 S \* 8/2015 Wright ..... D28/40  
9,232,841 B1 \* 1/2016 Hsu ..... A45D 8/20

(\*\*) Term: **15 Years** 2008/0149129 A1 \* 6/2008 Yang ..... A45D 8/20  
132/277

(21) Appl. No.: **29/527,988** 2009/0272398 A1 \* 11/2009 Chudzik ..... A45D 8/20  
132/277

(22) Filed: **May 22, 2015** 2009/0277469 A1 \* 11/2009 Hsu ..... A45D 8/20  
132/277

(51) **LOC (10) Cl.** ..... **28-03**

(52) **U.S. Cl.**  
USPC ..... **D28/41**

(58) **Field of Classification Search**  
USPC ..... D28/39-43, 31-34; D11/1-5; 132/126,  
132/128-131, 144, 148, 275-284  
CPC ..... A45D 8/20; A45D 8/24; A45D 8/34  
See application file for complete search history.

\* cited by examiner

*Primary Examiner* — Susan Bennett Hattan  
*Assistant Examiner* — Rebecca Tsehaye

(57) **CLAIM**

The ornamental design for the hairclip, as shown and described.

**DESCRIPTION**

(56) **References Cited**

U.S. PATENT DOCUMENTS

D325,047 S \* 3/1992 Chou ..... D19/65  
D381,119 S \* 7/1997 Chang ..... D28/25  
D415,591 S \* 10/1999 Knudsen ..... D28/40  
D541,983 S \* 5/2007 Au ..... D28/40  
7,299,808 B2 \* 11/2007 Lau ..... A45D 8/20  
132/277  
7,753,058 B2 \* 7/2010 Chudzik ..... A45D 8/20  
132/276  
D642,738 S \* 8/2011 Hsu ..... D28/40

FIG. 1 is a perspective view of the hairclip showing my new design;

FIG. 2 is a front elevation view thereof;

FIG. 3 is a rear elevation view thereof;

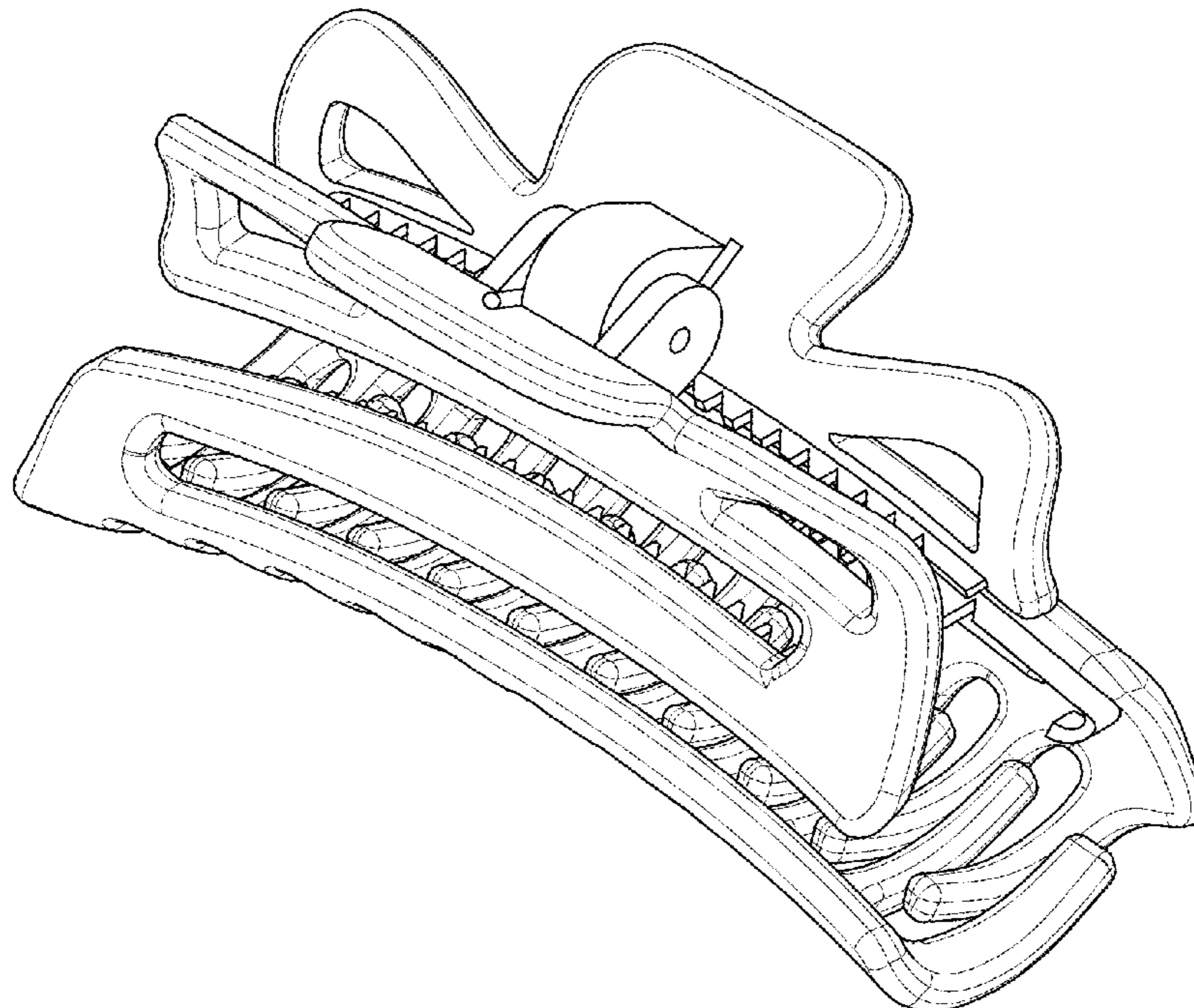
FIG. 4 is a left side elevation view thereof;

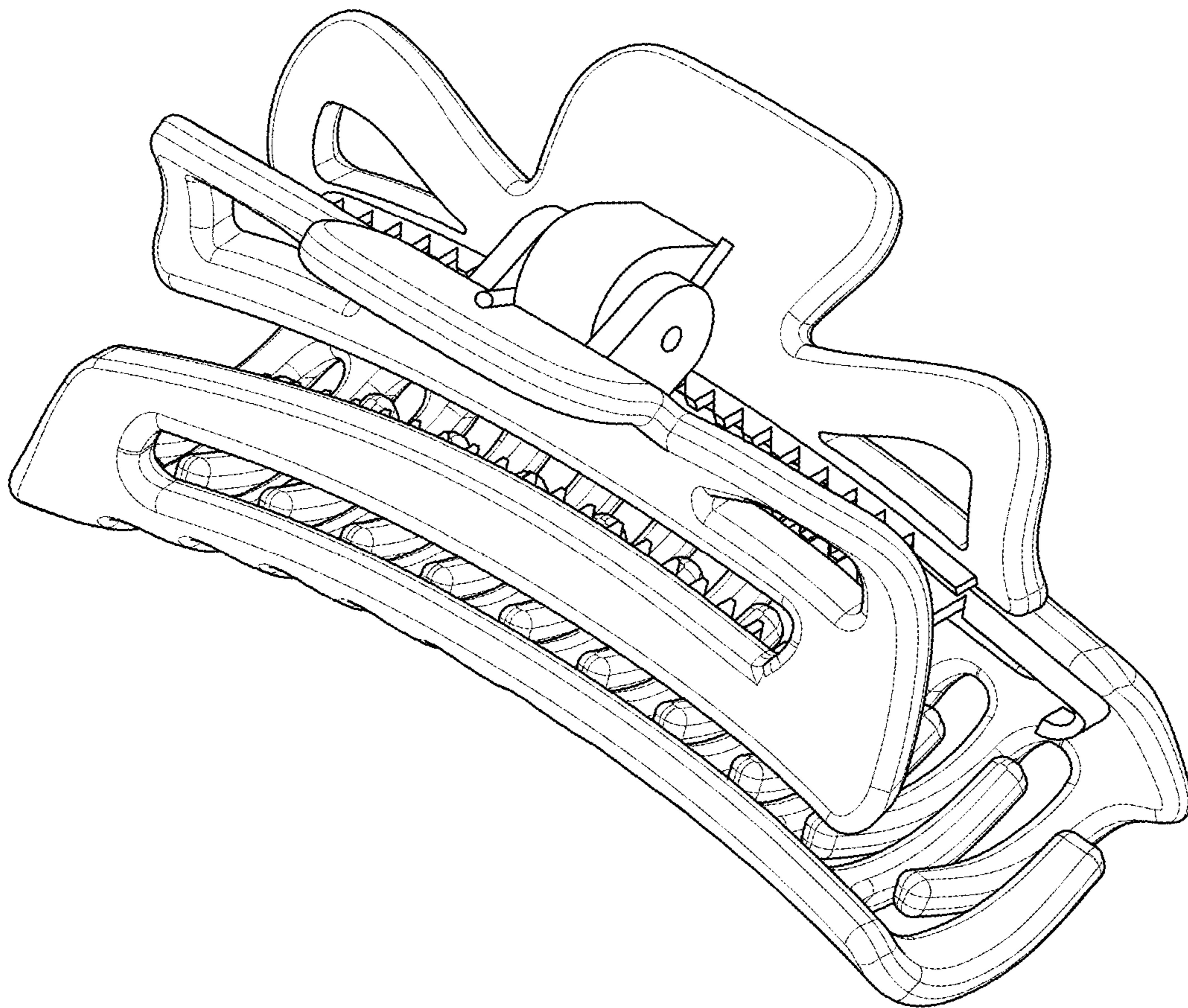
FIG. 5 is a right side elevation view thereof;

FIG. 6 is a top plan view thereof; and,

FIG. 7 is a bottom plan view thereof.

**1 Claim, 7 Drawing Sheets**





F I G . 1

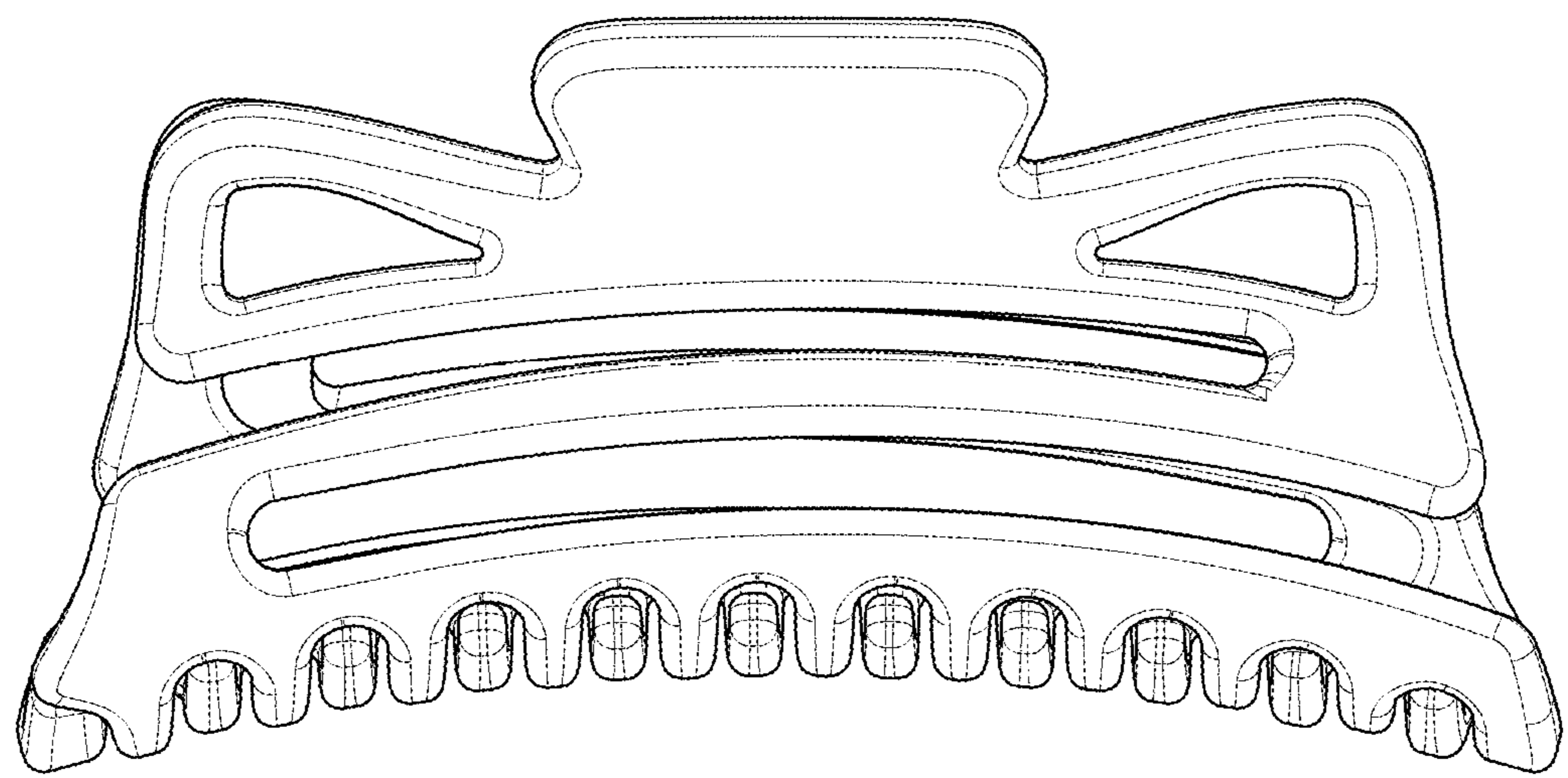


FIG. 2

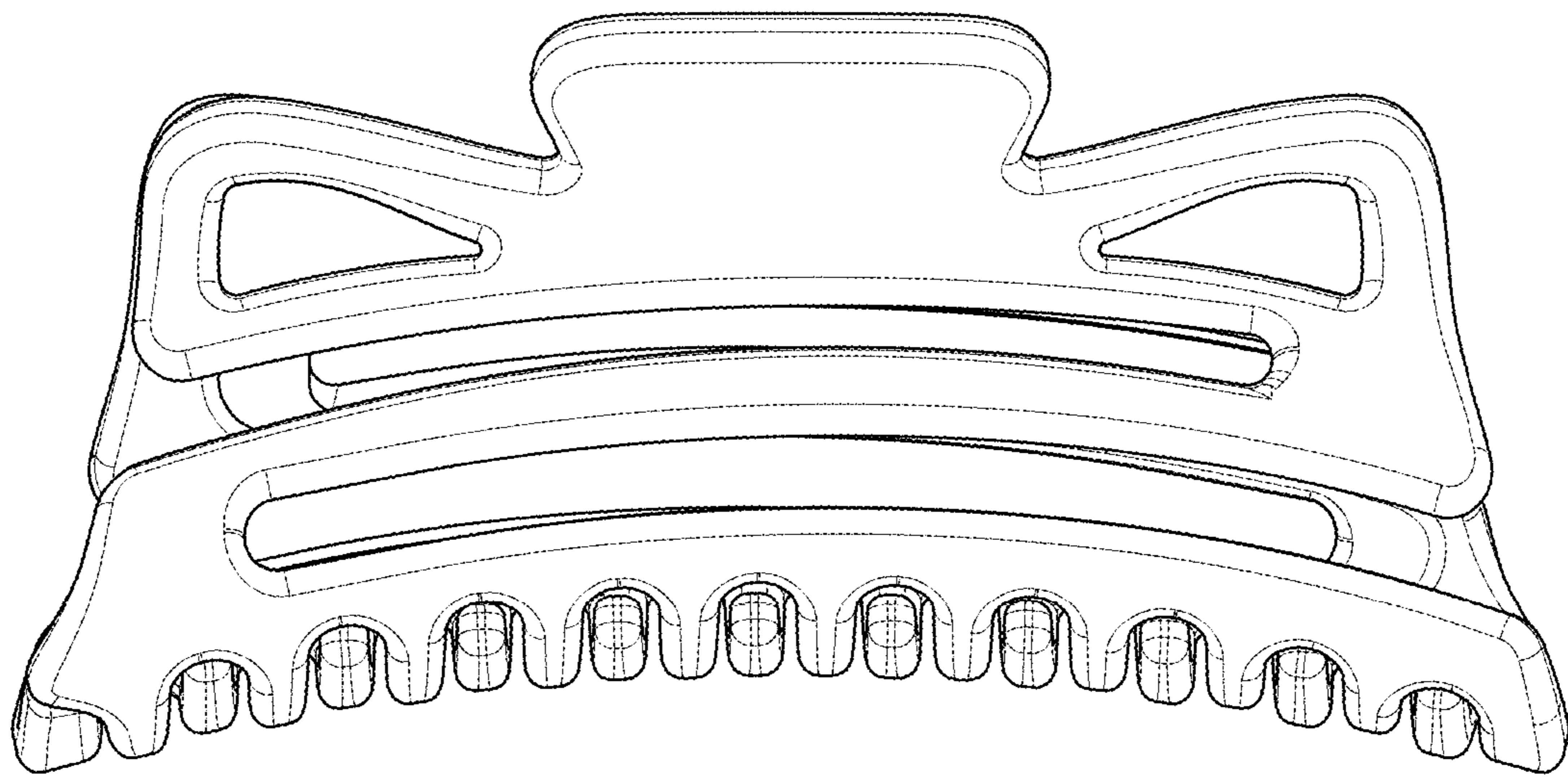
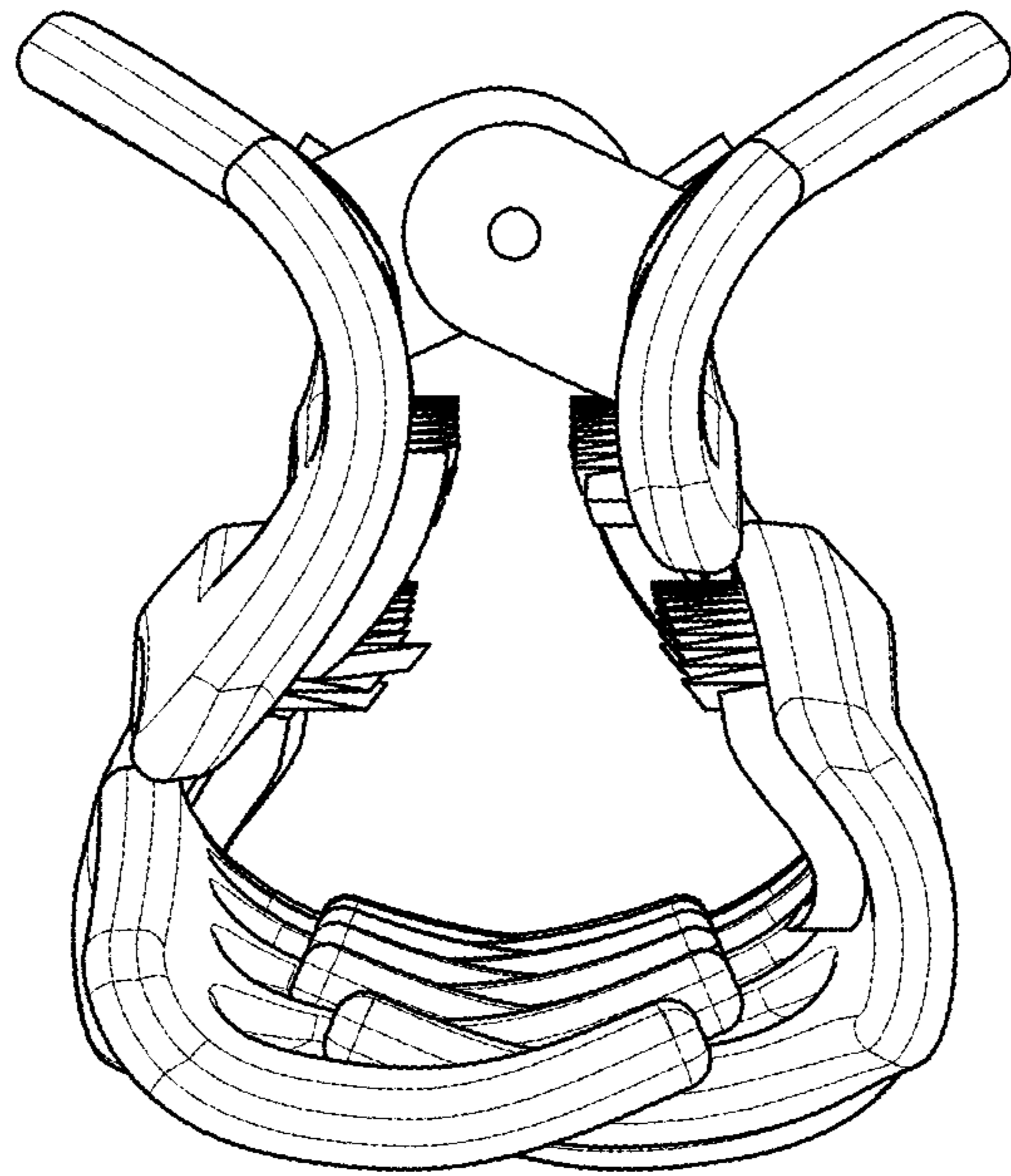


FIG. 3



F I G . 4

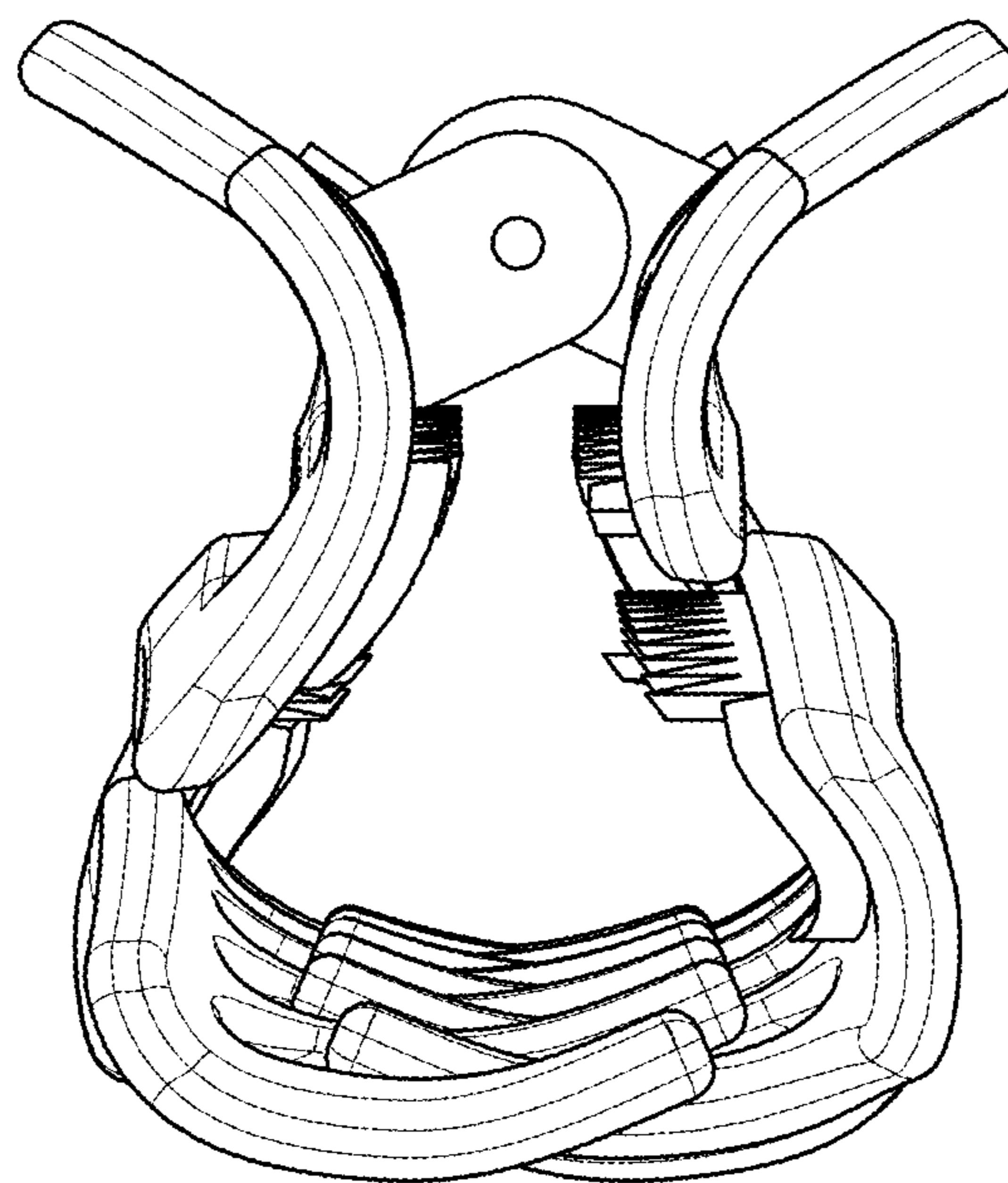


FIG. 5

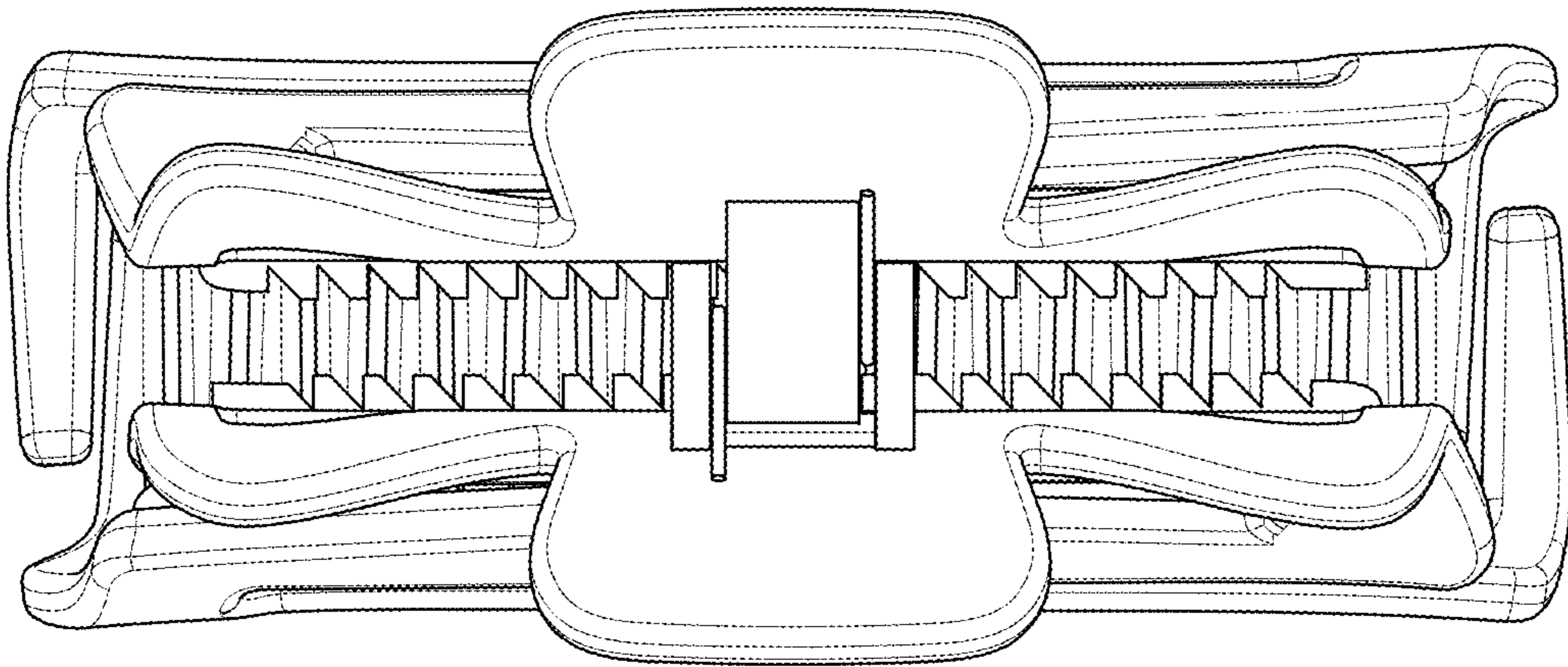


FIG. 6

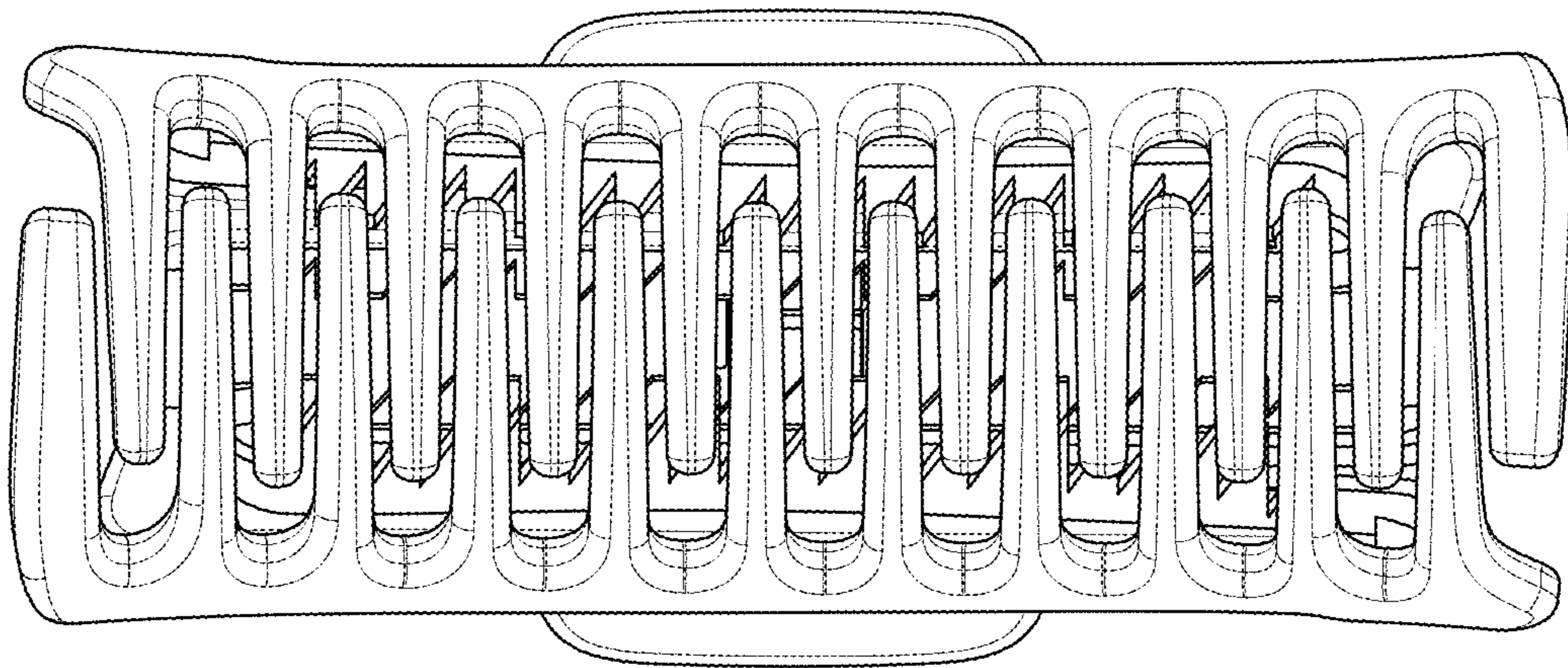


FIG. 7