



US00D771867S

(12) **United States Design Patent** (10) **Patent No.:** **US D771,867 S**
Leidel et al. (45) **Date of Patent:** **** Nov. 15, 2016**

(54) **PERSONAL VAPORIZER**
(71) Applicant: **The Hand Media, Inc**, Miami, FL (US)
(72) Inventors: **Brandon Leidel**, Miami, FL (US);
Eduardo Rodriguez, Miami, FL (US)
(**) Term: **15 Years**
(21) Appl. No.: **29/552,406**
(22) Filed: **Jan. 21, 2016**
(51) **LOC (10) Cl.** **27-02**
(52) **U.S. Cl.**
USPC **D27/163**
(58) **Field of Classification Search**
USPC D3/203.1, 203.6; D9/432; D13/118,
D13/119; D27/100, 139, 141, 142, 143,
D27/144, 162, 163, 164, 167, 172-193, 194
CPC A24F 47/00; A24F 47/008; H05B 3/03;
A61M 16/108; A61M 16/10
See application file for complete search history.

(56) **References Cited**
U.S. PATENT DOCUMENTS
D346,878 S * 5/1994 Gee D27/194
D368,552 S * 4/1996 Adams D27/194
5,934,289 A * 8/1999 Watkins A24F 47/008
128/202.21
D433,532 S * 11/2000 Higgins D27/186
6,615,840 B1 * 9/2003 Fournier A24F 47/008
131/194
D547,440 S * 7/2007 Louet-Feisser D24/110
D547,859 S * 7/2007 Choi D24/113
D577,150 S 9/2008 Bryman
D647,247 S 10/2011 Jones
D649,708 S 11/2011 Oneil
D690,002 S 9/2013 Storey
D724,263 S 3/2015 Malhi
D728,855 S * 5/2015 Liu D27/163
D729,444 S 5/2015 Leidel
D730,572 S 5/2015 Leidel
D733,356 S 6/2015 Leidel
D742,062 S * 10/2015 Almsberger D27/143
D743,099 S 11/2015 Oglesby
D748,325 S * 1/2016 Leidel D27/163

D753,336 S * 4/2016 Chen D27/101
D758,656 S * 6/2016 Freshwater D27/163
2002/0005207 A1 * 1/2002 Wrenn A24C 5/478
131/194
2009/0283103 A1 * 11/2009 Nielsen A24F 1/30
131/273
2010/0163063 A1 * 7/2010 Fernando A24F 47/008
131/184.1
2010/0313901 A1 * 12/2010 Fernando A24F 47/008
131/330
2014/0014125 A1 * 1/2014 Fernando A24F 47/008
131/328
2014/0217085 A1 * 8/2014 Alima F23Q 7/16
219/474
2014/0283824 A1 * 9/2014 Wheelock A61M 11/041
128/202.21
2015/0053217 A1 * 2/2015 Steingraber A24F 47/008
131/329

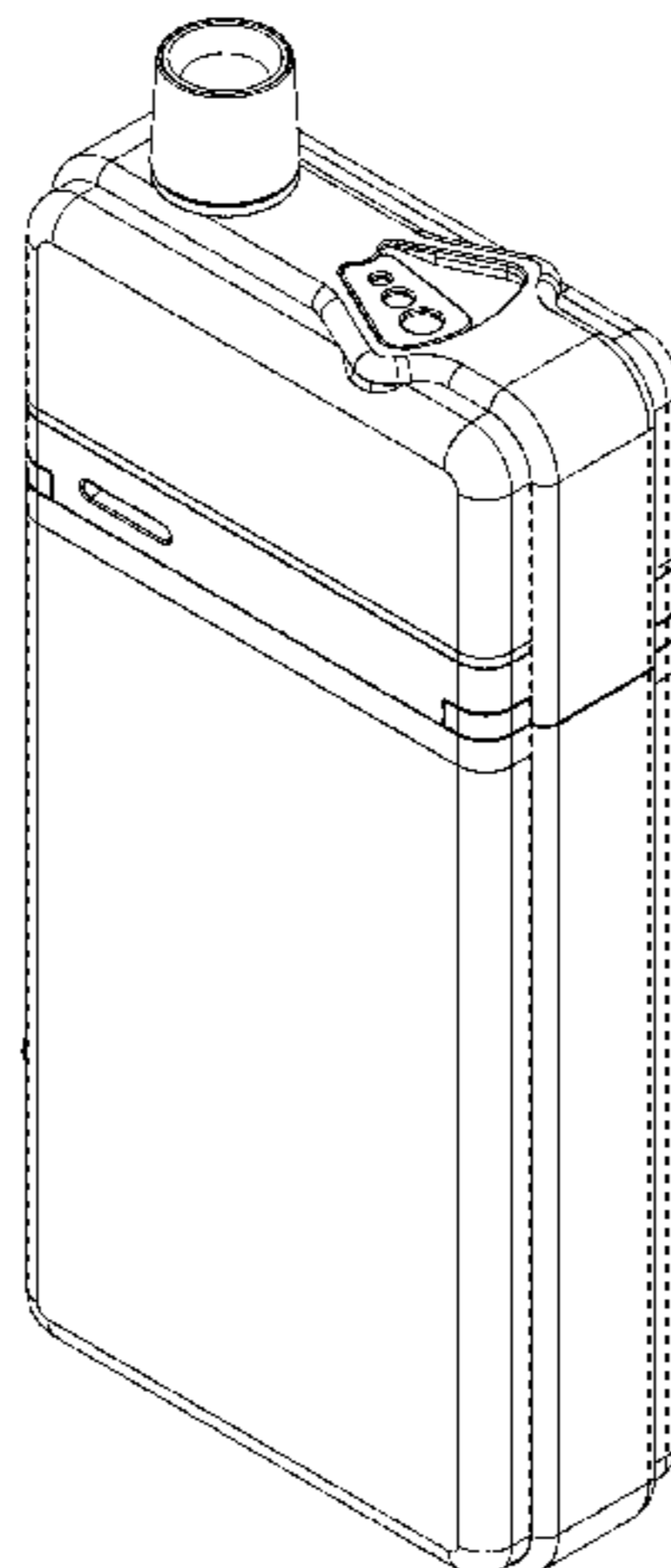
* cited by examiner

Primary Examiner — Robert M Spear
Assistant Examiner — Marissa J Cash
(74) *Attorney, Agent, or Firm* — Christopher J. VanDam,
PA; Chris Vandam

(57) **CLAIM**
The ornamental design for a personal vaporizer, as shown
and described.

DESCRIPTION
FIG. 1 shows a perspective view of a personal vaporizer.
FIG. 2 shows an elevation view of the personal vaporizer.
FIG. 3 shows an elevation view of the personal vaporizer.
FIG. 4 shows an elevation view of the personal vaporizer.
FIG. 5 shows a plan view of the personal vaporizer.
FIG. 6 shows a plan view of the personal vaporizer.
FIG. 7 shows a perspective view of the personal vaporizer.
FIG. 8 shows an exploded elevation view of the personal
vaporizer.
FIG. 9 shows an exploded perspective view of the personal
vaporizer; and,
FIG. 10 shows a perspective view of the personal vaporizer.
The broken lines in the drawings represent unclaimed envi-
ronmental subject matter and form no part of the claim.

1 Claim, 10 Drawing Sheets



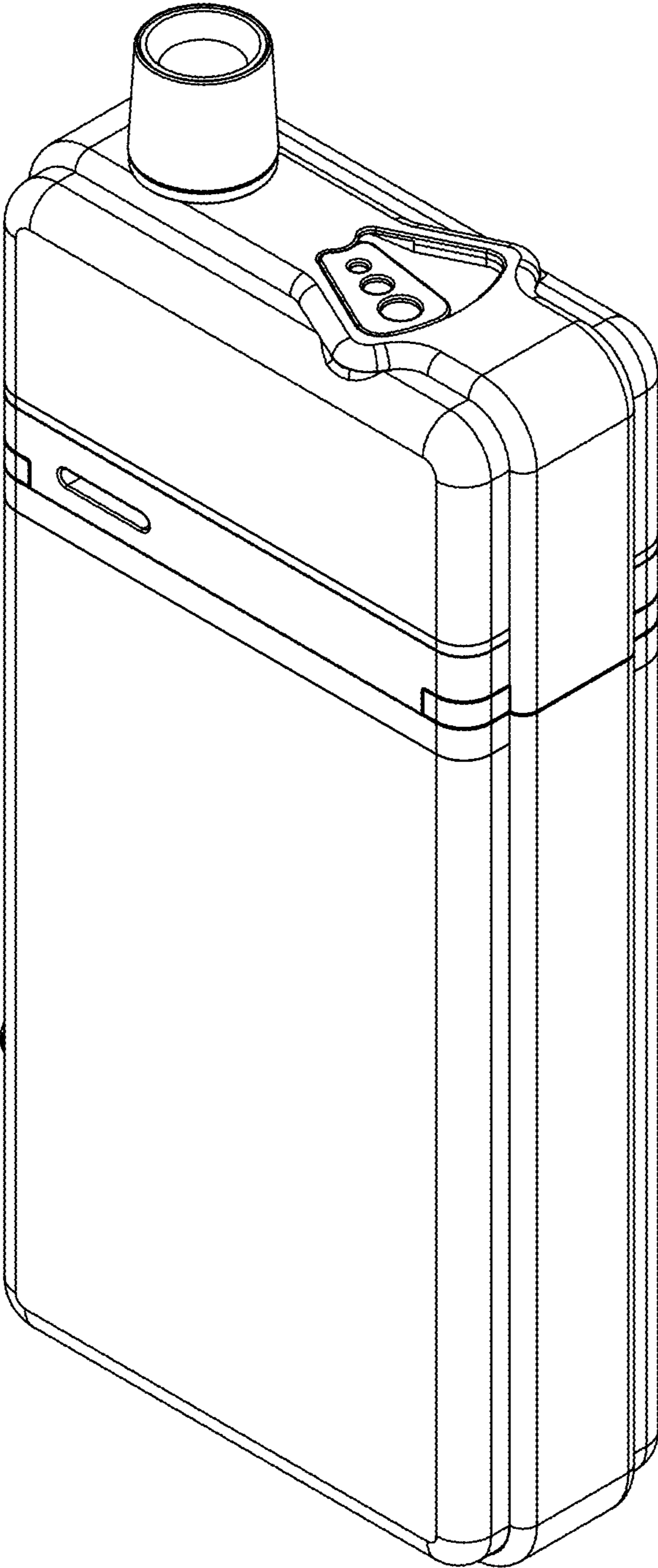


Figure 1

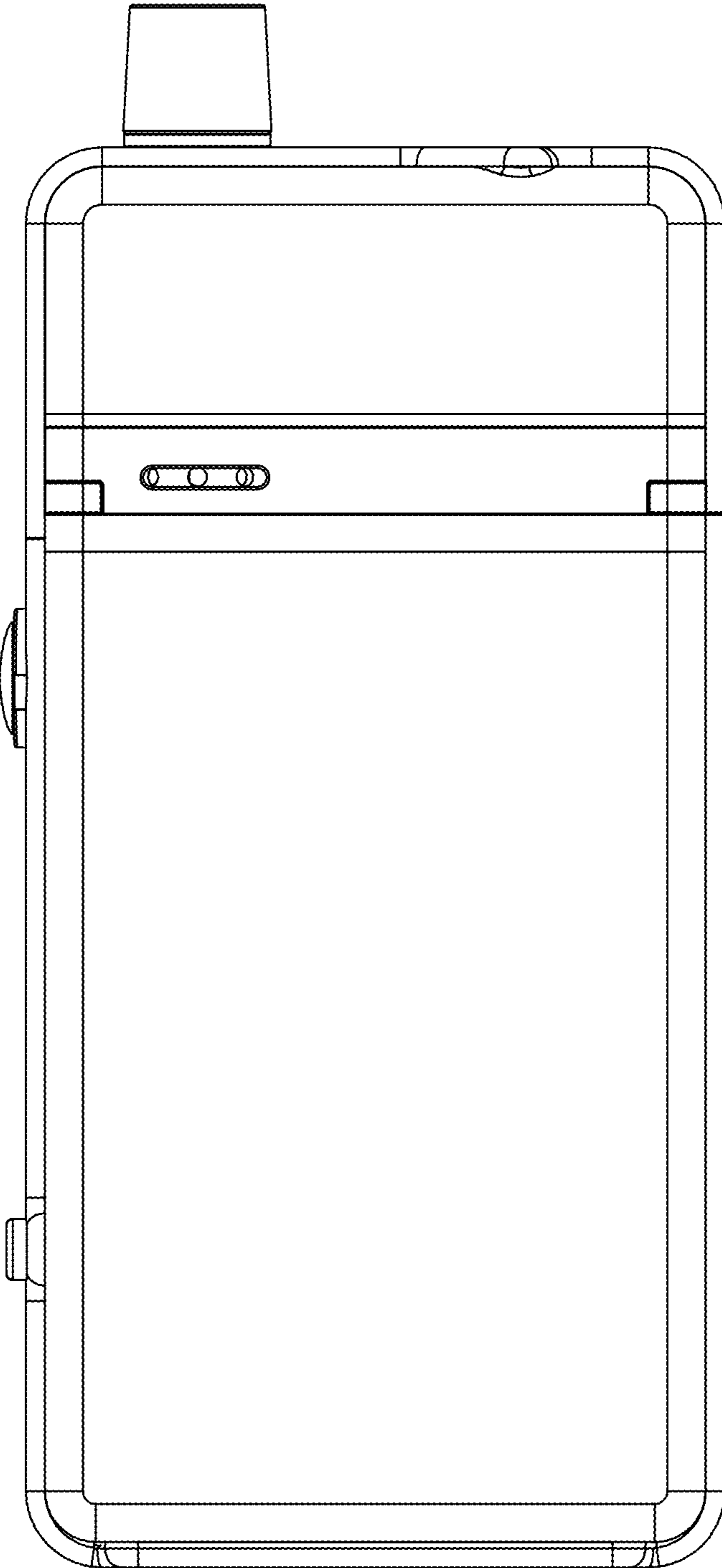


Figure 2

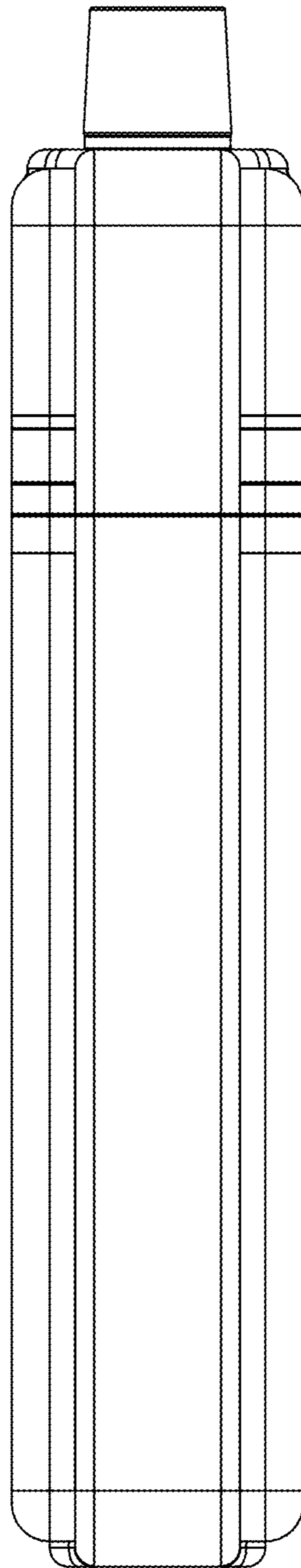


Figure 3

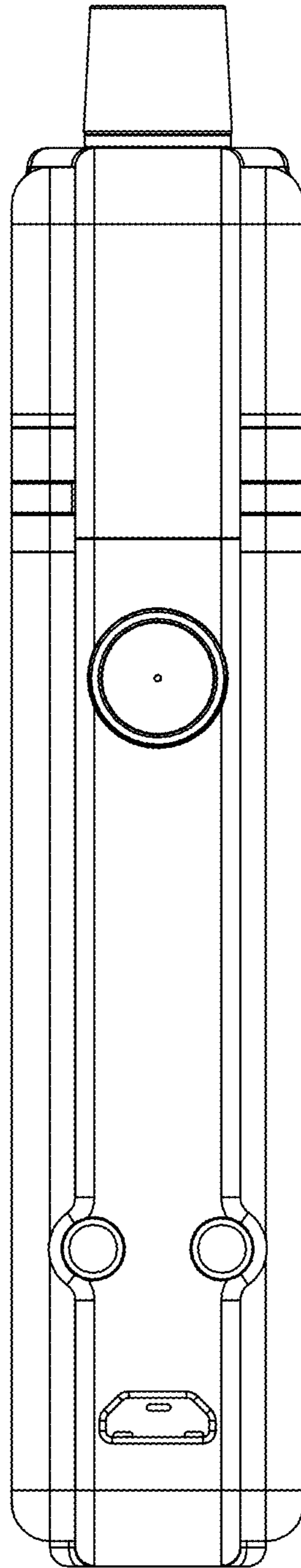


Figure 4

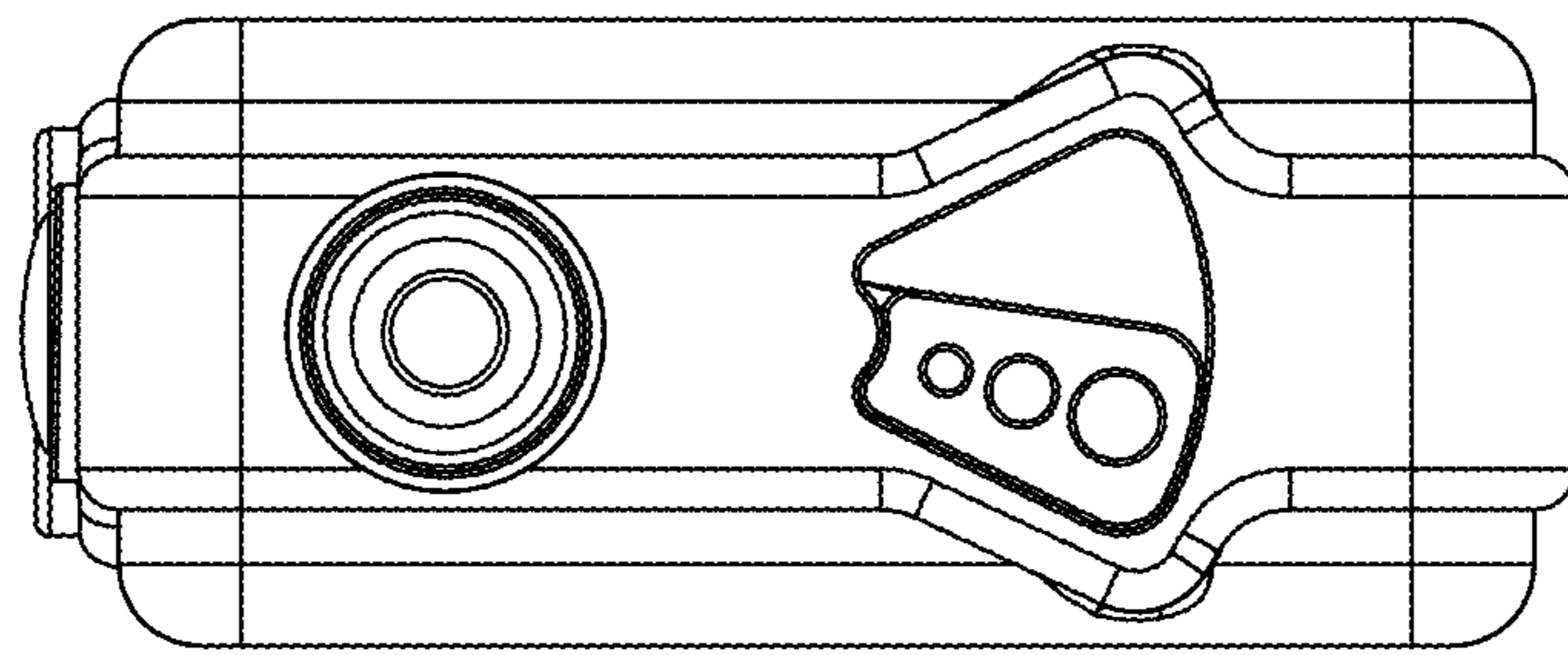


Figure 5

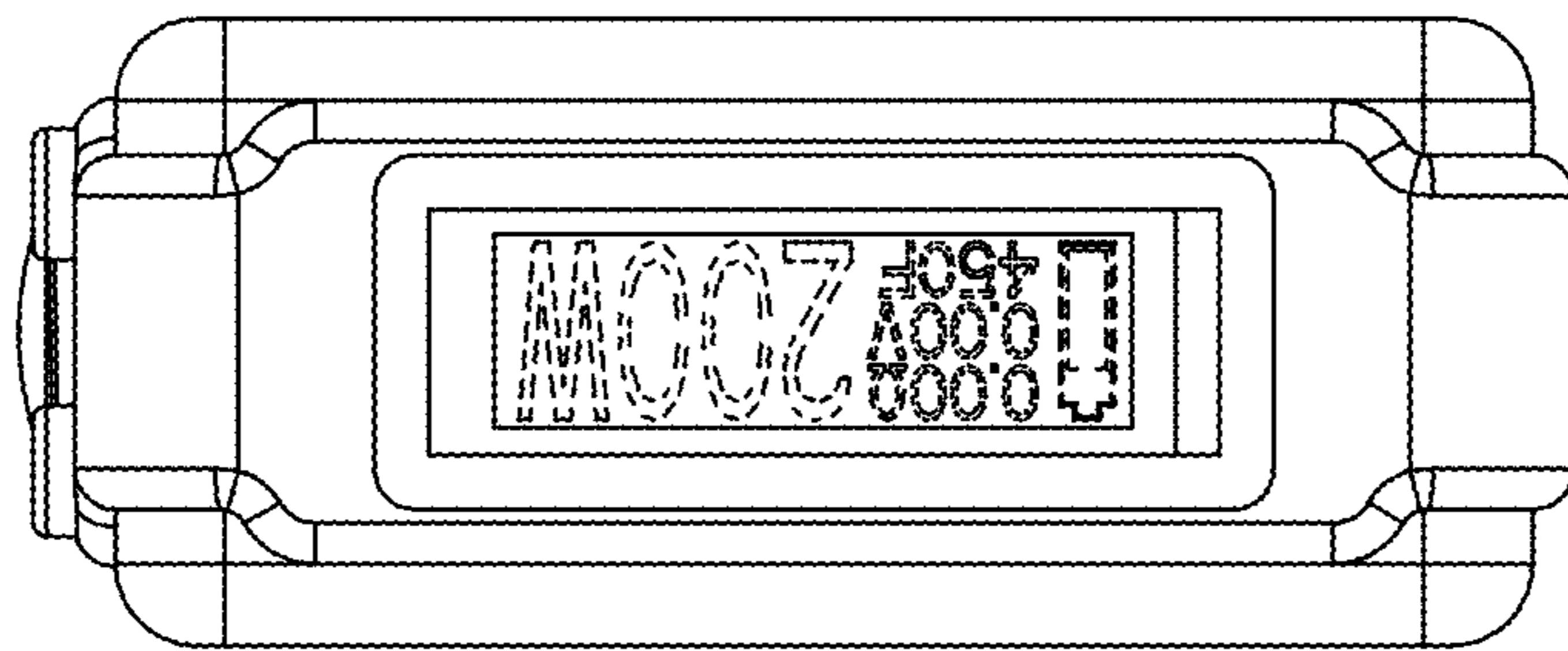


Figure 6

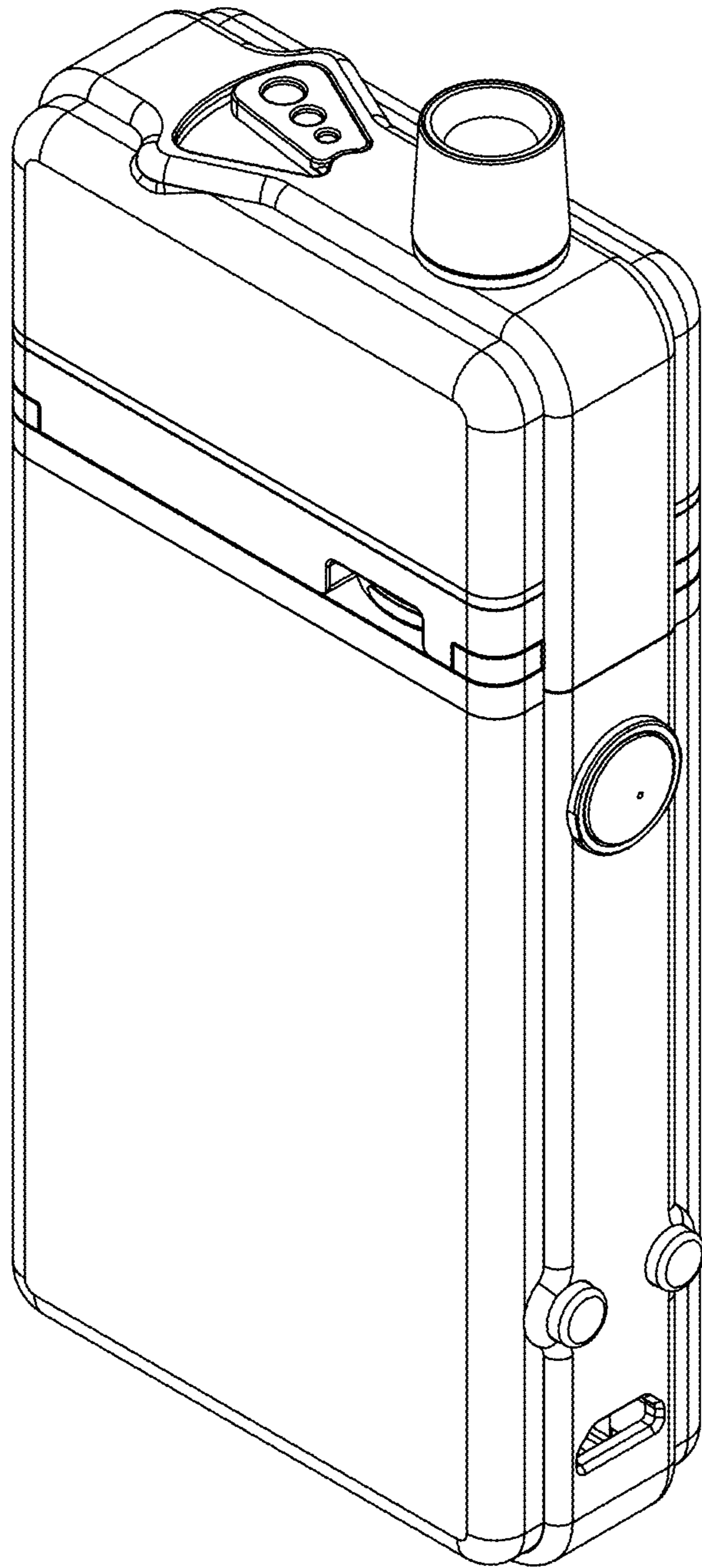


Figure 7

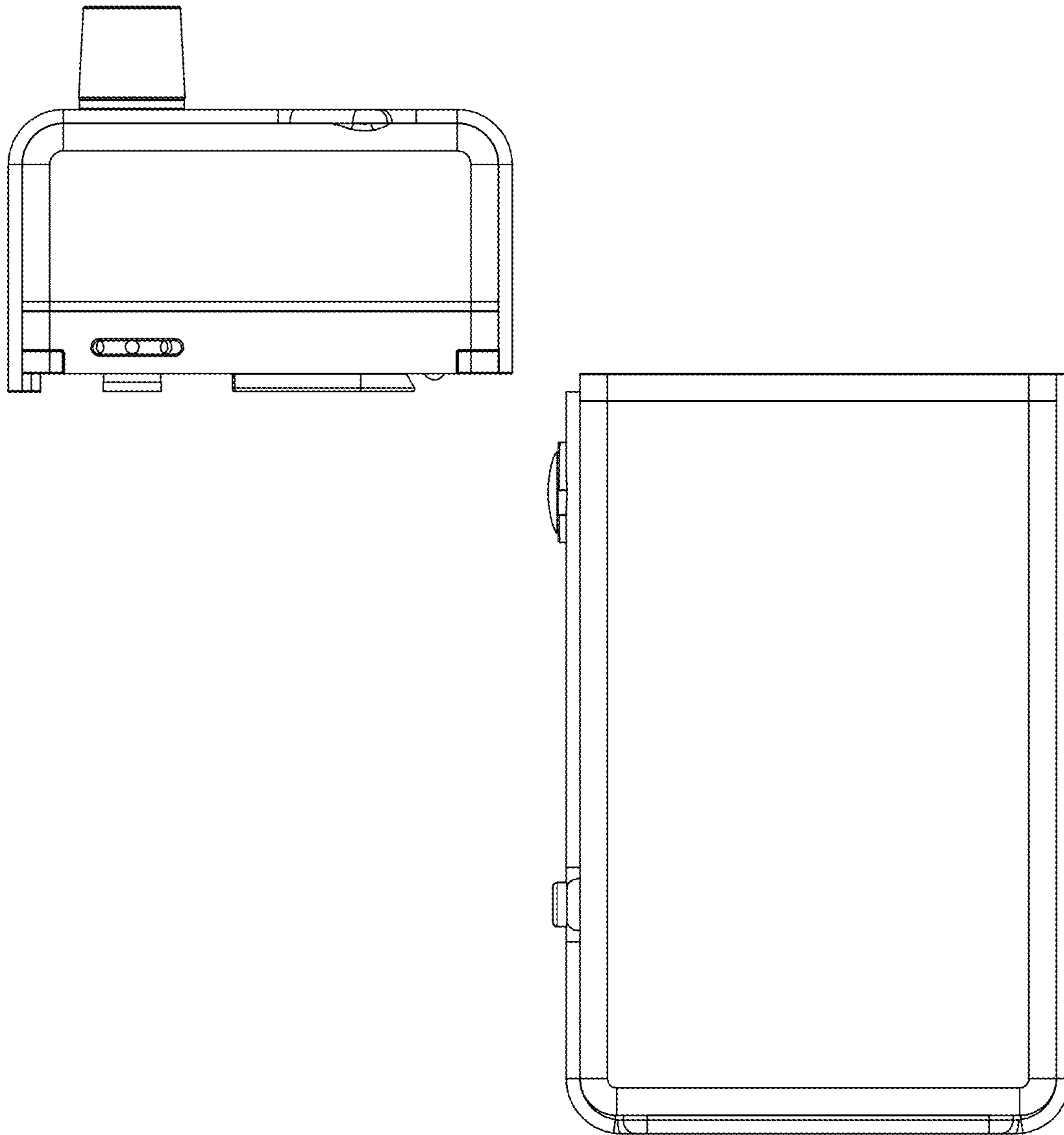


Figure 8

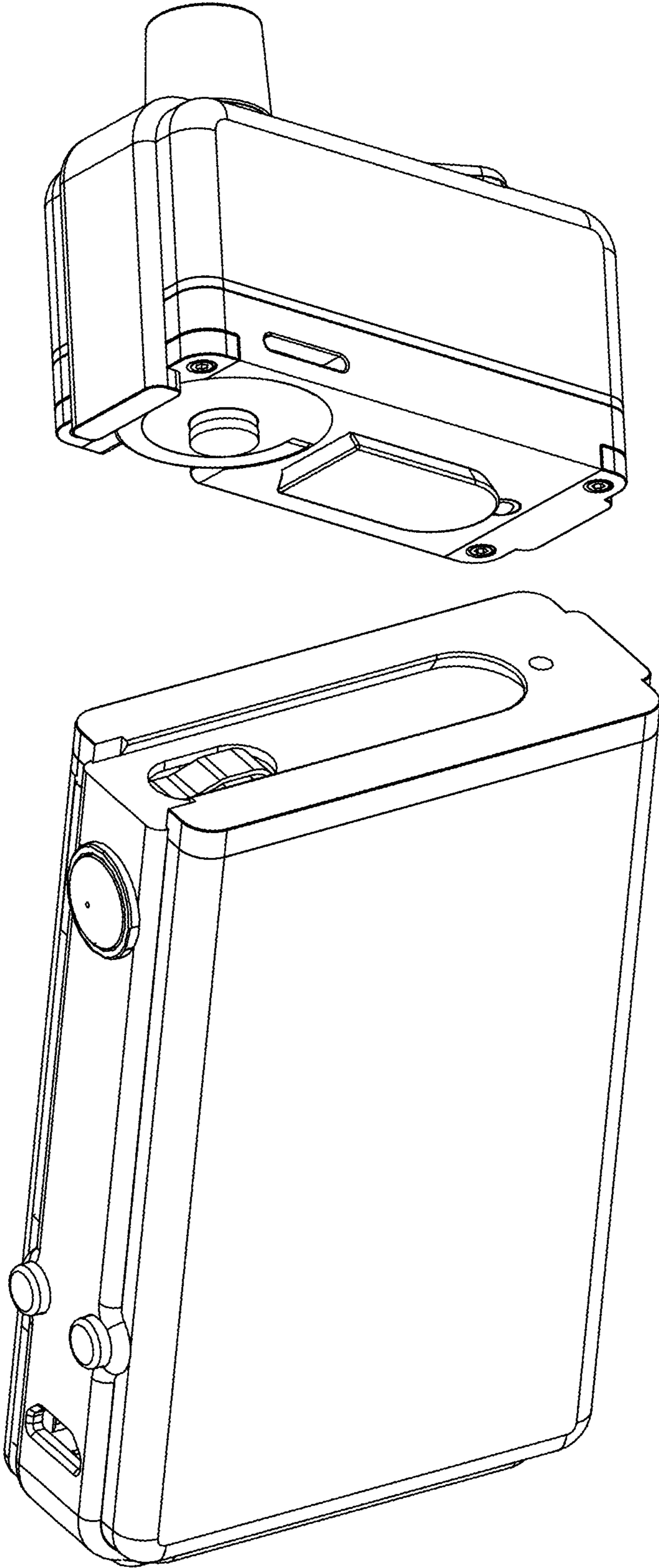


Figure 9

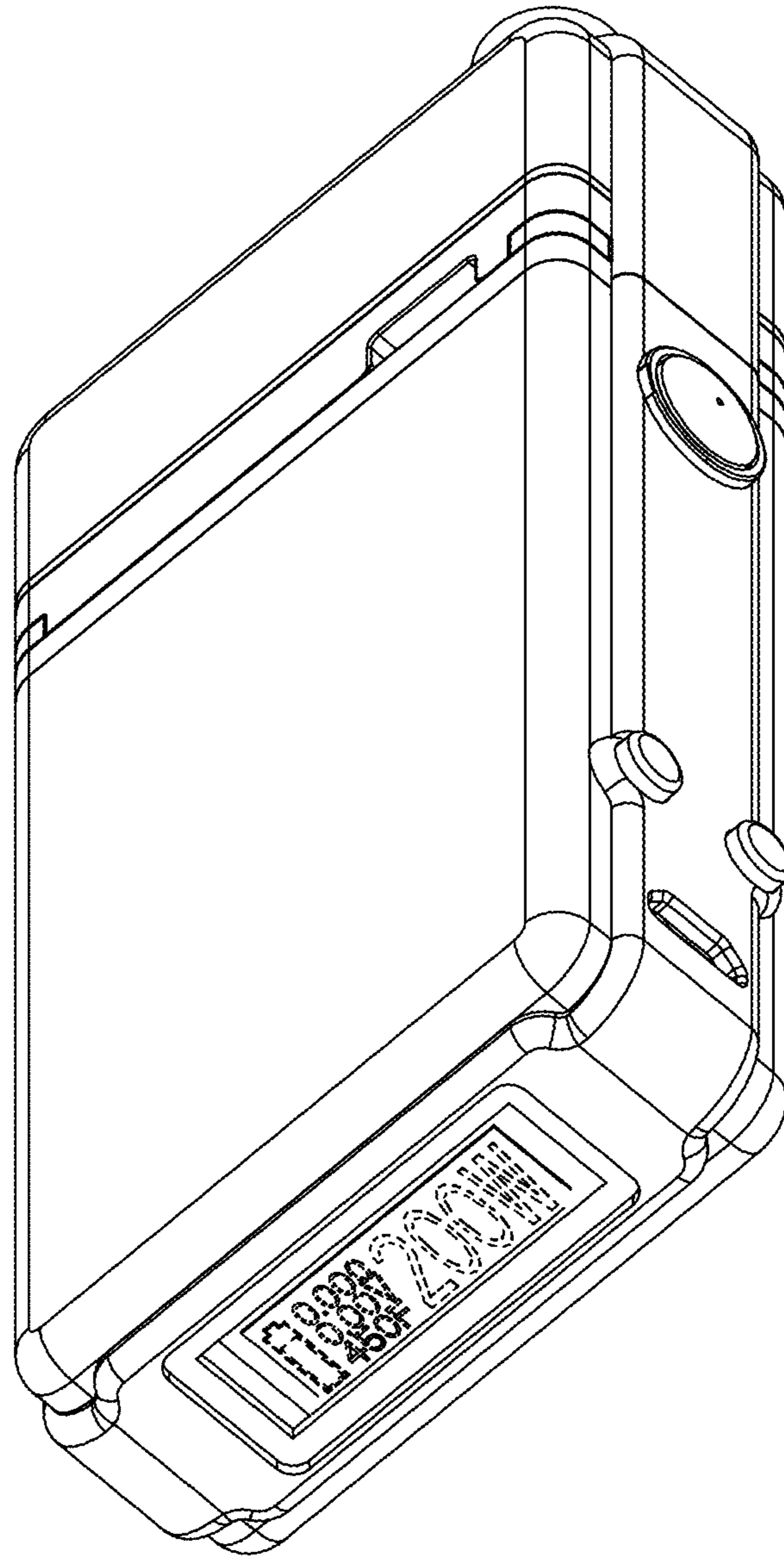


Figure 10