



US00D771861S

(12) **United States Design Patent**
Wu et al.

(10) **Patent No.:** **US D771,861 S**
(45) **Date of Patent:** **** Nov. 15, 2016**

(54) **LED LAMP FIXING STRUCTURE**
(71) Applicant: **UNITY OPTO TECHNOLOGY CO., LTD.**, New Taipei (TW)
(72) Inventors: **Chih-Hsien Wu**, New Taipei (TW);
Po-Wen Hsiao, New Taipei (TW);
Han-Chi Chi, New Taipei (TW)
(73) Assignee: **UNITY OPTO TECHNOLOGY CO., LTD.**, New Taipei (TW)

(**) Term: **14 Years**
(21) Appl. No.: **29/497,752**
(22) Filed: **Jul. 28, 2014**

(30) **Foreign Application Priority Data**
Apr. 1, 2014 (TW) 103301872
(51) **LOC (10) Cl.** **26-99**
(52) **U.S. Cl.**
USPC **D26/138**
(58) **Field of Classification Search**
USPC D26/3, 24, 35, 39, 42, 71, 72, 75, 76,
D26/78, 79, 80, 81, 82, 83, 85, 88, 90, 118,
D26/119, 120, 121, 122, 138; D8/349, 364,
D8/381
CPC F21S 4/00; F21S 4/003; F21S 4/006;
F21S 4/007; F21S 4/008; F21S 6/004;
F21S 6/005; F21K 9/54; F21V 15/01; F21V
15/13
See application file for complete search history.

(56) **References Cited**
U.S. PATENT DOCUMENTS
D403,801 S * 1/1999 Summers D26/138
D481,134 S * 10/2003 Calaicone D25/68

D552,453 S * 10/2007 Cronk D8/354
D554,796 S * 11/2007 Noh D26/138
D603,089 S * 10/2009 Uchida D26/138
D662,653 S * 6/2012 Hochman D26/138
D686,486 S * 7/2013 Densmore D8/349
D738,191 S * 9/2015 Nas D8/349
2006/0098444 A1 * 5/2006 Petruzzi F21S 8/06
362/404
2015/0300585 A1 * 10/2015 Wu F21V 21/112
362/222

* cited by examiner

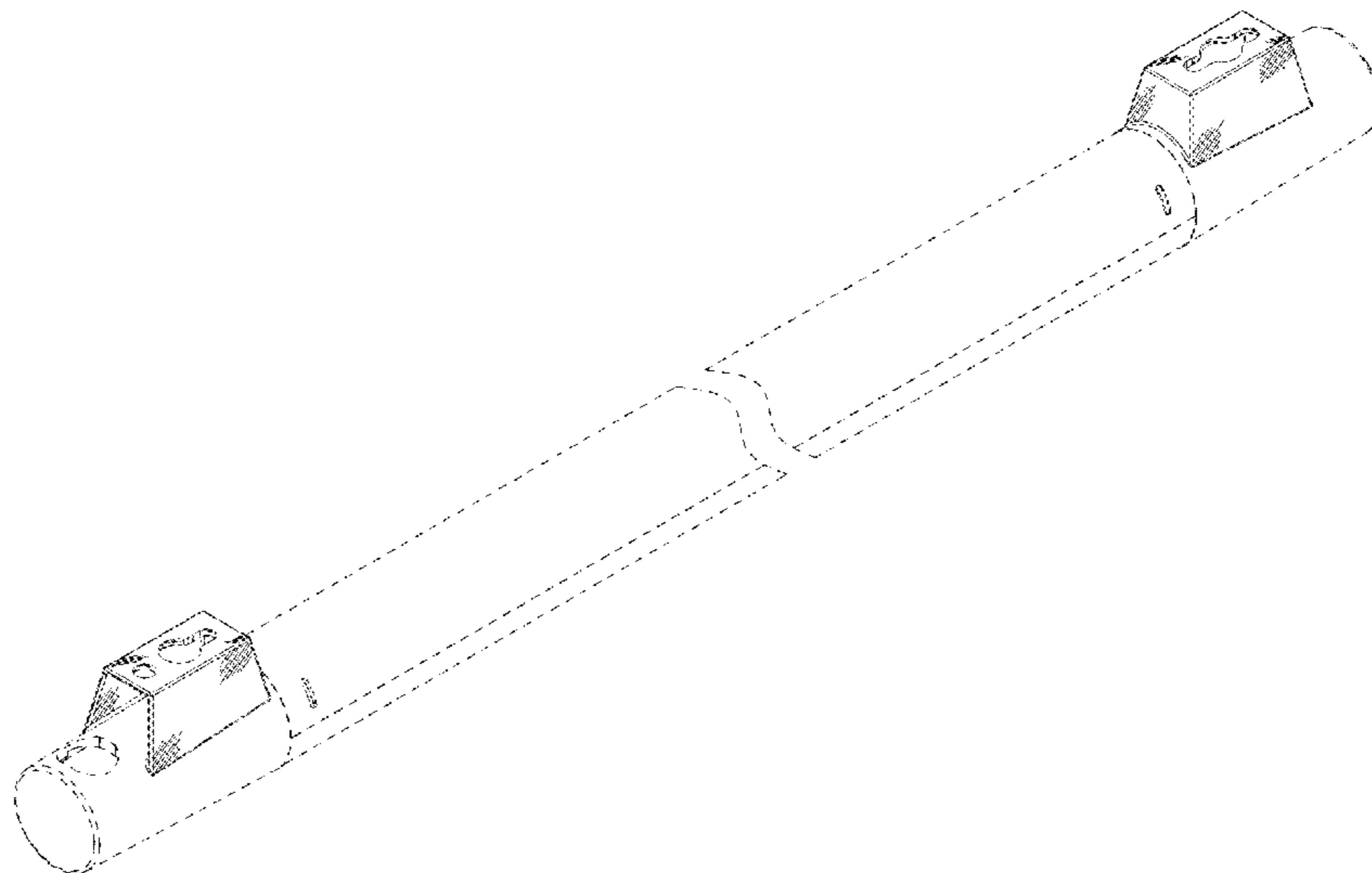
Primary Examiner — George D Kirschbaum
Assistant Examiner — Natasha Vujcic

(74) *Attorney, Agent, or Firm* — Leong C. Lei

(57) **CLAIM**
The ornamental design for a LED lamp fixing structure, as shown and described.

DESCRIPTION
FIG. 1 is a perspective view of a LED lamp fixing structure showing our new design;
FIG. 2 is a front elevational view thereof;
FIG. 3 is a rear elevational view thereof;
FIG. 4 is a left side view thereof;
FIG. 5 is a right side view thereof;
FIG. 6 is a top plan view thereof;
FIG. 7 is a bottom plan view thereof; and,
FIG. 8 is another perspective view thereof.
The broken lines in the drawings illustrates the environment of the LED Lamp fixing structure which forms no part of the claimed design.

1 Claim, 5 Drawing Sheets



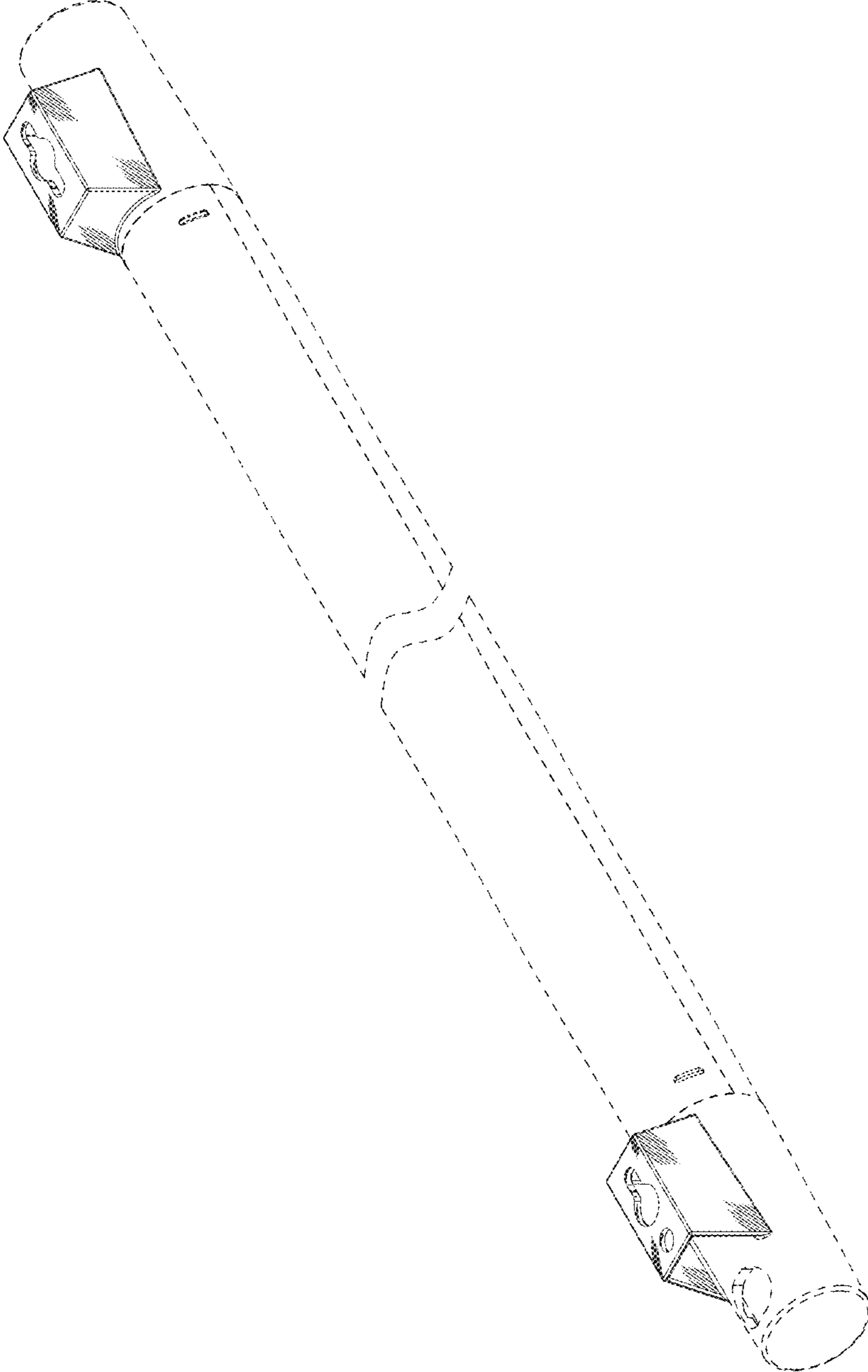


FIG. 1

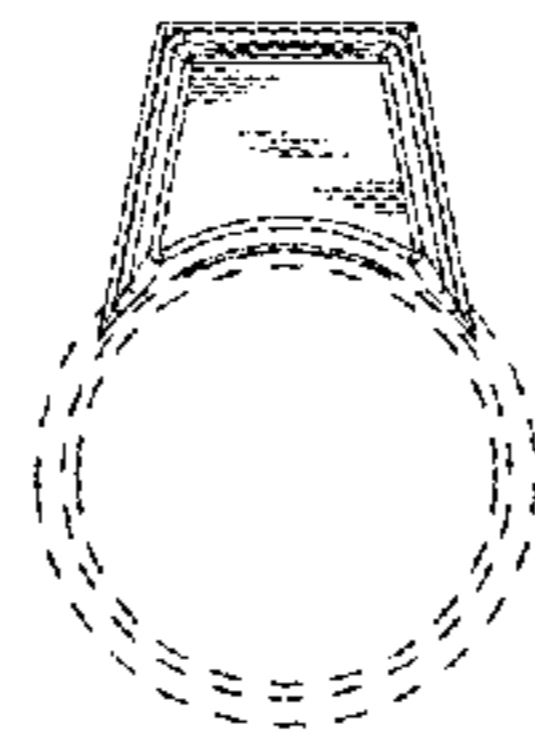


FIG. 2

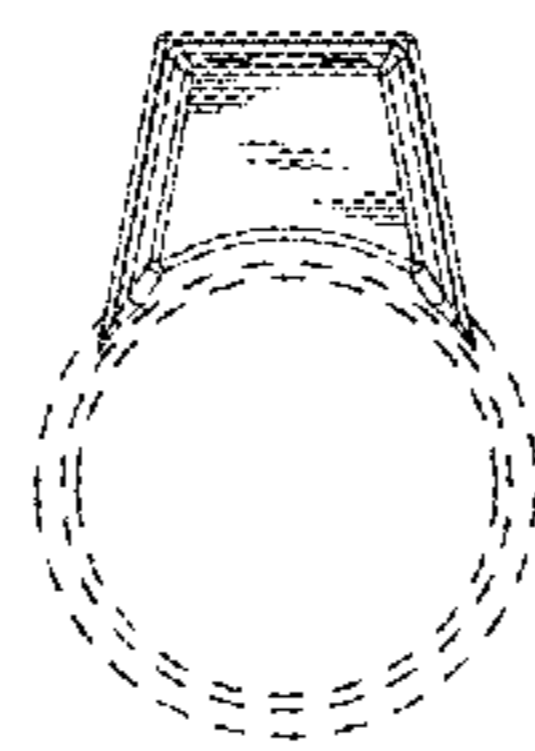


FIG. 3

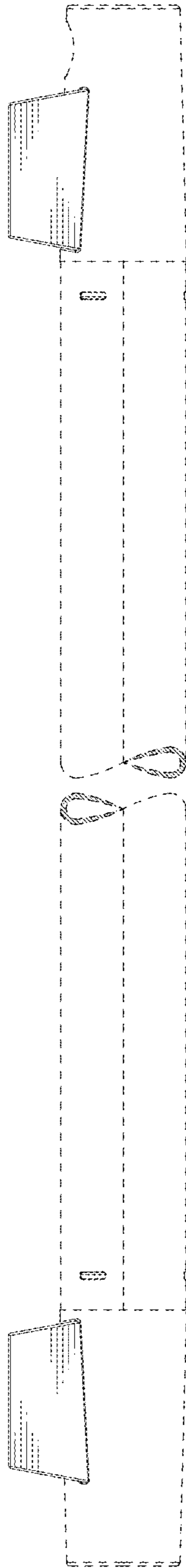


FIG. 4

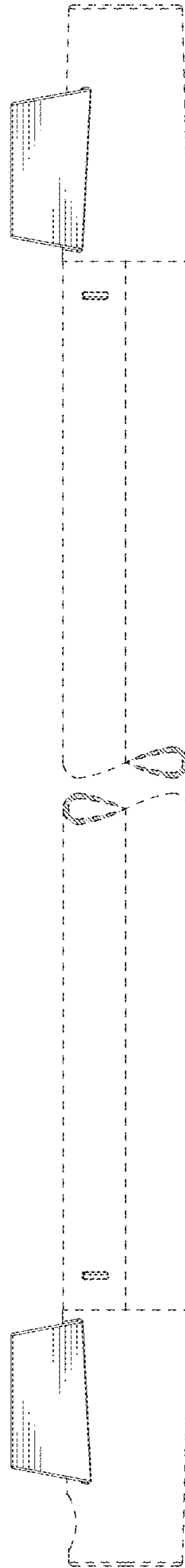


FIG. 5

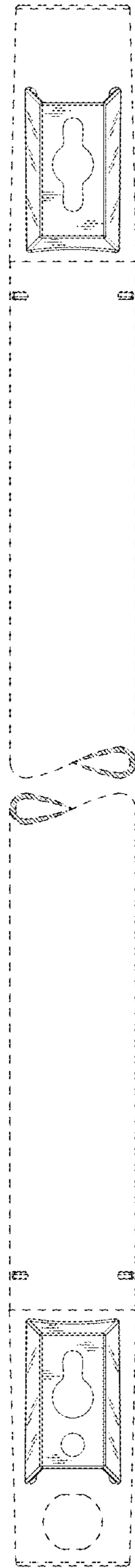


FIG. 6

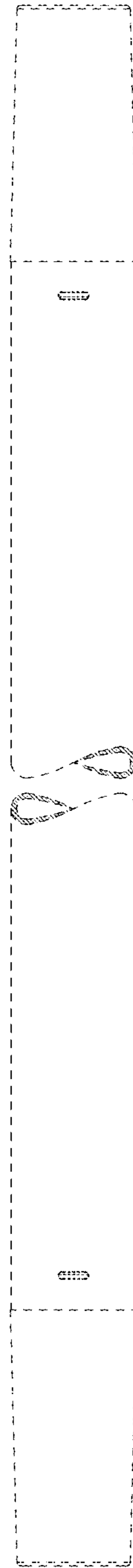


FIG. 7

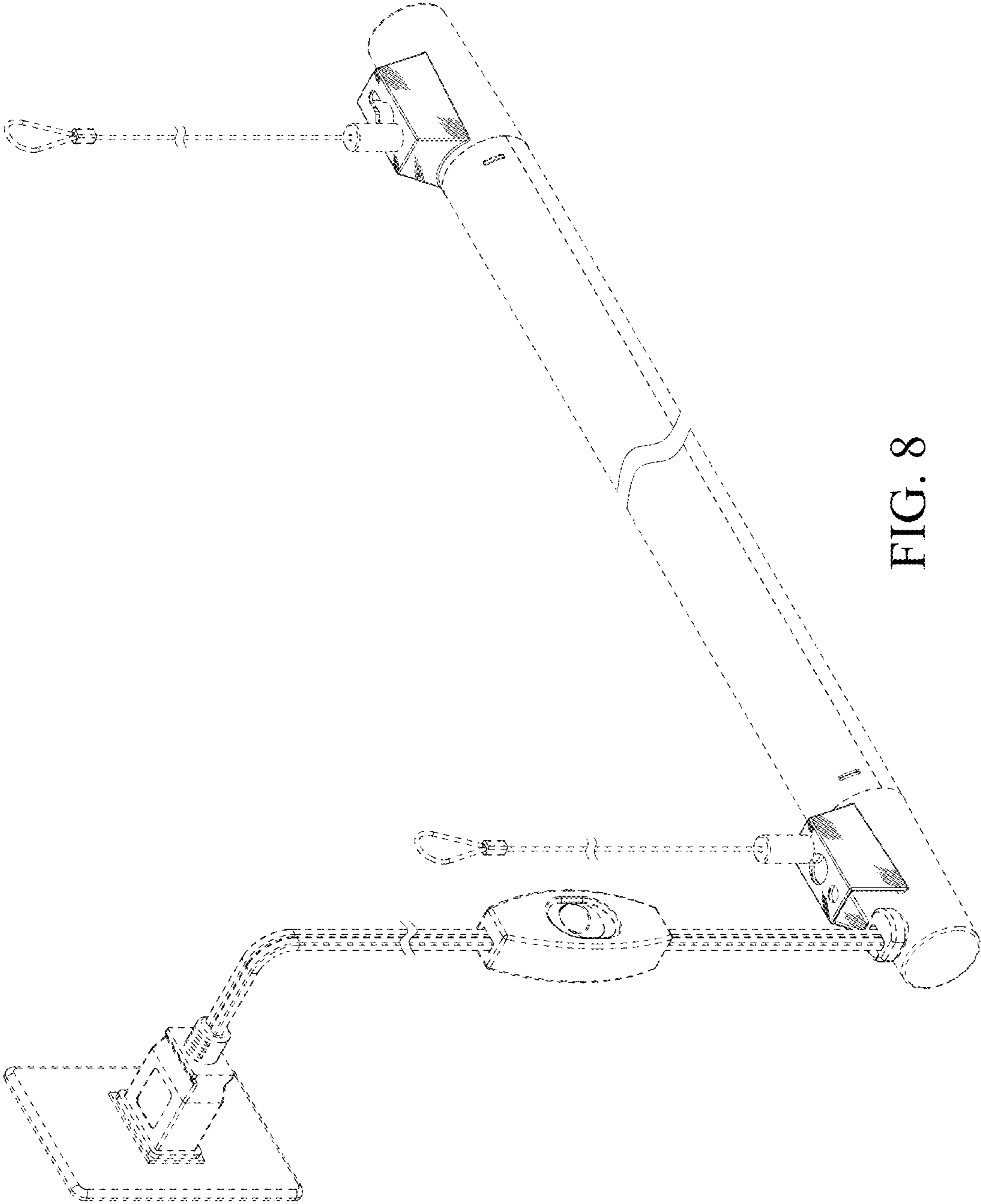


FIG. 8