



US00D771857S

(12) **United States Design Patent**  
**Novák et al.**

(10) **Patent No.:** **US D771,857 S**

(45) **Date of Patent:** **\*\* Nov. 15, 2016**

- (54) **THIN ROADWAY LUMINAIRE**
- (71) Applicant: **GE LIGHTING SOLUTIONS, LLC**,  
East Cleveland, OH (US)
- (72) Inventors: **Krisztián Novák**, BudaPest (HU);  
**Emese Kinga Görgényi**, BudaPest  
(HU)
- (73) Assignee: **GE LIGHTING SOLUTIONS, LLC**,  
East Cleveland, OH (US)

(\*\*) Term: **15 Years**

(21) Appl. No.: **29/539,484**

(22) Filed: **Sep. 15, 2015**

(51) **LOC (10) Cl.** ..... **26-05**

(52) **U.S. Cl.**  
USPC ..... **D26/71**

(58) **Field of Classification Search**  
USPC ..... D26/63, 67-72, 92  
CPC ..... F21S 8/08; F21S 8/085; F21S 8/086;  
F21S 8/088; F21W 2111/02; F21W 2131/103;  
F21W 2131/107  
See application file for complete search history.

(56) **References Cited**

**U.S. PATENT DOCUMENTS**

- D622,889 S \* 8/2010 Zheng ..... D26/71
- D636,920 S \* 4/2011 Boissevain ..... D26/71
- D672,492 S \* 12/2012 Butler ..... D26/71

- D693,513 S \* 11/2013 Nibaldi ..... D26/71
- D694,449 S \* 11/2013 Walker ..... D26/63
- D695,437 S \* 12/2013 Johnson ..... D26/71
- D709,634 S \* 7/2014 Coulbeaut ..... D26/71
- D715,984 S \* 10/2014 Durdle ..... D26/71
- D744,145 S \* 11/2015 Coulbeaut ..... D26/71
- D753,862 S \* 4/2016 Blomqvist ..... D26/71
- 2011/0084629 A1 \* 4/2011 Pini ..... F21S 8/086  
315/312
- 2015/0362172 A1 \* 12/2015 Gabriel ..... F21V 33/0052  
348/151

\* cited by examiner

*Primary Examiner* — Clare E Hefflin

(74) *Attorney, Agent, or Firm* — GE Global Patent  
Operation; Peter T. DiMauro

(57) **CLAIM**

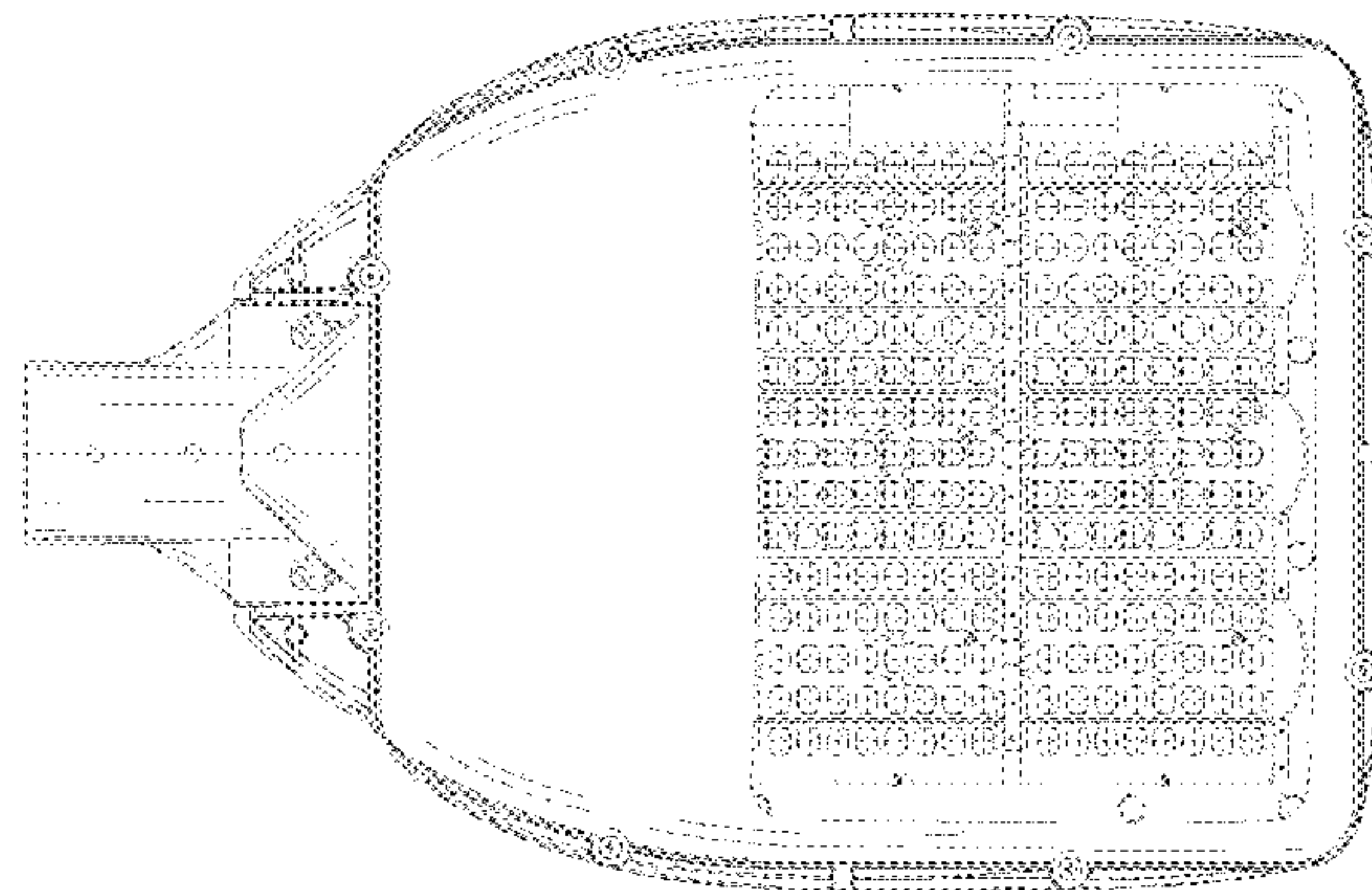
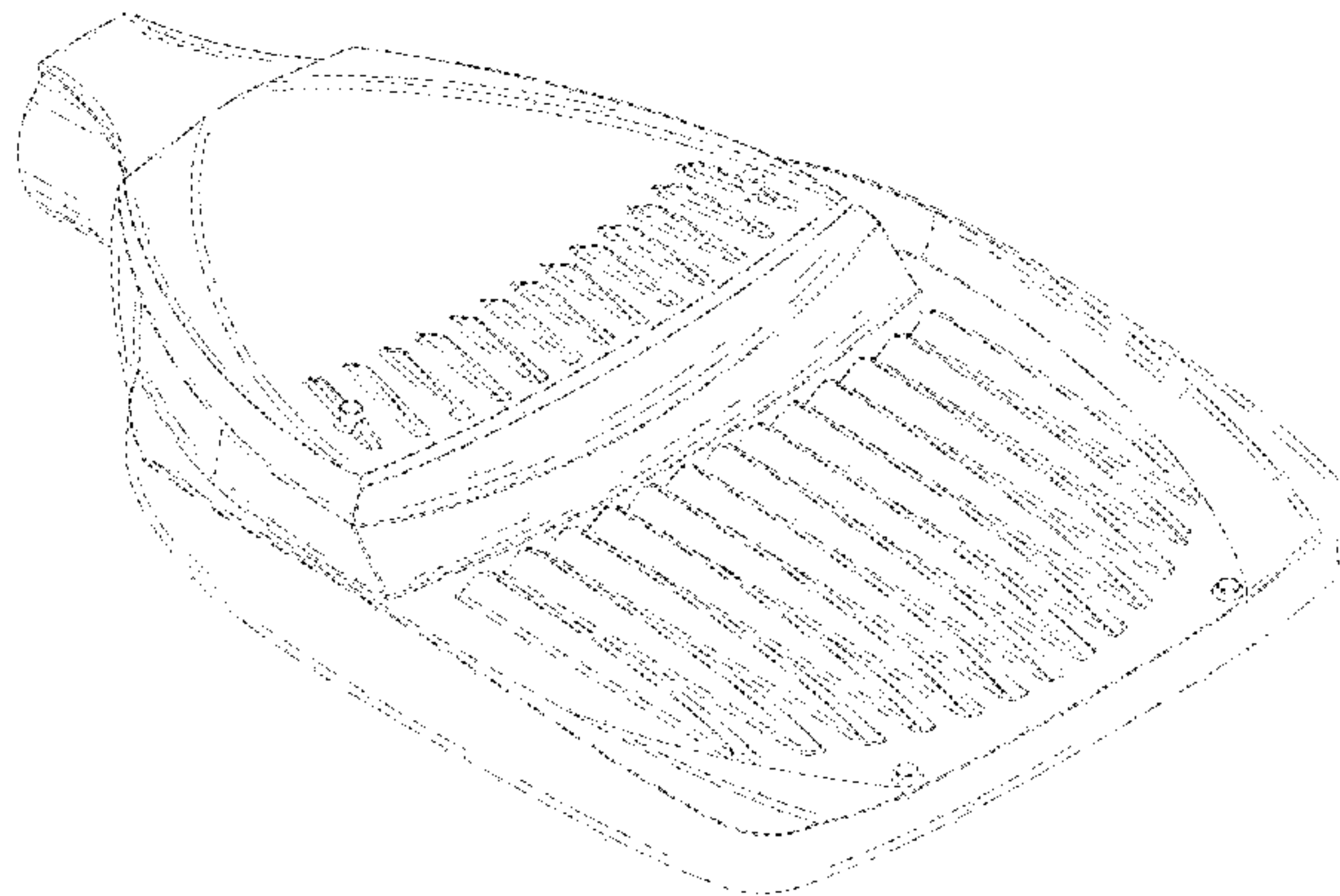
We claim the ornamental design for a thin roadway luminaire, as shown and described.

**DESCRIPTION**

FIG. 1 is a top perspective view of a thin roadway luminaire in accordance with the present design; FIG. 2 is a top view thereof; FIG. 3 is a bottom view thereof; FIG. 4 is a right side view thereof; FIG. 5 is a left side view thereof; FIG. 6 is a front view thereof; and, FIG. 7 is a back view thereof.

The broken lines shown on the drawings depict portions of the thin roadway luminaire that form no part of the claimed design.

**1 Claim, 5 Drawing Sheets**



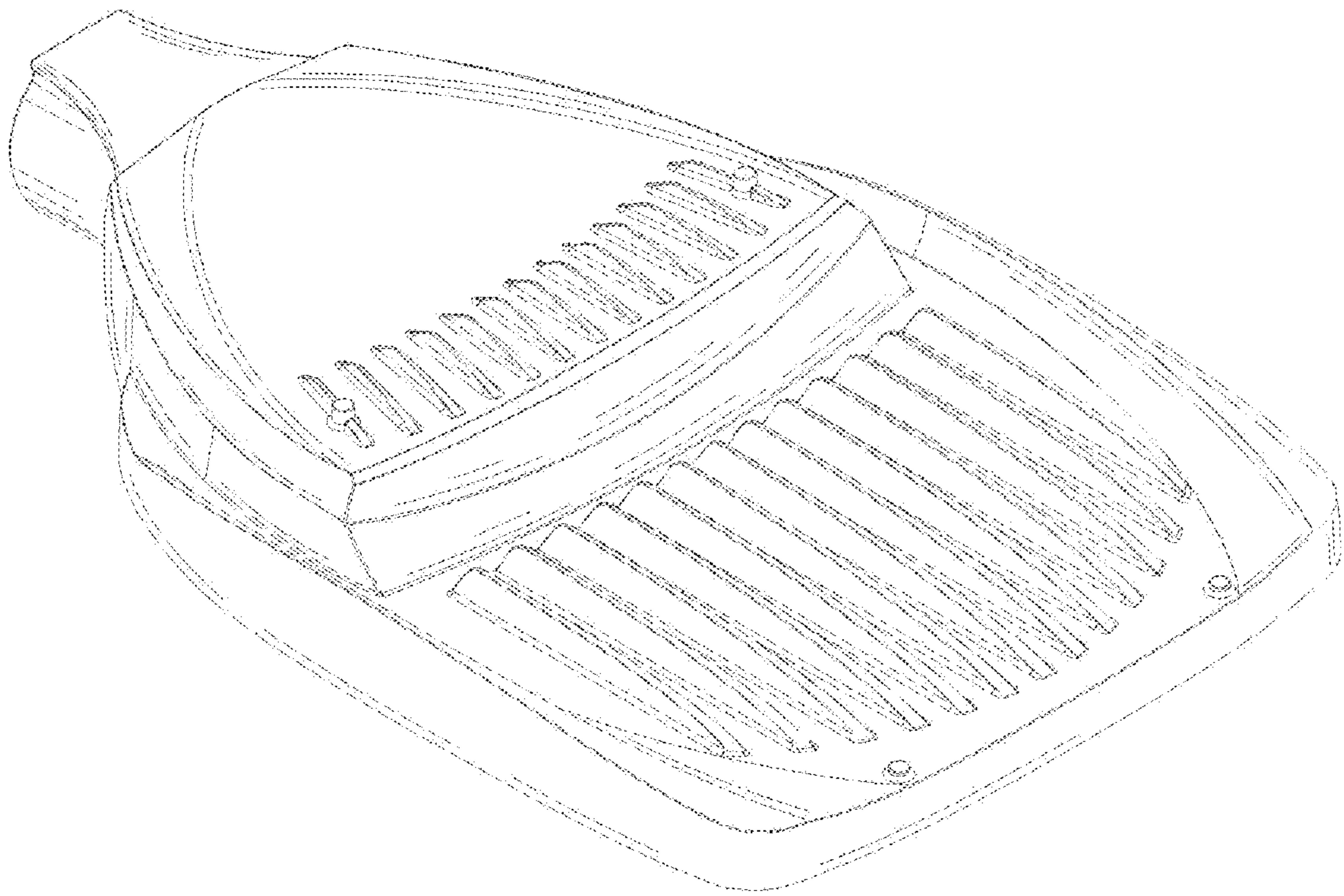


FIG. 1

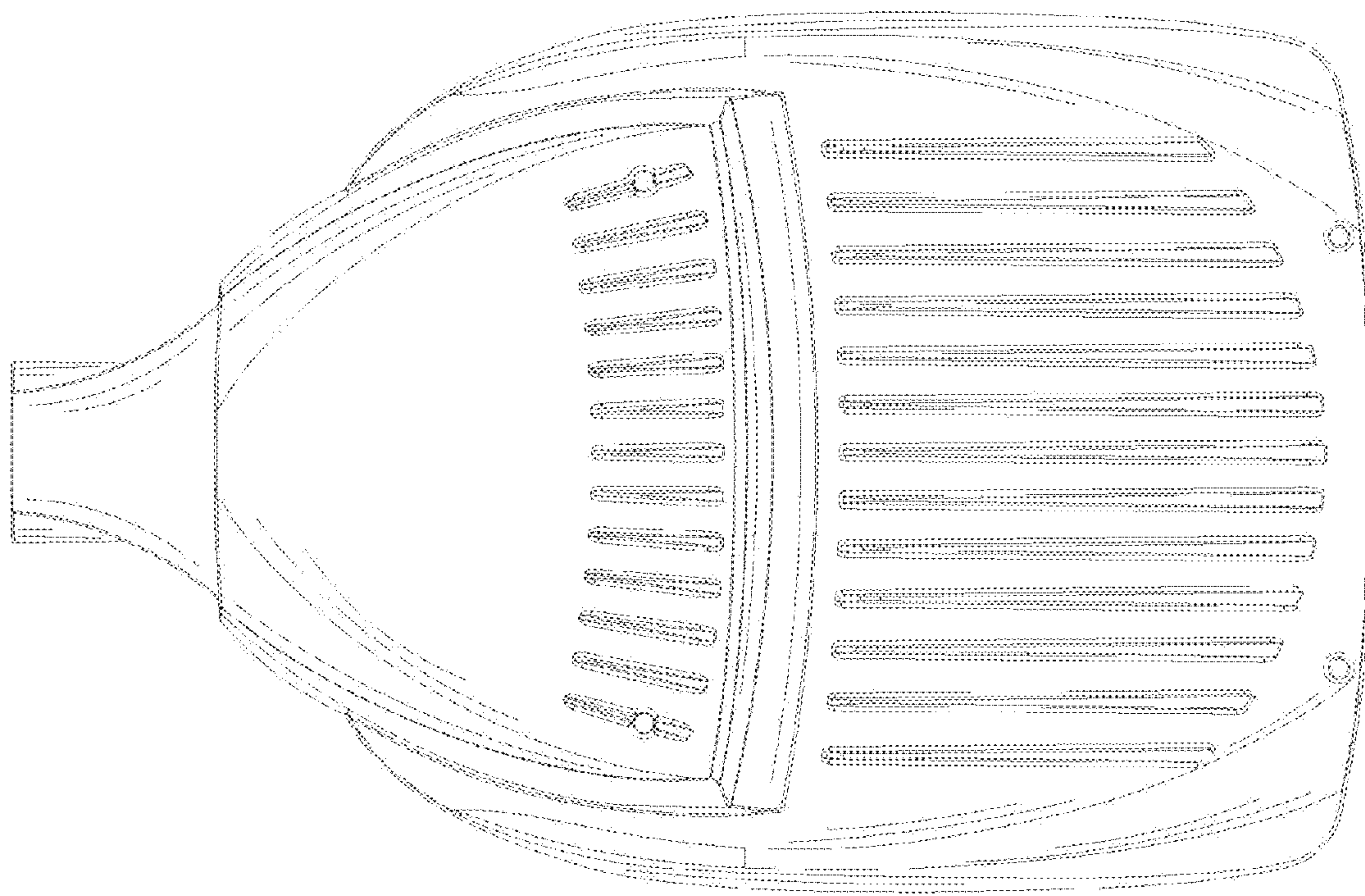


FIG. 2



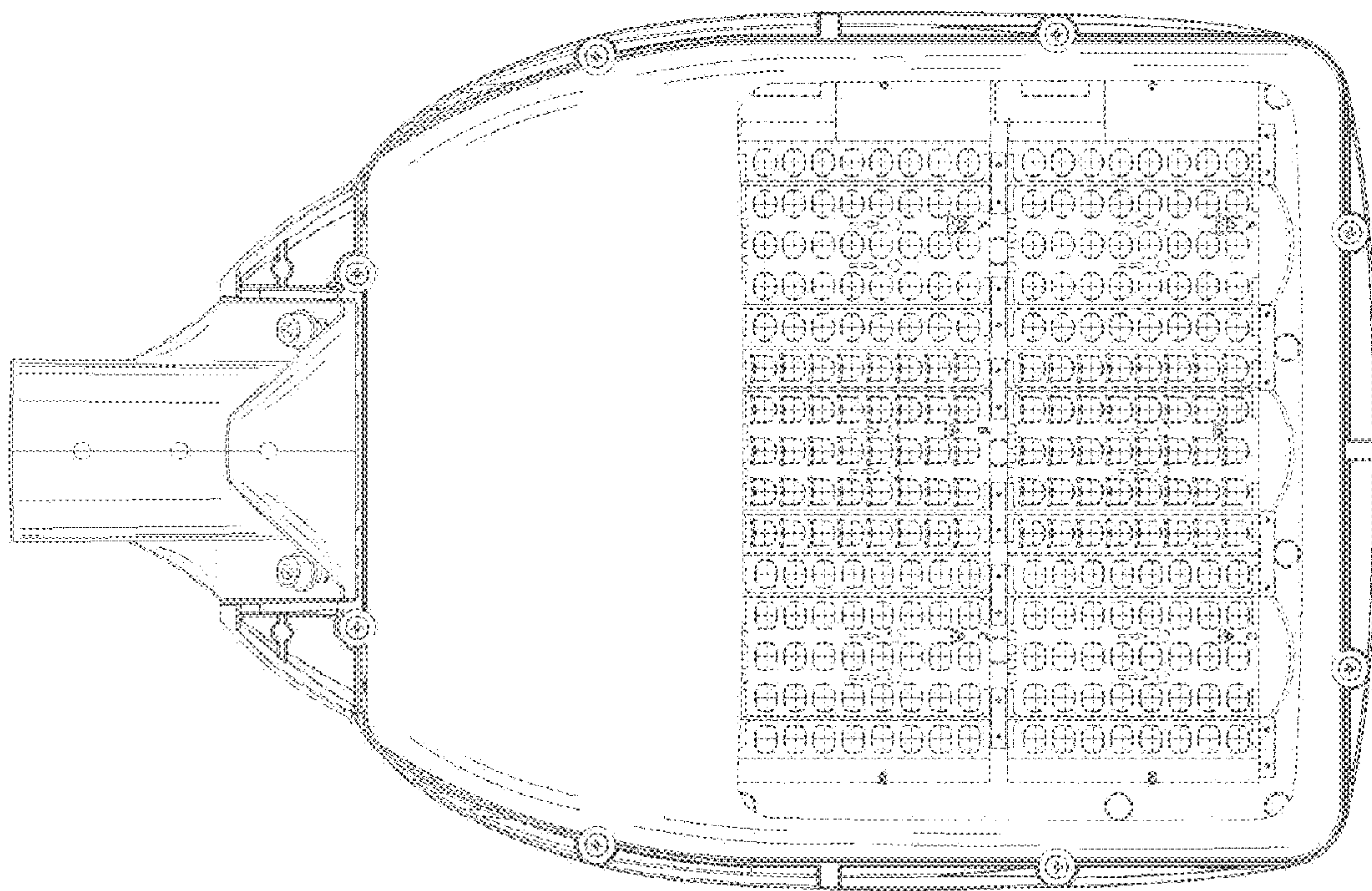


FIG. 3

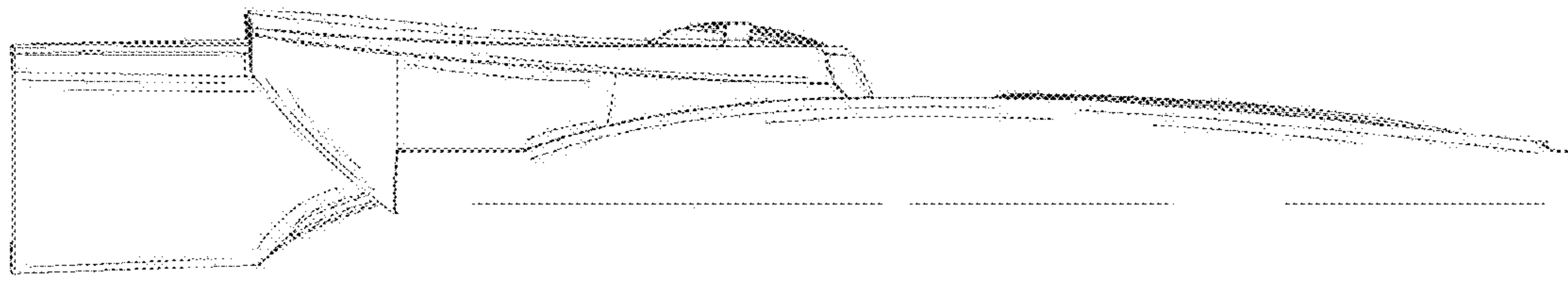


FIG. 4

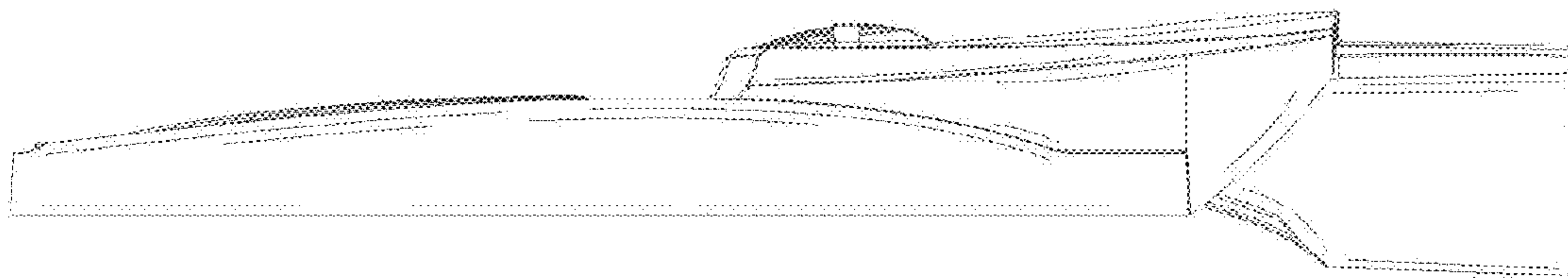


FIG. 5

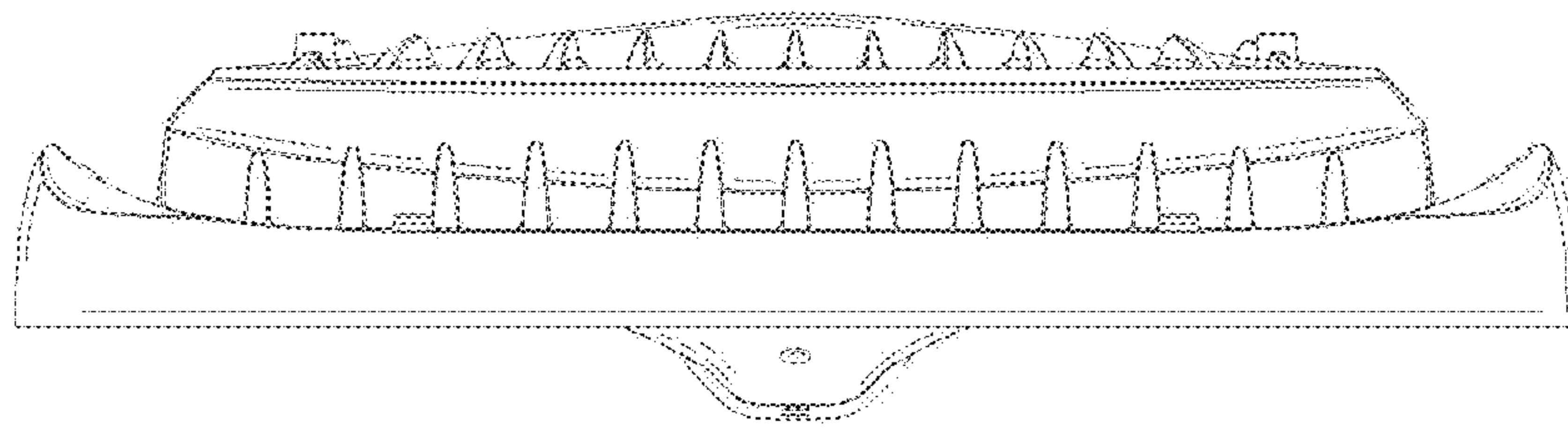


FIG. 6

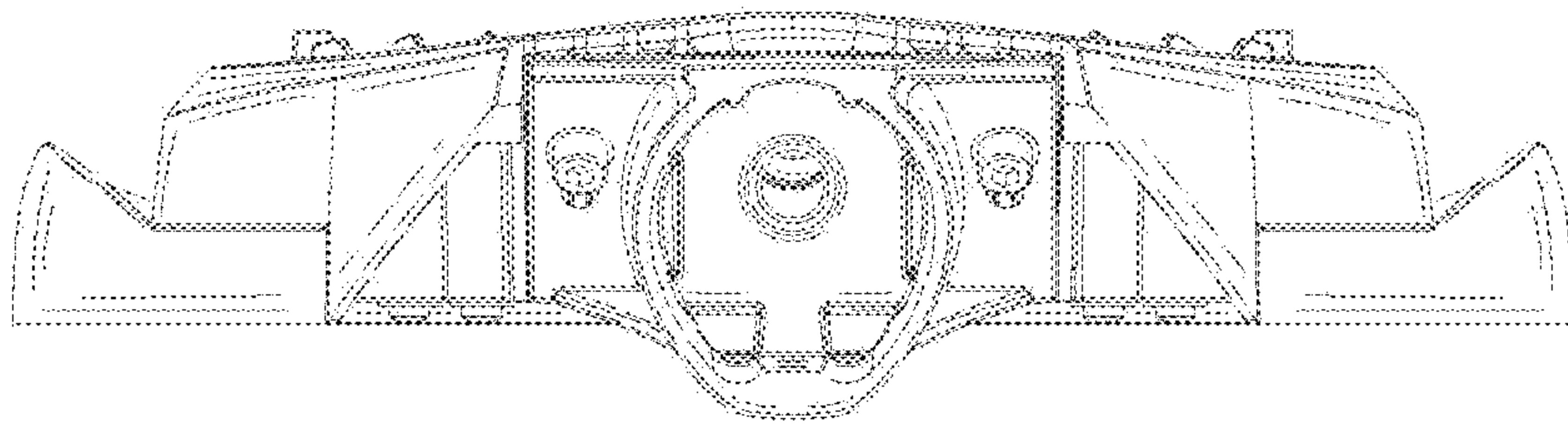


FIG. 7