



US00D771856S

(12) **United States Design Patent**
Novák et al.

(10) **Patent No.:** **US D771,856 S**

(45) **Date of Patent:** **** Nov. 15, 2016**

- (54) **THIN ROADWAY LUMINAIRE**
- (71) Applicant: **GE LIGHTING SOLUTIONS, LLC**,
East Cleveland, OH (US)
- (72) Inventors: **Krisztián Novák**, BudaPest (HU);
Emese Kinga Görgényi, BudaPest
(HU)
- (73) Assignee: **GE LIGHTING SOLUTIONS, LLC**,
East Cleveland, OH (US)

D693,513 S *	11/2013	Nibaldi	D26/71
D694,449 S *	11/2013	Walker	D26/63
D695,437 S *	12/2013	Johnson	D26/71
D709,634 S *	7/2014	Coulbeaut	D26/71
D715,984 S *	10/2014	Durdle	D26/71
D744,145 S *	11/2015	Coulbeaut	D26/71
D753,862 S *	4/2016	Blomqvist	D26/71
2011/0084629 A1 *	4/2011	Pini	F21S 8/086 315/312
2015/0362172 A1 *	12/2015	Gabriel	F21V 33/0052 348/151

* cited by examiner

(**) Term: **15 Years**

Primary Examiner — Clare E Hefflin

(21) Appl. No.: **29/539,481**

(74) *Attorney, Agent, or Firm* — GE Global Patent
Operation; Peter T. DiMauro

(22) Filed: **Sep. 15, 2015**

(57) **CLAIM**

We claim the ornamental design for a thin roadway luminaire, as shown and described.

(51) **LOC (10) Cl.** **26-05**

(52) **U.S. Cl.**
USPC **D26/71**

DESCRIPTION

(58) **Field of Classification Search**
USPC D26/63, 67-72, 92
CPC F21S 8/08; F21S 8/085; F21S 8/086;
F21S 8/088; F21W 2111/02; F21W 2131/103;
F21W 2131/107
See application file for complete search history.

FIG. 1 is a top perspective view of a thin roadway luminaire in accordance with the present design;
FIG. 2 is a top view thereof;
FIG. 3 is a bottom view thereof;
FIG. 4 is a right side view thereof;
FIG. 5 is a left side view thereof;
FIG. 6 is a front view thereof; and,
FIG. 7 is a back view thereof.

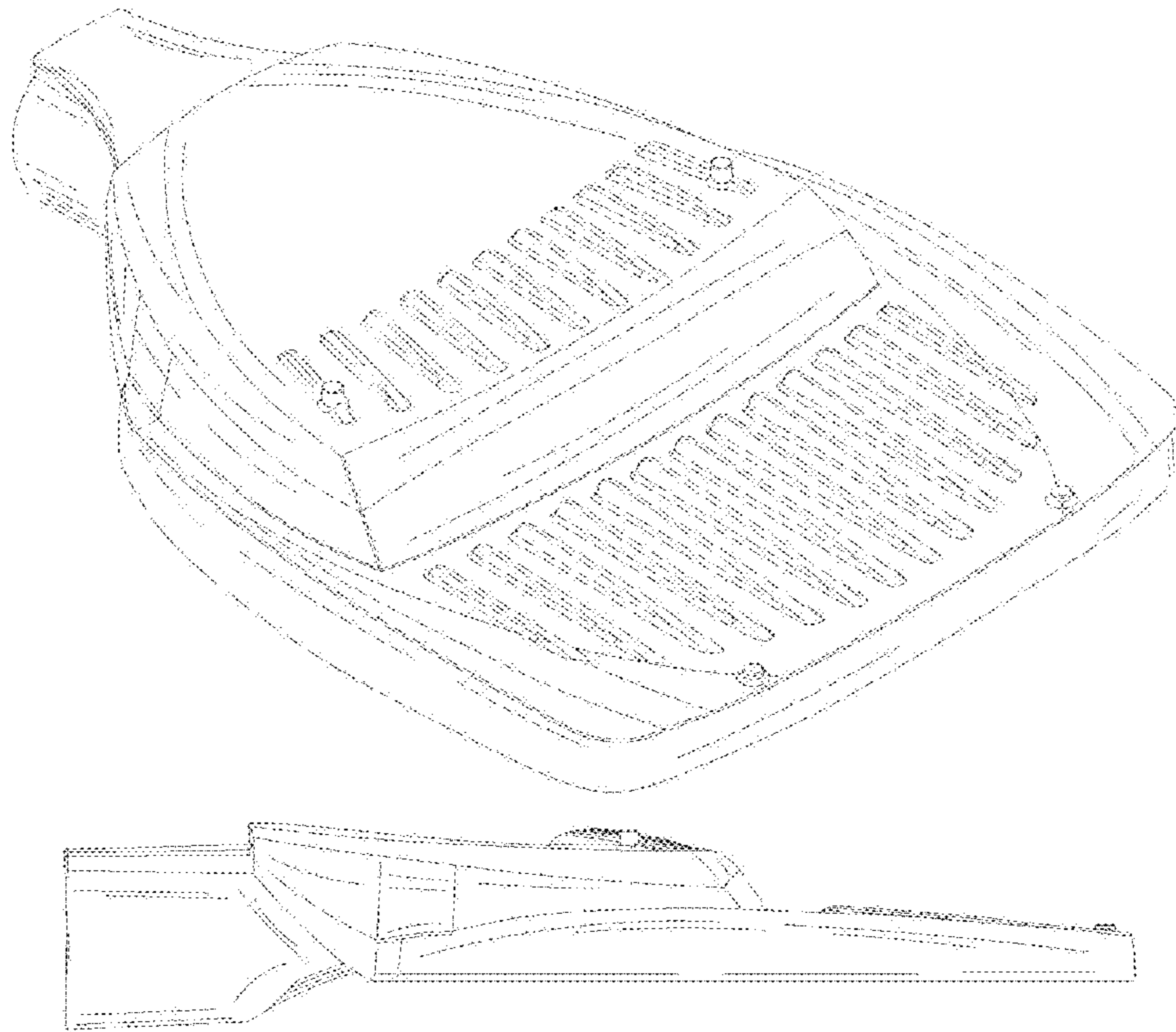
(56) **References Cited**

U.S. PATENT DOCUMENTS

D622,889 S *	8/2010	Zheng	D26/71
D636,920 S *	4/2011	Boissevain	D26/71
D672,492 S *	12/2012	Butler	D26/71

The broken lines shown on the drawings depict portions of the thin roadway luminaire that form no part of the claimed design.

1 Claim, 5 Drawing Sheets



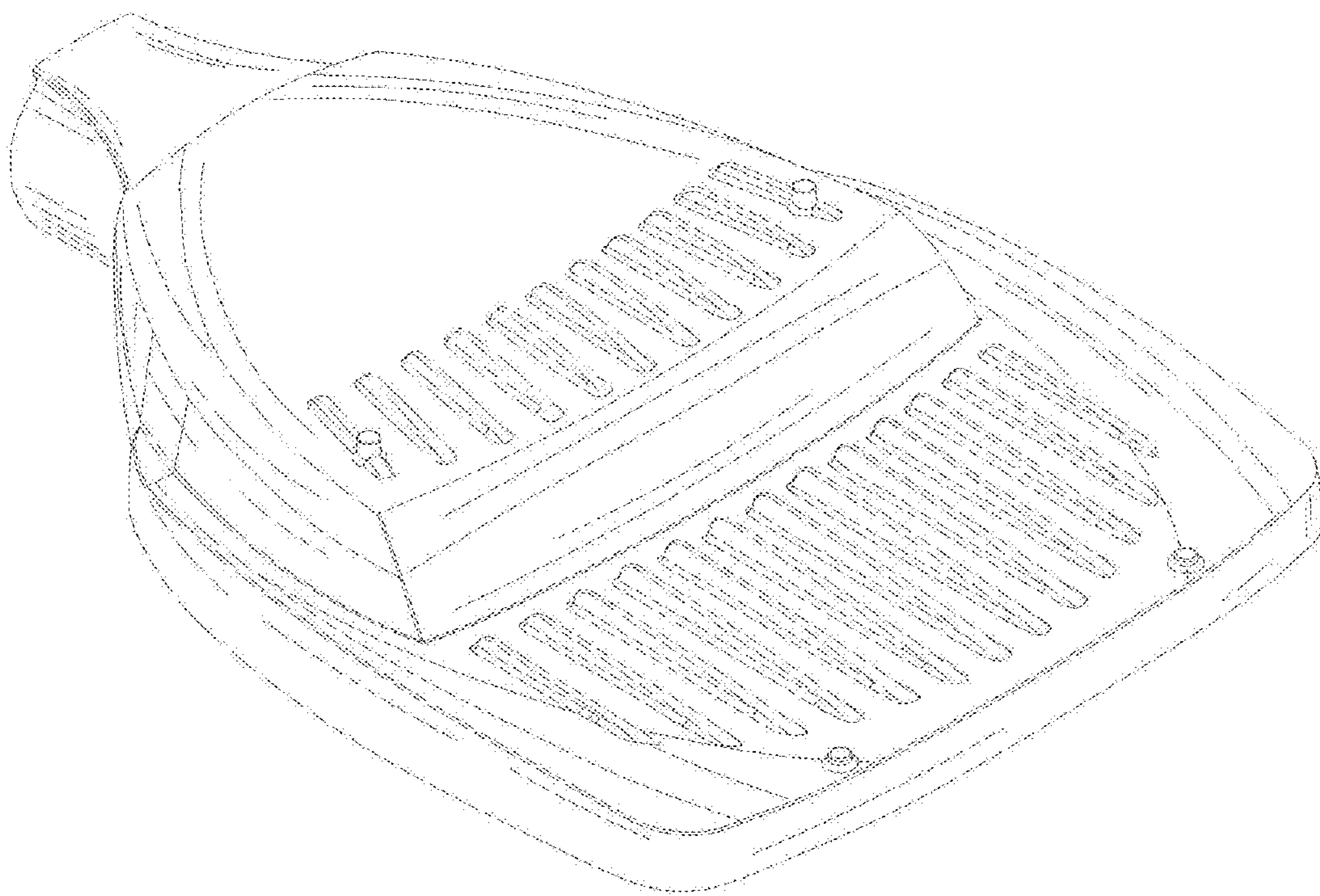


FIG. 1

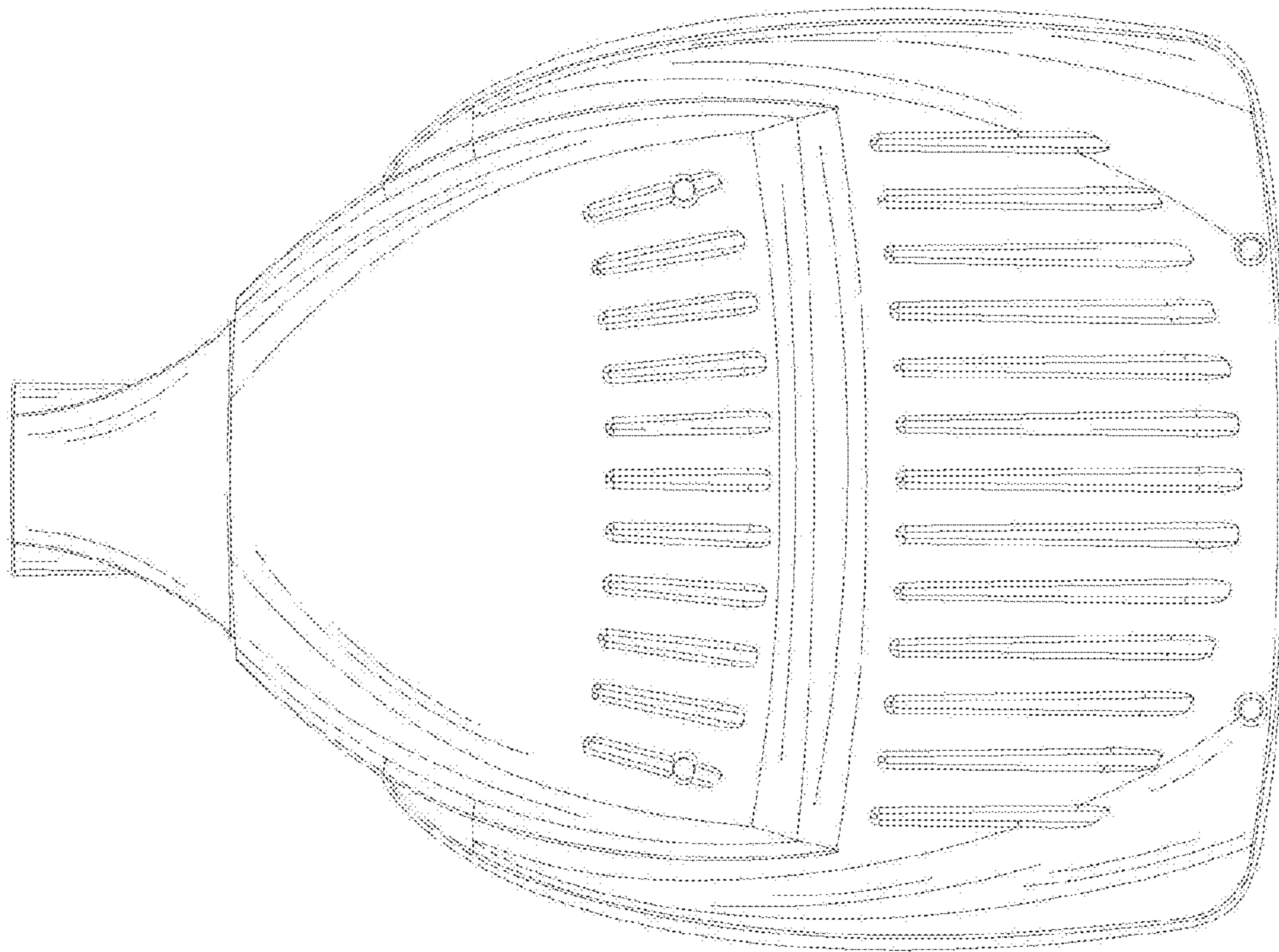


FIG. 2

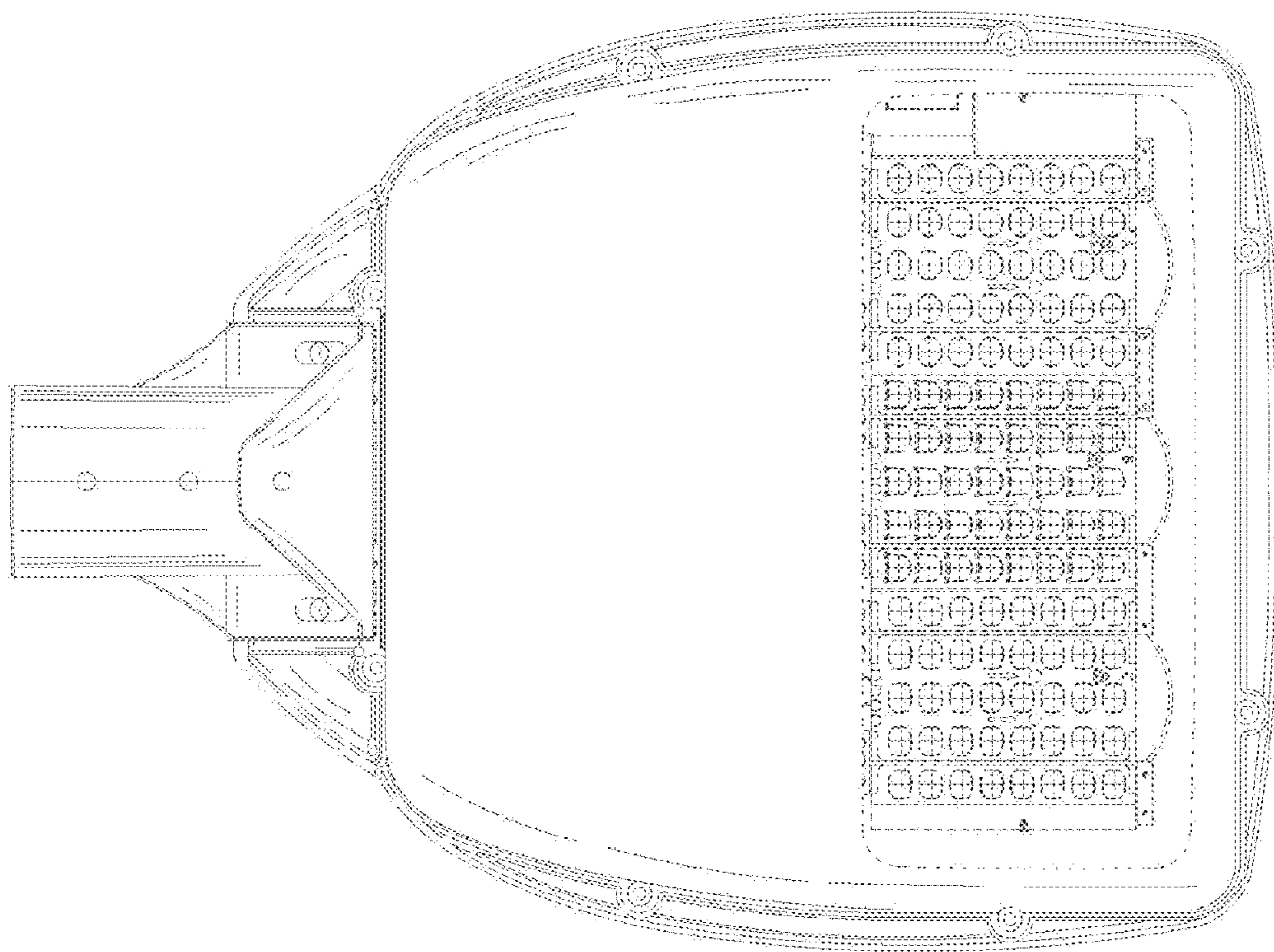


FIG. 3

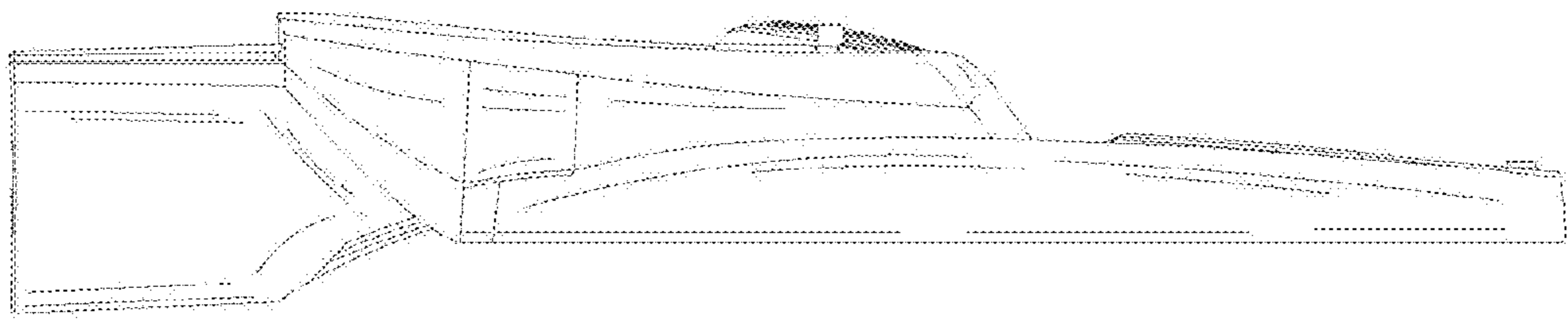


FIG. 4

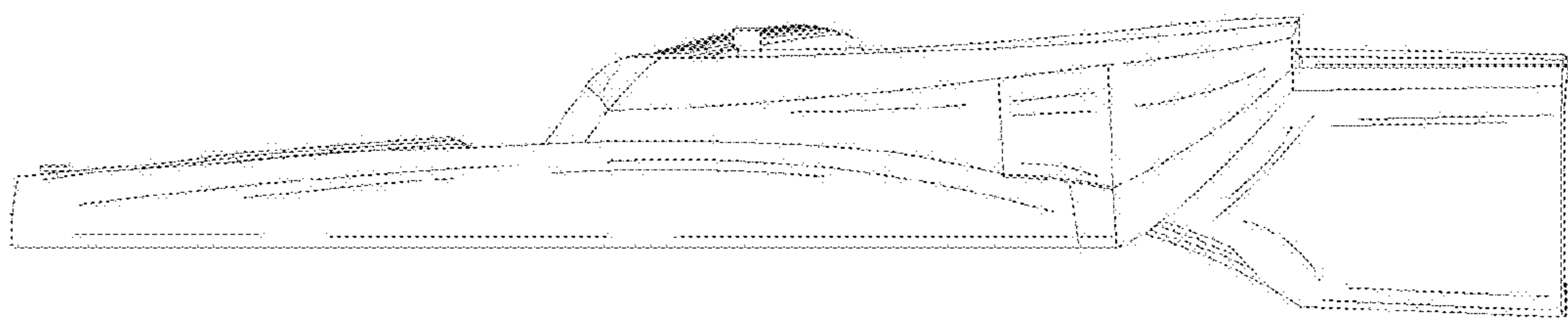


FIG. 5

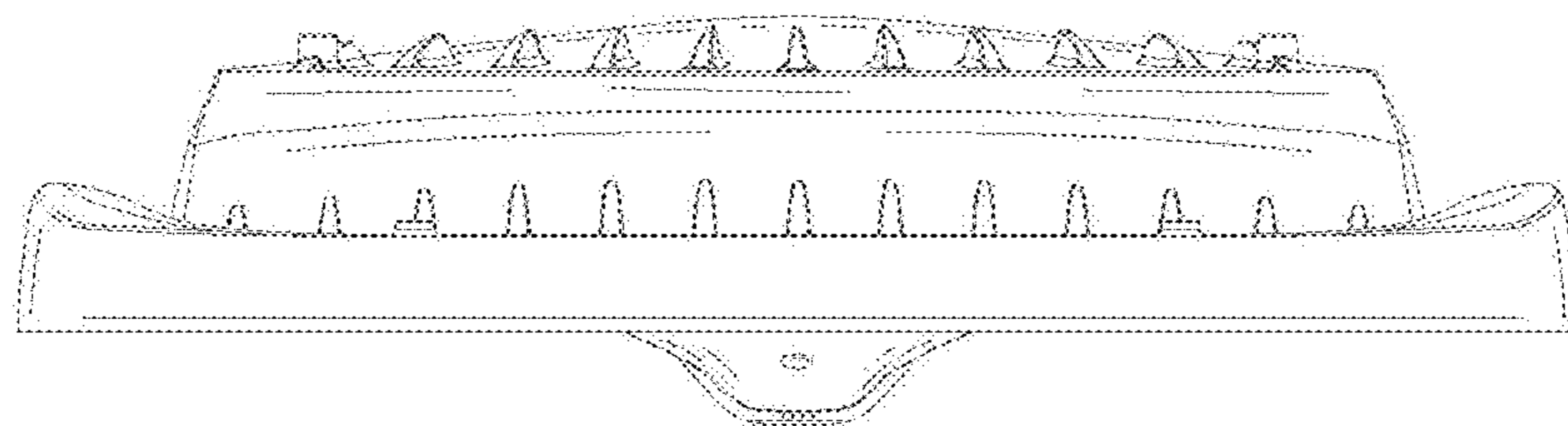


FIG. 6

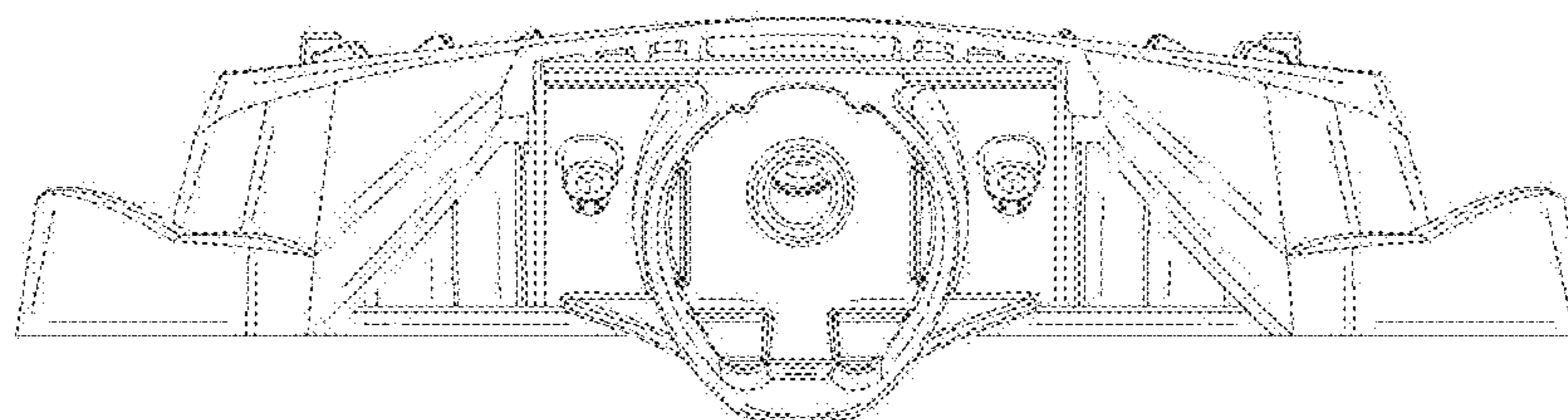


FIG. 7