



US00D771855S

(12) **United States Design Patent**
Dal Ponte et al.

(10) **Patent No.:** **US D771,855 S**
(45) **Date of Patent:** **** Nov. 15, 2016**

(54) **FLOODLIGHT LUMINAIRE**

(71) Applicant: **Hubbell Incorporated**, Shelton, CT (US)

(72) Inventors: **Dean Bret Dal Ponte**, Glendale, CA (US); **Michael Scott Neuer**, Covina, CA (US); **Syed Ahmer Raza**, Rancho Palos Verdes, CA (US); **Thomas Carl Lueken**, Fontana, CA (US); **Ruben Daniel Dominguez**, Covina, CA (US)

(73) Assignee: **Hubbell Incorporated**, Shelton, CT (US)

(**) Term: **15 Years**

(21) Appl. No.: **29/536,584**

(22) Filed: **Aug. 18, 2015**

Related U.S. Application Data

(62) Division of application No. 29/491,750, filed on May 23, 2014, now Pat. No. Des. 736,983.

(51) **LOC (10) Cl.** **26-05**

(52) **U.S. Cl.**
USPC **D26/71**

(58) **Field of Classification Search**
USPC D26/63, 67-72, 92
CPC F21S 8/08; F21S 8/085; F21S 8/086;
F21S 8/088; F21W 2111/02; F21W 2131/103;
F21W 2131/107
See application file for complete search history.

(56) **References Cited**

U.S. PATENT DOCUMENTS

4,729,073 A 3/1988 Klaus
D391,659 S * 3/1998 Gaskins D26/71

(Continued)

Primary Examiner — Clare E Heflin

(74) *Attorney, Agent, or Firm* — Michael Best & Friedrich, LLP

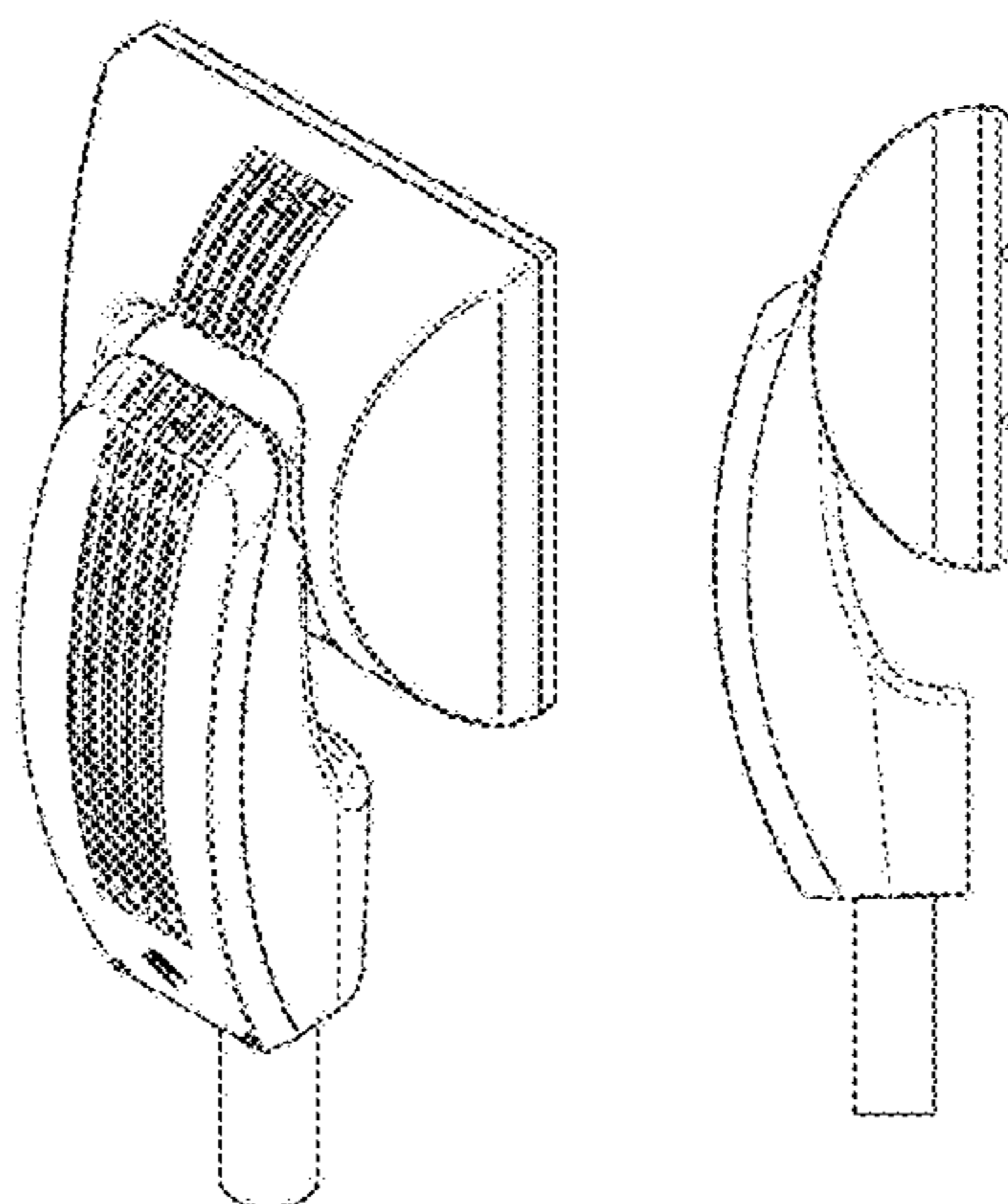
(57) **CLAIM**

The ornamental design for a floodlight luminaire, as shown and described.

DESCRIPTION

FIG. 1 is a front perspective view of a first embodiment of the design;
FIG. 2 is a rear perspective view thereof;
FIG. 3 is another front perspective view thereof;
FIG. 4 is another rear perspective view thereof;
FIG. 5 is a top plan view thereof;
FIG. 6 is a bottom plan view thereof;
FIG. 7 is a front elevational view thereof;
FIG. 8 is a rear elevational view thereof;
FIG. 9 is a left side elevational view thereof;
FIG. 10 is a right side elevational view thereof;
FIG. 11 is a front perspective view of a second embodiment of the design;
FIG. 12 is a rear perspective view thereof;
FIG. 13 is another front perspective view thereof;
FIG. 14 is another rear perspective view thereof;
FIG. 15 is a top plan view thereof;
FIG. 16 is a bottom plan view thereof;
FIG. 17 is a front elevational view thereof;
FIG. 18 is a rear elevational view thereof;
FIG. 19 is a left side elevational view thereof;
FIG. 20 is a right side elevational view thereof;
FIG. 21 is a front perspective view of a third embodiment of the design;
FIG. 22 is a rear perspective view thereof;
FIG. 23 is another front perspective view thereof;
FIG. 24 is another rear perspective view thereof;
FIG. 25 is a top plan view thereof;
FIG. 26 is a bottom plan view thereof;
FIG. 27 is a front elevational view thereof;
FIG. 28 is a rear elevational view thereof;
FIG. 29 is a left side elevational view thereof; and,
FIG. 30 is a right side elevational view thereof.
The broken lines are for illustrative purposes only and form no part of the claimed design.

1 Claim, 6 Drawing Sheets



(56)

References Cited

U.S. PATENT DOCUMENTS

D500,569 S	1/2005	Butler	D674,950 S	1/2013	Lueken et al.
D556,945 S	12/2007	Compton	8,342,709 B2	1/2013	Lueken et al.
D563,587 S	3/2008	Quiogue et al.	D680,258 S	4/2013	Ahrari et al.
D566,318 S	4/2008	Quiogue et al.	D680,259 S	4/2013	Ahrari et al.
D568,521 S	5/2008	Compton	D713,987 S	9/2014	Toms
D568,532 S	5/2008	Compton	D736,983 S *	8/2015	Dal Ponte D26/71
D570,025 S	5/2008	Walker	2003/0007353 A1	1/2003	Patrick, III
D570,516 S	6/2008	Orellana	2003/0227772 A1	12/2003	Yoshida et al.
D574,102 S	7/2008	Quiogue et al.	2005/0117333 A1	6/2005	Yoshida et al.
D607,593 S	1/2010	Yoo	2008/0094838 A1	4/2008	Russello et al.
D609,384 S	2/2010	Gray et al.	2009/0244881 A1	10/2009	Butler
7,841,755 B1	11/2010	Walker	2010/0208460 A1	8/2010	Ladewig et al.
D634,878 S	3/2011	Guercio et al.	2010/0238671 A1	9/2010	Catone et al.
D636,107 S	4/2011	Compton	2011/0013397 A1	1/2011	Catone et al.
D652,557 S	1/2012	Boissevain et al.	2011/0084629 A1	4/2011	Pini
D670,021 S	10/2012	Ahrari et al.	2011/0305019 A1	12/2011	Lee
D673,720 S	1/2013	Bailey et al.	2013/0250584 A1	9/2013	Wang et al.
			2016/0061428 A1 *	3/2016	Nimma F21V 31/005 362/236

* cited by examiner

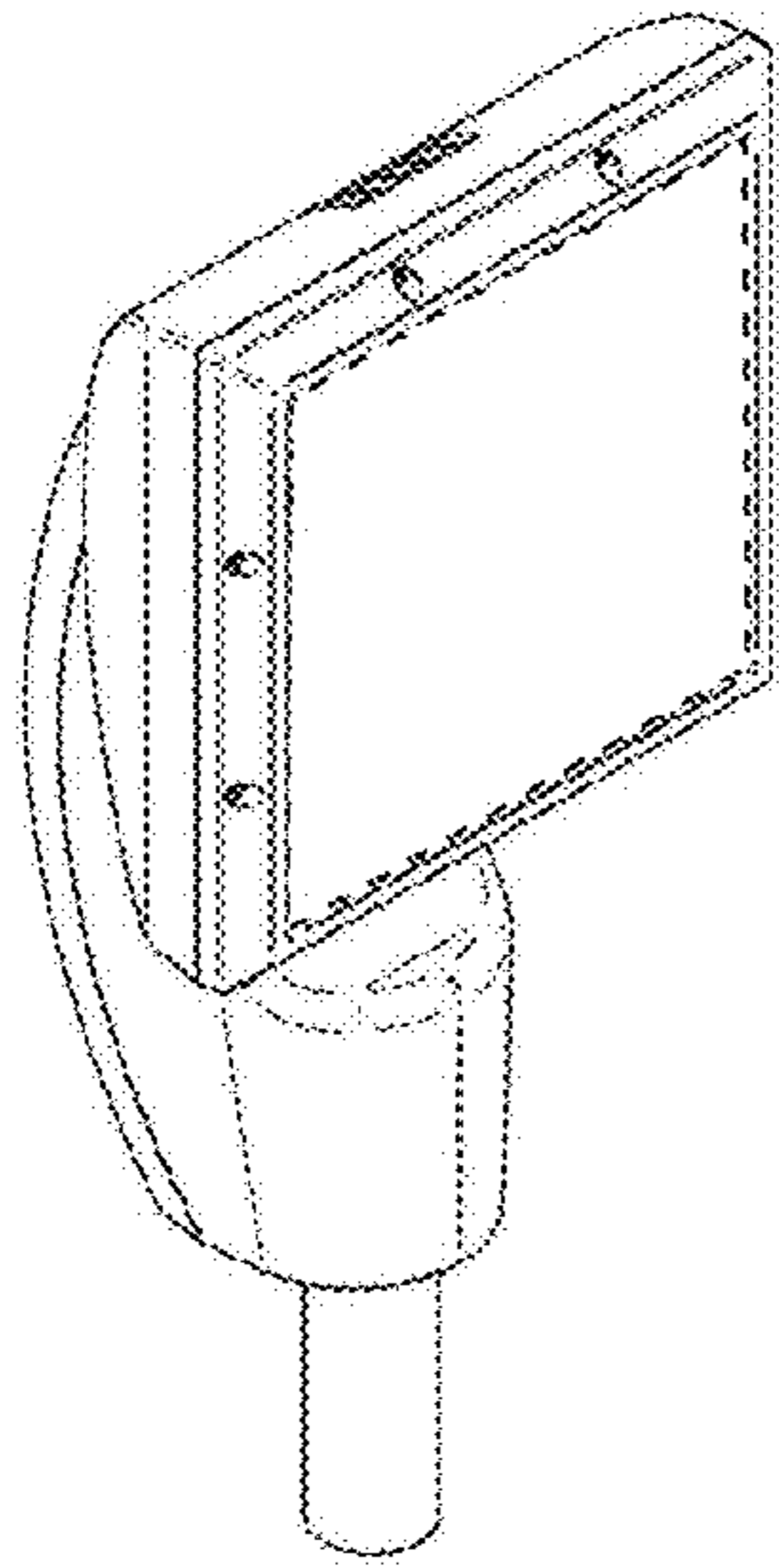


FIG. 1

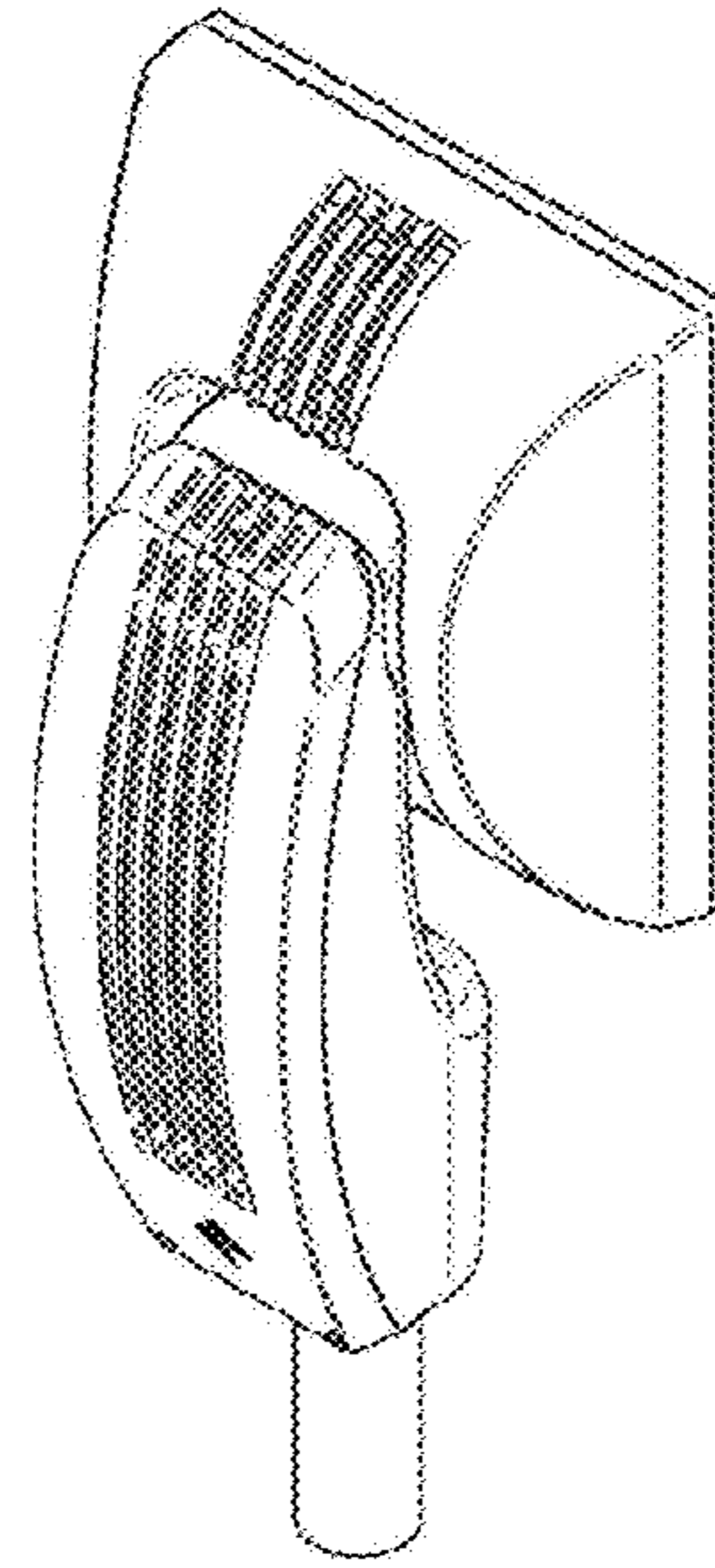


FIG. 2

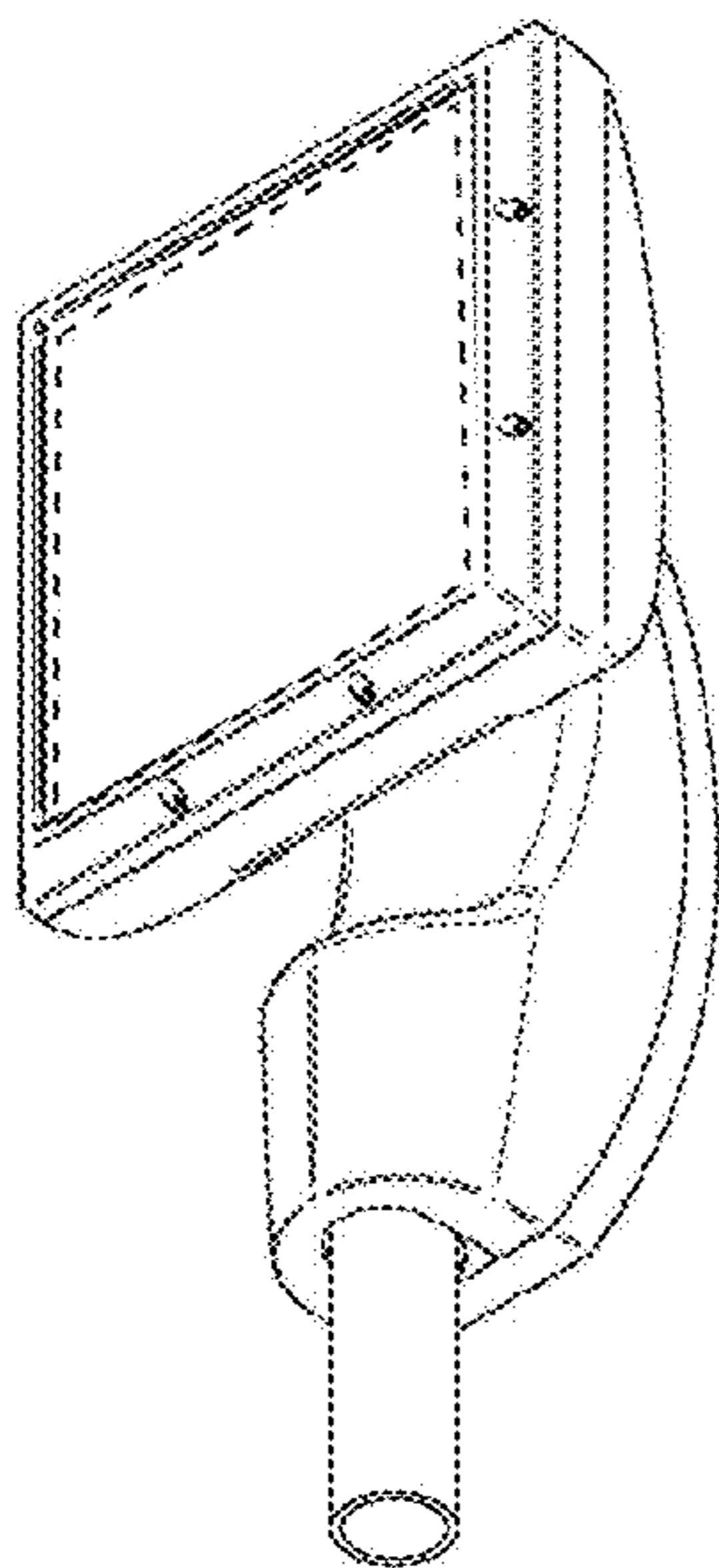


FIG. 3

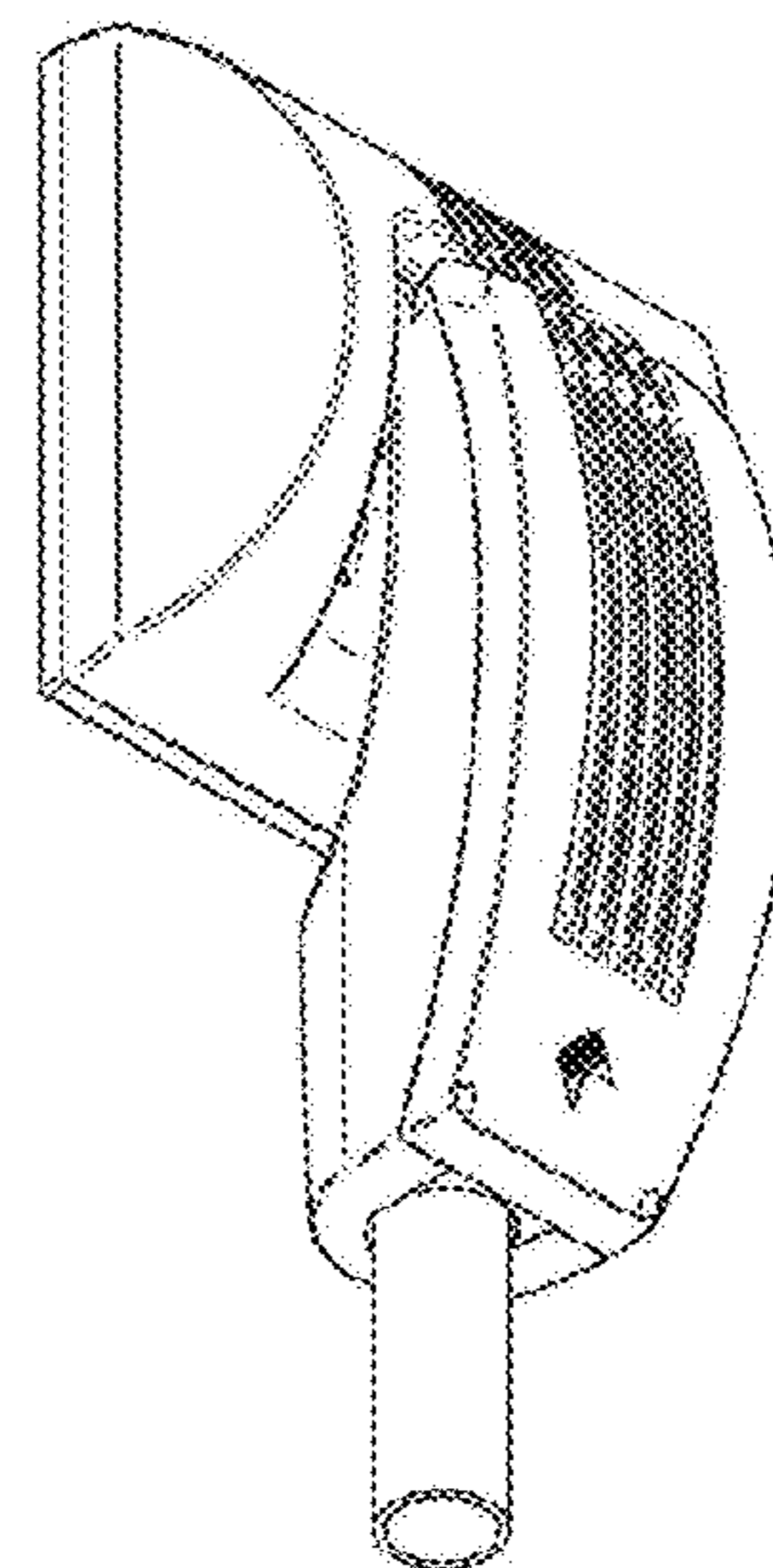


FIG. 4

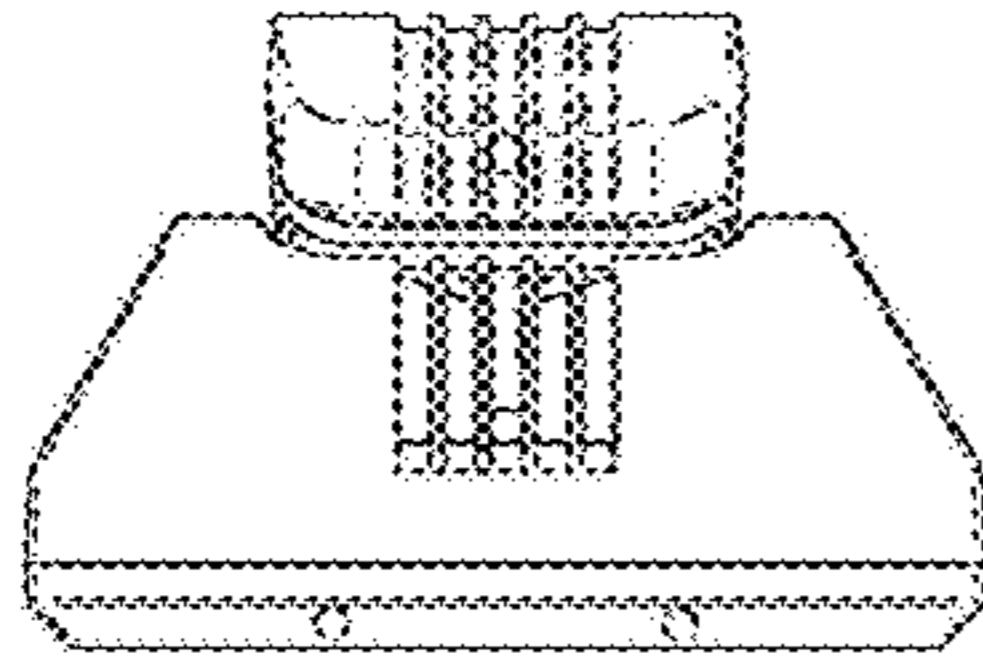


FIG. 5

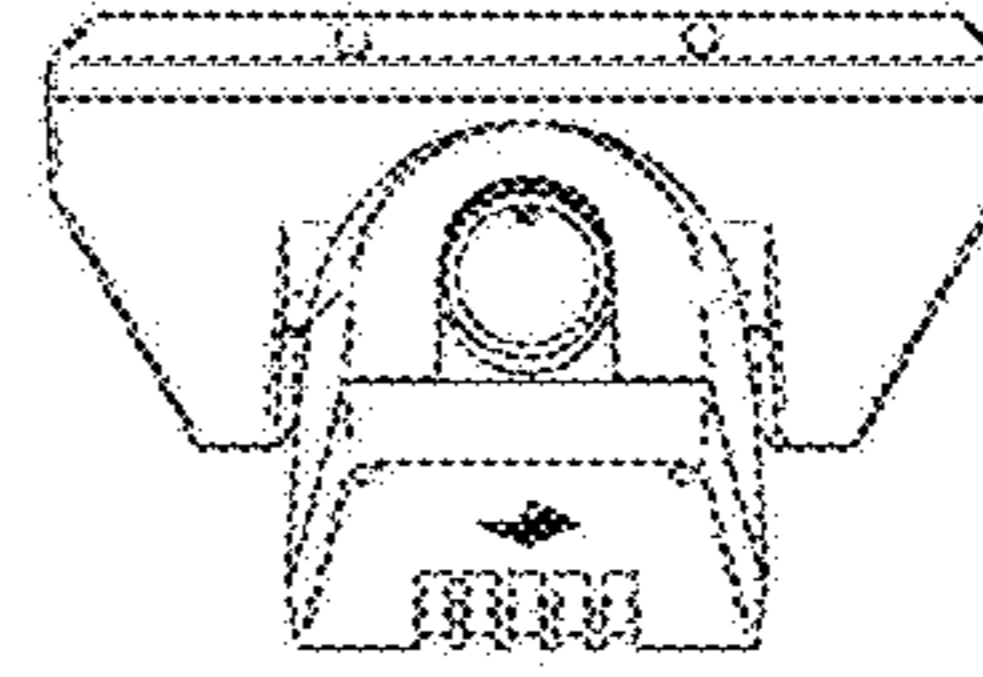


FIG. 6

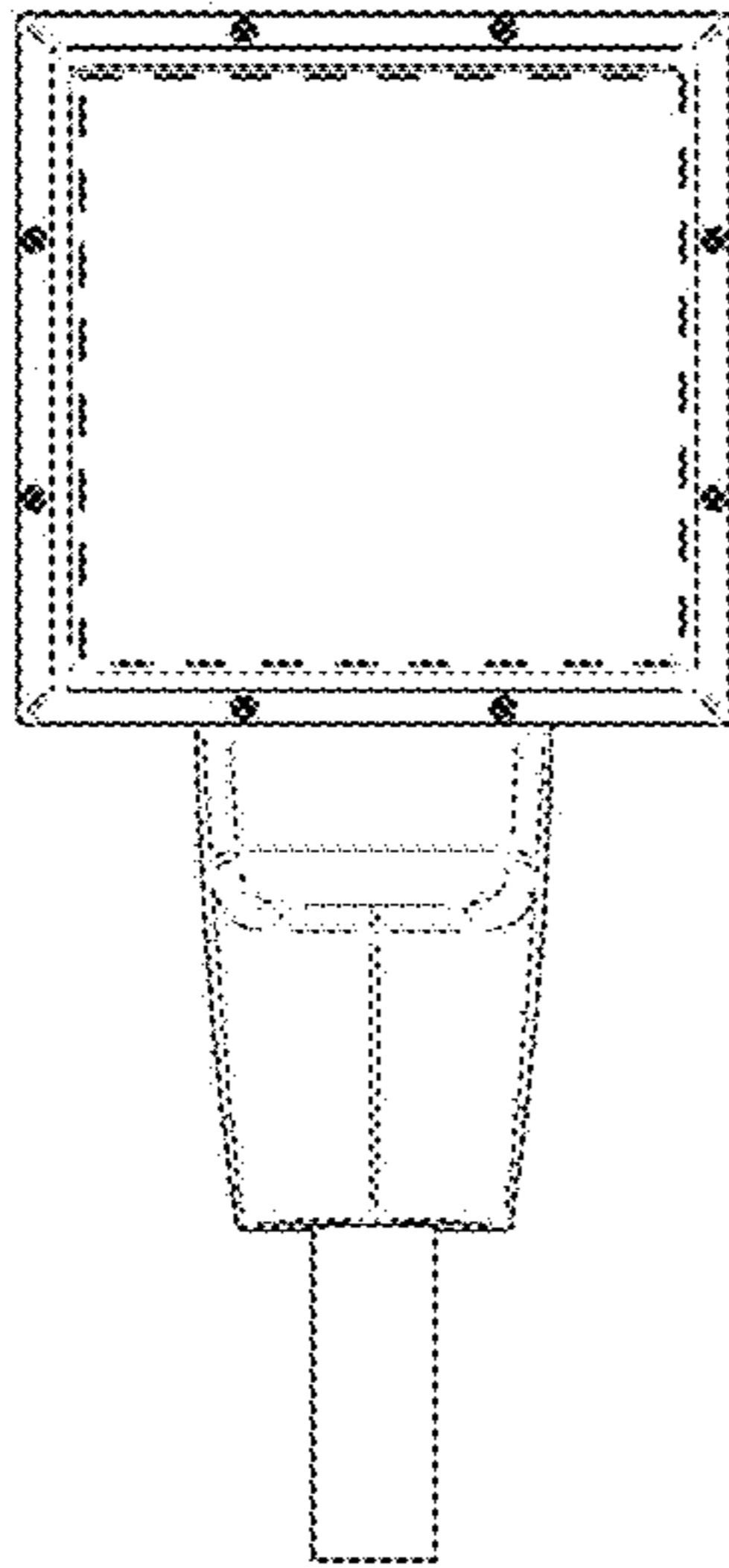


FIG. 7

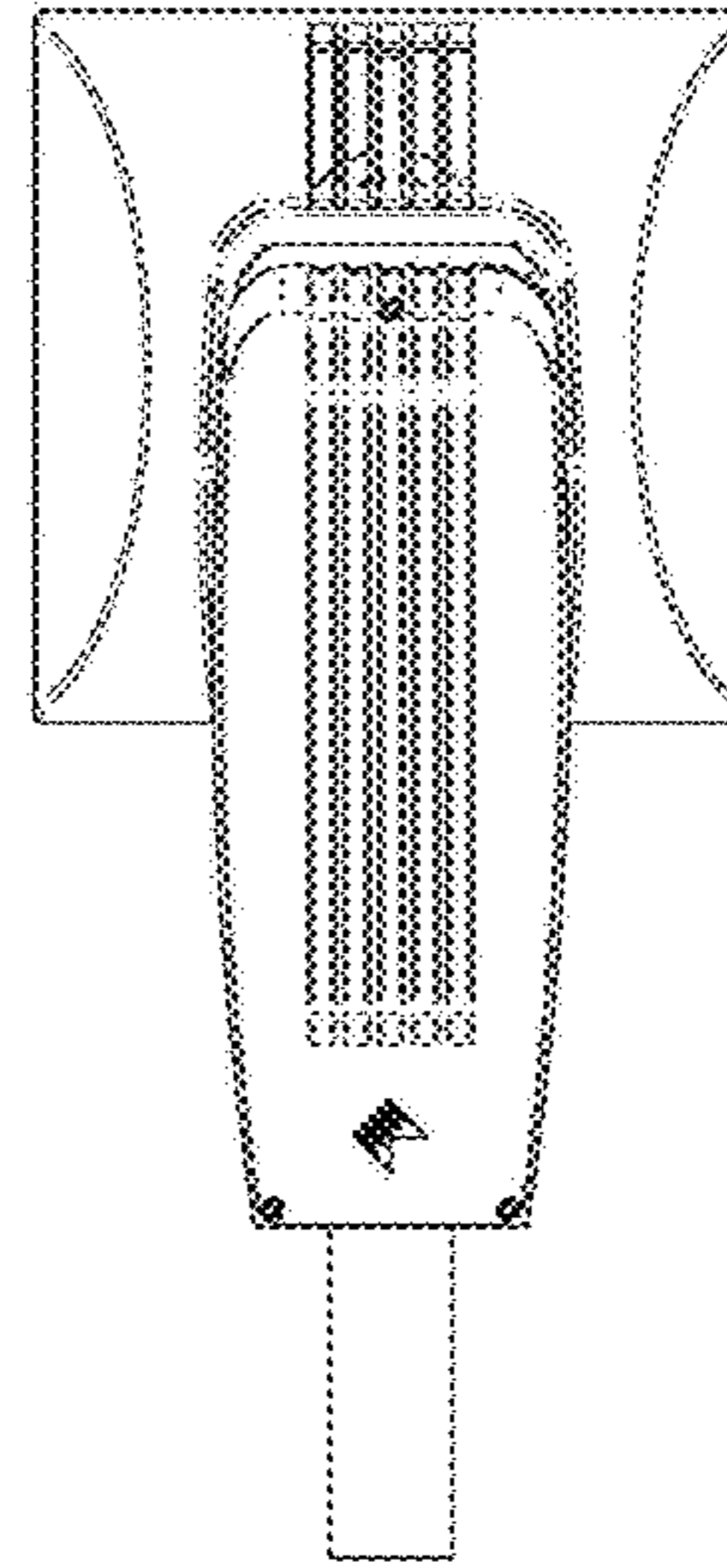


FIG. 8

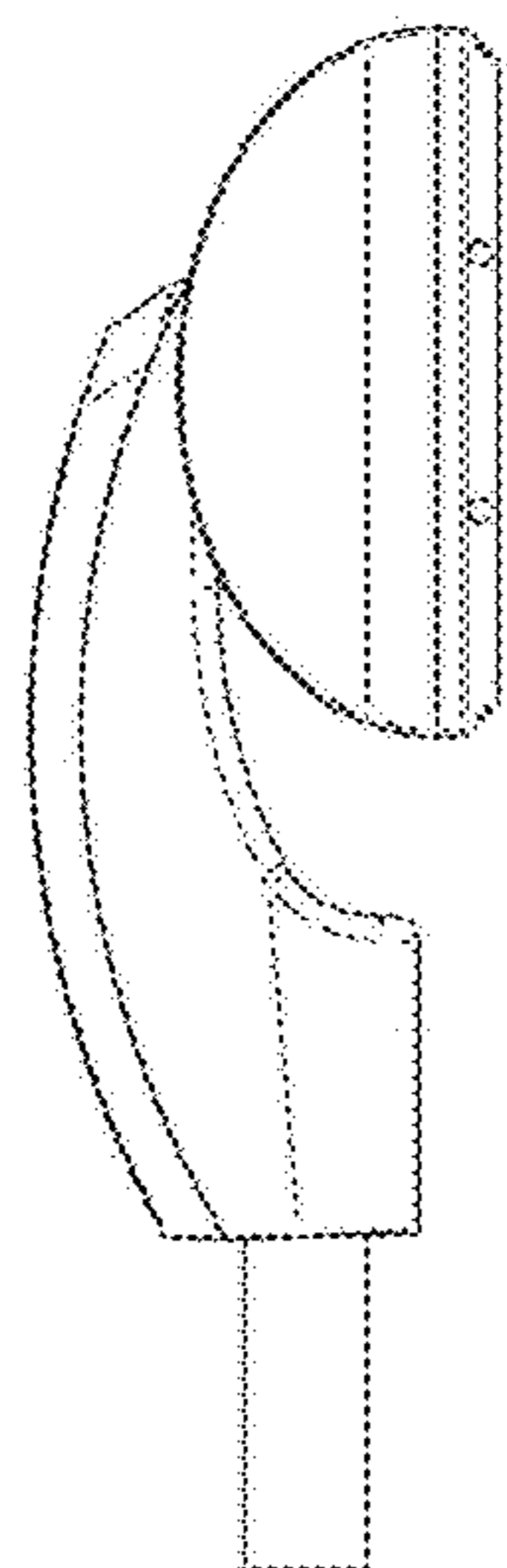


FIG. 9

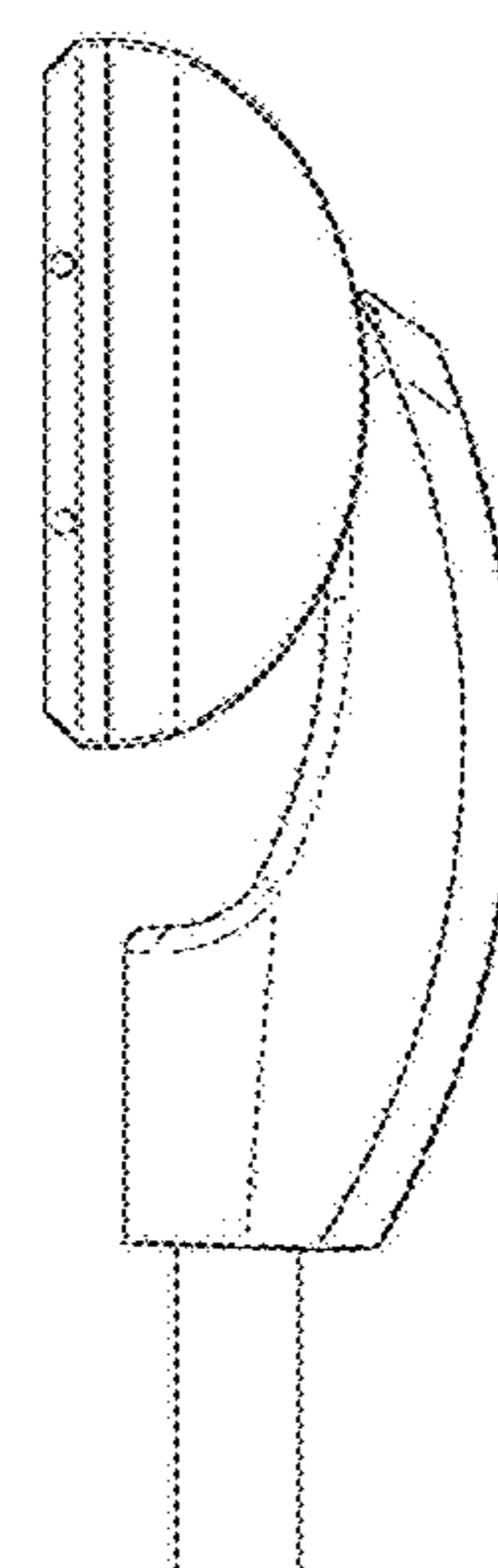


FIG. 10

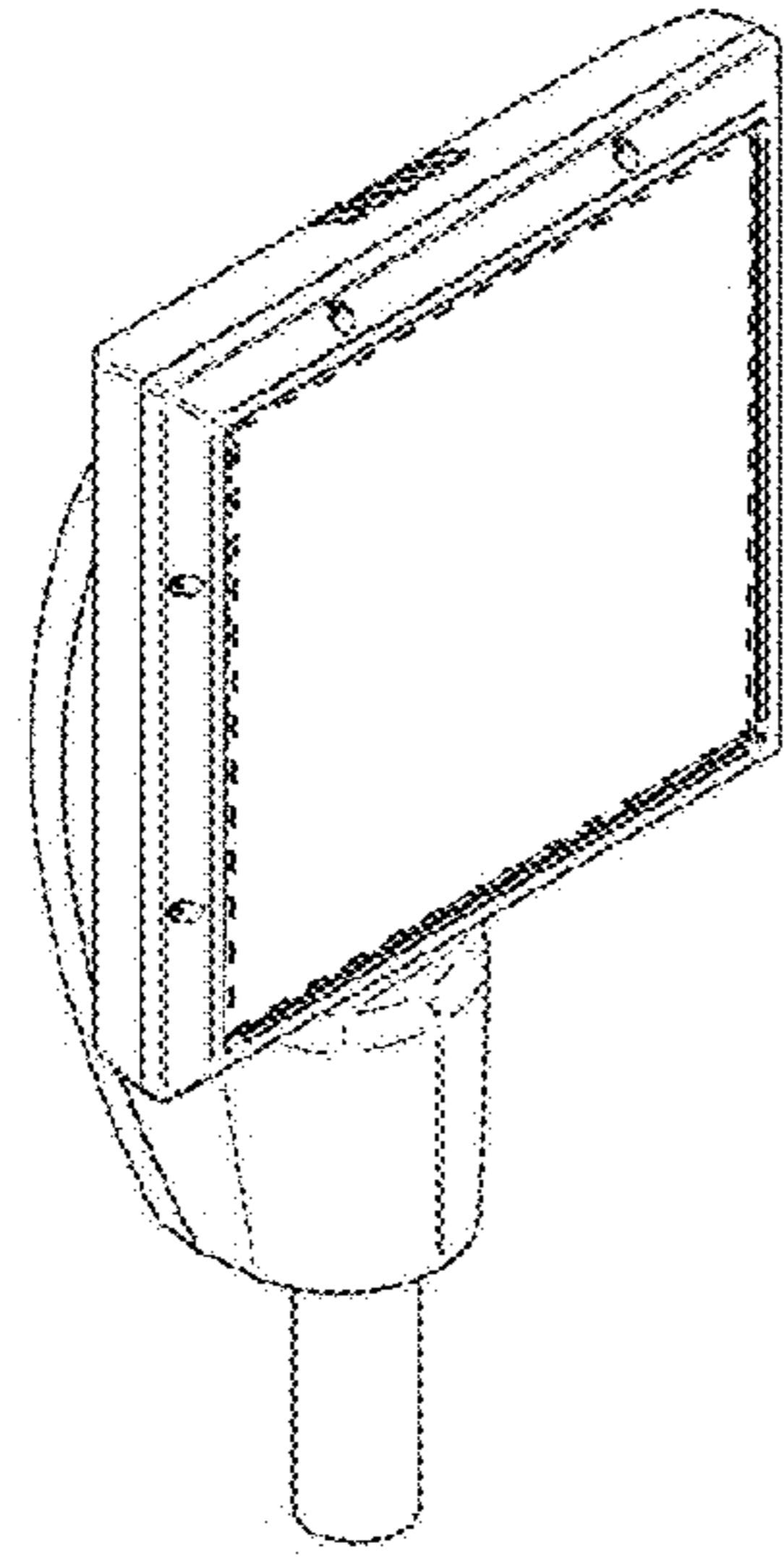


FIG. 11

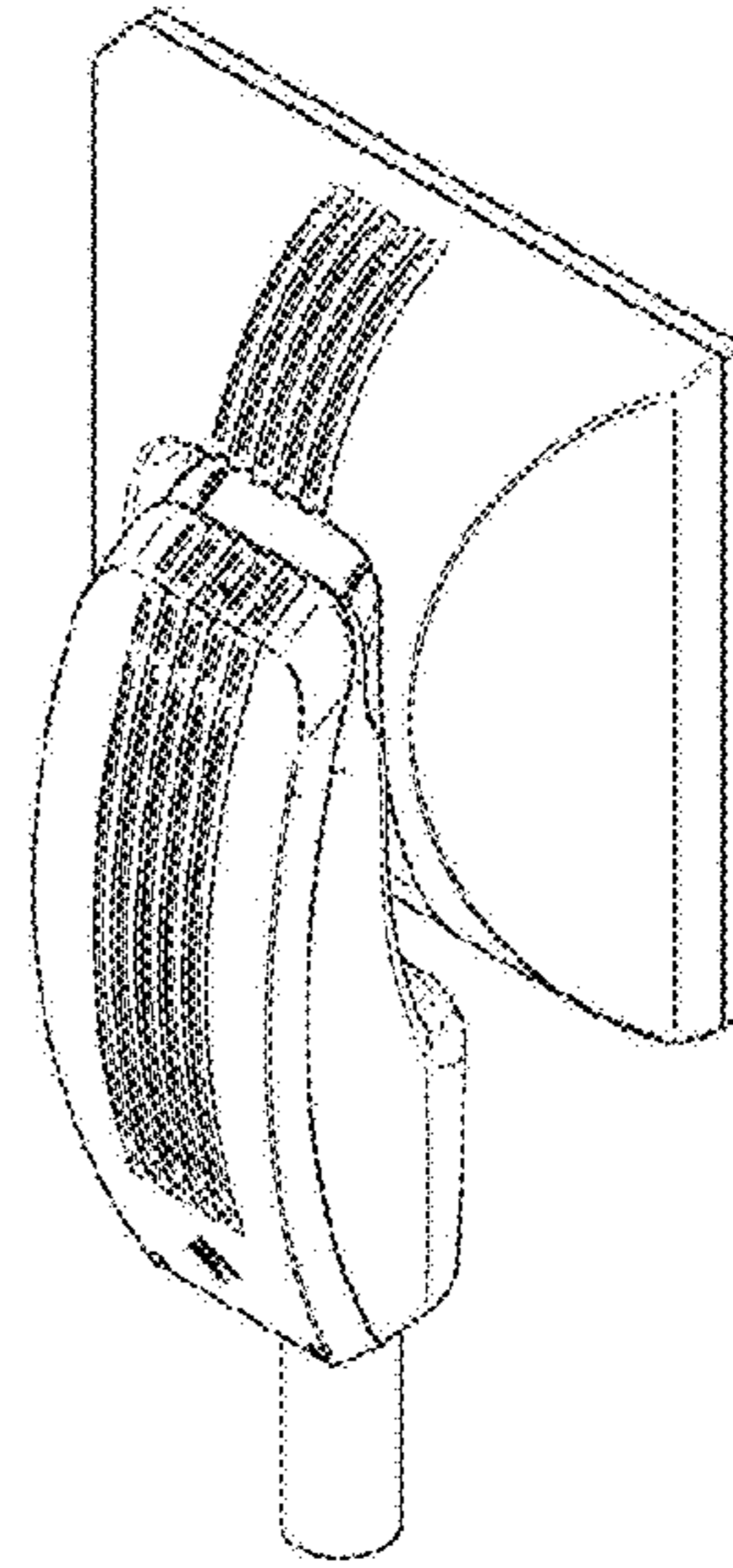


FIG. 12

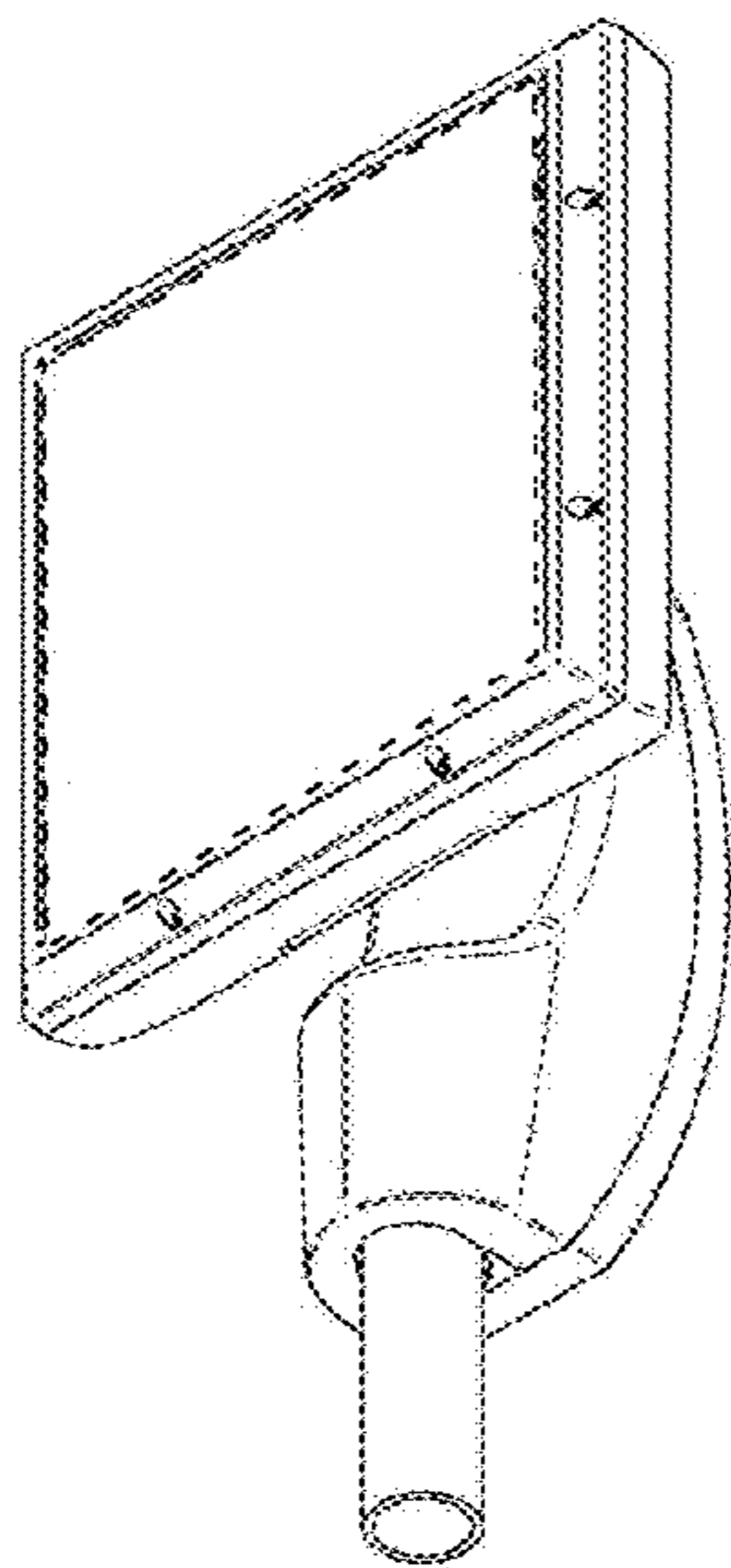


FIG. 13

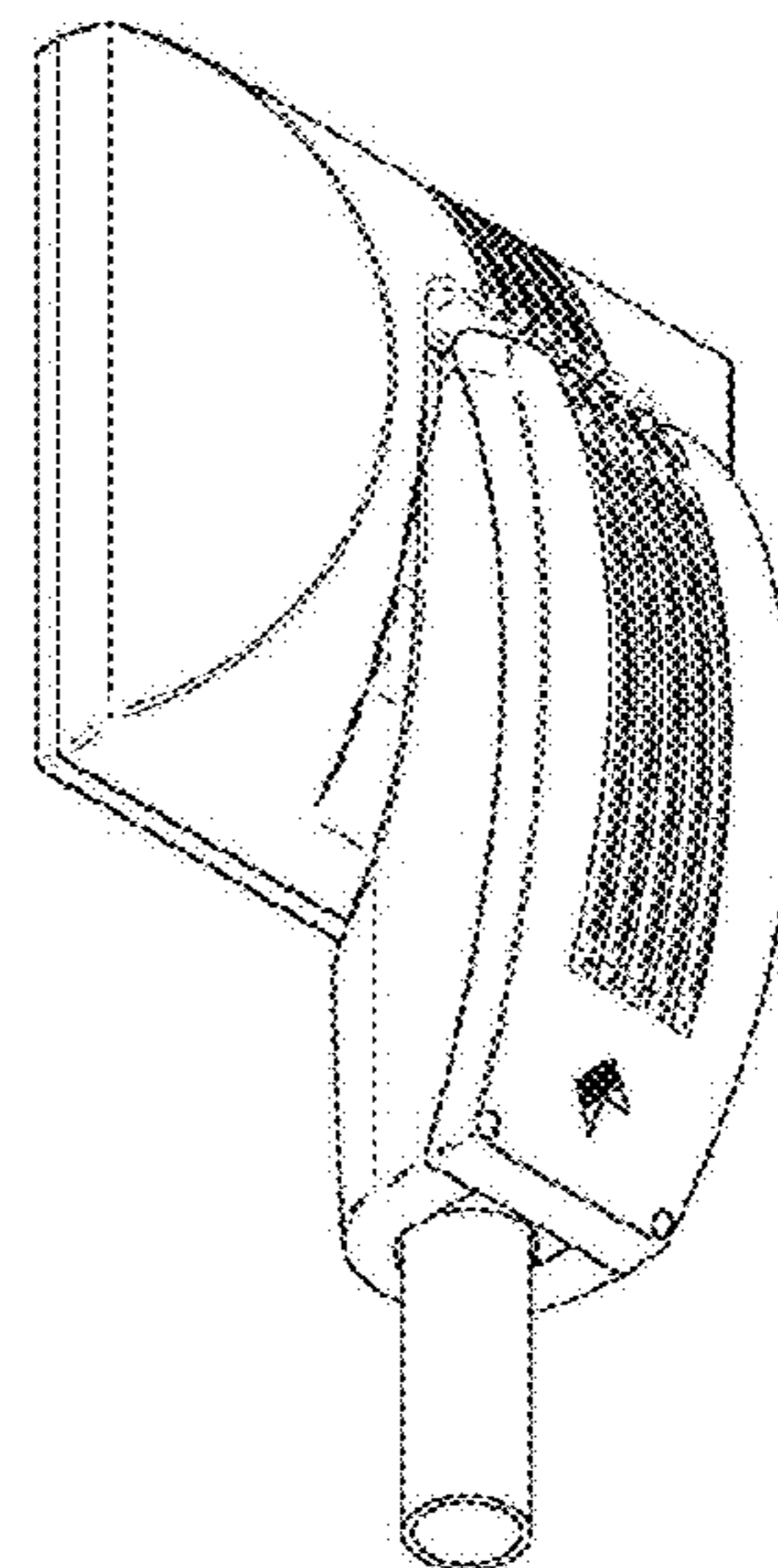


FIG. 14

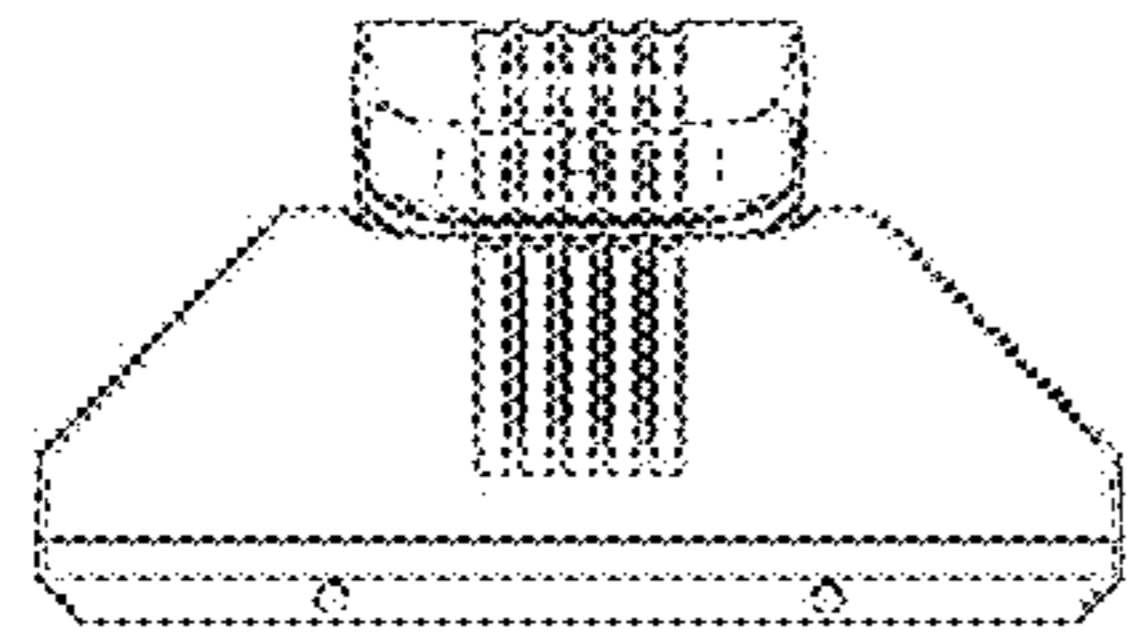


FIG. 15

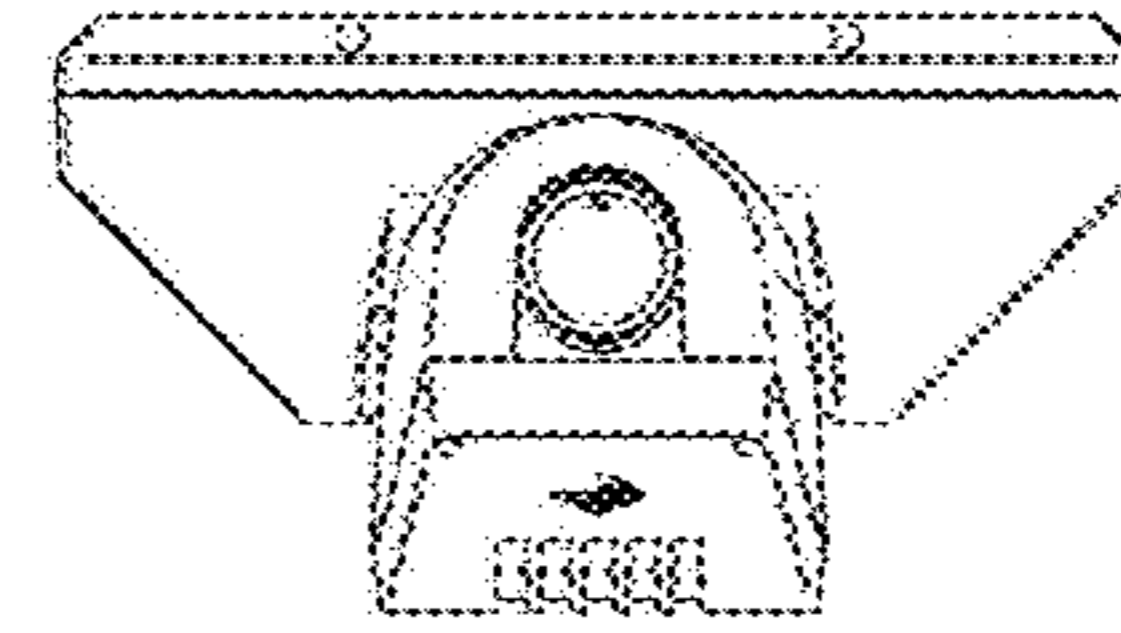


FIG. 16

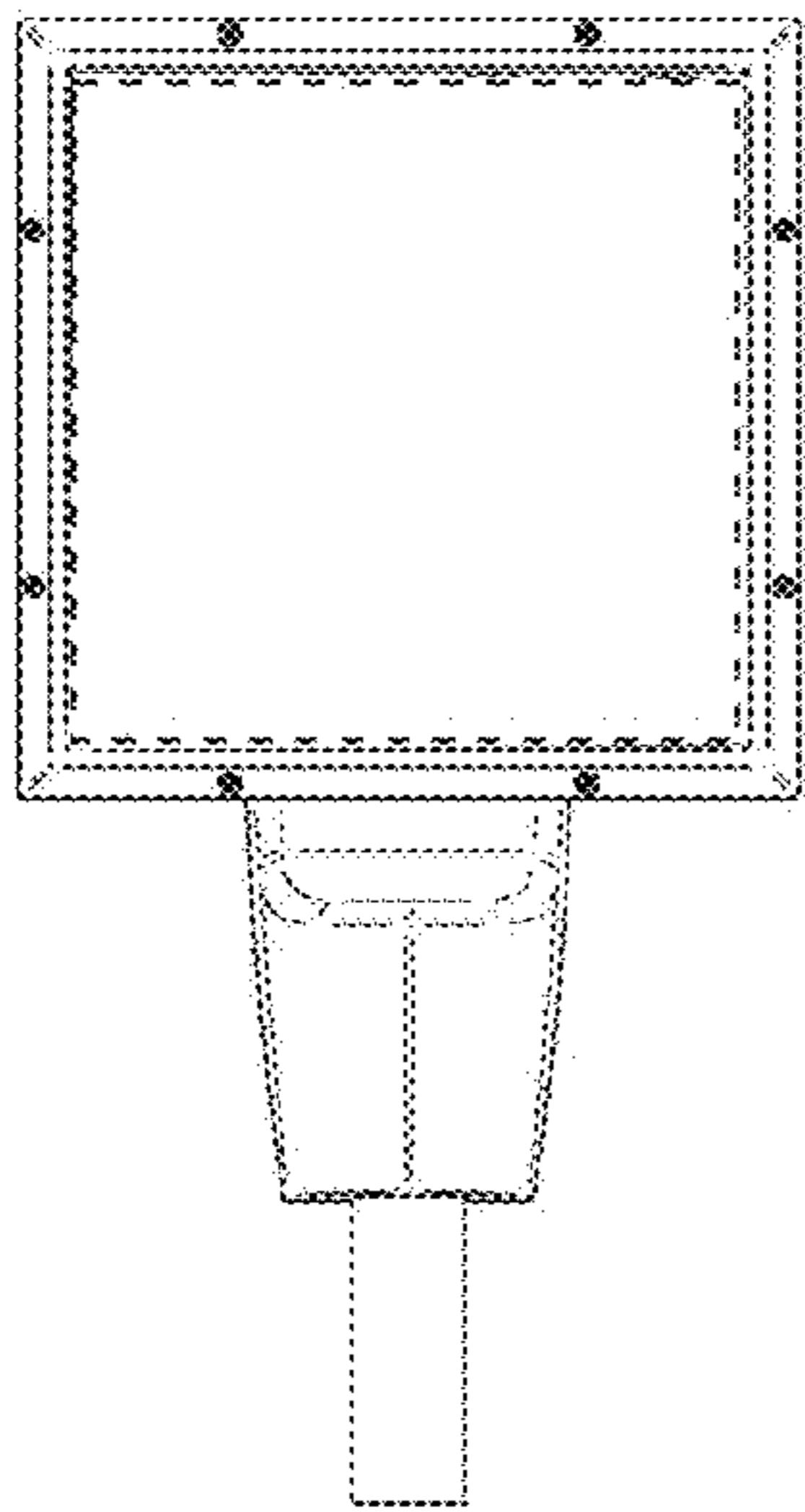


FIG. 17

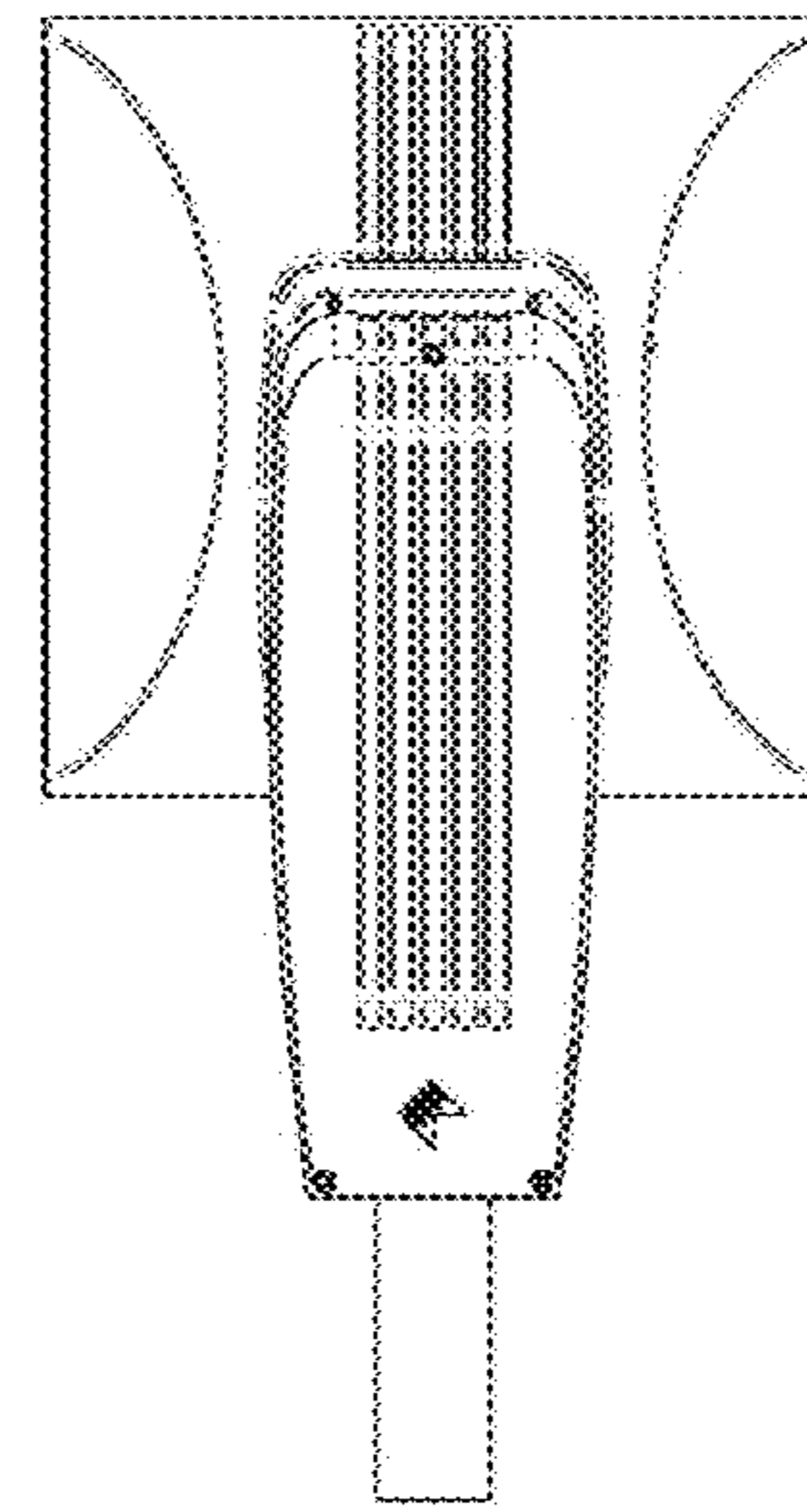


FIG. 18

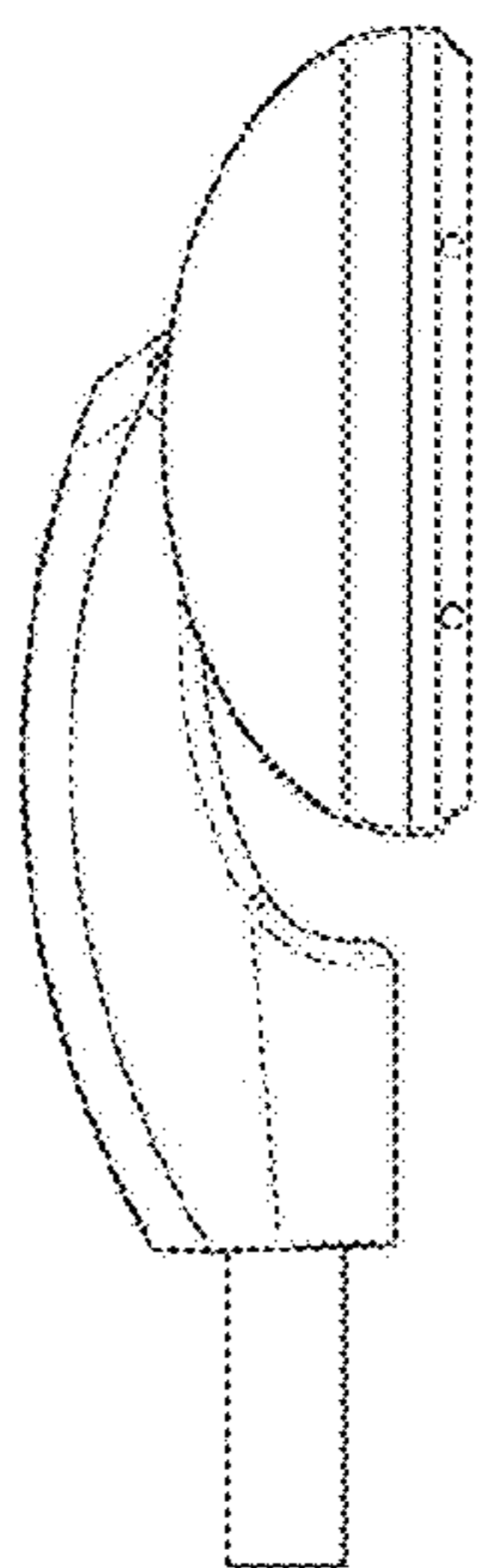


FIG. 19

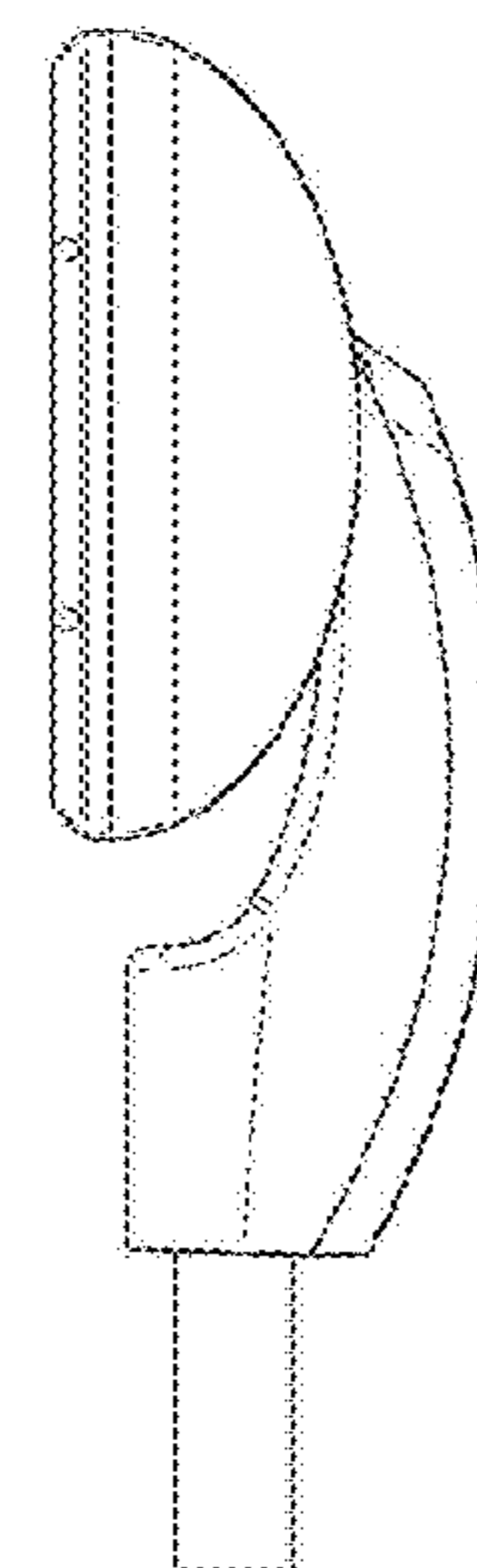


FIG. 20

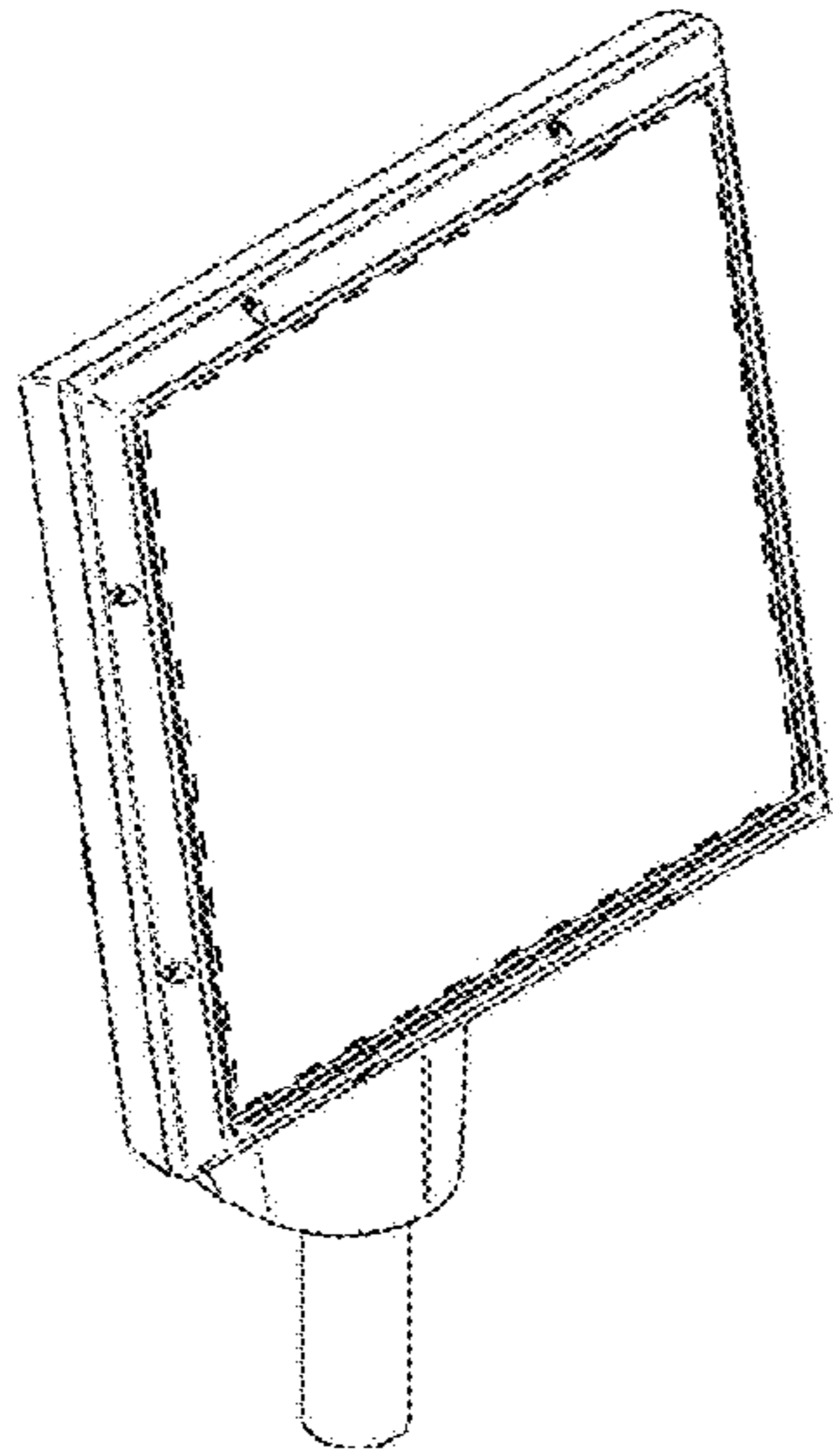


FIG. 21

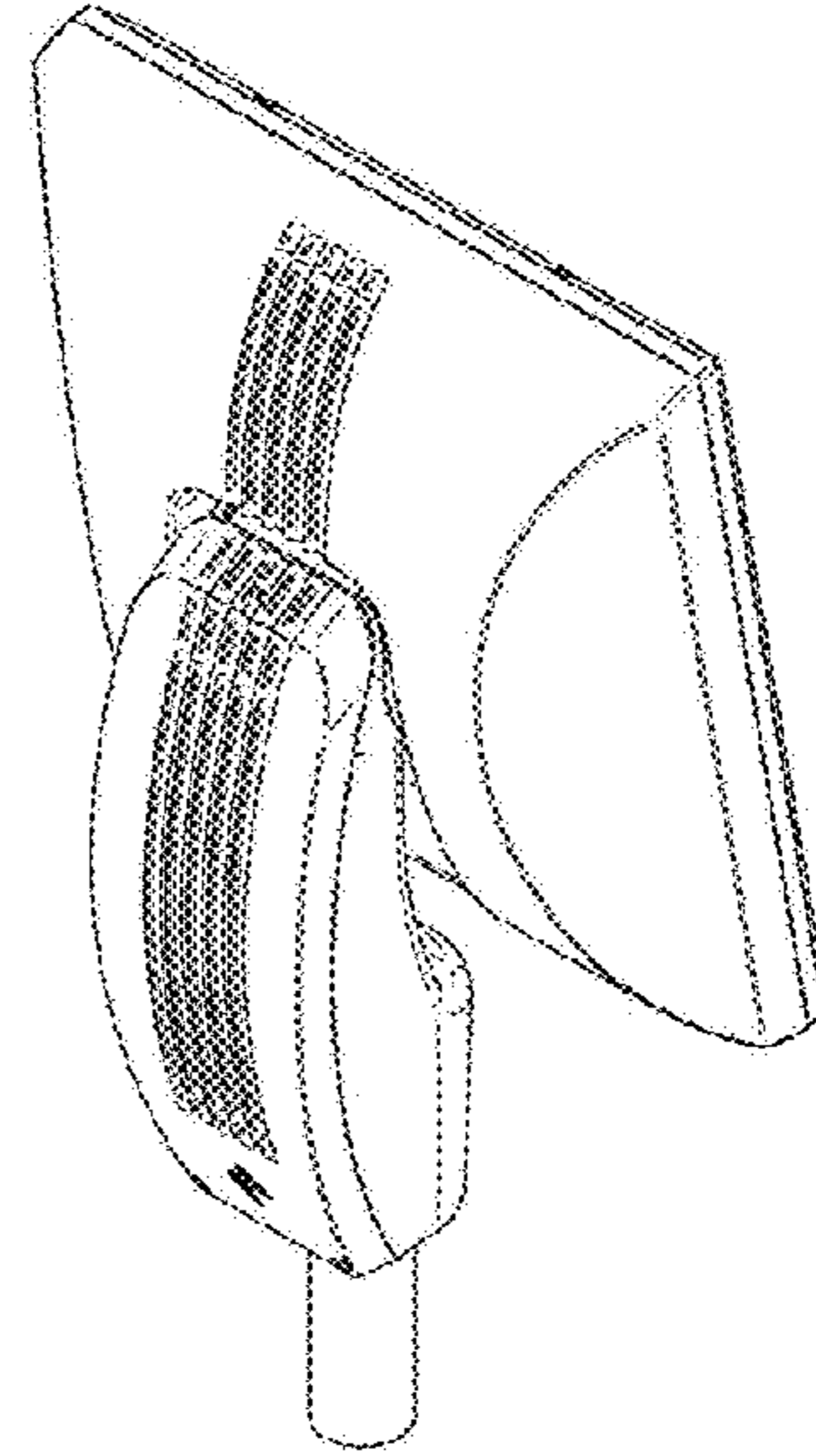


FIG. 22

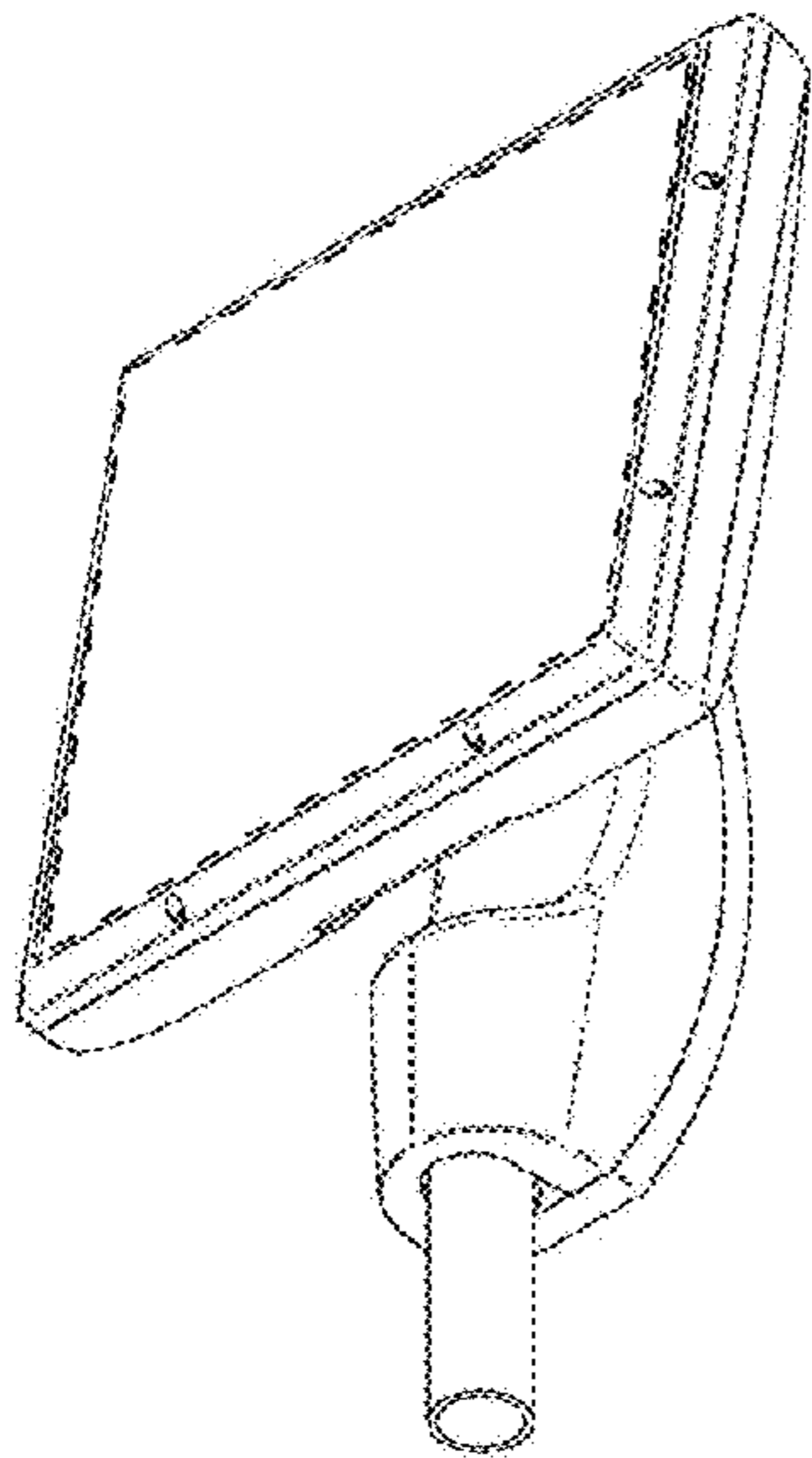


FIG. 23

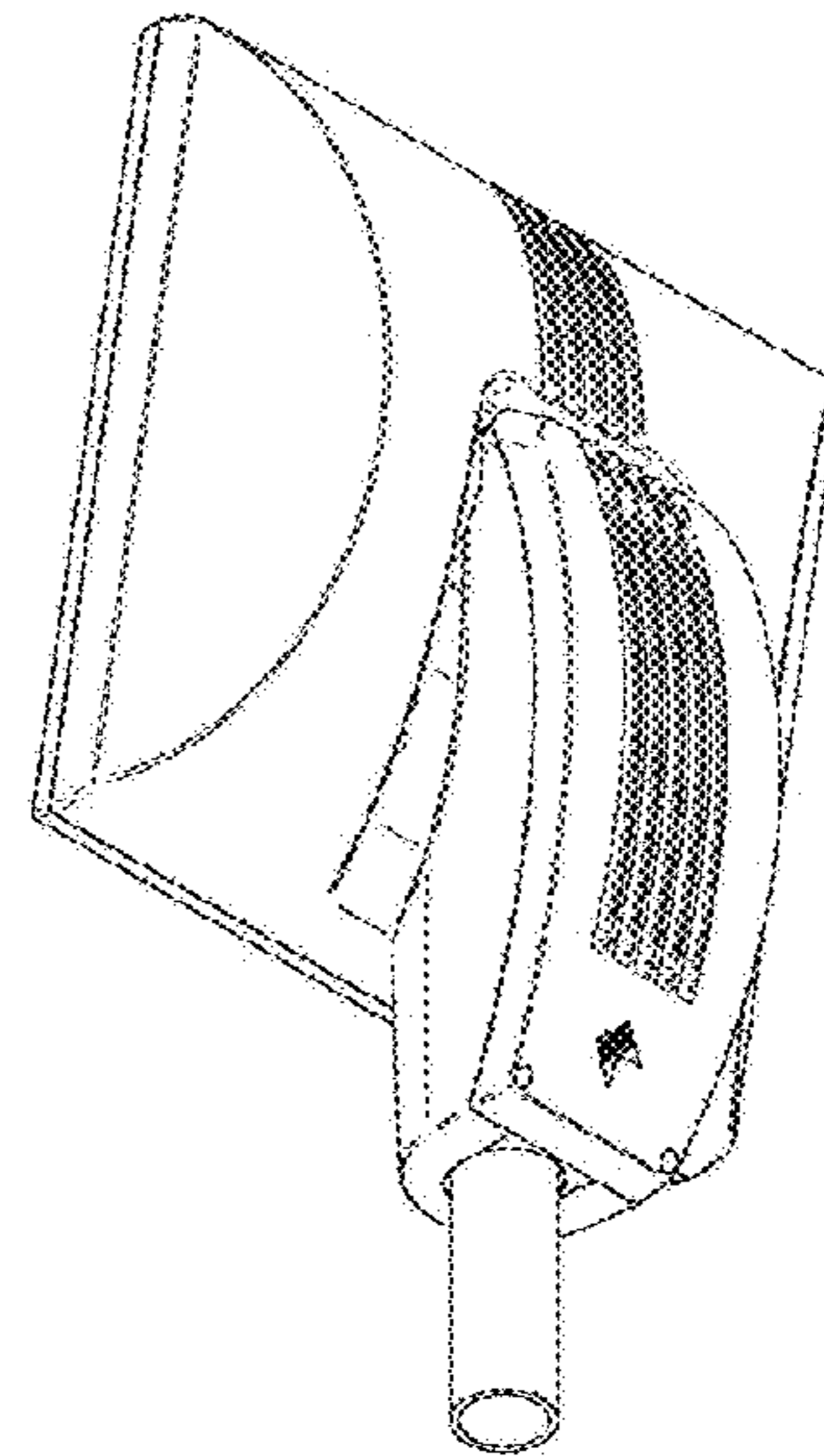


FIG. 24

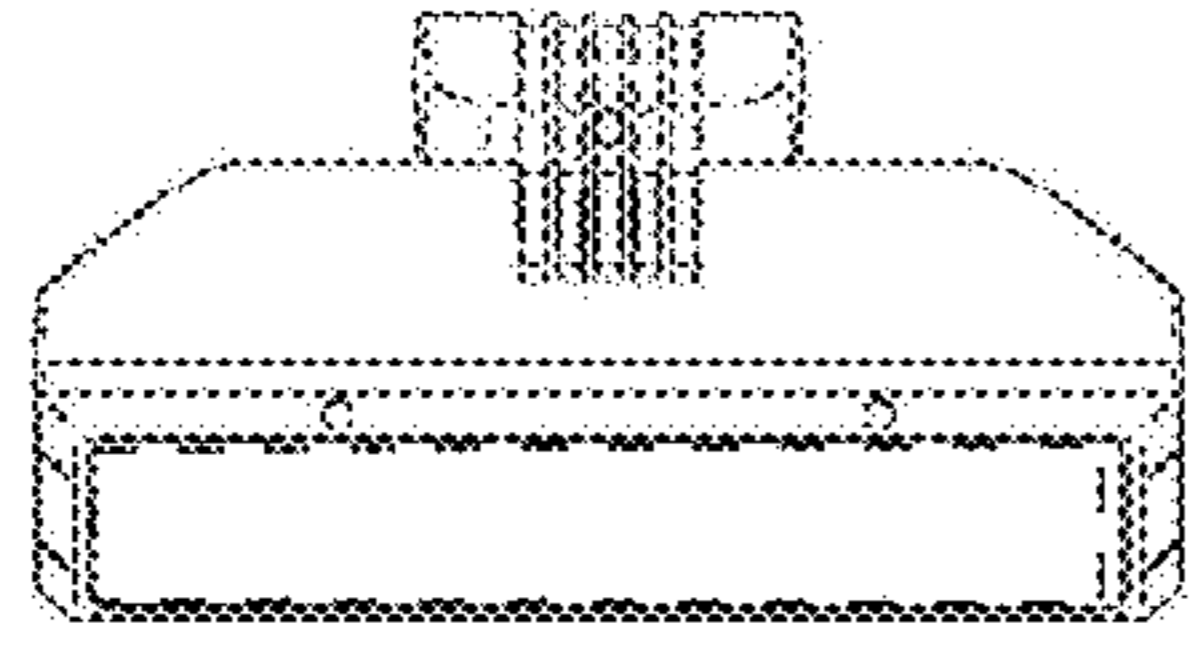


FIG. 25

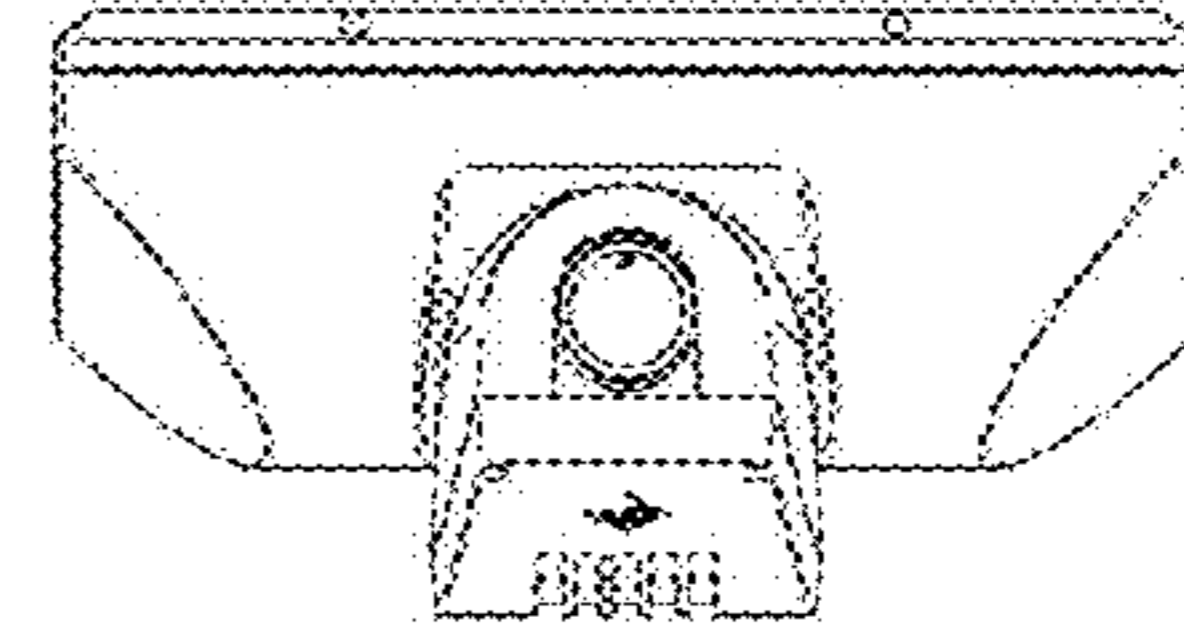


FIG. 26

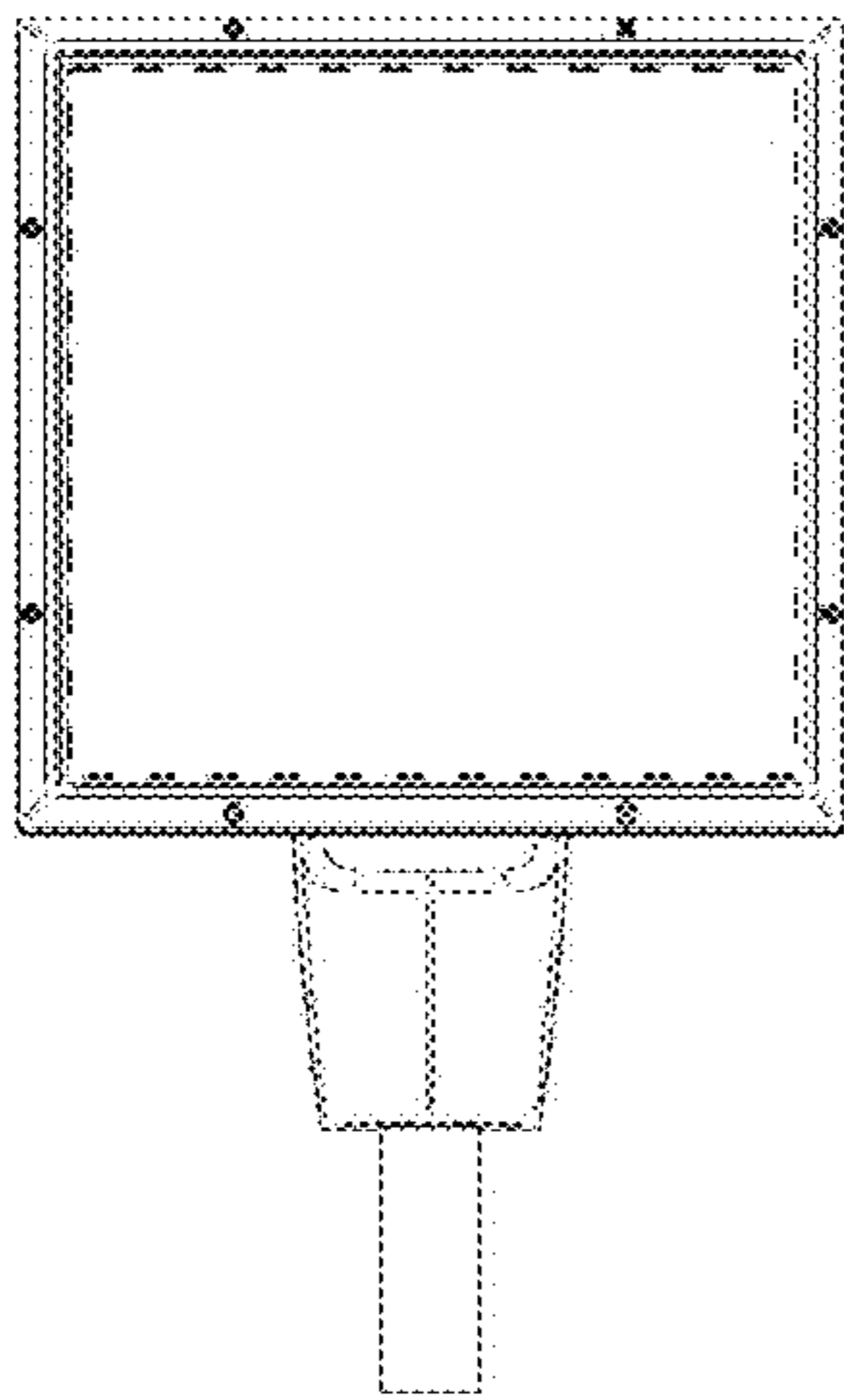


FIG. 27

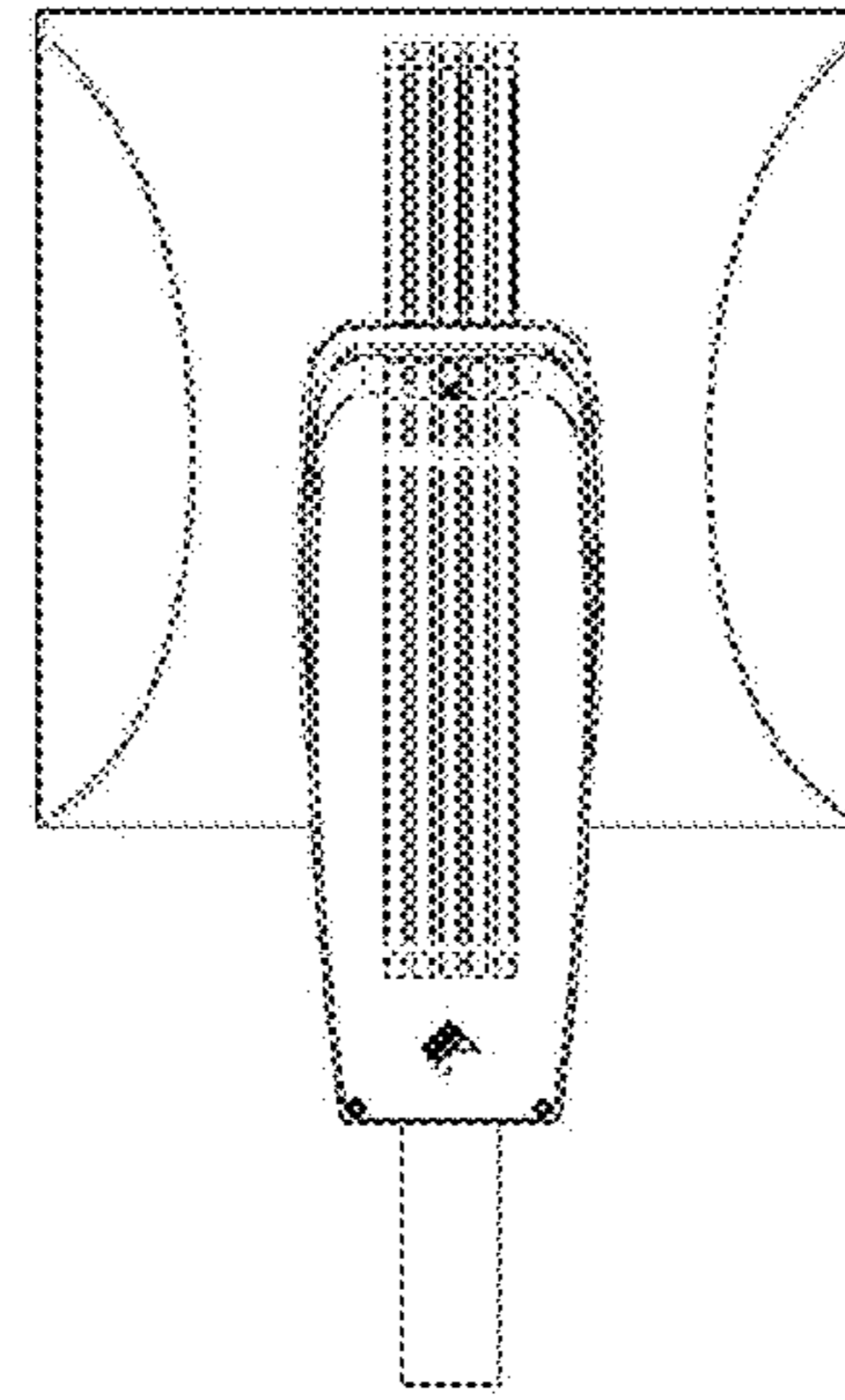


FIG. 28

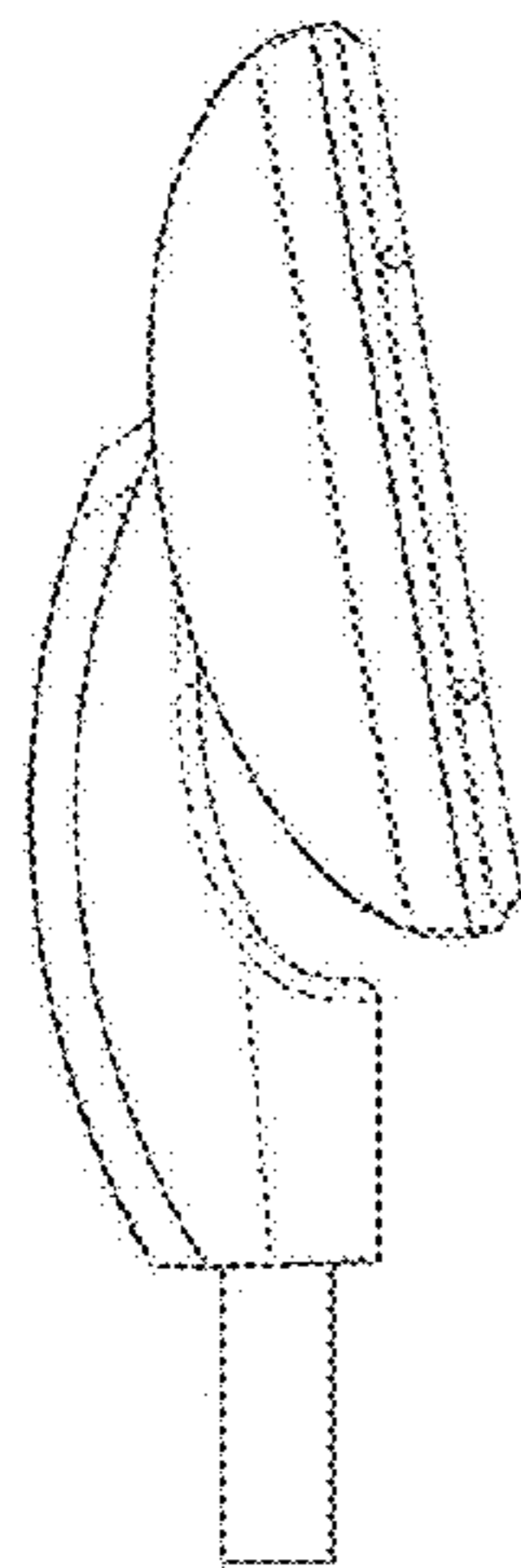


FIG. 29

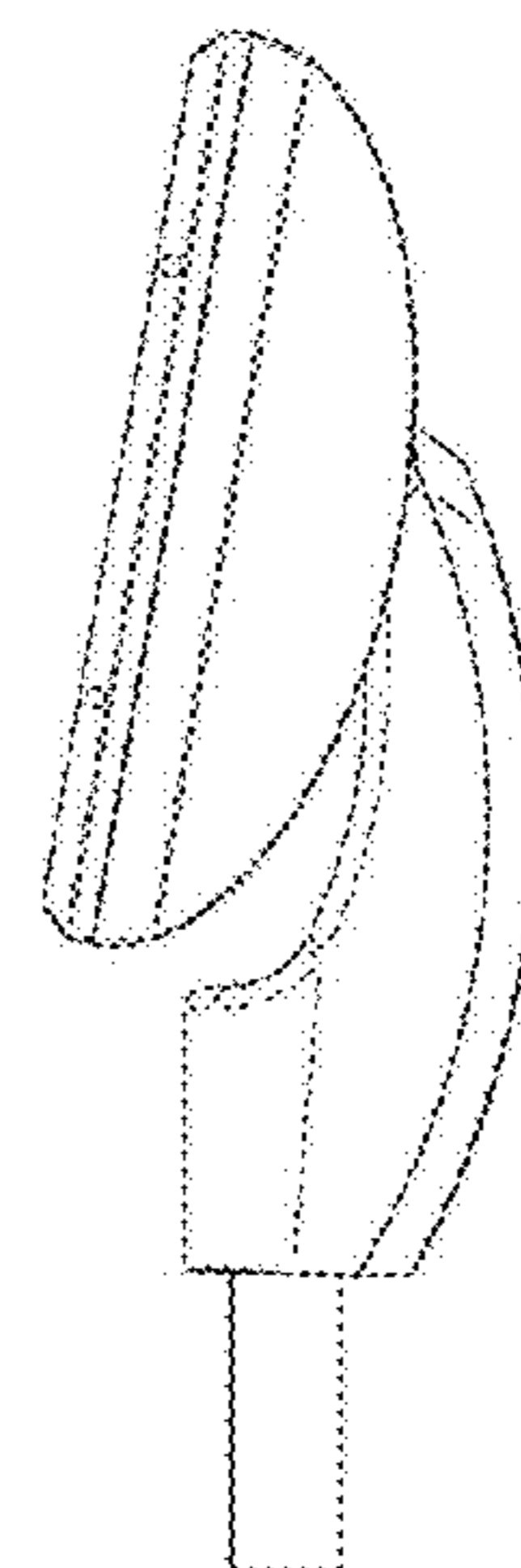


FIG. 30