



US00D771853S

(12) **United States Design Patent** (10) **Patent No.:** **US D771,853 S**
Ott et al. (45) **Date of Patent:** **** Nov. 15, 2016**

(54) **PERSONAL LIGHT DEVICE**
(71) Applicant: **Harman International Industries, Incorporated**, Northridge, CA (US)
(72) Inventors: **Ryan Ott**, St. Louis, MO (US); **Michael Bolster**, Ferguson, MO (US); **Eric Sia**, St. Louis, MO (US)
(73) Assignee: **Harman International Industries, Incorporated**, Northridge, CA (US)

D439,352 S * 3/2001 Lai D26/37
D439,688 S * 3/2001 Suzuki D26/37
D448,873 S * 10/2001 Dalton D26/37
D464,453 S * 10/2002 Cramer D26/37
D475,149 S * 5/2003 Chun D26/37
D524,962 S * 7/2006 Farmer D26/37
D608,035 S * 1/2010 Lee D26/37
D618,831 S * 6/2010 Pennington D26/26
D624,222 S * 9/2010 Poon D26/46
D627,497 S * 11/2010 Jiang D26/37

* cited by examiner

(**) Term: **14 Years**

Primary Examiner — Ian Simmons

Assistant Examiner — Carissa C Fitts

(21) Appl. No.: **29/522,314**

(74) *Attorney, Agent, or Firm* — Plumsea Law Group, LLC

(22) Filed: **Mar. 30, 2015**

(51) **LOC (10) Cl.** **26-02**

(52) **U.S. Cl.**
USPC **D26/37**

(57) **CLAIM**

The ornamental design for a personal light device, as shown and described.

(58) **Field of Classification Search**
USPC D26/40, 41, 51, 38, 37; 362/157, 158, 362/183, 184, 194–196, 200–208, 174–176
CPC F21L 2003/00; F21L 4/00; F21L 4/005; F21L 4/02; F21L 4/025; F21L 4/027; F21L 4/04; F21L 4/08; F21L 2005/00; F21L 7/00; F21L 11/00; F21L 13/00; F21L 13/04; F21L 13/08; F21L 14/02; F21L 17/00; F21L 19/00; F21L 25/00
See application file for complete search history.

DESCRIPTION

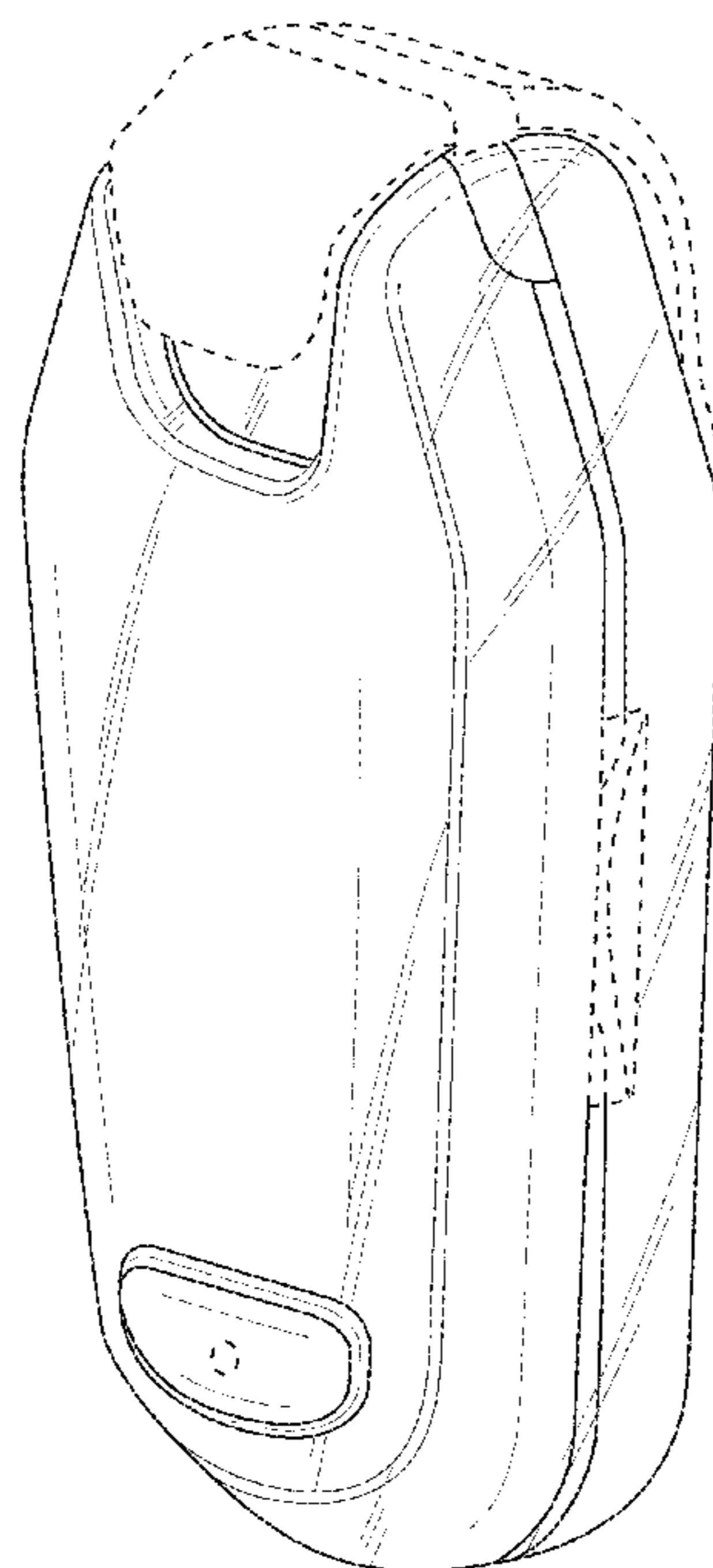
FIG. 1 is a perspective view of a personal light device showing our new design;
FIG. 2 is a side elevational view thereof, the opposite side elevational view being a mirror image;
FIG. 3 is a front elevational view thereof;
FIG. 4 is a top plan view thereof; and,
FIG. 5 is a bottom plan view of the opposite side thereof.
The broken line showing represents portions of the article which are not claimed and forms no part of the claimed design.

(56) **References Cited**

U.S. PATENT DOCUMENTS

D415,585 S * 10/1999 Leung D26/37
D419,891 S * 2/2000 Chan D10/15

1 Claim, 4 Drawing Sheets



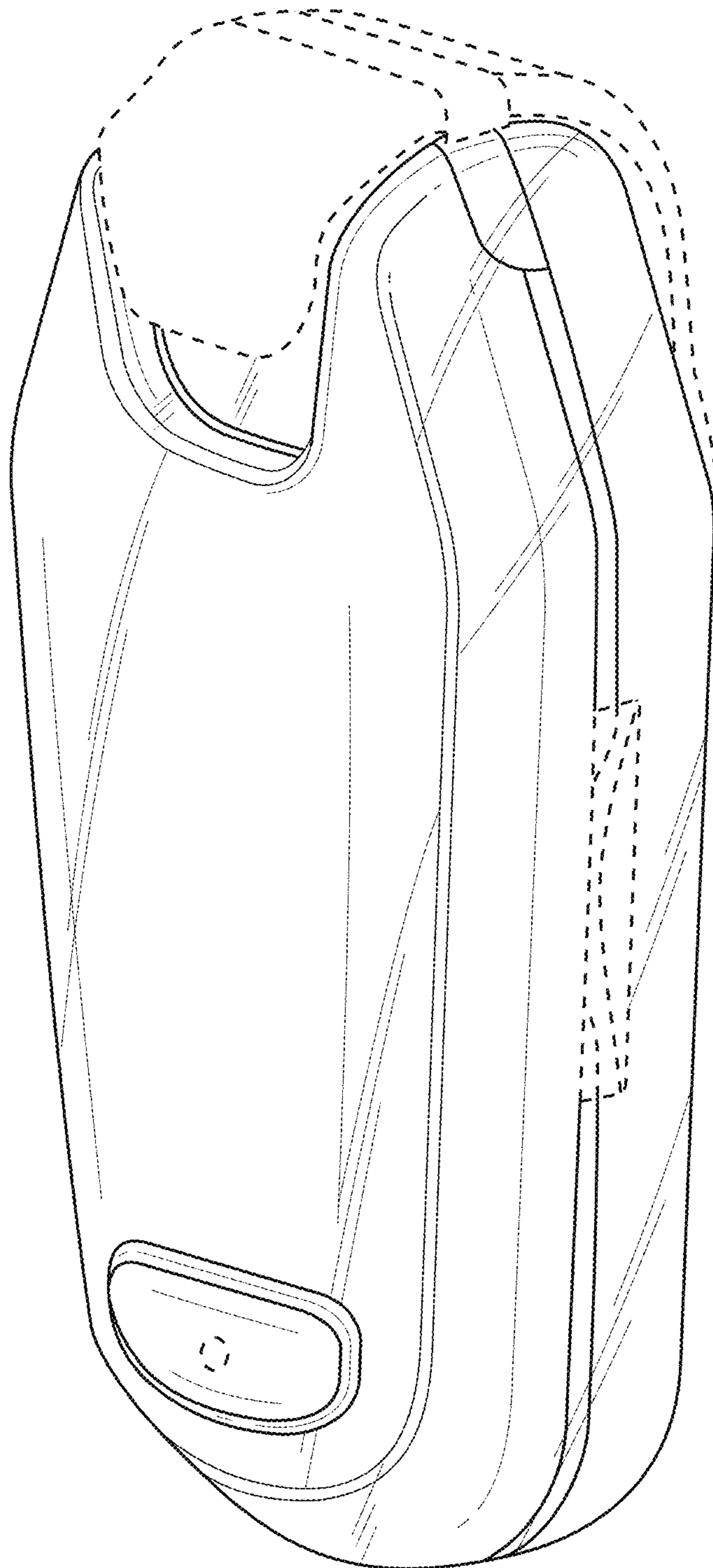


FIG. 1

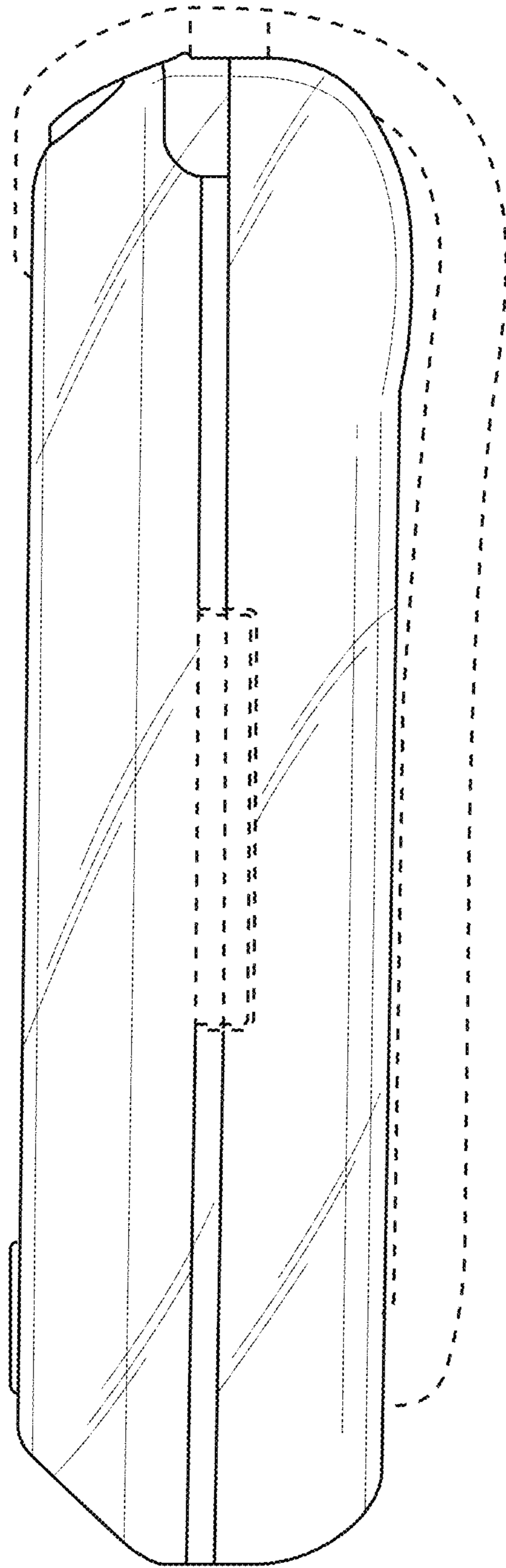


FIG. 2

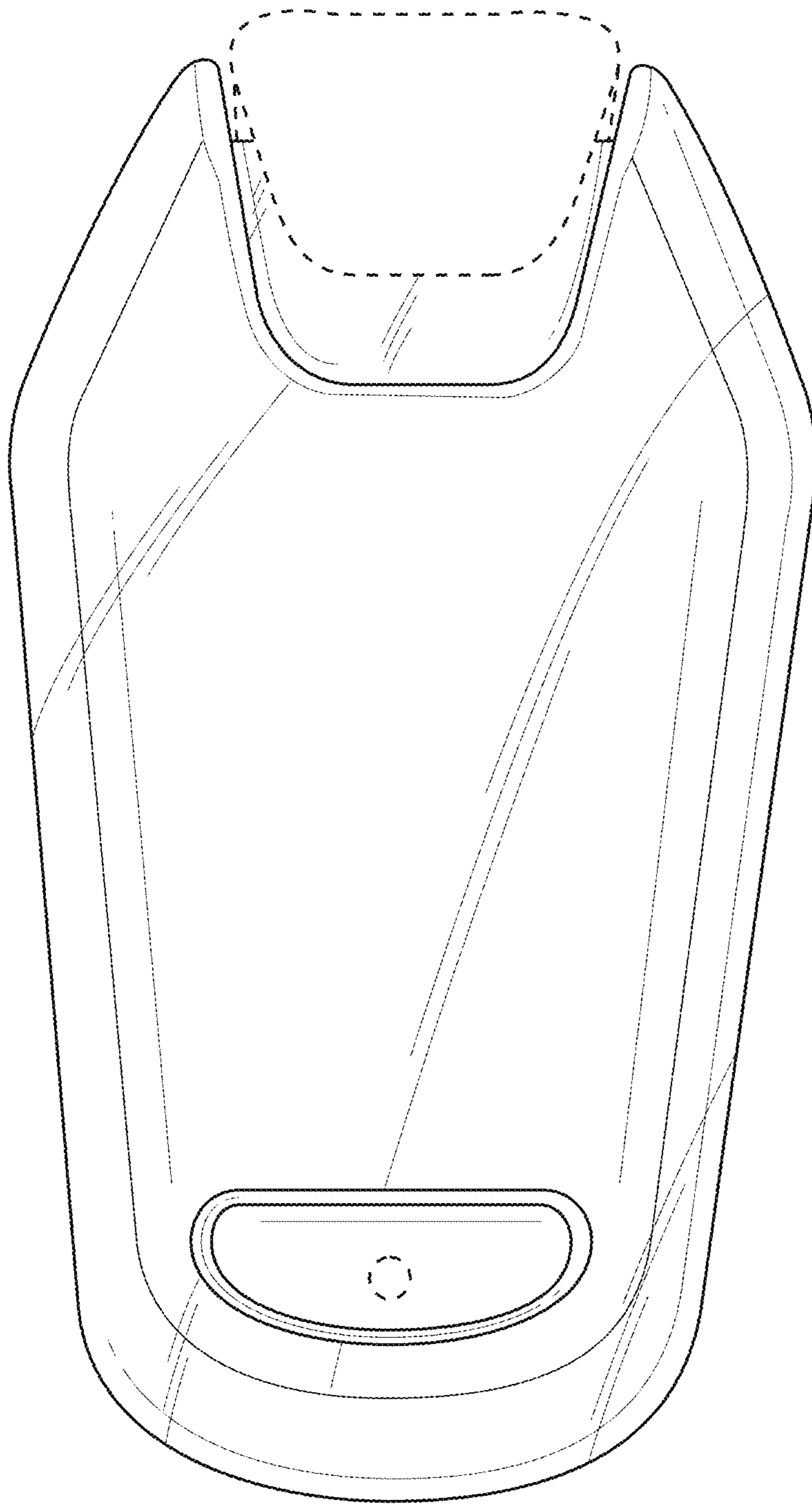


FIG. 3

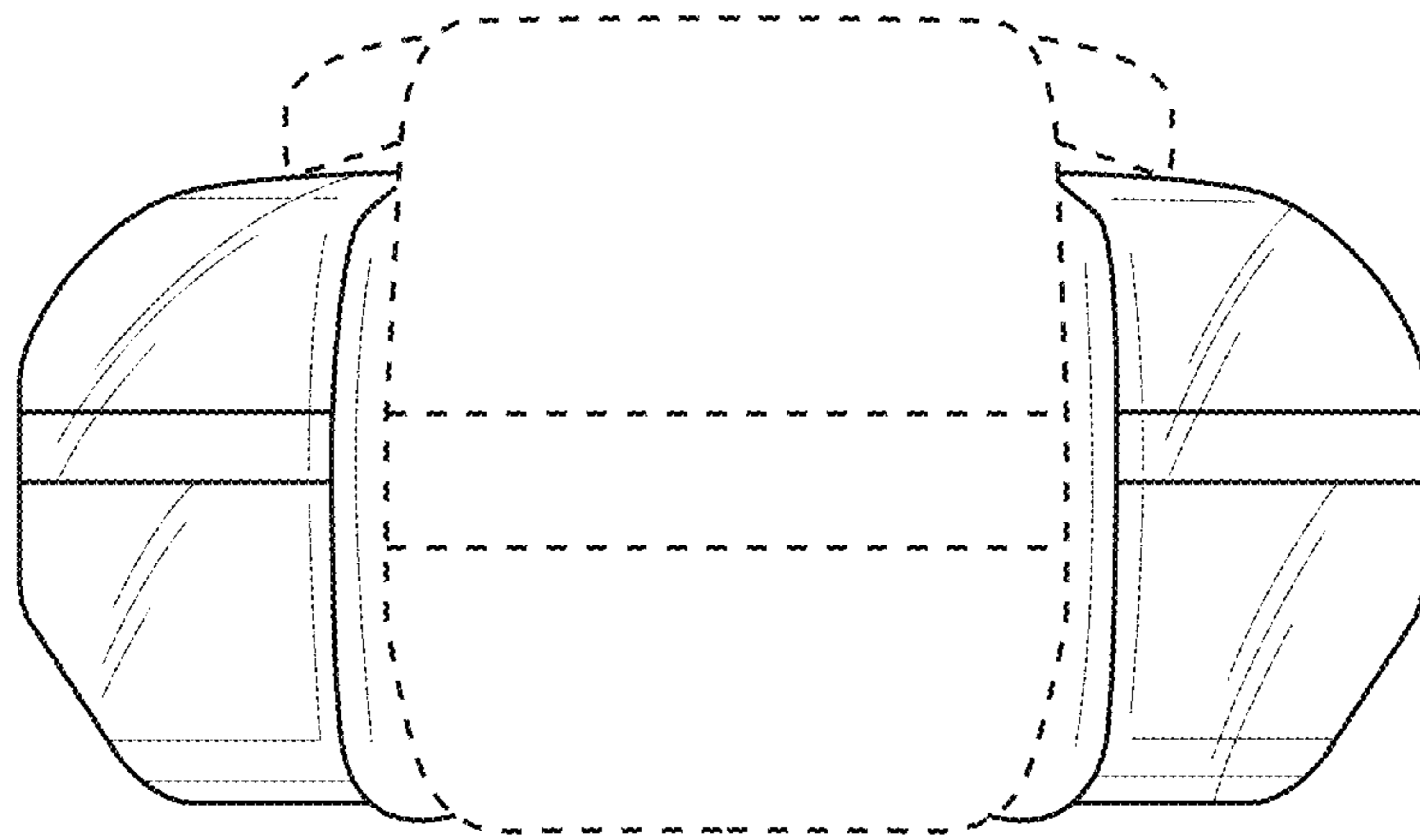


FIG. 4

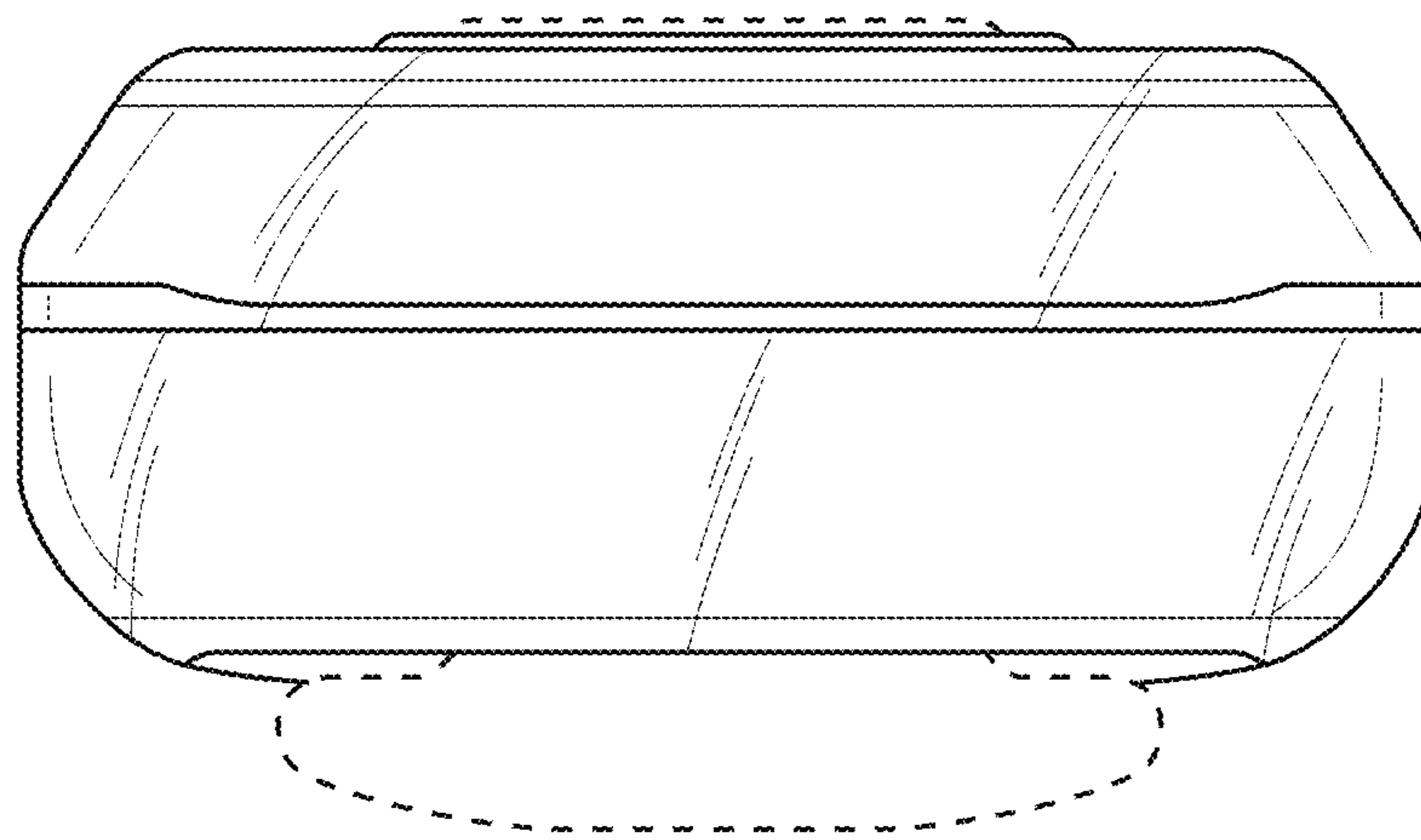


FIG. 5