

US00D771851S

(12) **United States Design Patent** (10) **Patent No.:** **US D771,851 S**  
**Platto et al.** (45) **Date of Patent:** **\*\* Nov. 15, 2016**

(54) **VEHICLE TAIL LAMP**

D617,477 S \* 6/2010 Woolley ..... D26/28  
D661,830 S \* 6/2012 de Queiroz ..... D26/28  
D708,365 S \* 7/2014 Platto ..... D26/28

(71) Applicant: **Ford Motor Company**, Dearborn, MI (US)

\* cited by examiner

(72) Inventors: **Gordon Platto**, Troy, MI (US); **Sean Tant**, Livonia, MI (US); **William K. Moore**, West Bloomfield, MI (US); **Richard Howard**, Brighton, MI (US); **Bruce P. Williams**, Grosse Pointe Park, MI (US)

*Primary Examiner* — Marcus Jackson

(74) *Attorney, Agent, or Firm* — Damian Porcari

(73) Assignee: **Ford Motor Company**, Dearborn, MI (US)

(57) **CLAIM**

The ornamental design for a vehicle tail lamp, as shown and described.

(\*\*) Term: **15 Years**

(21) Appl. No.: **29/537,842**

**DESCRIPTION**

(22) Filed: **Aug. 28, 2015**

(51) **LOC (10) Cl.** ..... **26-06**

(52) **U.S. Cl.**  
USPC ..... **D26/28**

(58) **Field of Classification Search**  
USPC ..... D26/28-36; 362/459-468, 475-478, 362/485-487  
CPC ..... F21S 48/00; F21S 48/10; F21S 48/115; F21S 48/225; F21S 48/1233; F21S 48/1266; F21S 48/1388; F21S 48/2268; F21V 21/04  
See application file for complete search history.

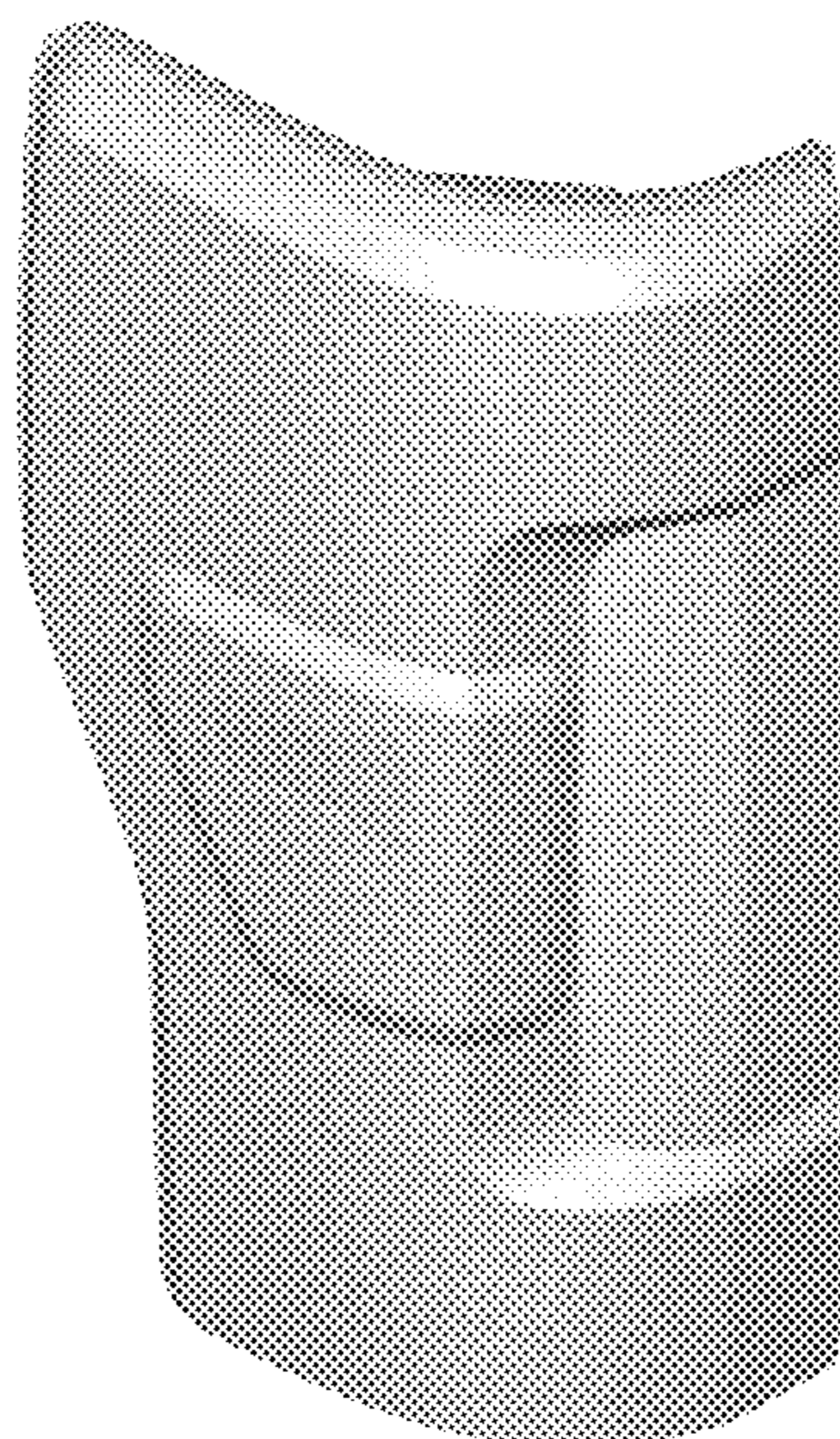
FIG. 1 is a top front perspective view of the first embodiment of a vehicle tail lamp, showing our new design;  
FIG. 2 is a bottom front perspective view thereof;  
FIG. 3 is a top rear perspective view thereof;  
FIG. 4 is a front elevational view thereof;  
FIG. 5 is a rear elevational view thereof;  
FIG. 6 is a left side elevational view thereof;  
FIG. 7 is a right side elevational view thereof;  
FIG. 8 is a top plan view thereof; and,  
FIG. 9 is a bottom plan view thereof.  
The second embodiment of the vehicle tail lamp is a mirror image of the first embodiment disclosed in FIGS. 1 through 9 and is not shown.

(56) **References Cited**

U.S. PATENT DOCUMENTS

D526,426 S \* 8/2006 Fukui ..... D26/28  
D552,769 S \* 10/2007 Leclercq ..... D26/28  
D601,730 S \* 10/2009 Richards ..... D26/28

**1 Claim, 9 Drawing Sheets**



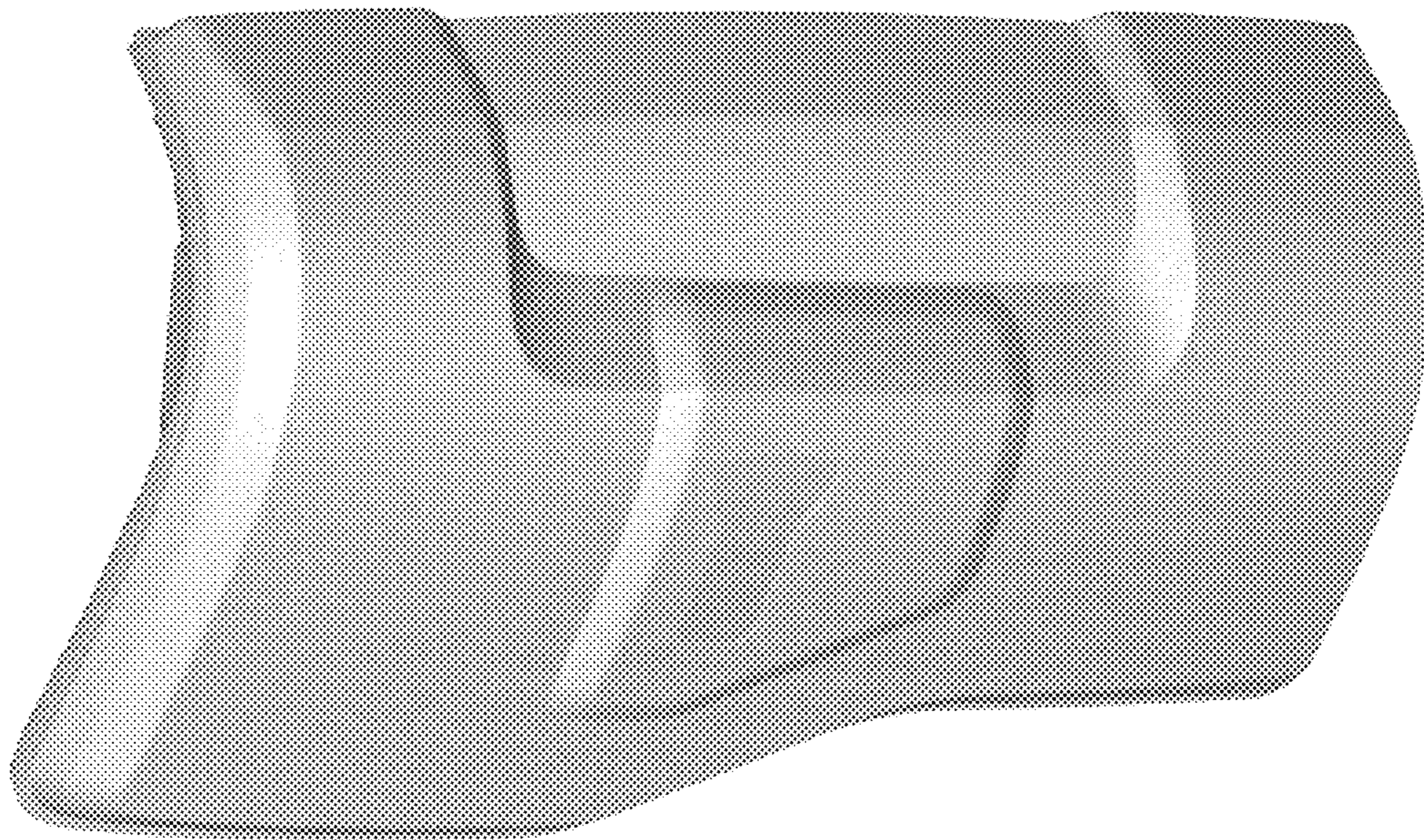


Figure 1

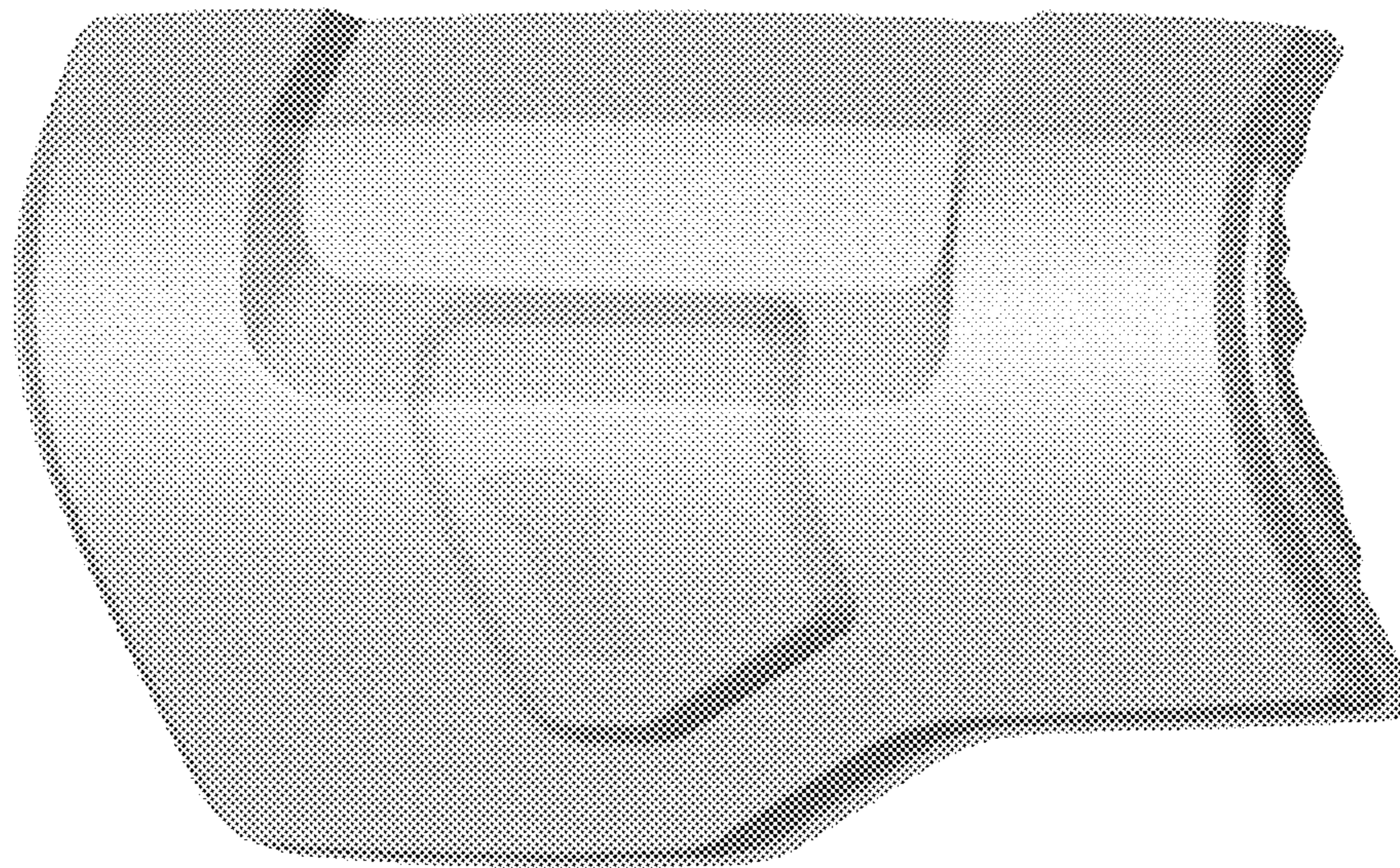


Figure 2

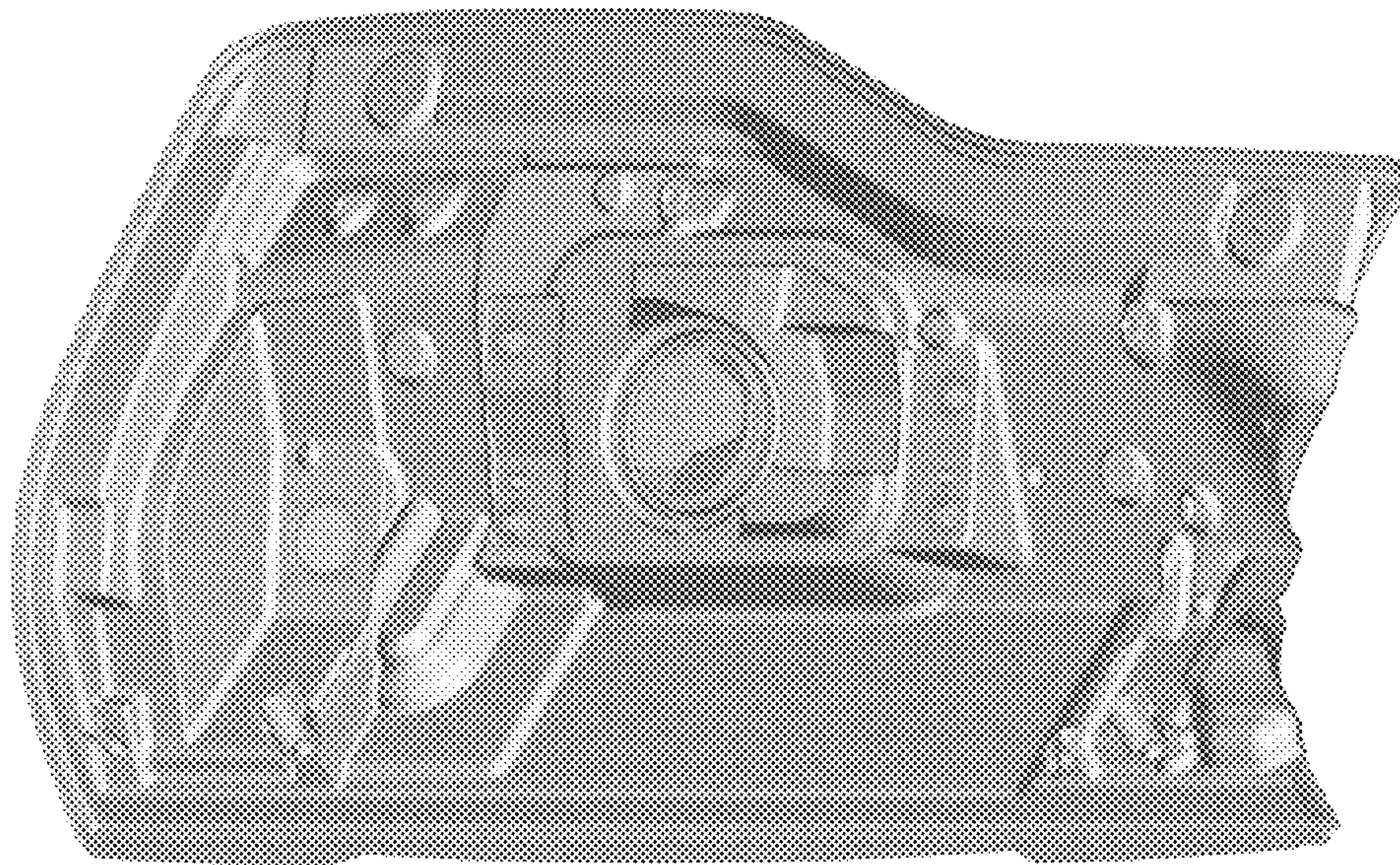


Figure 3

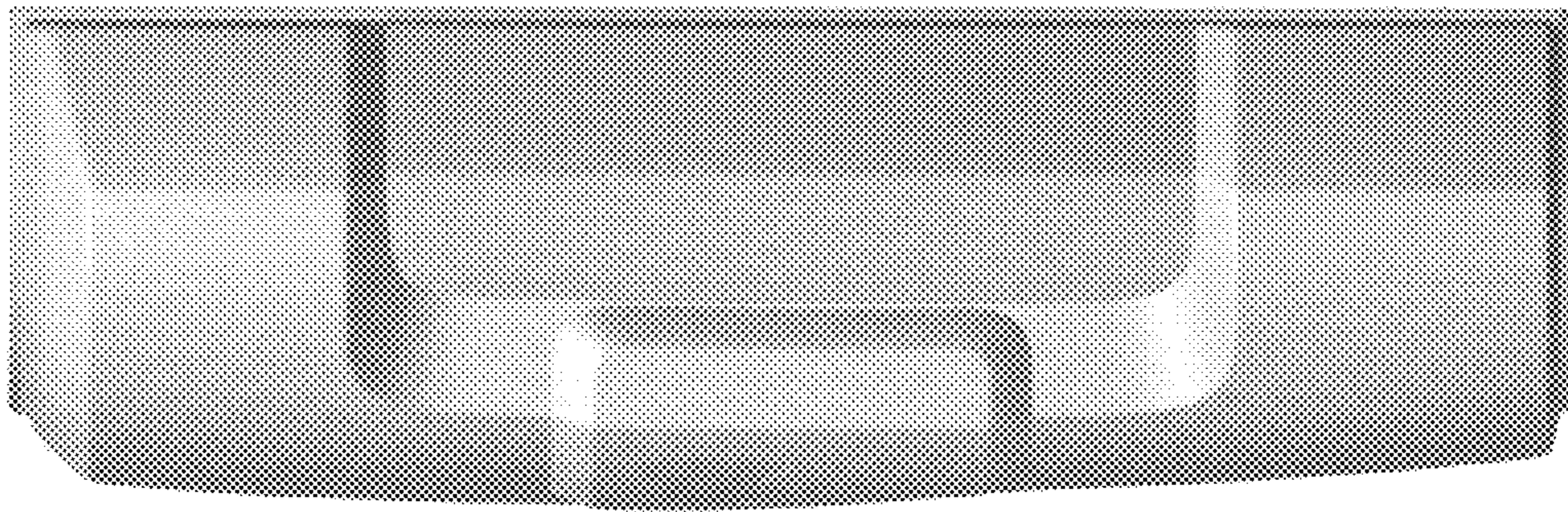


Figure 4

Figure 5

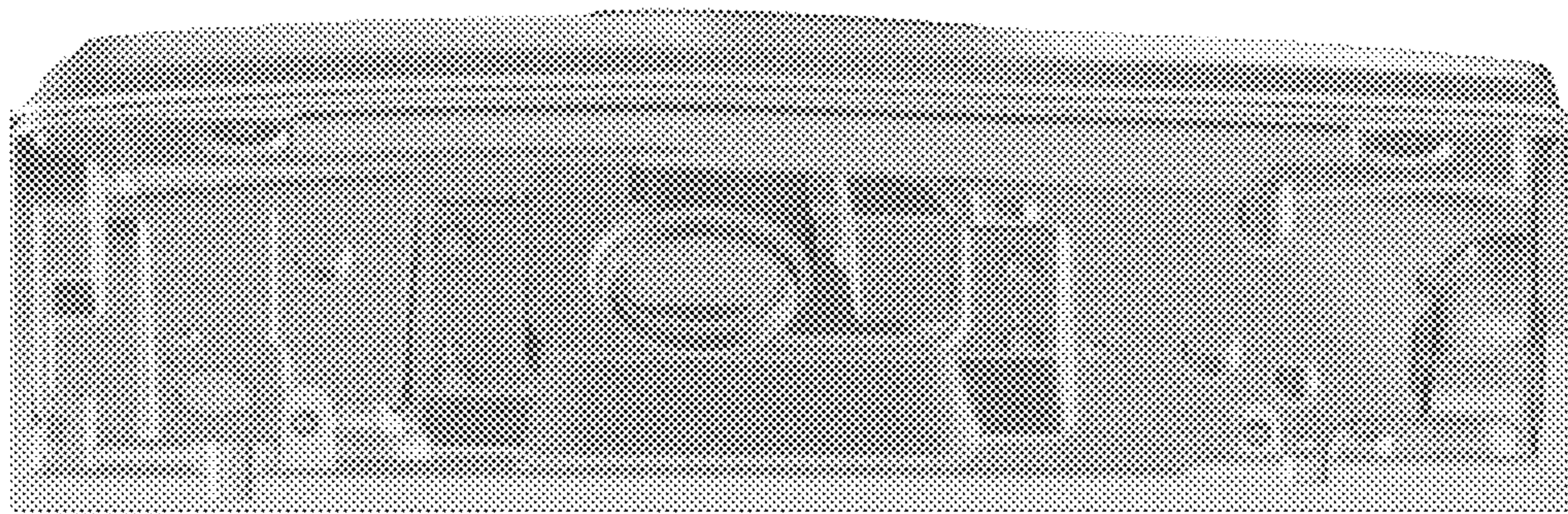
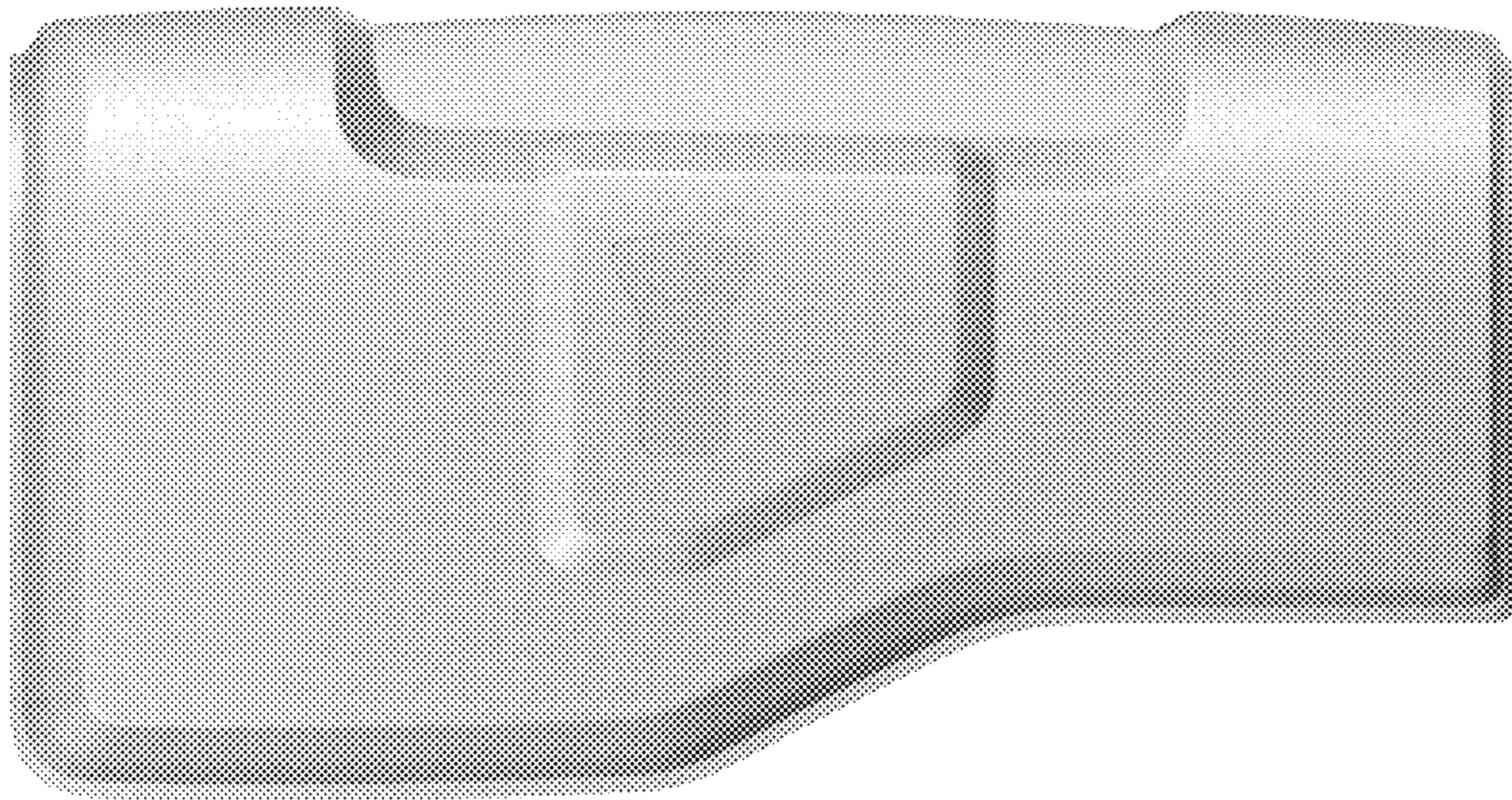


Figure 6



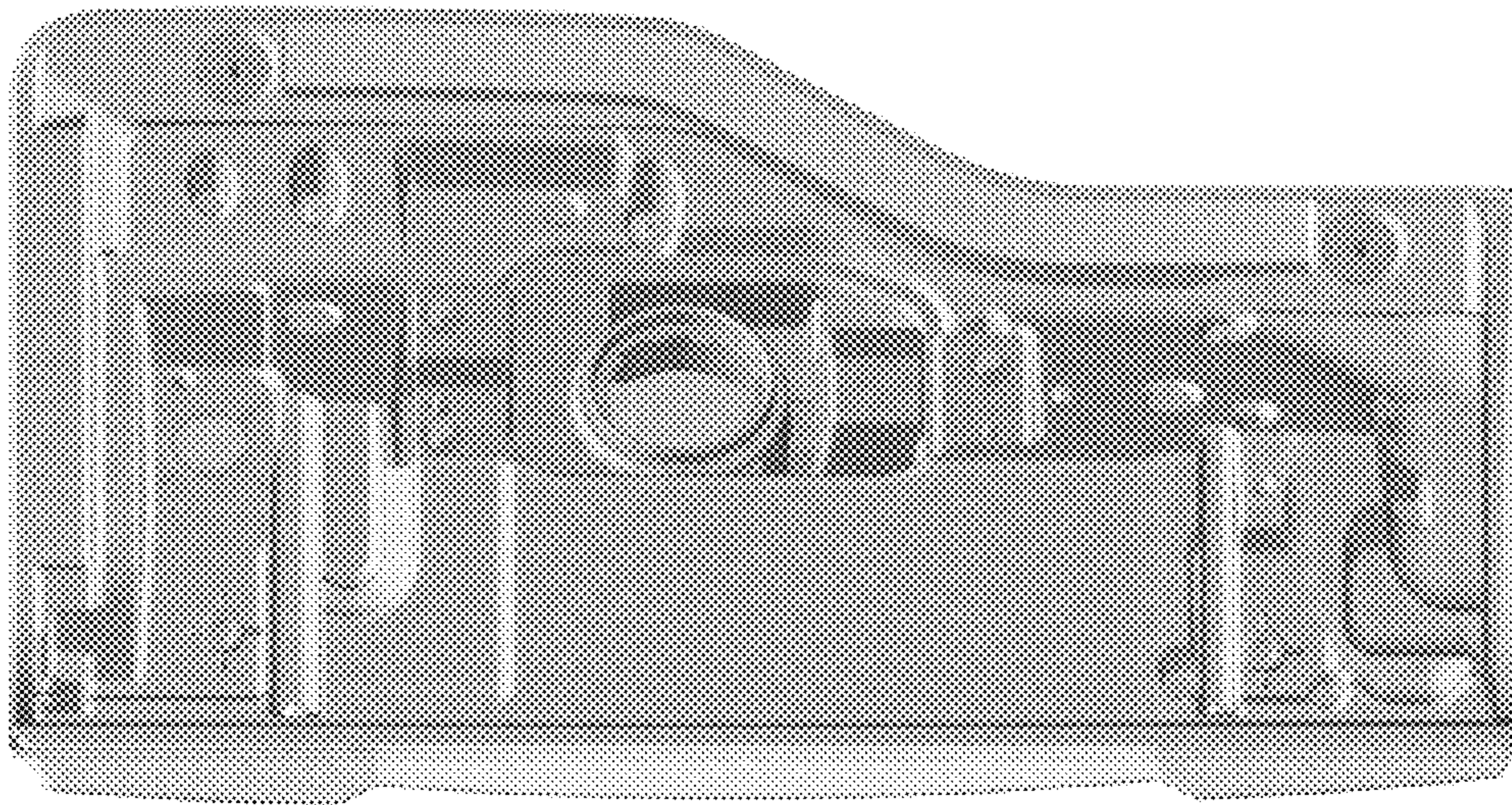


Figure 7



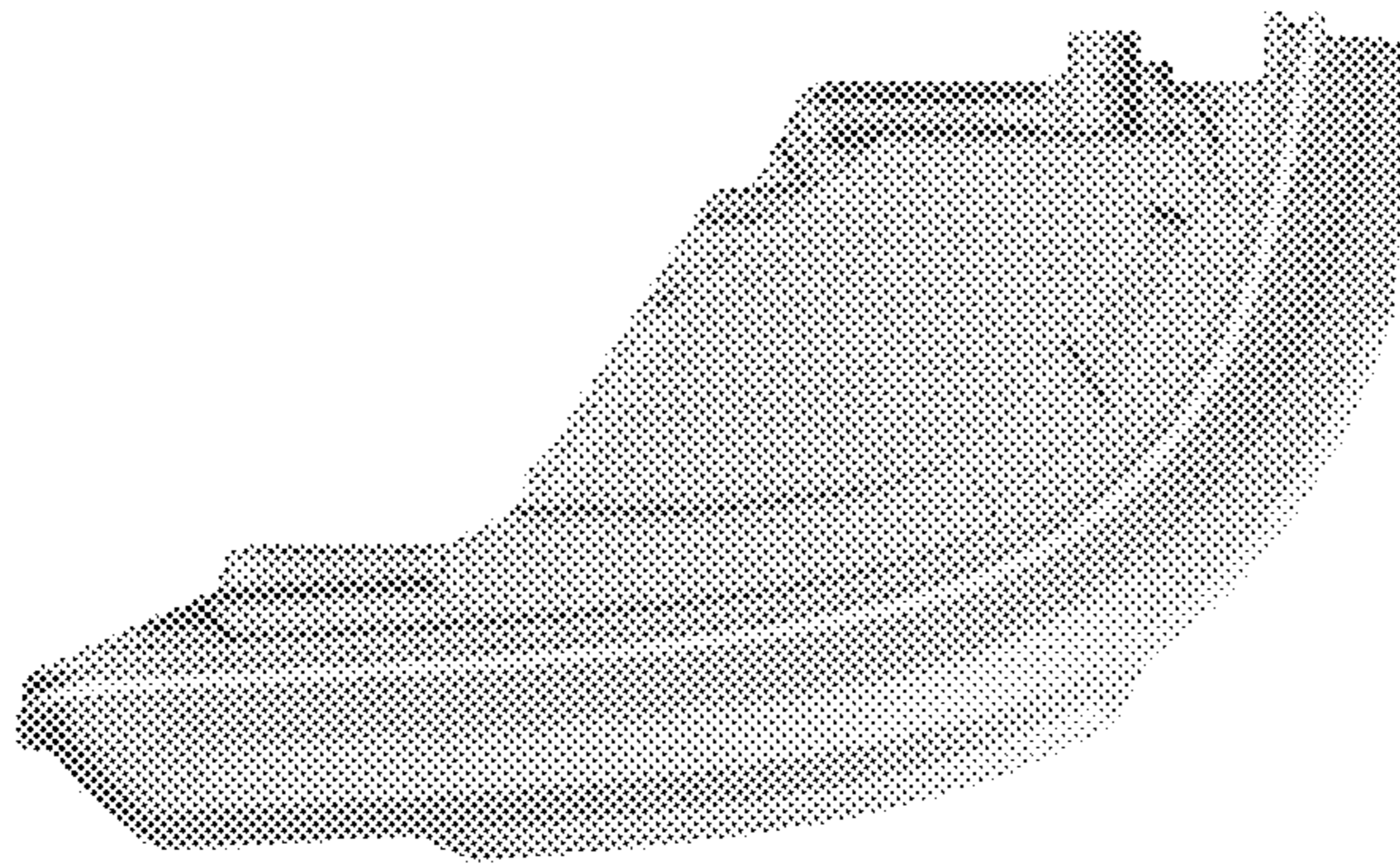


Figure 8

Figure 9

