



US00D771846S

(12) **United States Design Patent** (10) **Patent No.:** **US D771,846 S**
Davis et al. (45) **Date of Patent:** **** Nov. 15, 2016**

(54) **HOLDER FOR DISPENSER ELEMENT AND CANDLE**

F21S 13/00; F21S 13/12; C11C 5/00; A01M 1/2088

See application file for complete search history.

(71) Applicant: **S. C. Johnson & Son, Inc.**, Racine, WI (US)

(56) **References Cited**

(72) Inventors: **Brian T. Davis**, Burlington, WI (US); **Shih-Tung Chang**, Brookline, MA (US); **Jacob S. Childs**, Los Angeles, CA (US); **Michel D. Arney**, Wellesley, MA (US)

U.S. PATENT DOCUMENTS

D120,587 S * 5/1940 Hinkins D7/532
4,781,895 A 11/1988 Spector

(Continued)

(73) Assignee: **S. C. Johnson & Son, Inc.**, Racine, WI (US)

OTHER PUBLICATIONS

An Oct. 3, 2013 web site excerpt showing a totalbeerenlightenment advertisement for a beer glass.

(**) Term: **15 Years**

Primary Examiner — T. Chase Nelson

Assistant Examiner — Ania Aman

(21) Appl. No.: **29/539,883**

(22) Filed: **Sep. 18, 2015**

(57) **CLAIM**

The ornamental design for a holder for dispenser element and candle, as shown and described.

Related U.S. Application Data

(62) Division of application No. 29/492,182, filed on May 29, 2014, now Pat. No. Des. 742,040.

DESCRIPTION

(51) **LOC (10) Cl.** **26-01**

(52) **U.S. Cl.**
USPC **D26/10**

(58) **Field of Classification Search**

USPC D26/22, 9, 1, 19, 20, 52, 6, 10, 11, 12, D26/13, 14, 15, 16, 7, 23, 96, 101, 102, D26/116; 431/589, 290-295, 288, 125, 126, 431/366, 369; 392/418, 390, 403-406; D11/155, 143, 146, 147, 153, 156, 164, D11/152; D7/553.6, 545, 542, 553.7, 587, D7/598, 6, 7, 8, 9, 10, 11, 13, 14, 15, D7/396.2, 526-528, 530-532, 540, 565, D7/584, 900, 509, 523, 507, 500, 510, 524, D7/511; D34/1; D9/500-505, 462, 516, D9/370, 399, 373, 519, 549, 555, 776, 778
CPC F21V 35/00; F21V 35/003; F21V 35/006; F21V 37/00; F21V 37/0008; F21V 37/0058; F21V 37/0095; A61L 9/037; A61L 9/127;

FIG. 1 is an upper frontal perspective view a holder for dispenser element and candle showing our new design; FIG. 2 is a front elevational, and also a rear elevational, view thereof;

FIG. 3 is a right side elevational, and also left side elevational, view thereof;

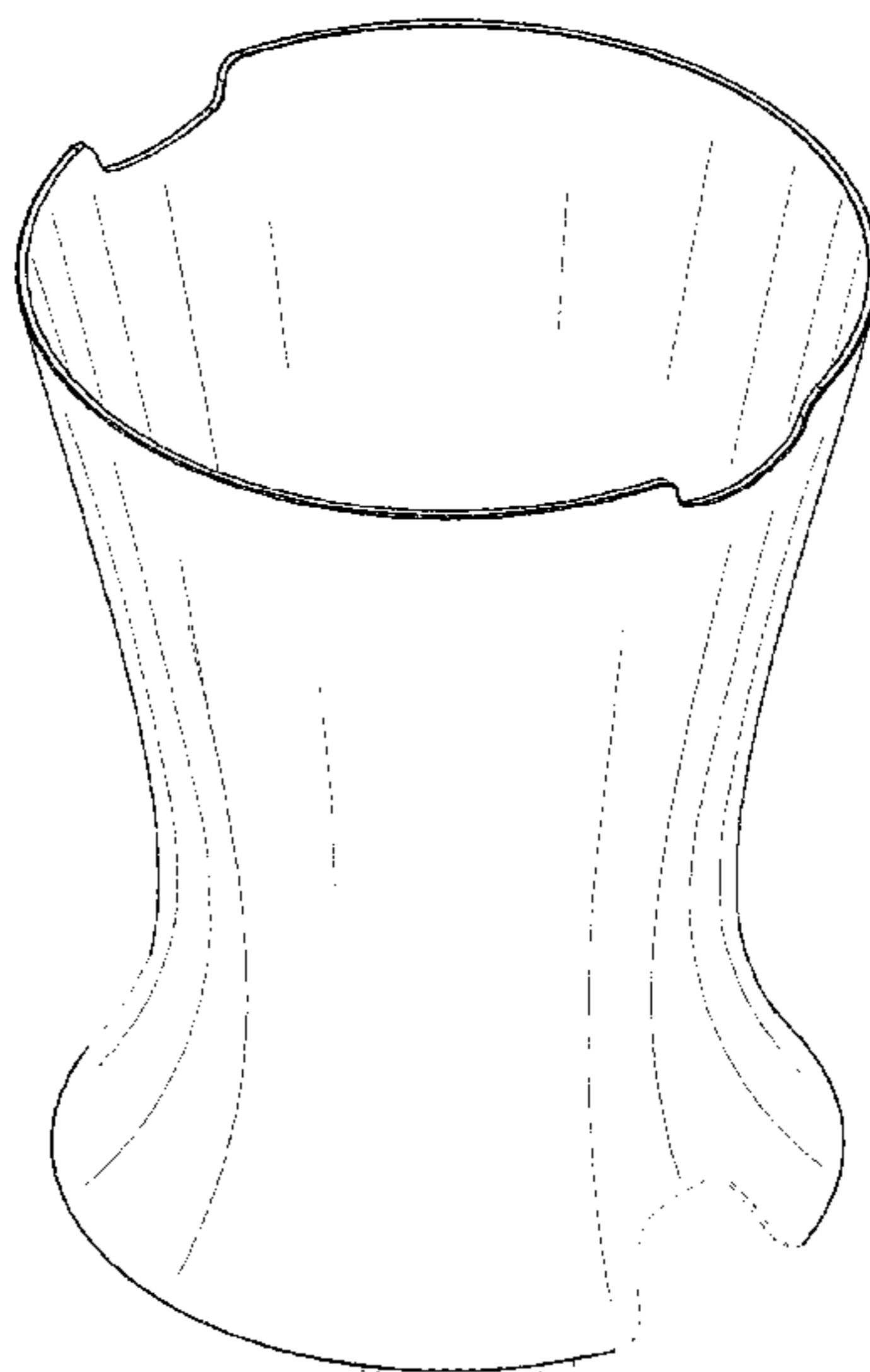
FIG. 4 is a top plan view thereof; and,

FIG. 5 is a bottom plan view thereof.

The broken lines shown in FIGS. 1, 2, 3 and 5 are for the purpose of illustrating environment only and form no part of the claimed design.

In a preferred embodiment the holder is useful in connection with supporting and/or housing a candle in a manner that facilitates the dispensing of an air treatment chemical, such as an insect repellent, from a substrate bearing the chemical.

1 Claim, 4 Drawing Sheets



US D771,846 S

Page 2

(56)

References Cited

U.S. PATENT DOCUMENTS

5,090,892 A 2/1992 Chuang
D519,322 S * 4/2006 Hutton D11/143
D531,452 S 11/2006 Toth

D553,308 S * 10/2007 Klein D30/199
D575,987 S * 9/2008 Williams D7/509
D633,229 S 2/2011 McWillis
2012/0148966 A1 6/2012 Ramaker et al.

* cited by examiner

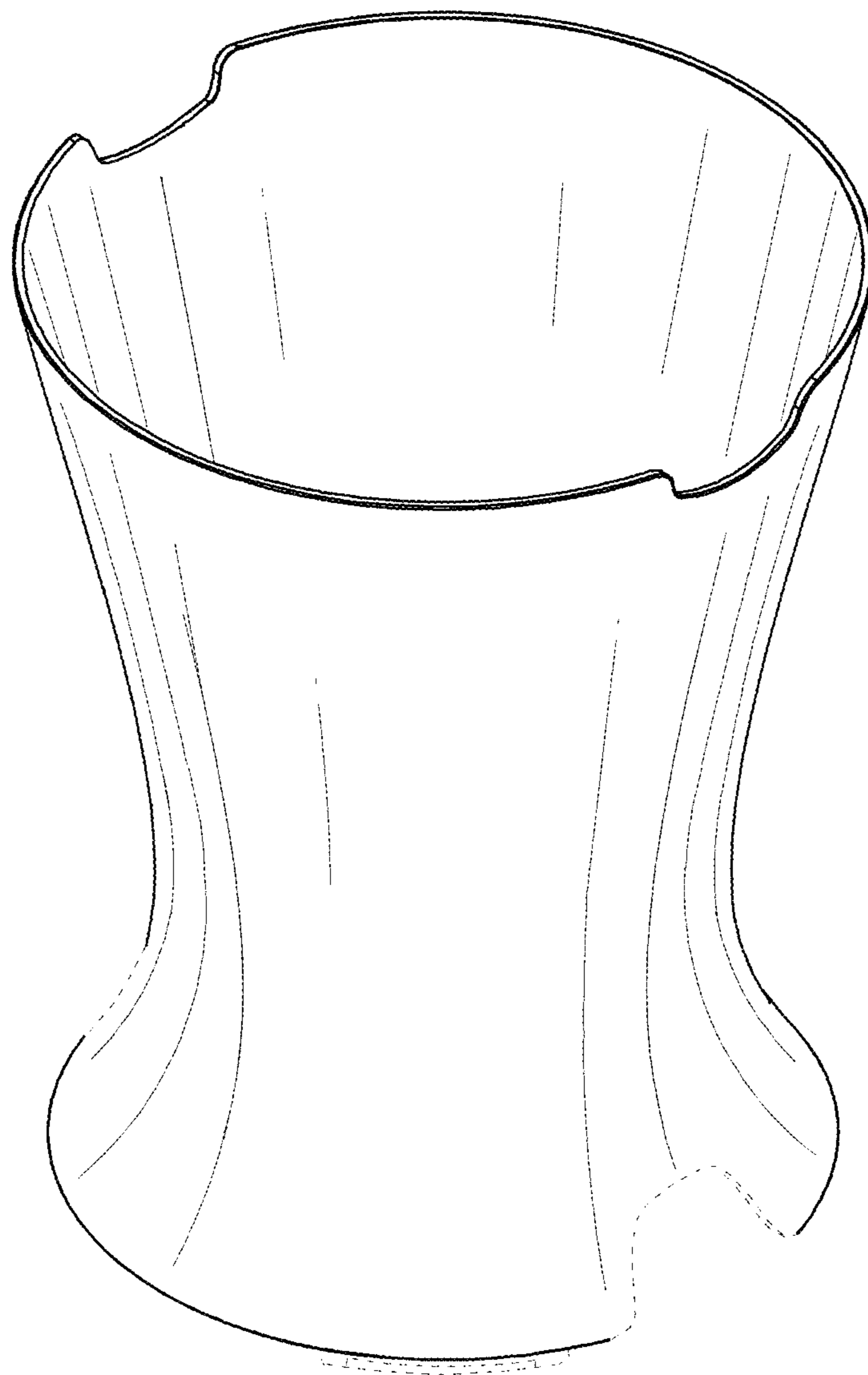


FIG. 1

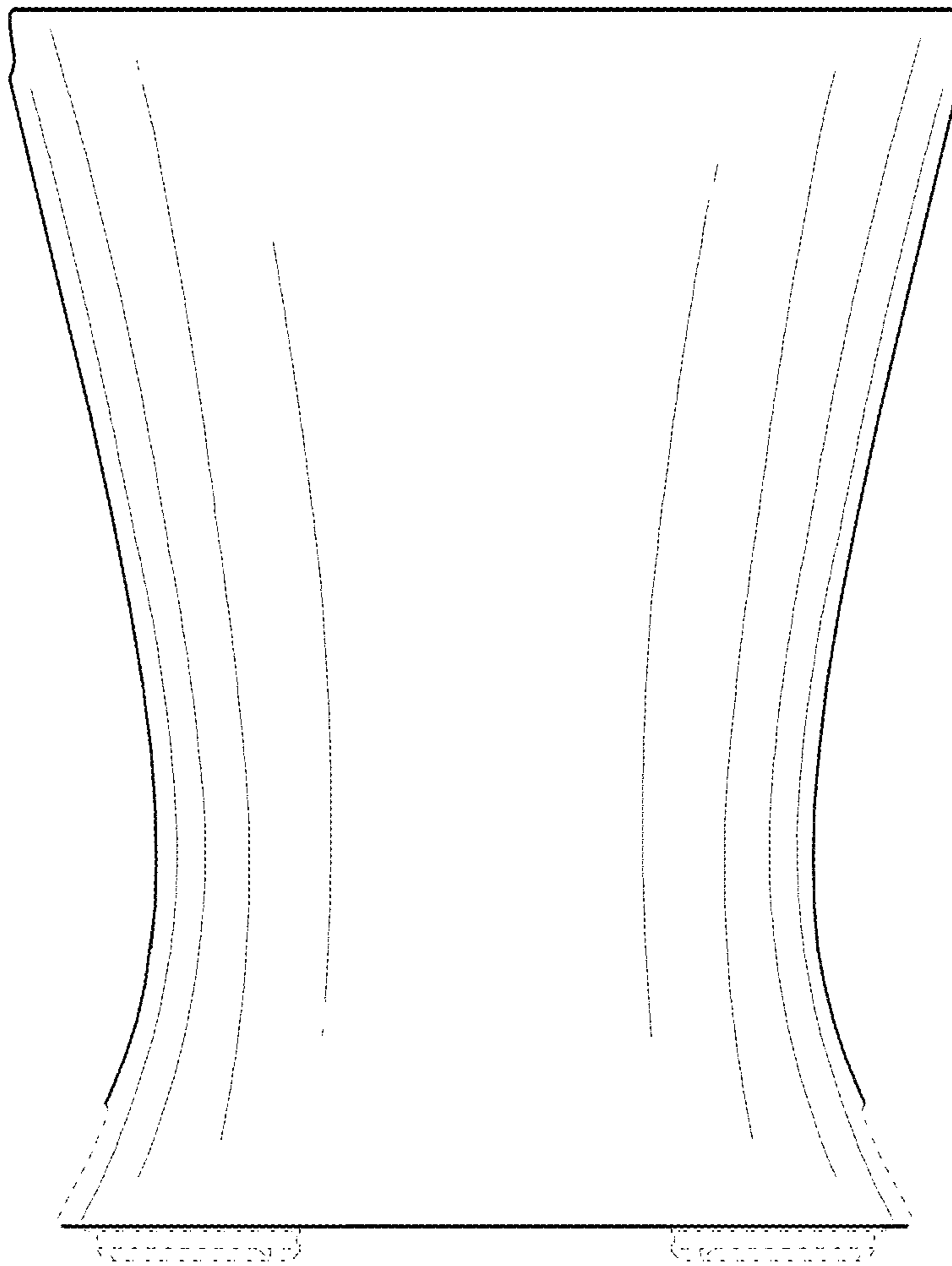


FIG. 2

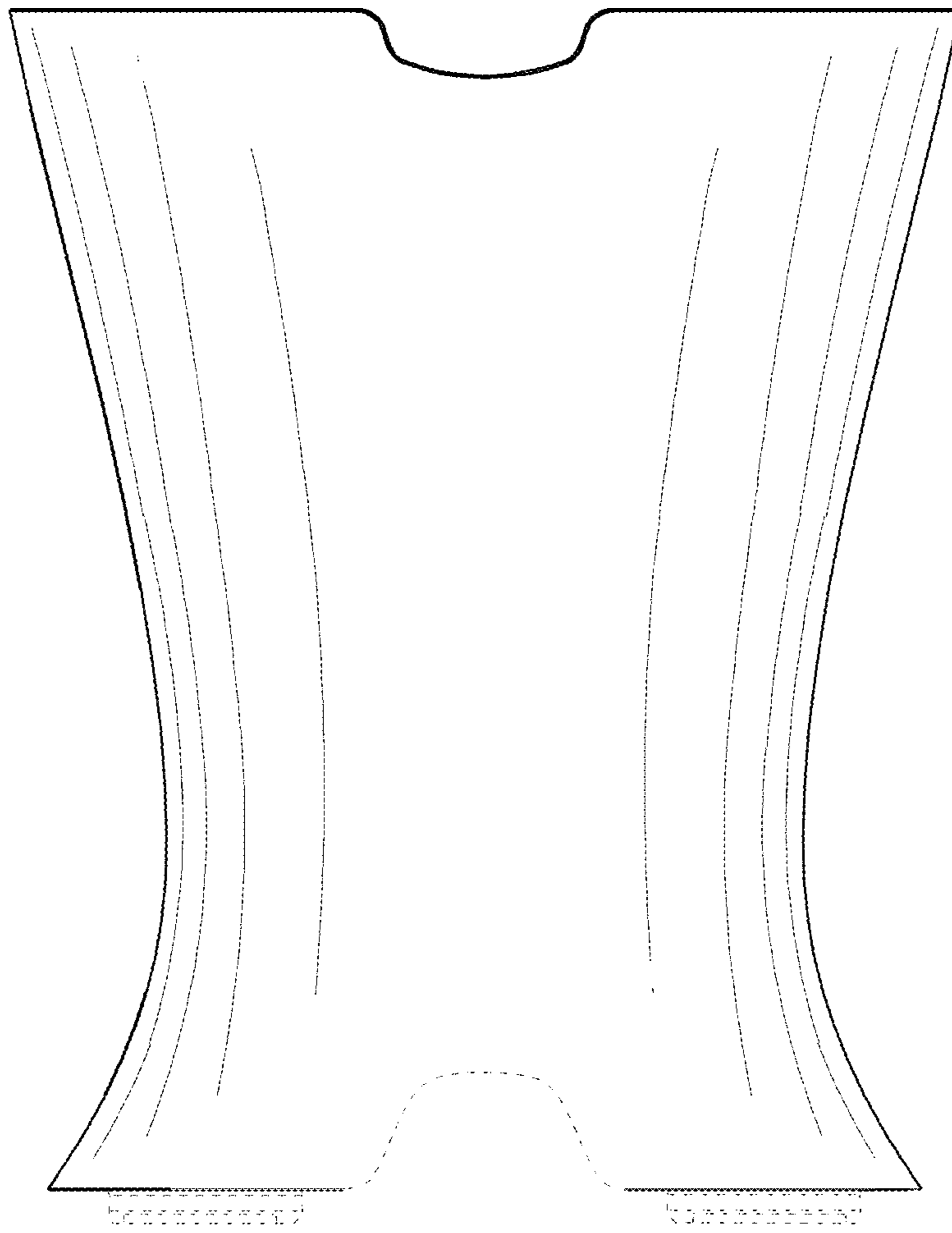


FIG. 3

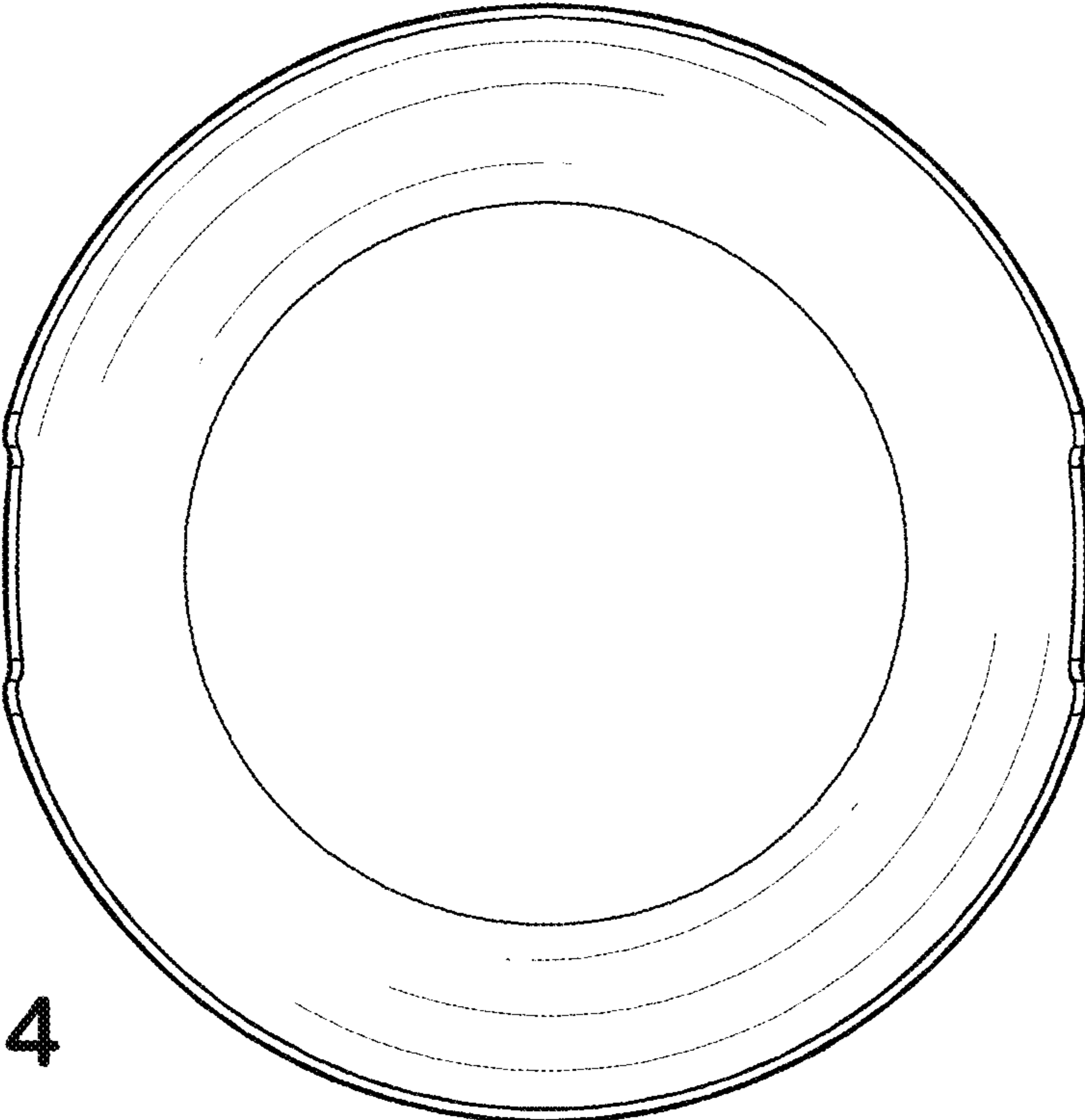


FIG. 4

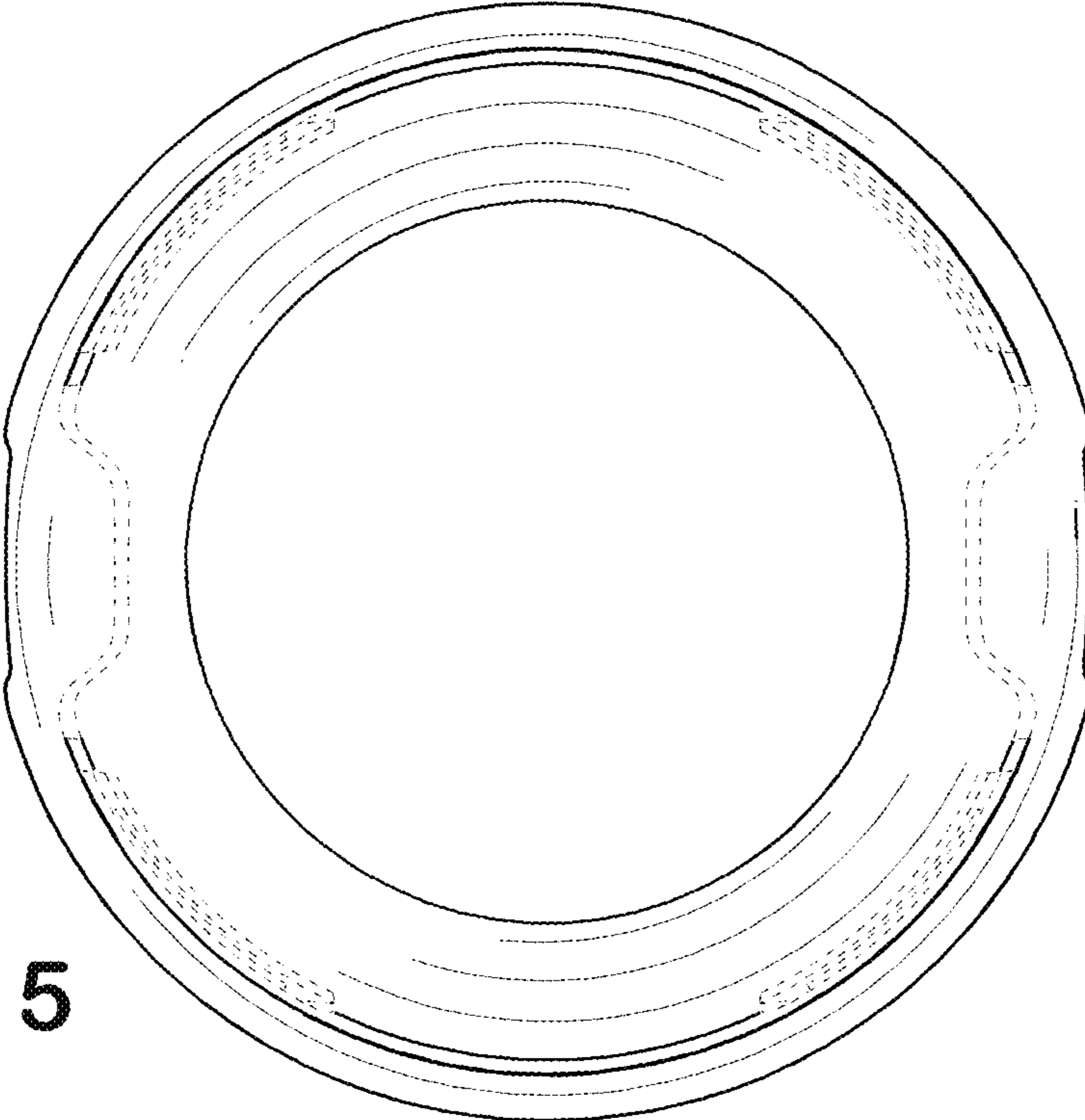


FIG. 5