



US00D771840S

(12) **United States Design Patent**
Hetherington et al.

(10) **Patent No.:** **US D771,840 S**

(45) **Date of Patent:** **** Nov. 15, 2016**

- (54) **WINDOW FRAME COMPONENT**
- (71) Applicant: **CMH Set and Finish, Inc.**, Maryville, TN (US)
- (72) Inventors: **Matthew Allen Hetherington**, Crossville, TN (US); **Robert John Kushner**, Bradenton, FL (US)
- (73) Assignee: **CMH Set and Finish, Inc.**, Maryville, TN (US)

D557,825 S	12/2007	Willman	
D608,906 S *	1/2010	Stephens	D25/60
D608,907 S	1/2010	Stephens	
D608,908 S	1/2010	Stephens	
D608,909 S	1/2010	Stephens	
D608,911 S	1/2010	Stephens	
D615,666 S	5/2010	Stephens	
D630,344 S	1/2011	Stephens	
D679,387 S *	4/2013	Morton	D25/124
D691,739 S *	10/2013	Wickland	D25/124
D713,556 S	9/2014	Stankay	
D729,948 S *	5/2015	Stankay	D25/124
D732,706 S *	6/2015	Campbell	D25/124
D735,894 S *	8/2015	Campbell	D25/124

(**) Term: **15 Years**

* cited by examiner

(21) Appl. No.: **29/541,765**

Primary Examiner — Cynthia Ramirez

(22) Filed: **Oct. 7, 2015**

Assistant Examiner — Gino Colan

(51) **LOC (10) Cl.** **25-01**

(74) *Attorney, Agent, or Firm* — Luedeka Neely Group, P.C.

(52) **U.S. Cl.**

USPC **D25/124**

(58) **Field of Classification Search**

USPC D25/119–125; 160/395, 368.1; 52/396.04, 396.08, 396.52, 273, 277, 52/278, 279, 282.3, 283, 255, 799.11, 52/800.1, 800.11, 62, 169.5, 281, 282.1, 52/287.1, 288.1, 716.2, 716.8, 717.01, 52/371, 254, 461, 465, 471, 472
 CPC E06B 1/02; E06B 1/04; E06B 1/16; E06B 1/36; E06B 1/52; E06B 3/22; E06B 3/24

See application file for complete search history.

(56) **References Cited**

U.S. PATENT DOCUMENTS

D430,310 S *	8/2000	Franson	D25/124
D454,212 S *	3/2002	Ballard	D25/124
D466,231 S *	11/2002	Ballard	D25/124
D493,541 S	7/2004	Franson	
D496,739 S	9/2004	Franson	
D552,763 S *	10/2007	Wickland	D25/124

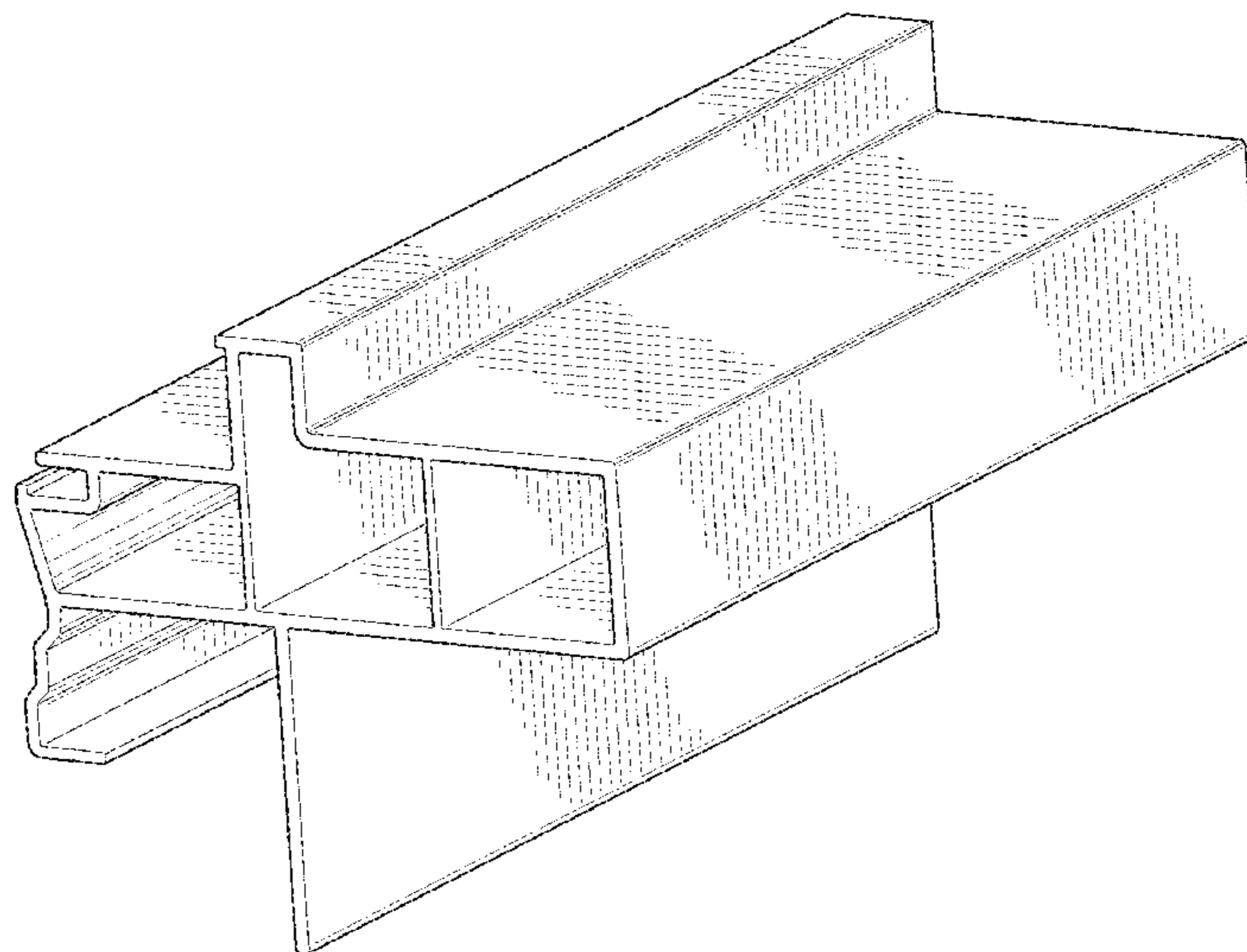
(57) **CLAIM**

The ornamental design for a window frame component, as shown and described.

DESCRIPTION

FIG. 1 is a perspective view of a window frame component of our new design.
 FIG. 2 is a first end view of the window frame component of FIG. 1.
 FIG. 3 is a second end view of the window frame component of FIG. 1.
 FIG. 4 is a top plan view of the window frame component of FIG. 1.
 FIG. 5 is a bottom plan view of the window frame component of FIG. 1.
 FIG. 6 is a first side elevation view of the window frame component of FIG. 1; and,
 FIG. 7 is a second side elevation view of the window frame component of FIG. 1.

1 Claim, 6 Drawing Sheets



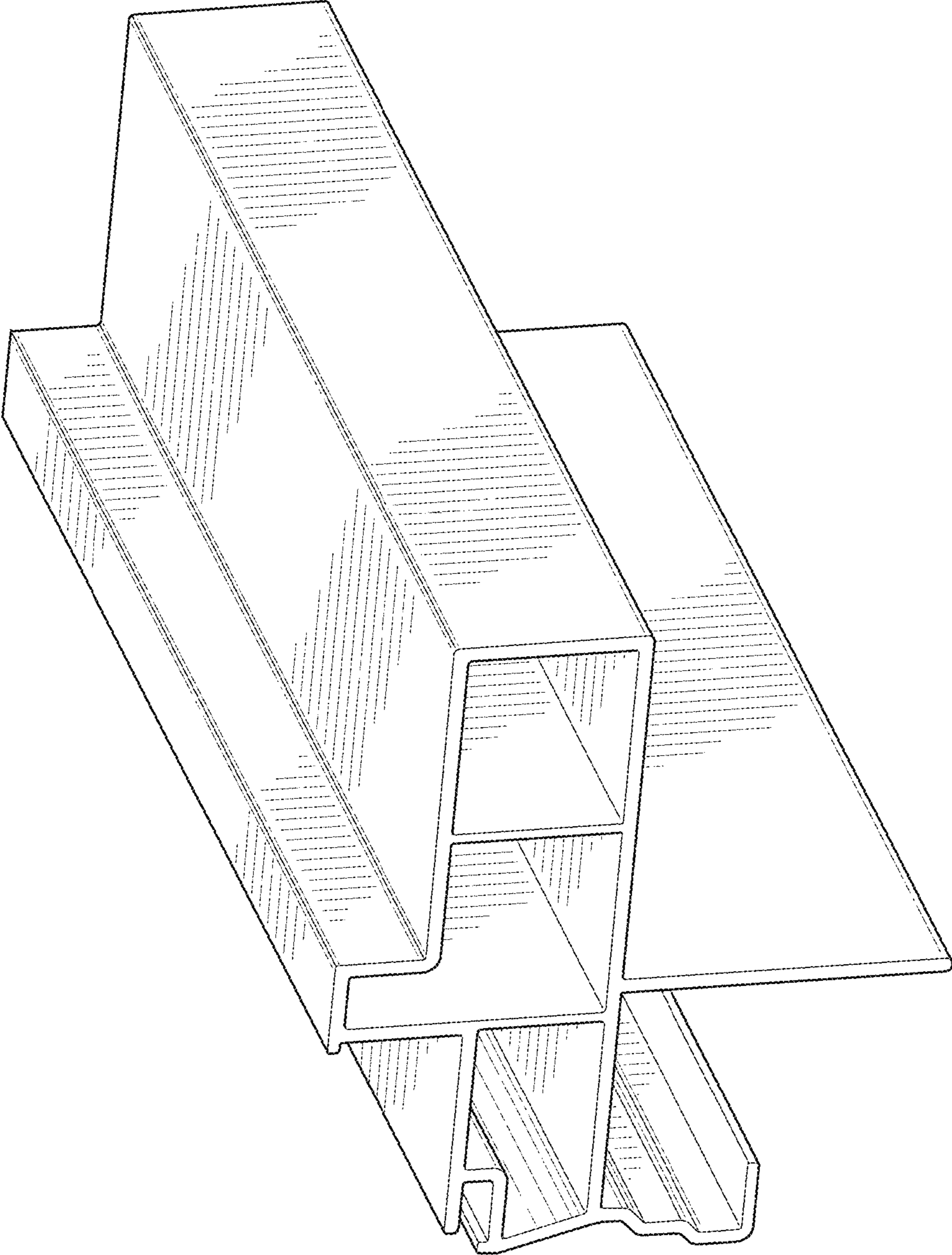


FIG. 1

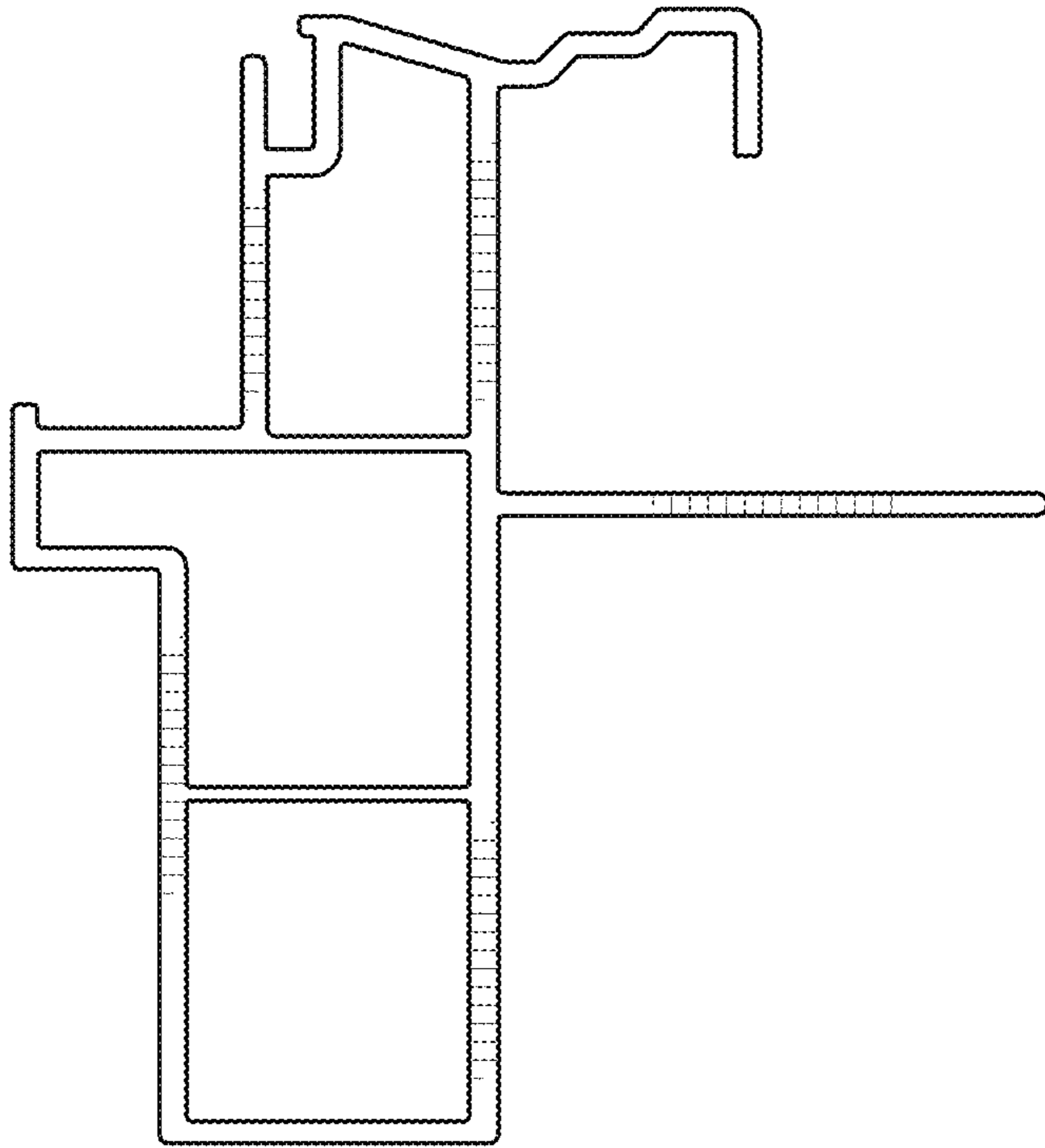


FIG. 2

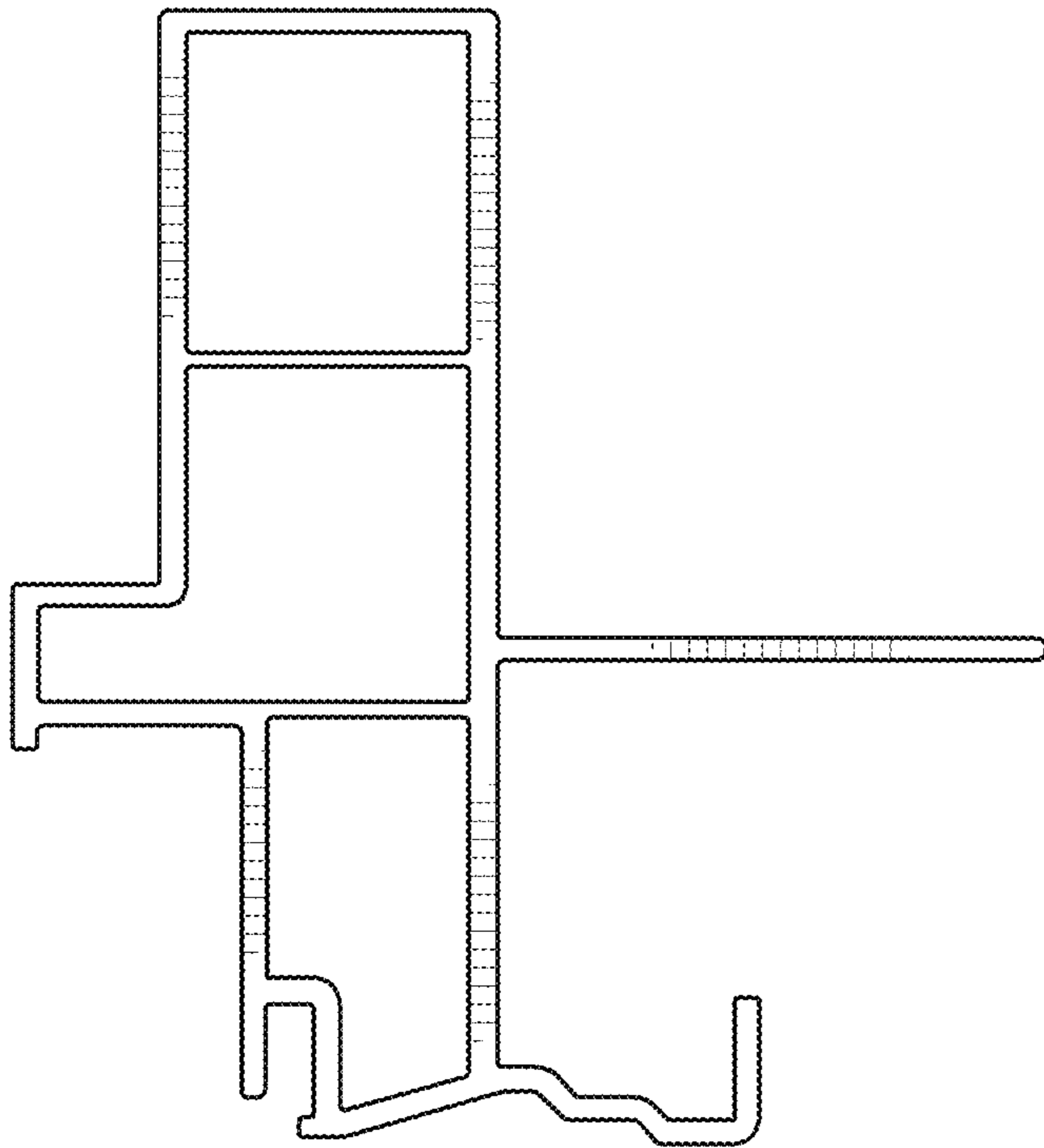


FIG. 3

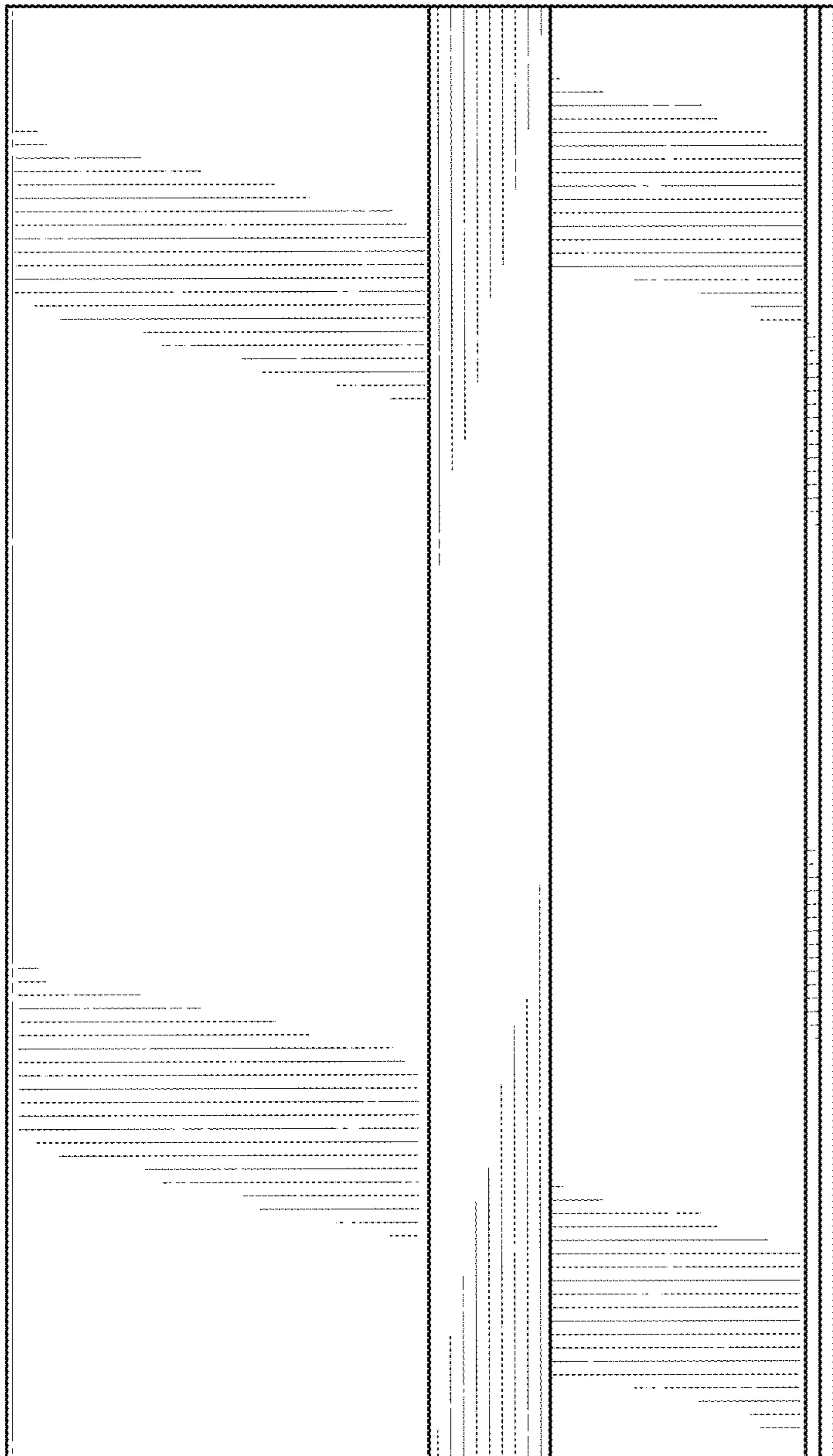


FIG. 4

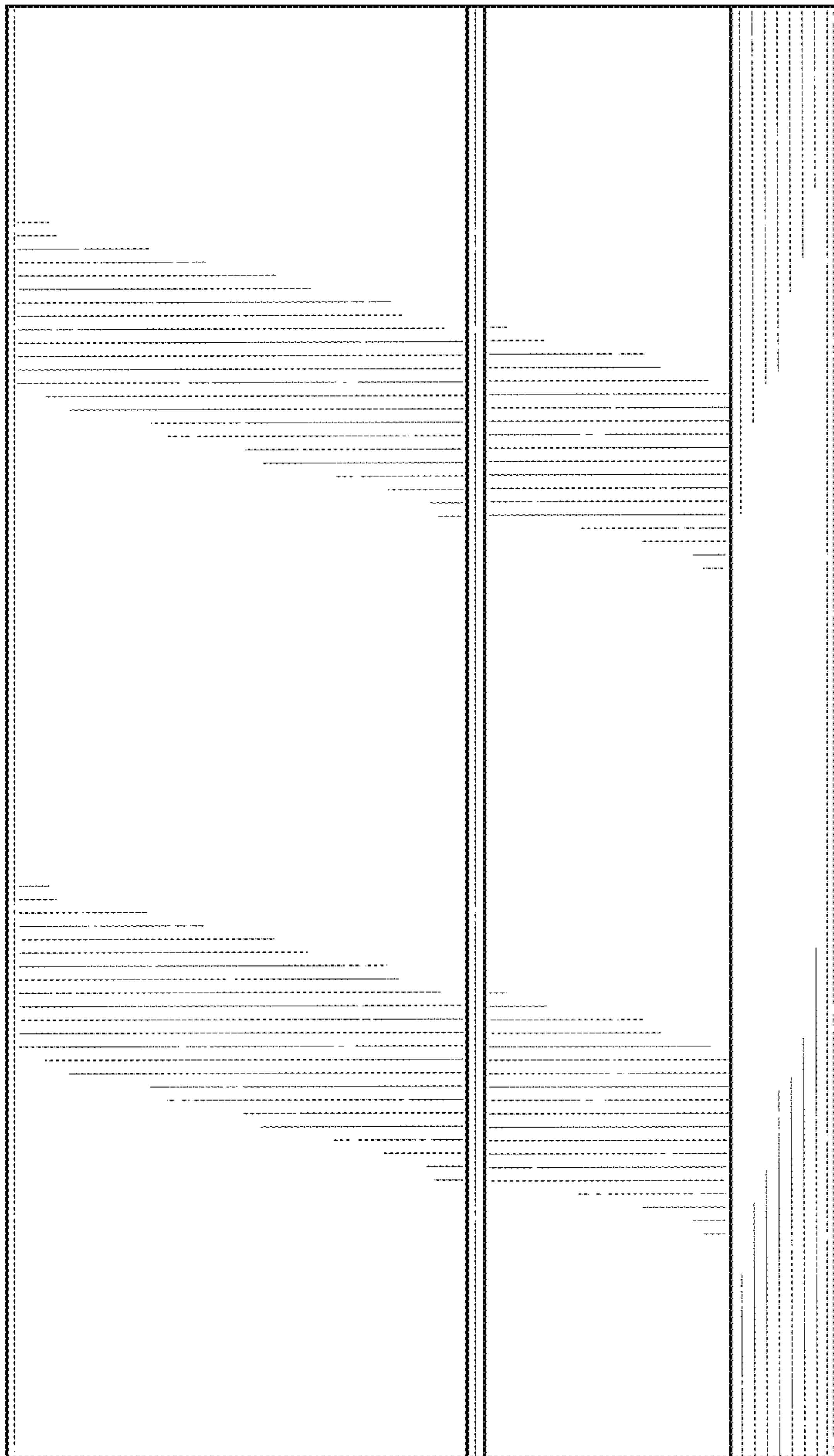


FIG. 5

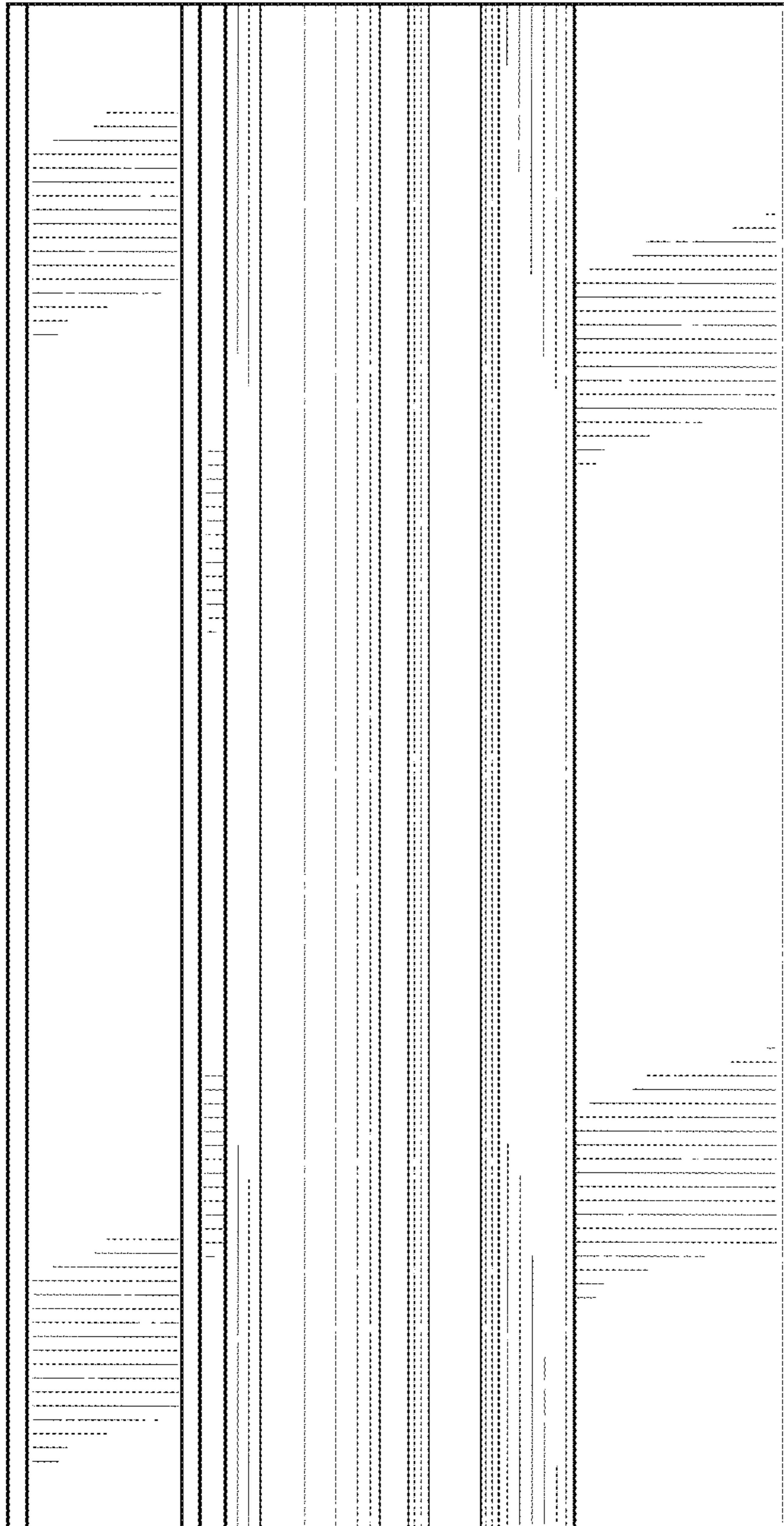


FIG. 6

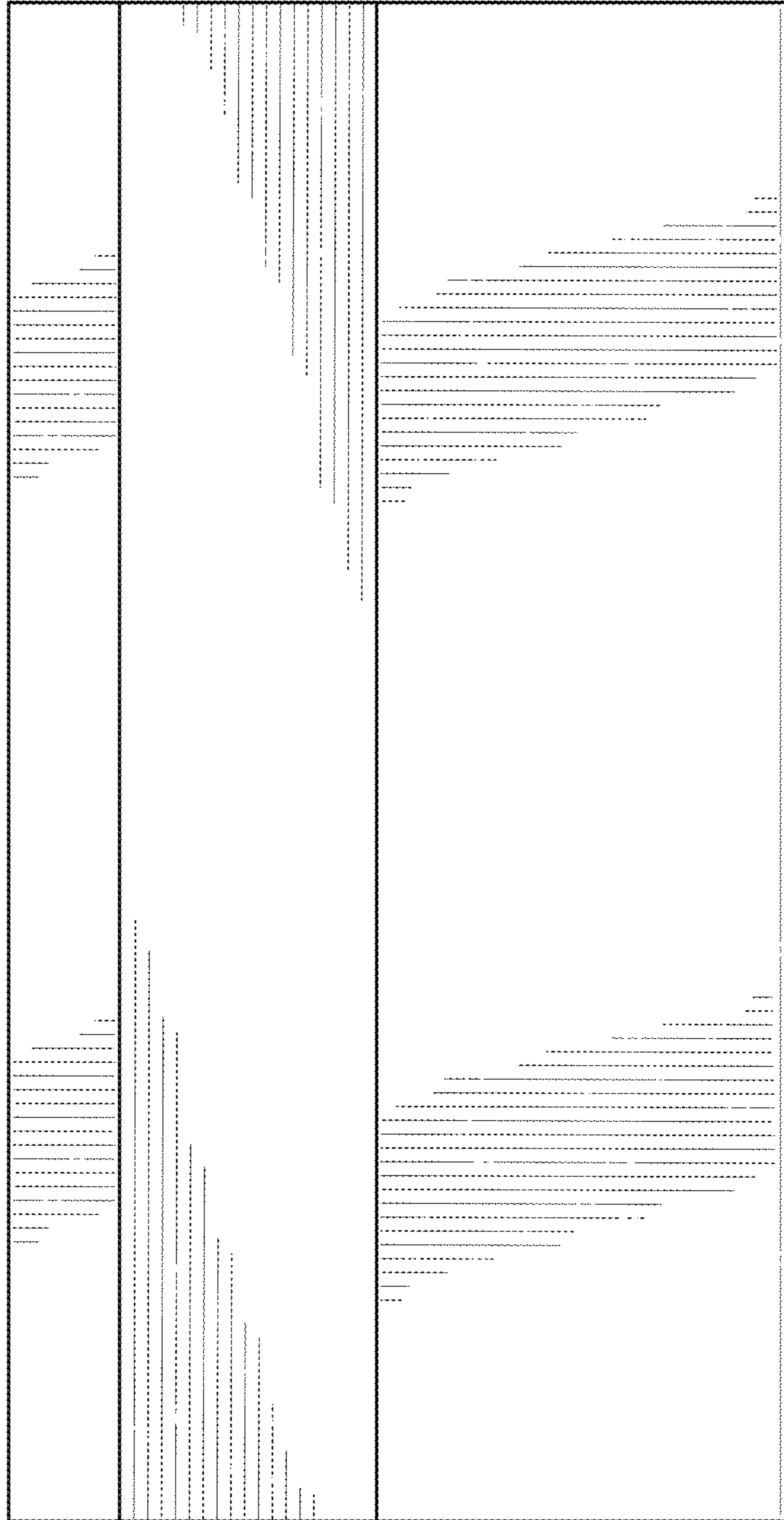


FIG. 7