



US00D771838S

(12) **United States Design Patent** (10) **Patent No.:** **US D771,838 S**
Mumford, Sr. (45) **Date of Patent:** **** Nov. 15, 2016**

- (54) **TILE TRIM**
- (71) Applicant: **Drew Donald Mumford, Sr.**, Newport Coast, CA (US)
- (72) Inventor: **Drew Donald Mumford, Sr.**, Newport Coast, CA (US)
- (73) Assignee: **Columbia Aluminum Products, LLC**, City of Commerce, CA (US)
- (**) Term: **15 Years**
- (21) Appl. No.: **29/538,202**
- (22) Filed: **Sep. 1, 2015**

D742,546 S * 11/2015 Singh D25/119
 D742,547 S * 11/2015 Singh D25/119
 D750,806 S * 3/2016 Singh D25/119
 2001/0017015 A1 8/2001 Schluter

* cited by examiner

Primary Examiner — Cynthia Ramirez
Assistant Examiner — Gino Colan
 (74) *Attorney, Agent, or Firm* — Hankin Patent Law, APC; Jimmy Sauz; Kevin Schraven

(57) **CLAIM**
 The ornamental design for a tile trim, as shown and described.

DESCRIPTION

FIG. 1 is a top perspective view of a first embodiment of a tile trim, showing my new design.
 FIG. 2 is a front elevational view thereof.
 FIG. 3 is a rear elevational view thereof.
 FIG. 4 is a left side elevational view thereof.
 FIG. 5 is a right side elevational view thereof.
 FIG. 6 is a top plan view thereof.
 FIG. 7 is a bottom plan view thereof.
 FIG. 8 is a top perspective view of a second embodiment of a tile trim, showing my new design.
 FIG. 9 is a front elevational view thereof.
 FIG. 10 is a rear elevational view thereof.
 FIG. 11 is a left side elevational view thereof.
 FIG. 12 is a right side elevational view thereof.
 FIG. 13 is a top plan view thereof; and,
 FIG. 14 is a bottom plan view thereof.
 The broken lines showing holes in the tile trim are for the purpose of illustrating environmental structure and unclaimed subject matter and form no part of the claimed design.
 The tile trim is shown with a symbolic break in its length. The appearance of any portion of the article between the break lines forms no part of the claimed design.

Related U.S. Application Data

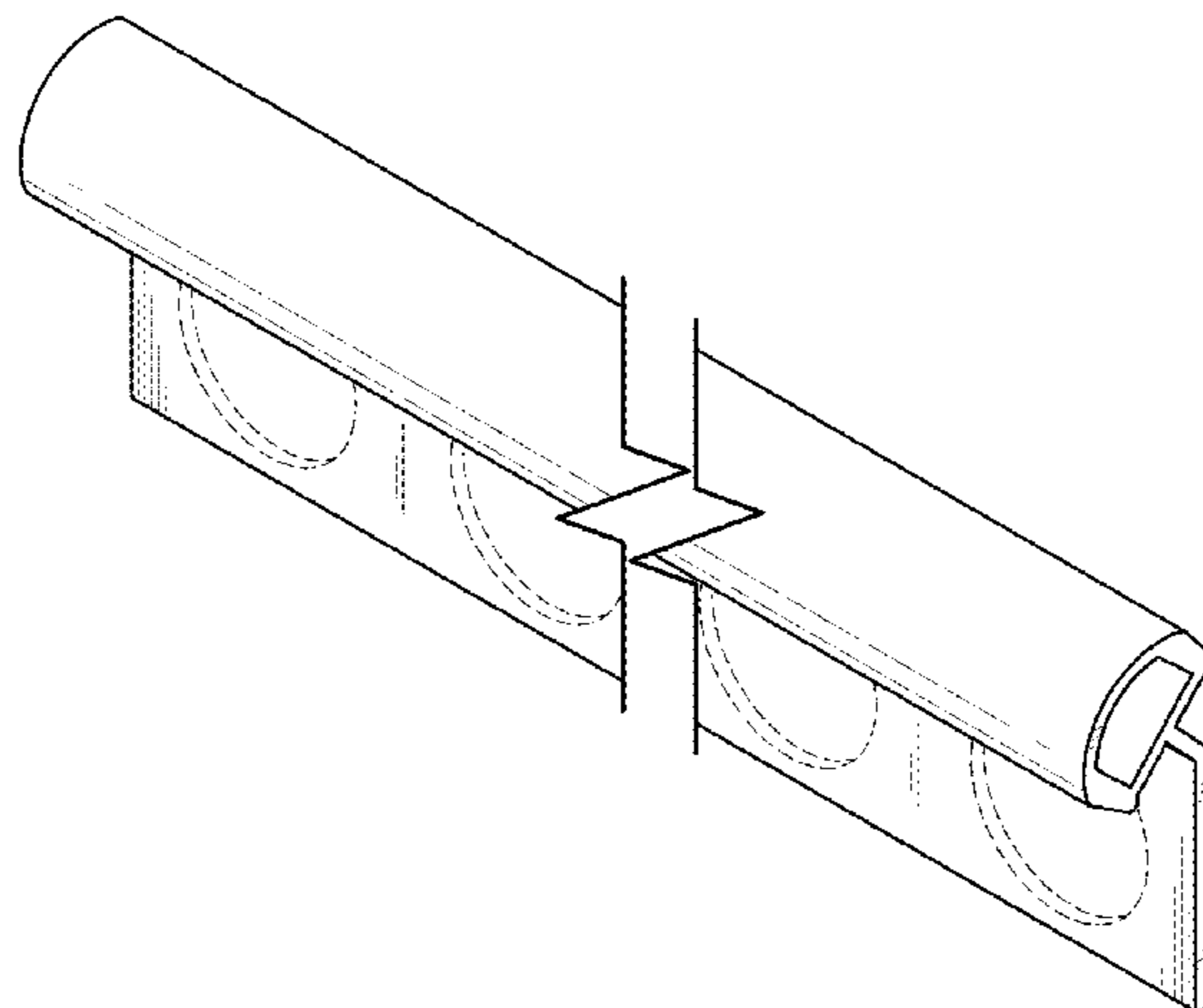
- (63) Continuation-in-part of application No. 29/532,557, filed on Jul. 8, 2015.
- (51) **LOC (10) Cl.** **25-01**
- (52) **U.S. Cl.**
USPC **D25/119**
- (58) **Field of Classification Search**
USPC D25/119, 69, 125, 136, 123, 35, 61, D25/121; 52/506.06, 506.07, 716.1, 287.1, 52/717.05, 717.06
CPC ... E04F 19/062; E04F 19/022; E04F 19/061; E04F 19/064; E04F 19/065; E04B 9/008
See application file for complete search history.

(56) **References Cited**

U.S. PATENT DOCUMENTS

D275,036 S * 8/1984 Lloyd-Jones D25/119
 6,238,773 B1 5/2001 Schluter
 6,357,192 B1 3/2002 Schluter
 D513,535 S * 1/2006 Fischer D25/119
 D529,630 S * 10/2006 Zarb D25/119
 D563,567 S * 3/2008 Fischer D25/119
 D711,554 S * 8/2014 Singh D25/119
 D711,556 S * 8/2014 Singh D25/119

1 Claim, 6 Drawing Sheets



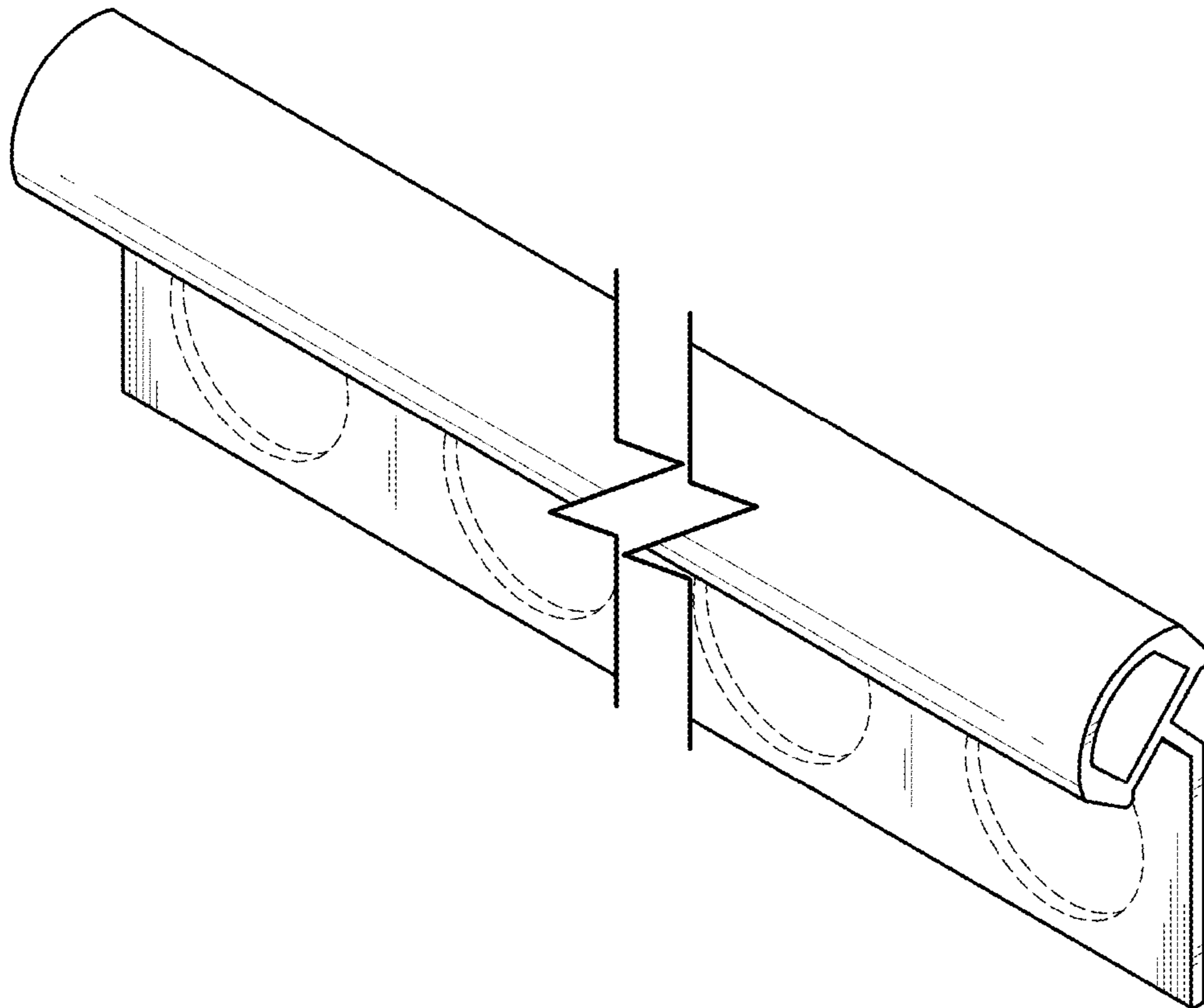
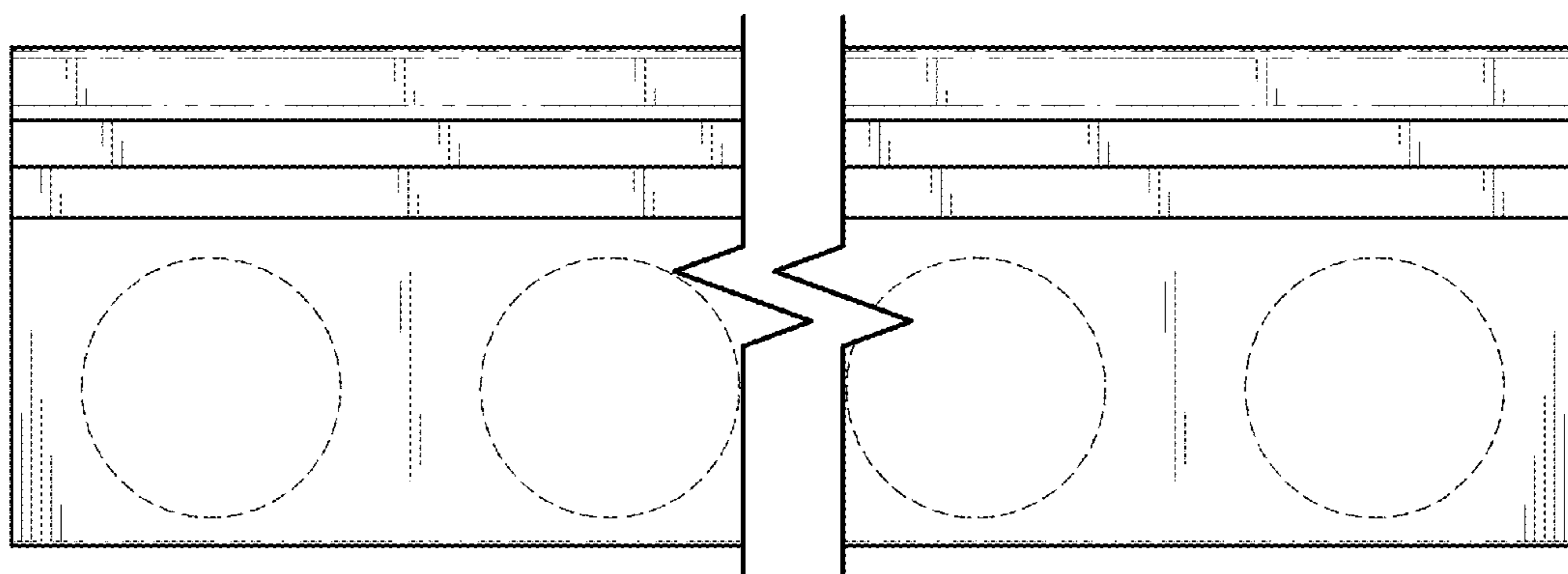
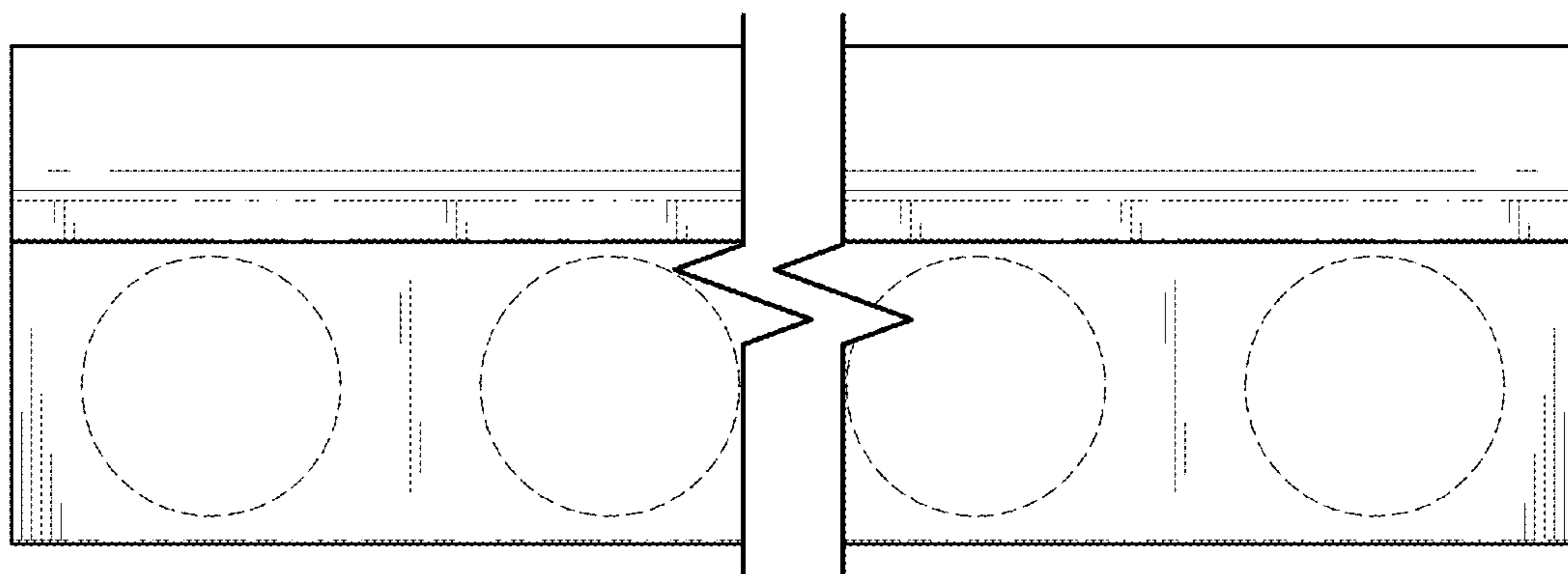
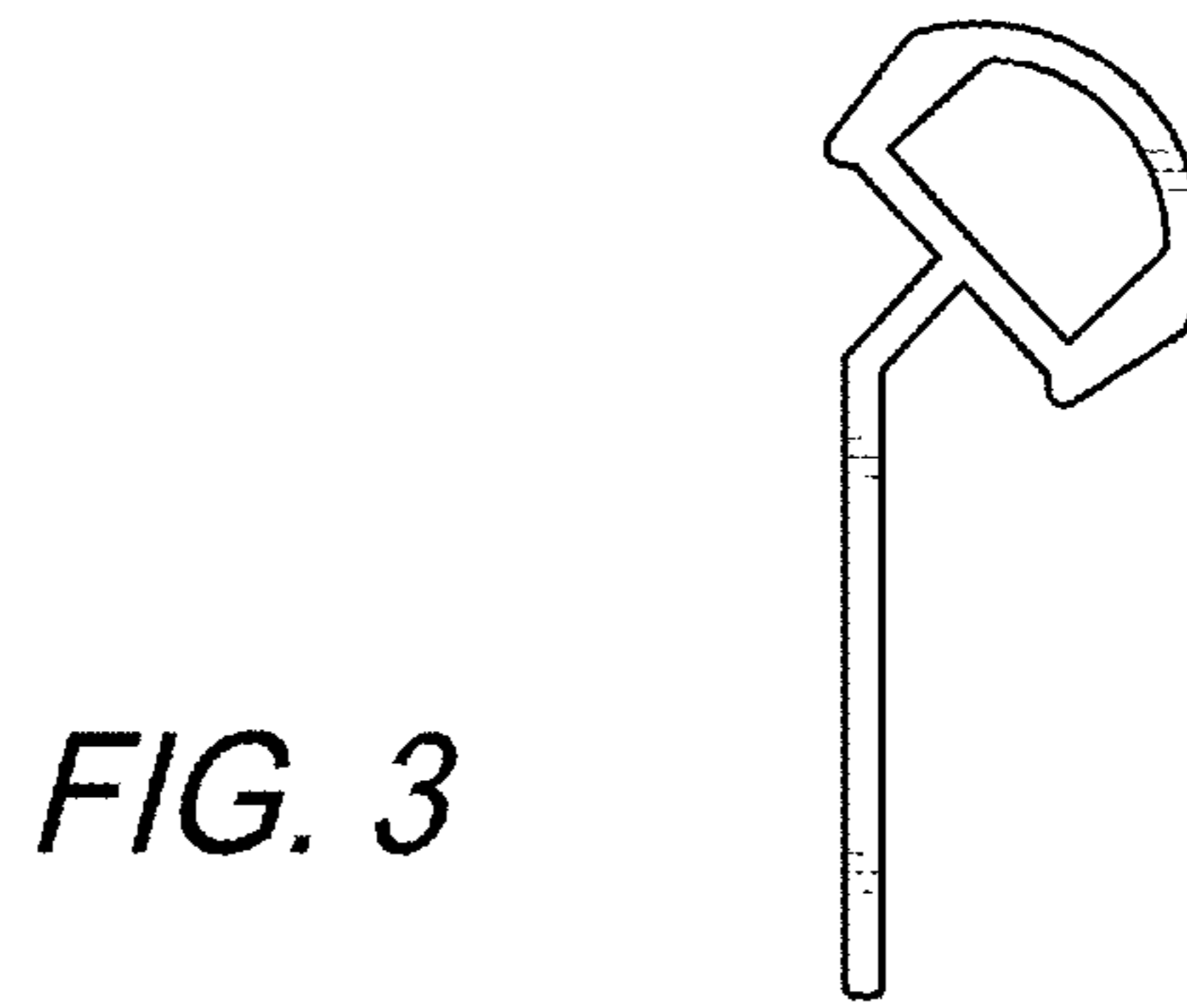
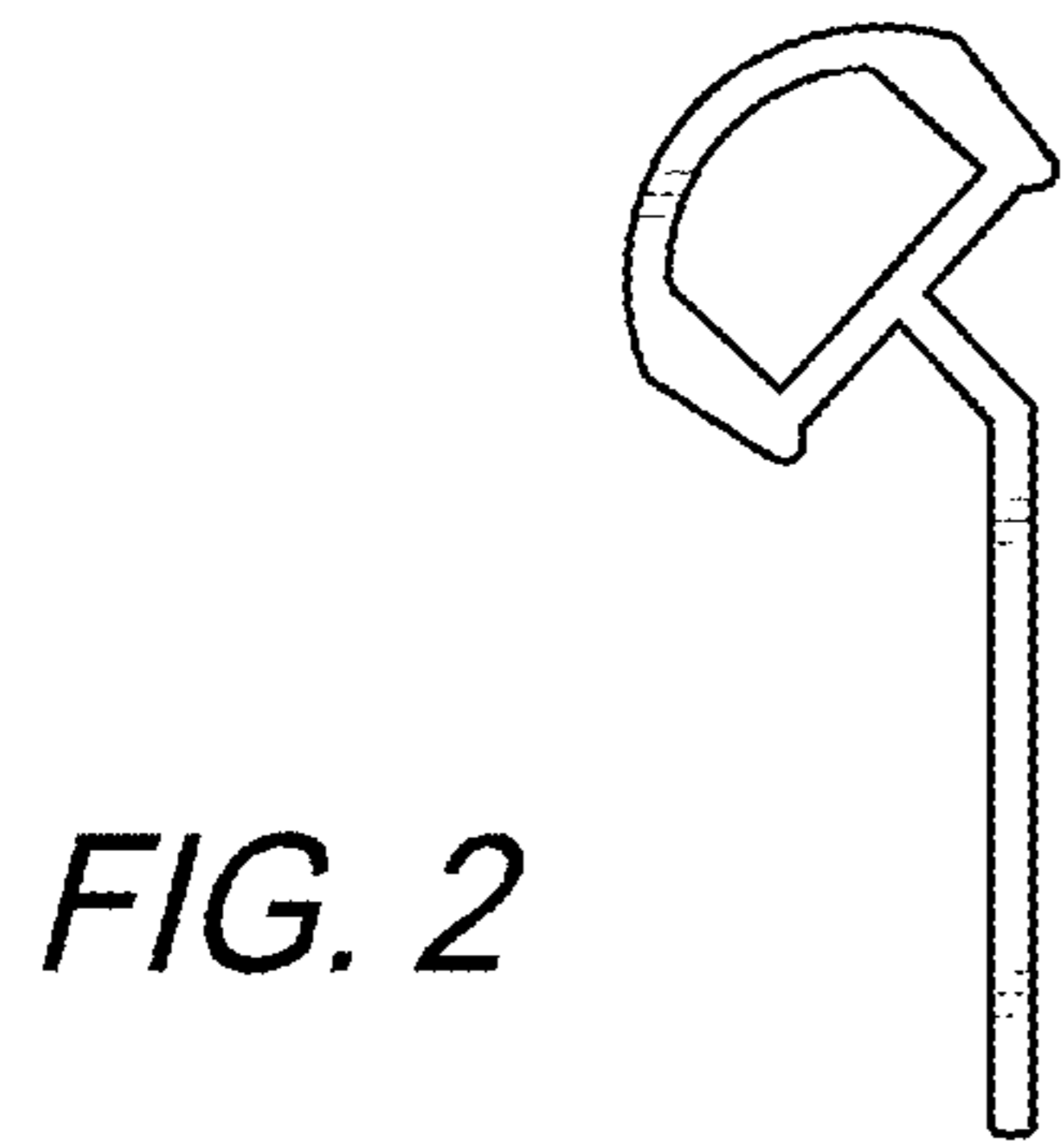


FIG. 1



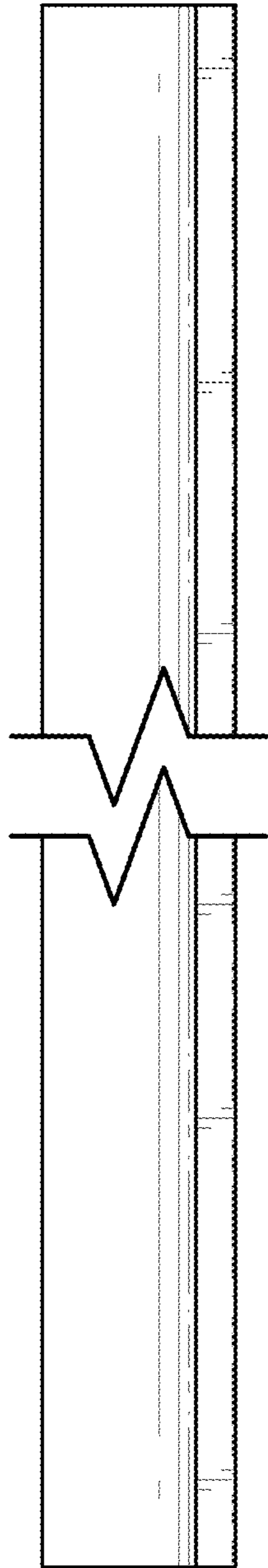


FIG. 6

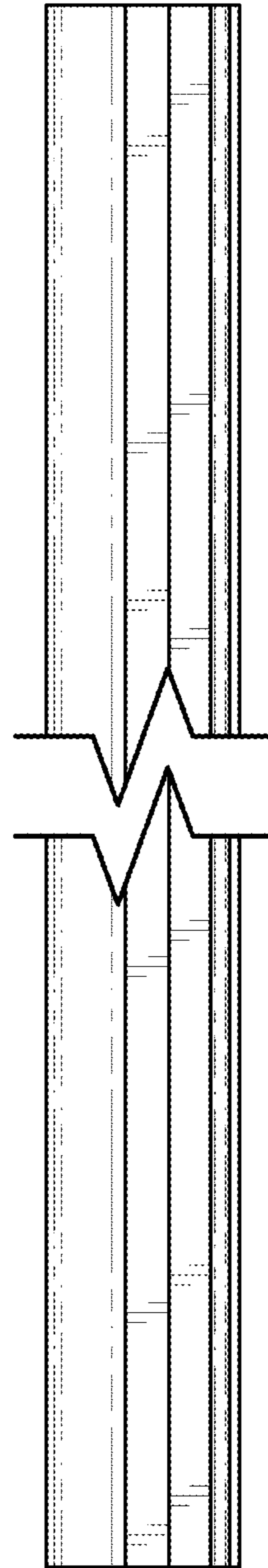


FIG. 7

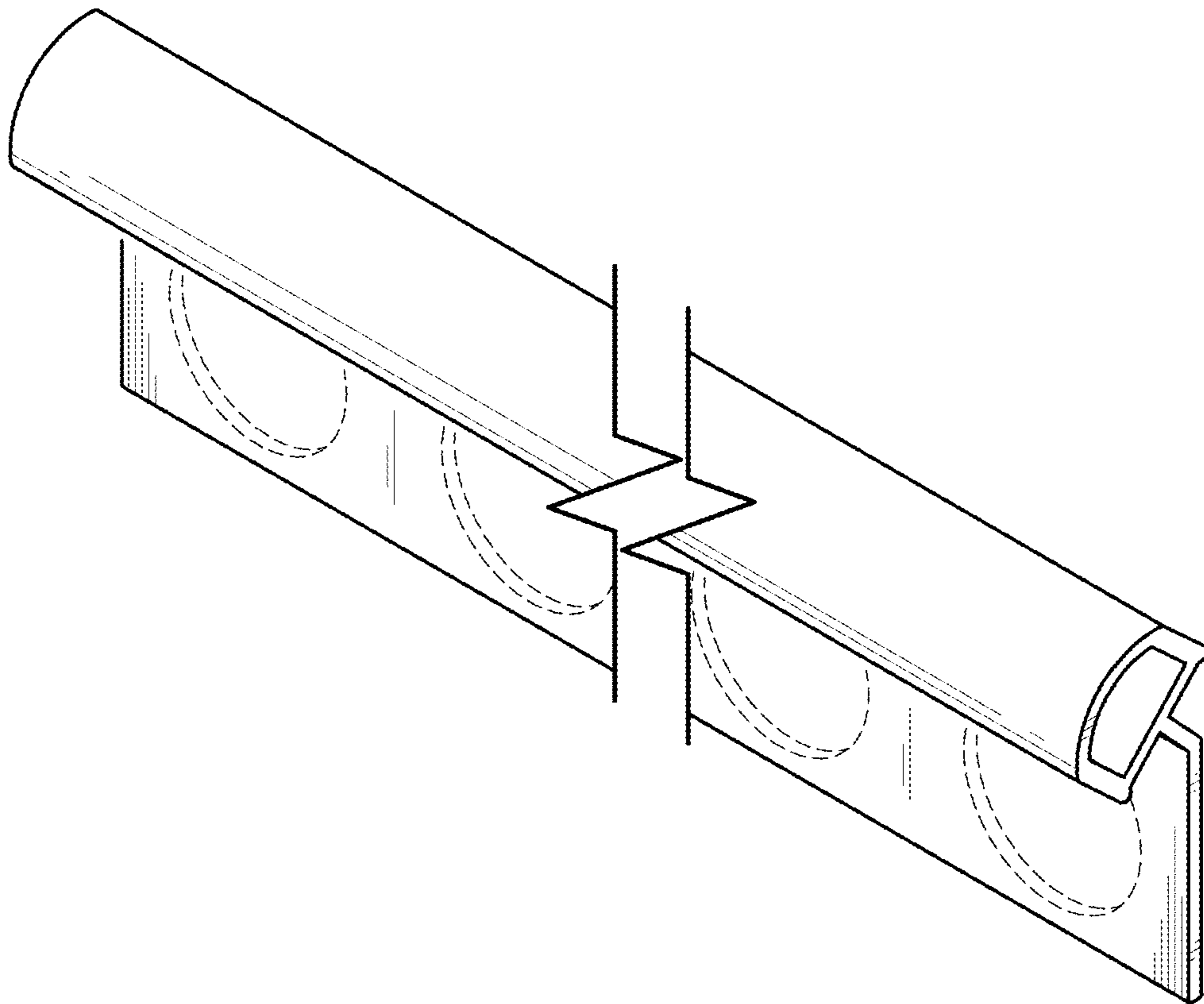
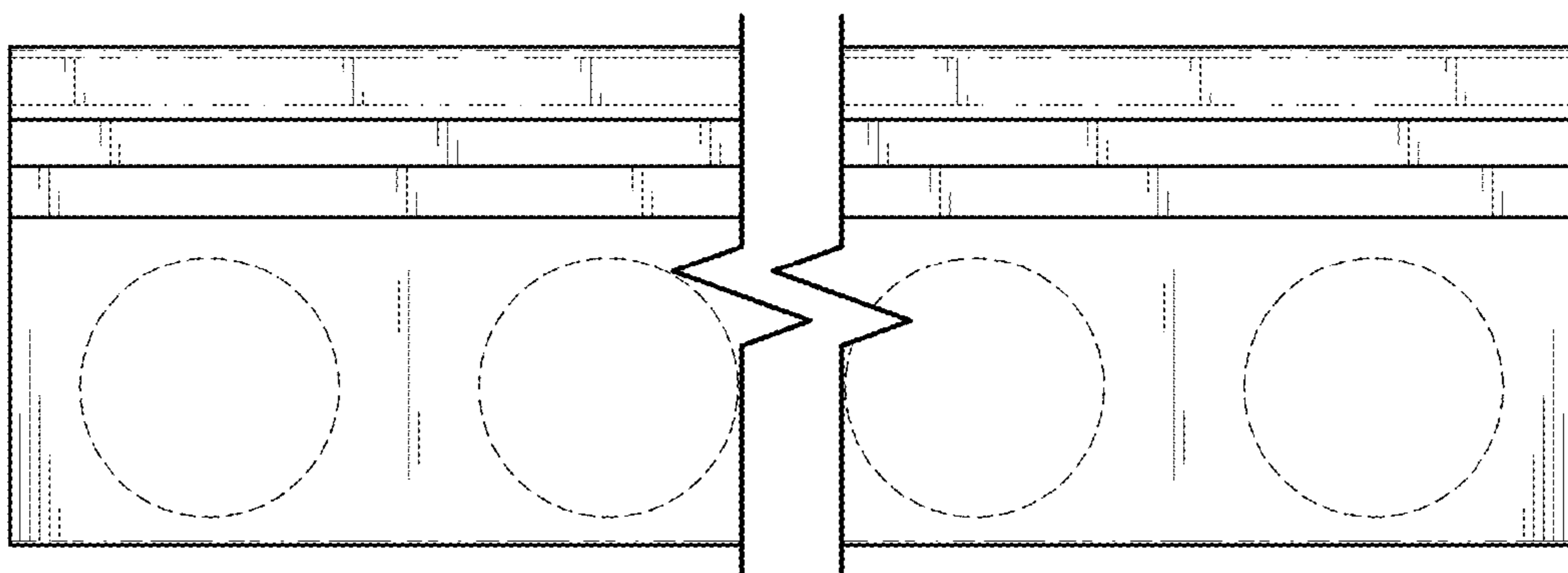
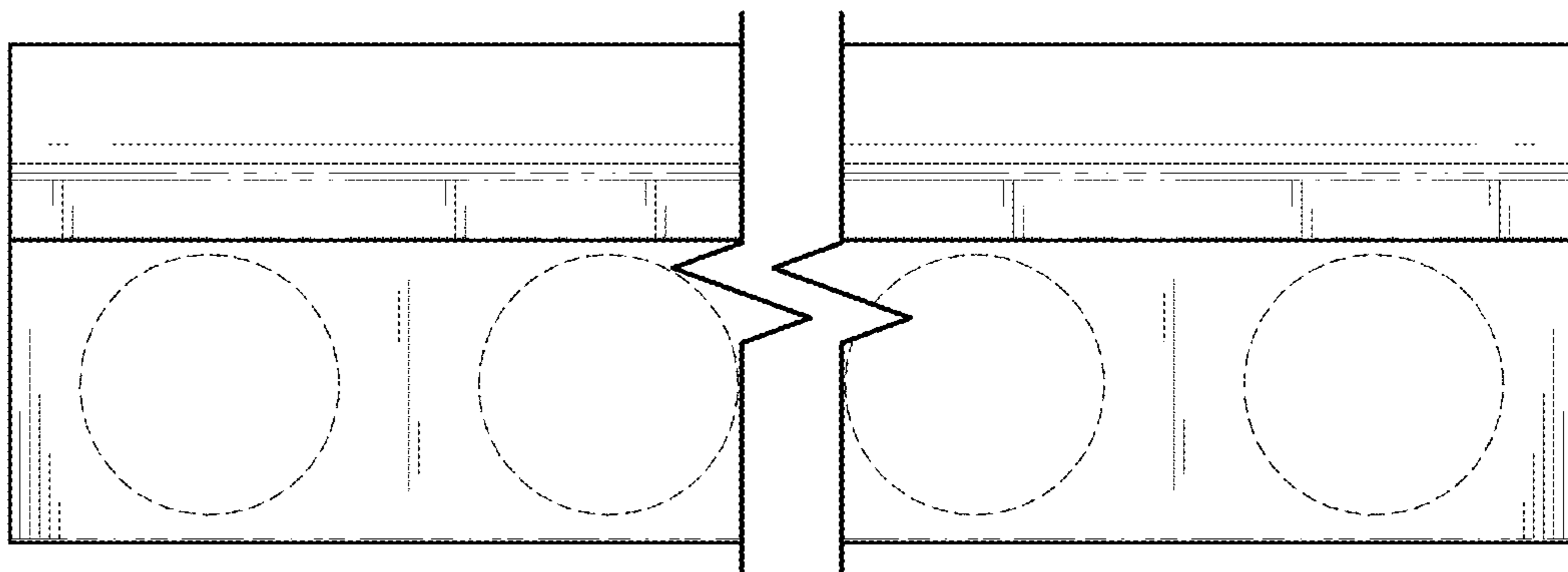
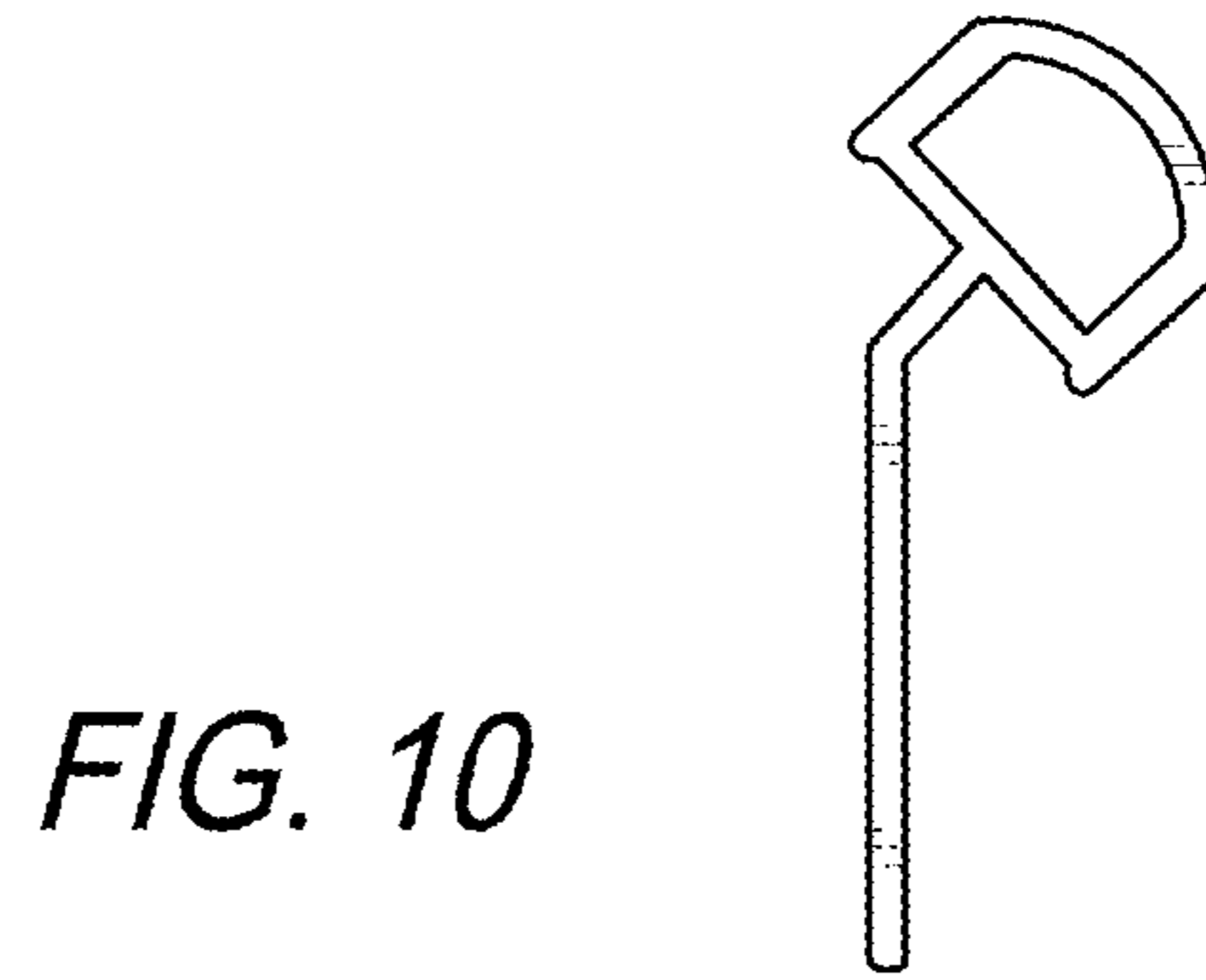
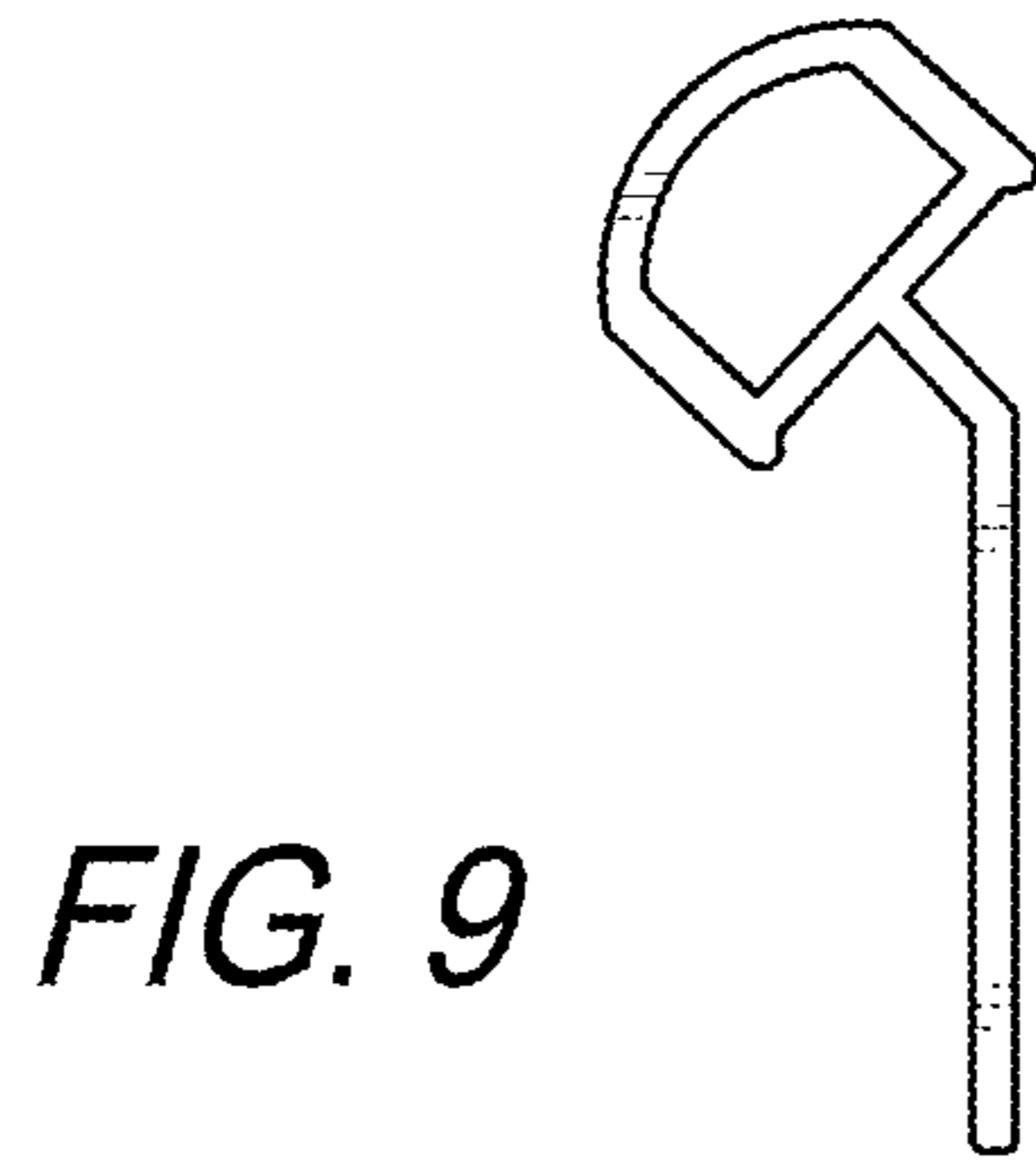


FIG. 8



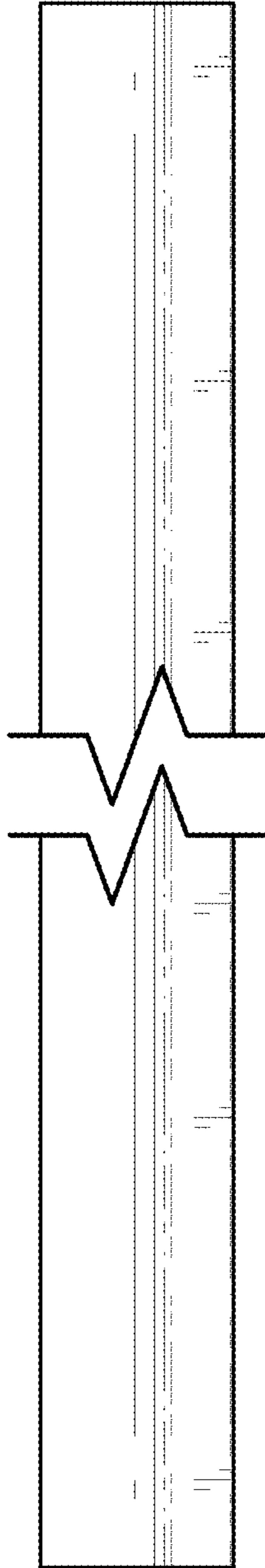


FIG. 13

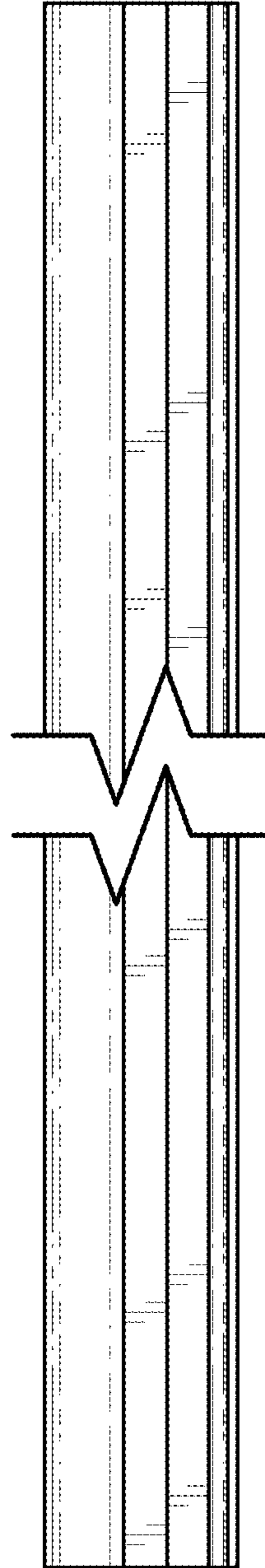


FIG. 14