



US00D771835S

(12) **United States Design Patent** (10) **Patent No.:** **US D771,835 S**  
**Bottin** (45) **Date of Patent:** **\*\* Nov. 15, 2016**

(54) **MODULAR BUILDING UNIT**  
(71) Applicant: **Hervé Bottin**, La Baule (FR)  
(72) Inventor: **Hervé Bottin**, La Baule (FR)  
(73) Assignee: **WILLIAMS SCOTSMAN, INC.**,  
Baltimore, MD (US)  
(\*\*) Term: **14 Years**  
(21) Appl. No.: **29/512,187**  
(22) Filed: **Dec. 17, 2014**  
(51) **LOC (10) Cl.** ..... **25-03**  
(52) **U.S. Cl.**  
USPC ..... **D25/33**  
(58) **Field of Classification Search**  
USPC ..... D6/657, 661, 661.3, 672-674, 686;  
D14/900, 902; D25/1, 2, 13, 15-20,  
D25/22, 24, 25, 31-33  
CPC ..... A01G 9/14; A01M 31/025; E01F 5/005;  
E04B 1/342; E04B 1/343; E04B 1/348;  
E04H 1/02; E04H 1/06; E04H 1/12; E04H  
1/1222; E04H 1/1244; E04H 1/1266; E04H  
1/1272; E04H 1/14; E04H 3/16; E04H 4/00;  
E04H 4/148; E02D 17/04  
See application file for complete search history.

(56) **References Cited**  
U.S. PATENT DOCUMENTS  
D233,519 S \* 11/1974 Chen et al. .... D25/33  
4,102,091 A \* 7/1978 Farge ..... E04B 1/34315  
52/220.2  
D339,870 S \* 9/1993 Carlin ..... D25/1  
6,016,634 A \* 1/2000 Sayer ..... E04B 1/2403  
312/265.1  
6,467,221 B1 \* 10/2002 Bigelow ..... B64D 11/00  
244/171.9

D502,547 S \* 3/2005 Hawes ..... D25/33  
D631,559 S \* 1/2011 Gibson ..... D25/33  
D727,531 S \* 4/2015 Gill ..... D25/22  
9,003,716 B1 \* 4/2015 Gill ..... E04H 1/12  
52/204.53  
2011/0162293 A1 \* 7/2011 Levy ..... E04B 1/3483  
52/79.9  
2014/0013678 A1 \* 1/2014 Deverini ..... B29C 44/1233  
52/79.1  
2014/0223840 A1 \* 8/2014 Wheeler ..... E04B 1/343  
52/79.9  
2014/0318036 A1 \* 10/2014 Eom ..... E02D 27/12  
52/79.1

\* cited by examiner

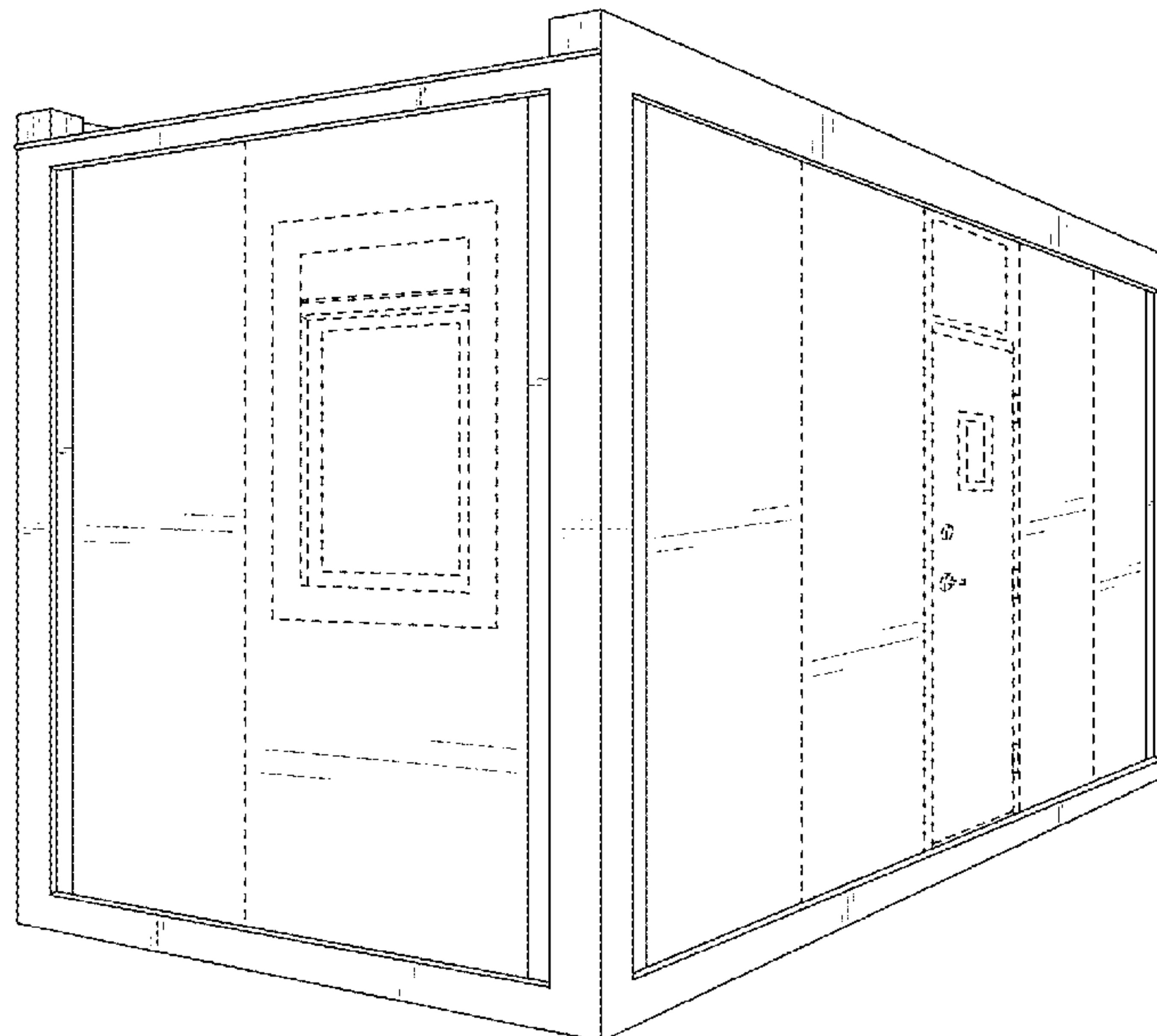
*Primary Examiner* — Eric Goodman  
*Assistant Examiner* — Clare Ann Gannon  
(74) *Attorney, Agent, or Firm* — Whiteford, Taylor &  
Preston, LLP; Gregory M. Stone

(57) **CLAIM**  
The ornamental design for a modular building unit, as shown  
and described.

**DESCRIPTION**

FIG. 1 is a perspective view of a modular building unit  
showing the new design;  
FIG. 2 is a front view thereof;  
FIG. 3 is a back view thereof;  
FIG. 4 is a left side view thereof;  
FIG. 5 is a right side view thereof;  
FIG. 6 is a top plan view thereof;  
FIG. 7 is a bottom plan view thereof; and,  
FIG. 8 is a top perspective view thereof.  
The broken lines in the Figures are included for the purpose  
of illustrating environment and form no part of the claimed  
design.

**1 Claim, 8 Drawing Sheets**



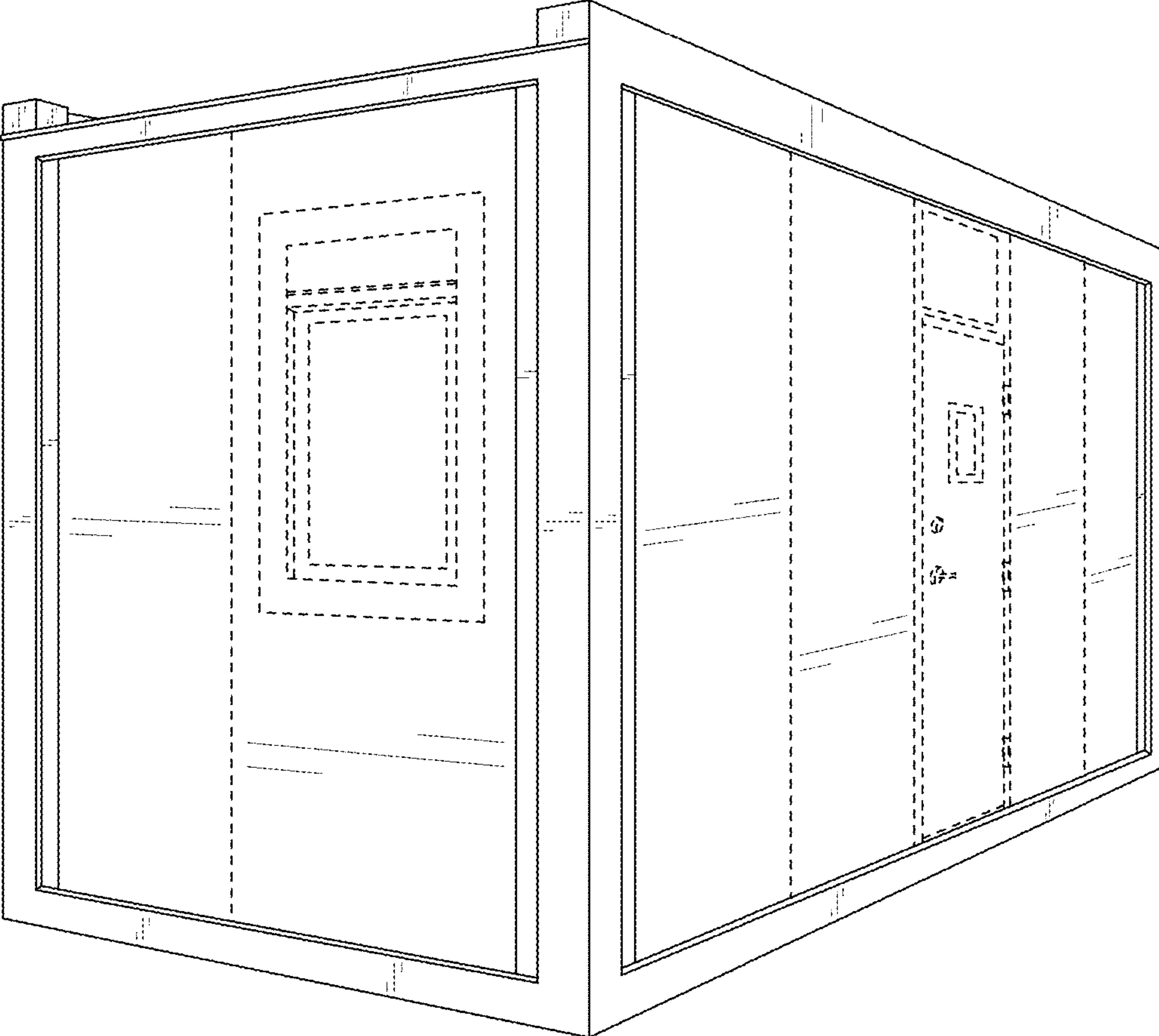


FIG. 1

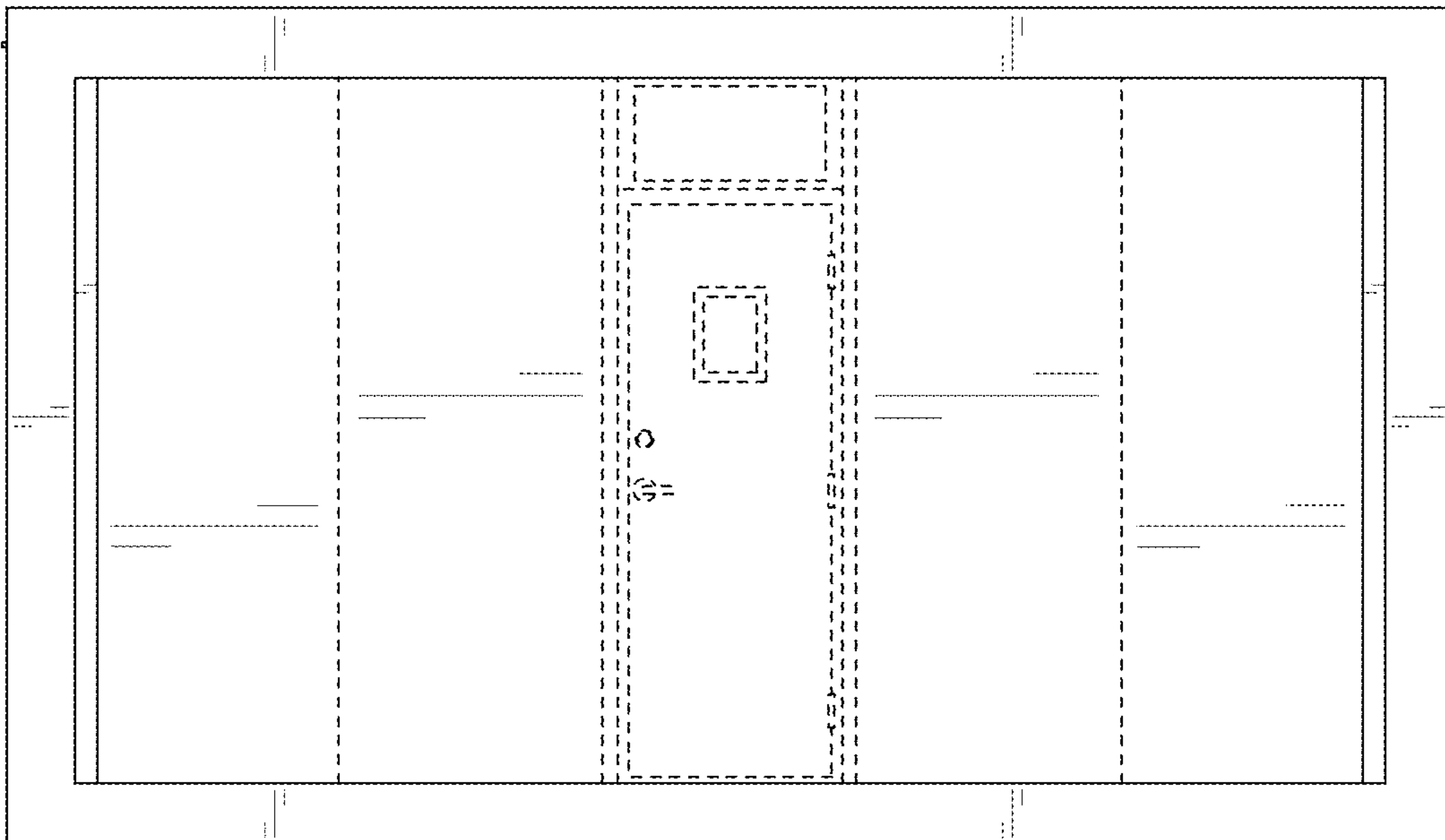


FIG. 2

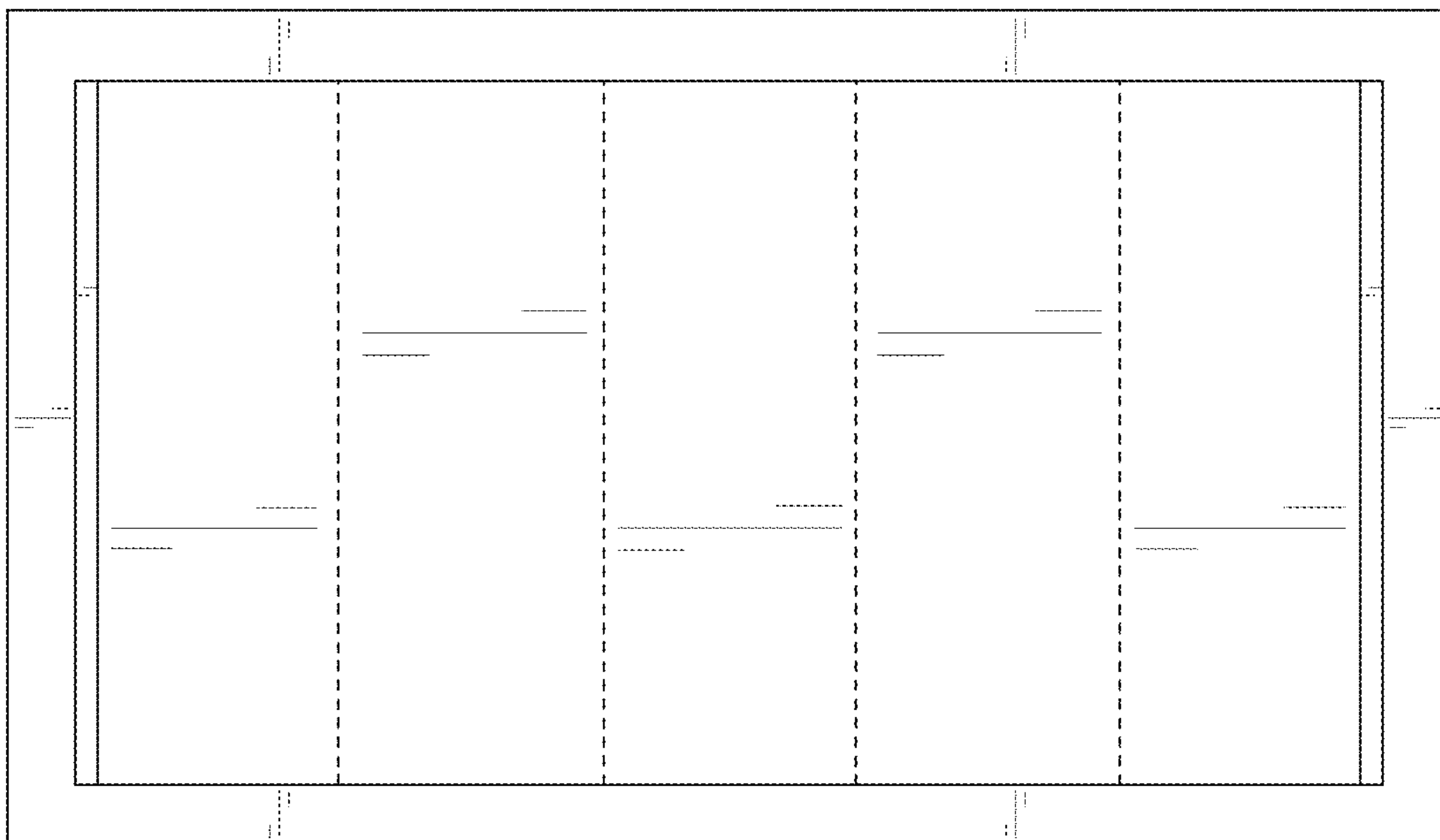


FIG. 3

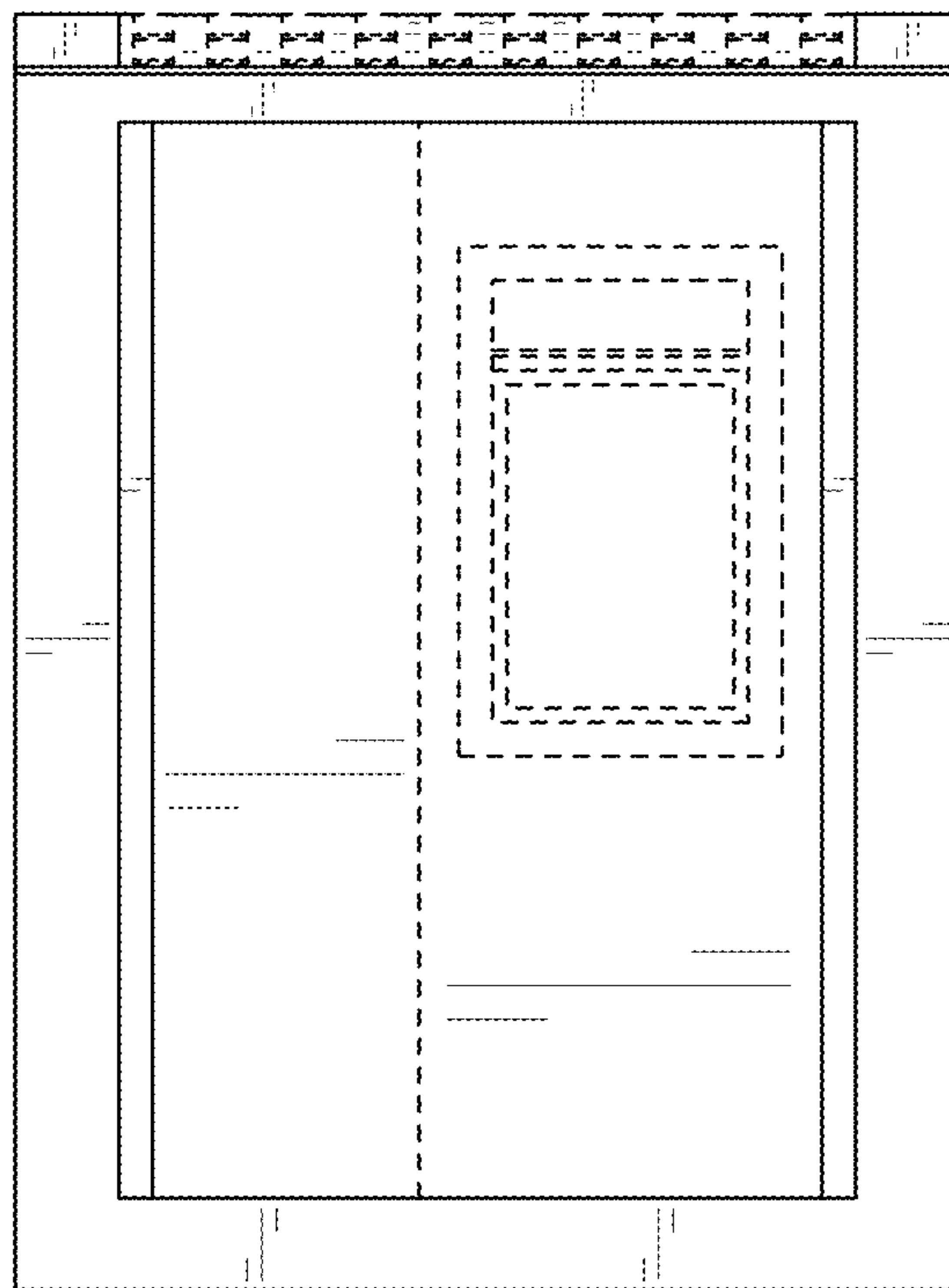


FIG. 4

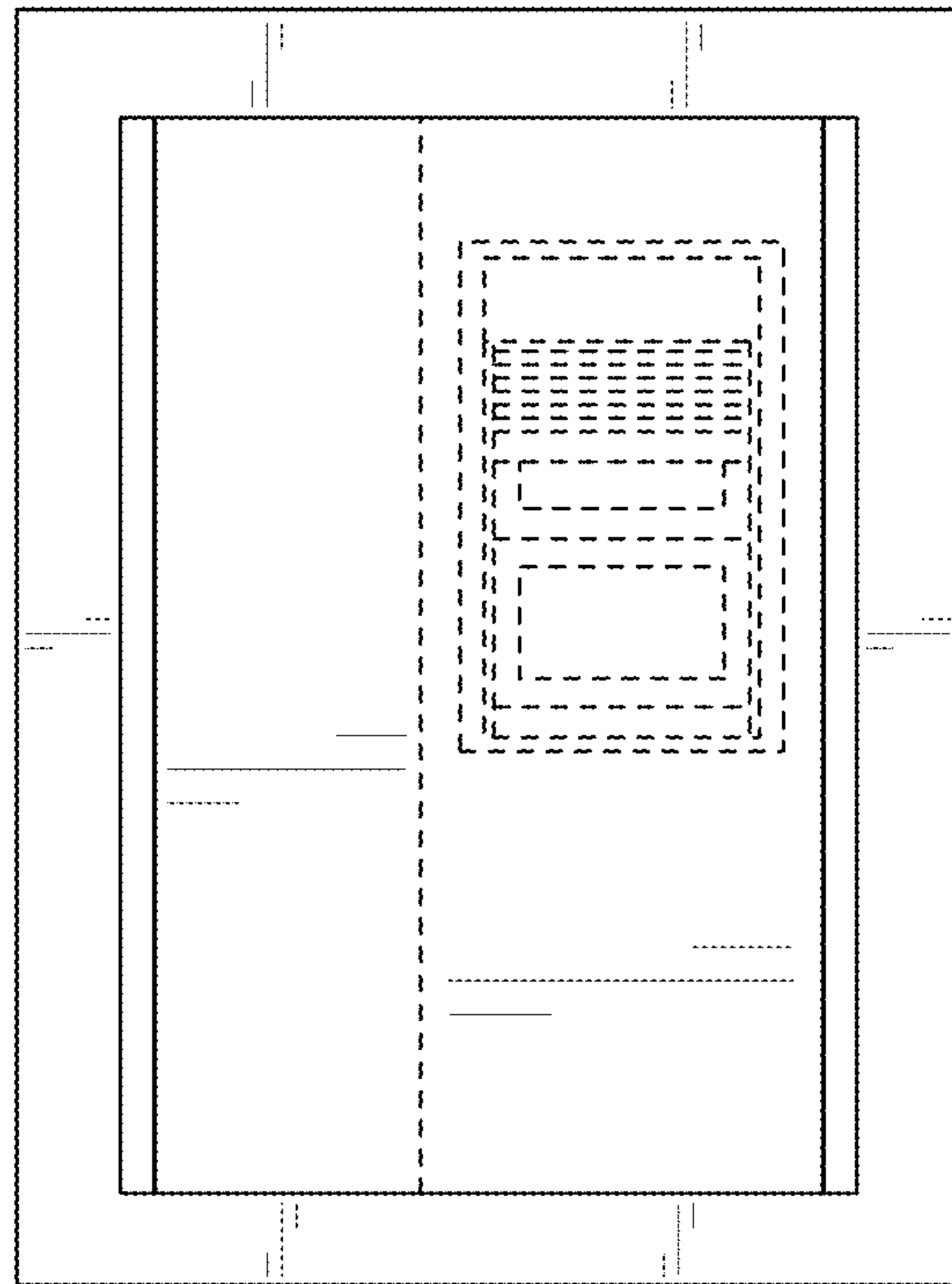


FIG. 5

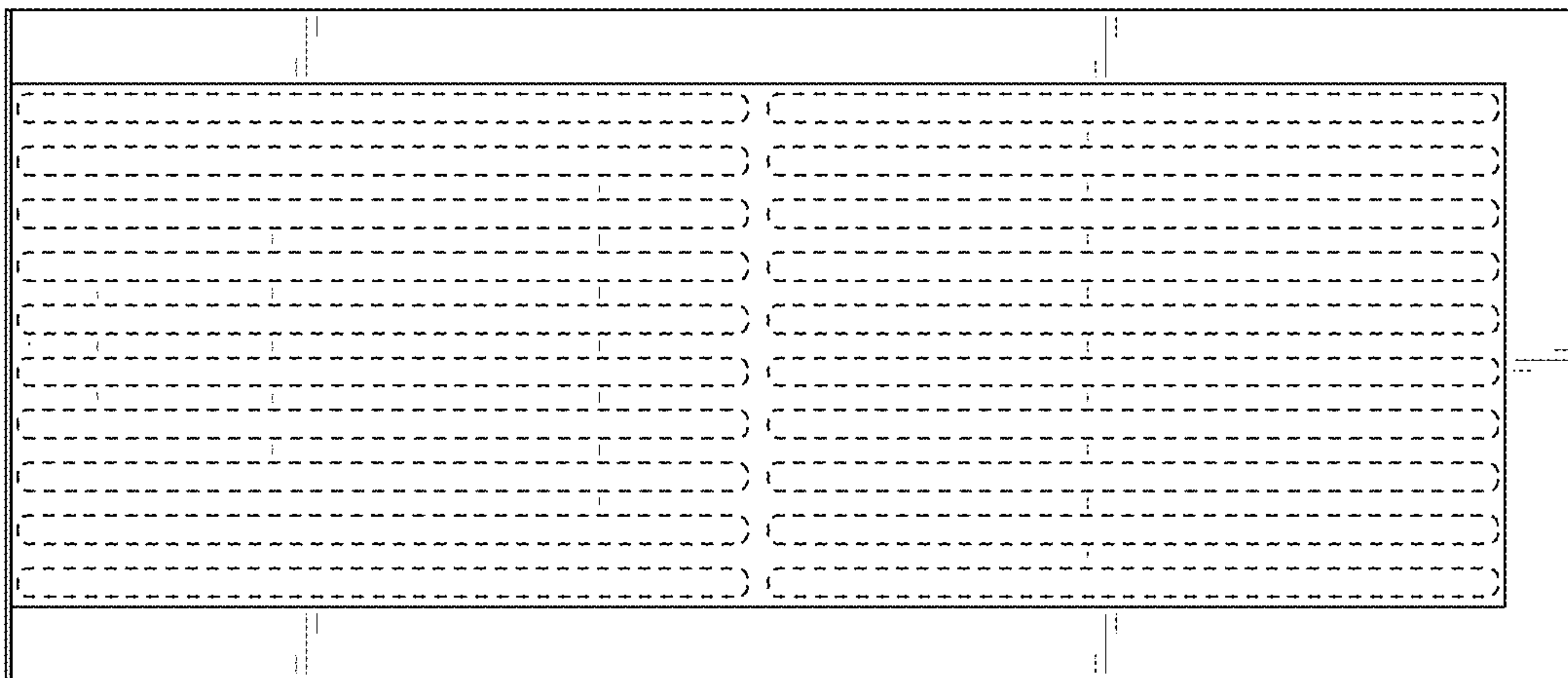


FIG. 6

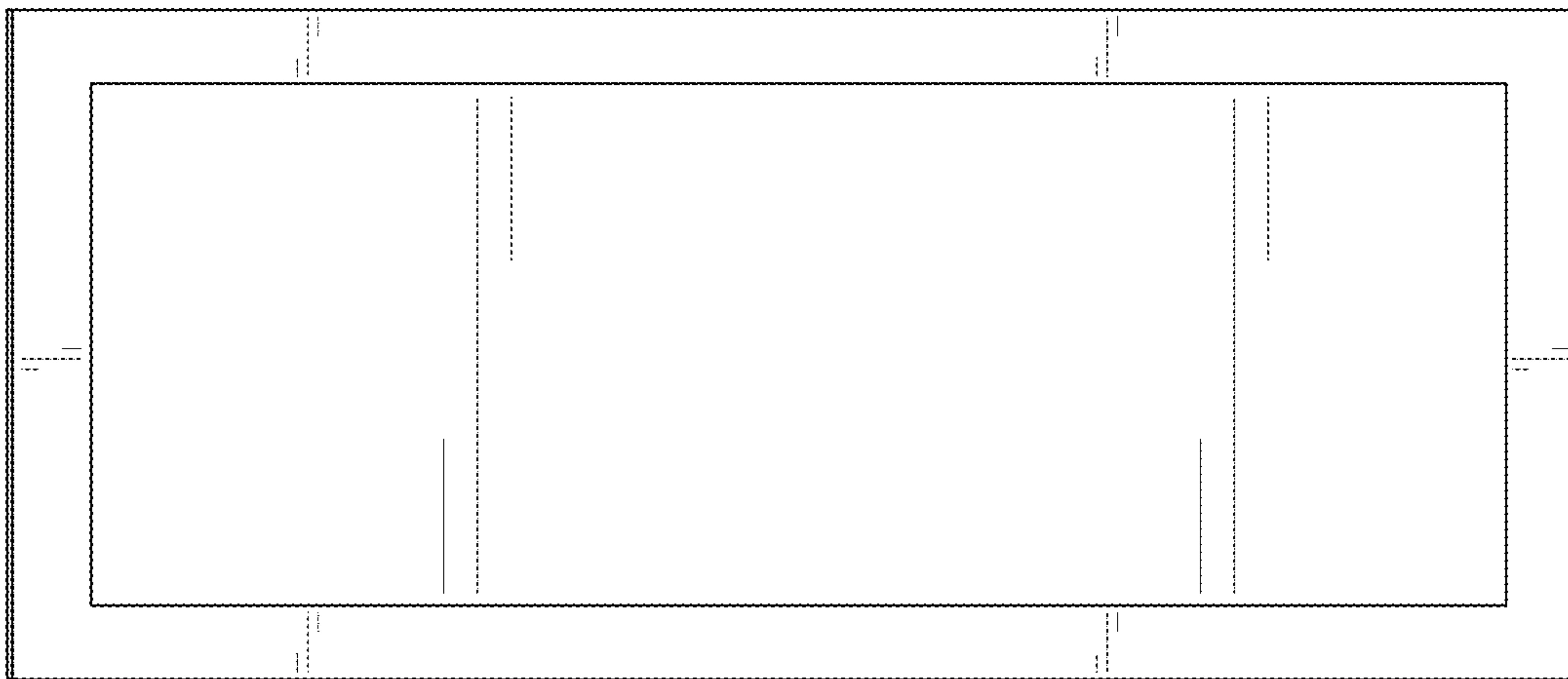


FIG. 7



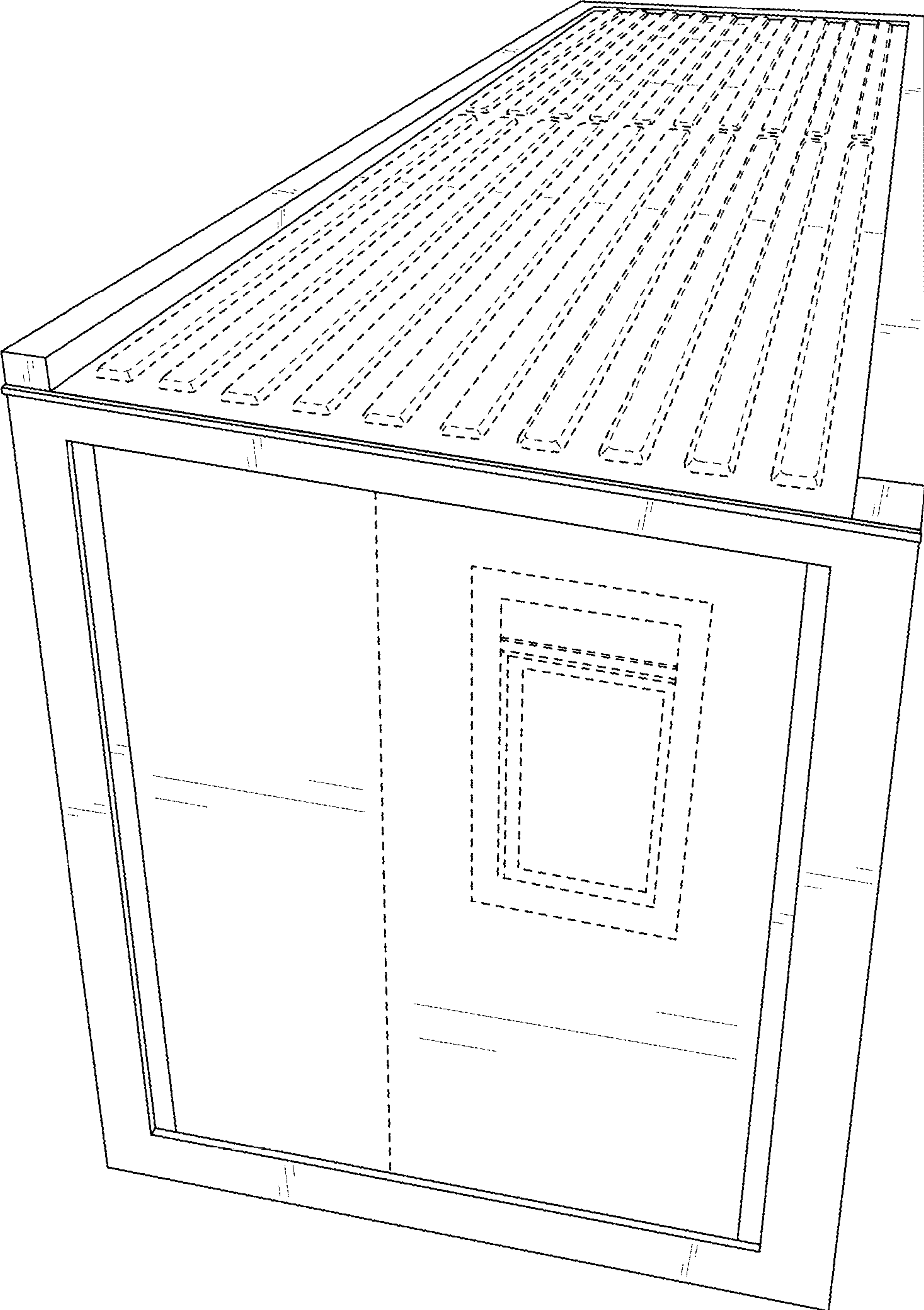


FIG. 8