



US00D771834S

(12) **United States Design Patent**  
**Leaver et al.**

(10) **Patent No.:** **US D771,834 S**

(45) **Date of Patent:** **\*\* Nov. 15, 2016**

(54) **MICROFLUIDIC CARTRIDGE**

(71) Applicant: **University of British Columbia,**  
Vancouver (CA)

(72) Inventors: **Timothy Leaver,** Delta (CA); **Andre Wild,** Vancouver (CA)

(73) Assignee: **University of British Columbia,**  
Vancouver (CA)

(\*\*) Term: **14 Years**

(21) Appl. No.: **29/525,306**

(22) Filed: **Apr. 28, 2015**

(51) **LOC (10) Cl.** ..... **24-02**

(52) **U.S. Cl.**  
USPC ..... **D24/224**

(58) **Field of Classification Search**  
USPC ..... D24/121–122, 186, 216–217, 219,  
D24/223–226, 227, 229–231, 232; D10/81;  
422/408, 430, 500, 502, 503, 68.1,  
422/560, 400; 436/163, 164, 169; 435/91.2,  
435/303.1

CPC . B01J 19/0046; G01N 31/221; G01N 31/22;  
G01N 21/8483; G01N 21/6428; B01L  
2400/0406; B01L 9/54; B01L 2300/0816;  
B01L 3/50855; B01L 3/502; B01L 3/502715;  
B01L 3/502707; B01L 9/527; B01L 3/5085

See application file for complete search history.

(56) **References Cited**

**U.S. PATENT DOCUMENTS**

D461,906 S *	8/2002	Pham	.....	D24/225
D491,273 S *	6/2004	Biegler	.....	D24/216
D495,805 S *	9/2004	Lea	.....	D24/216
D531,321 S *	10/2006	Godfrey	.....	D24/225
D559,995 S *	1/2008	Handique	.....	D24/232
D565,742 S *	4/2008	Parunak	.....	D24/224
D566,291 S *	4/2008	Parunak	.....	D24/224
7,704,735 B2 *	4/2010	Facer	.....	B01L 3/502707 436/174

7,727,371 B2 *	6/2010	Kennedy	.....	B01L 9/527 422/502
D621,060 S *	8/2010	Handique	.....	D24/225
D663,434 S *	7/2012	Cao	.....	D24/216
D668,350 S *	10/2012	Rowley	.....	D24/225
D668,779 S *	10/2012	Khan	.....	D24/225

(Continued)

**FOREIGN PATENT DOCUMENTS**

WO	2014/172045 A1	10/2014
WO	2015/013596 A2	1/2015
WO	2015/057998 A1	4/2015

**OTHER PUBLICATIONS**

“Agilent DNA 7500 and DNA 12000 Kit Guide,” Agilent Technologies, Waldbronn, Germany, Manual Part No. G2938-90024 Rev. B, Jul. 2013, 24 pages.

(Continued)

*Primary Examiner* — T. Chase Nelson

*Assistant Examiner* — Mark Cavanna

(74) *Attorney, Agent, or Firm* — Christensen O’Connor Johnson Kindness PLLC

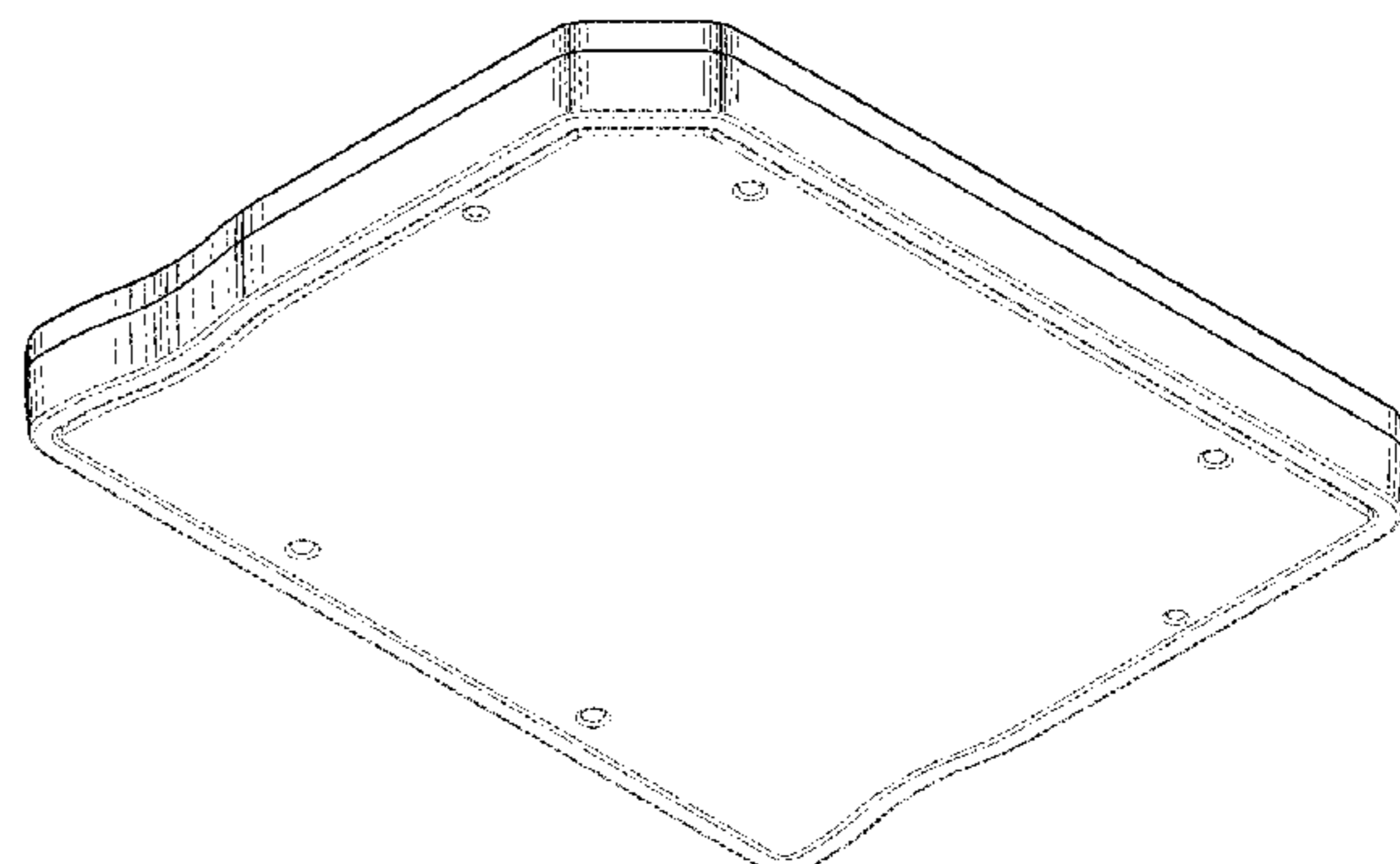
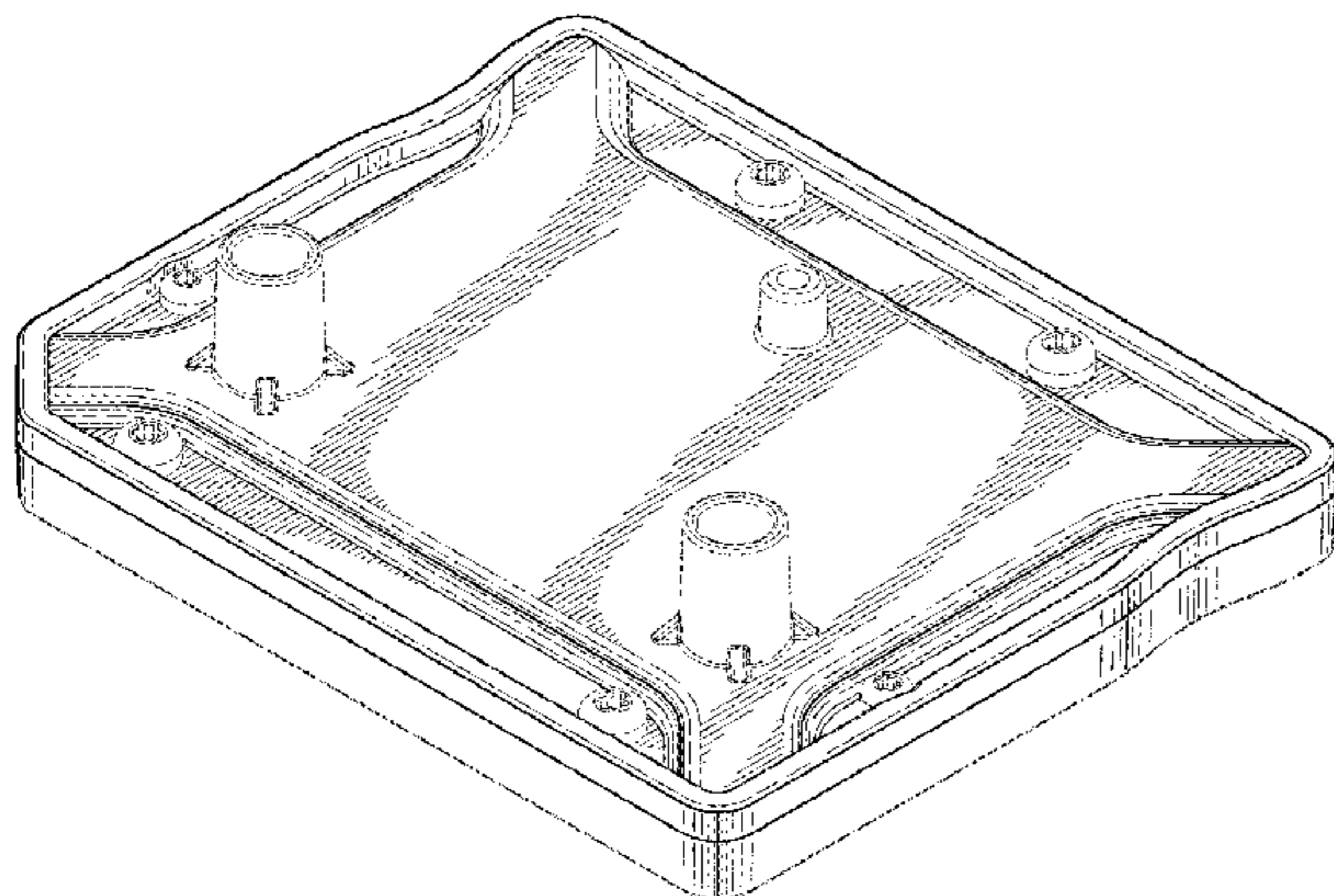
(57) **CLAIM**

The ornamental design for a microfluidic cartridge, as shown and described.

**DESCRIPTION**

FIG. 1 is a top front right perspective view of a microfluidic cartridge showing our new design; FIG. 2 is a bottom front left perspective view thereof; FIG. 3 is a top plan view thereof; FIG. 4 is a bottom plan view thereof; FIG. 5 is a front elevation view thereof; FIG. 6 is a rear elevation view thereof; FIG. 7 is a left side elevation view thereof; and, FIG. 8 is a right side elevation view thereof. The broken lines shown in the drawings illustrate portions of the microfluidic cartridge that form no part of the claimed design.

**1 Claim, 4 Drawing Sheets**



(56)

**References Cited**

U.S. PATENT DOCUMENTS

D669,191 S \* 10/2012 Handique ..... D24/225  
 D669,594 S \* 10/2012 Cao ..... D24/216  
 D676,145 S \* 2/2013 Kouge ..... D24/225  
 D679,024 S \* 3/2013 Kouge ..... D24/225  
 D686,311 S \* 7/2013 Mori ..... D24/108  
 D692,578 S \* 10/2013 Kikuhara ..... D24/216  
 D700,711 S \* 3/2014 Kikuhara ..... D24/216  
 D702,364 S \* 4/2014 Iqbal ..... D24/225  
 D731,671 S \* 6/2015 Gruner ..... D24/224  
 D732,186 S \* 6/2015 Burroughs ..... D24/226  
 D733,313 S \* 6/2015 Kouge ..... D24/225  
 D738,526 S \* 9/2015 Huang ..... D24/224  
 2004/0141887 A1 \* 7/2004 Mainquist ..... B01L 3/50855  
 422/400

2006/0165558 A1 \* 7/2006 Witty ..... B01L 3/502  
 422/400  
 2008/0182301 A1 \* 7/2008 Handique ..... B01L 3/502715  
 435/91.2  
 2011/0268630 A1 \* 11/2011 Williams ..... B01L 3/5085  
 422/560

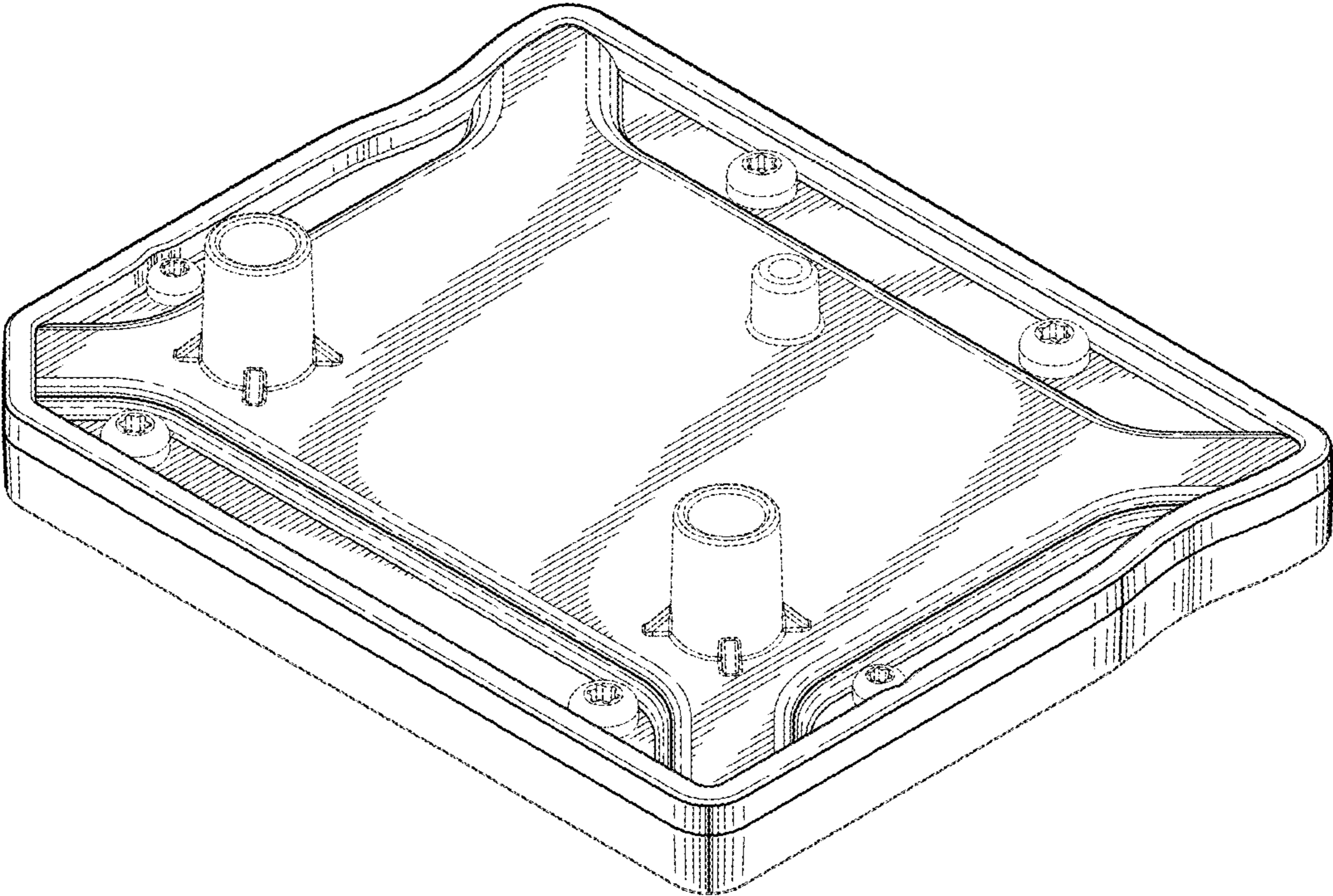
OTHER PUBLICATIONS

“NanoAssembl<sup>TM</sup>,” Precision Nanosystems, brochure distributed at the 16th Annual Oligonucleotide and Peptide Therapeutics: From Research Through Commercialization (TIDES), Providence, R.I., May 12-15, 2014, 4 pages.

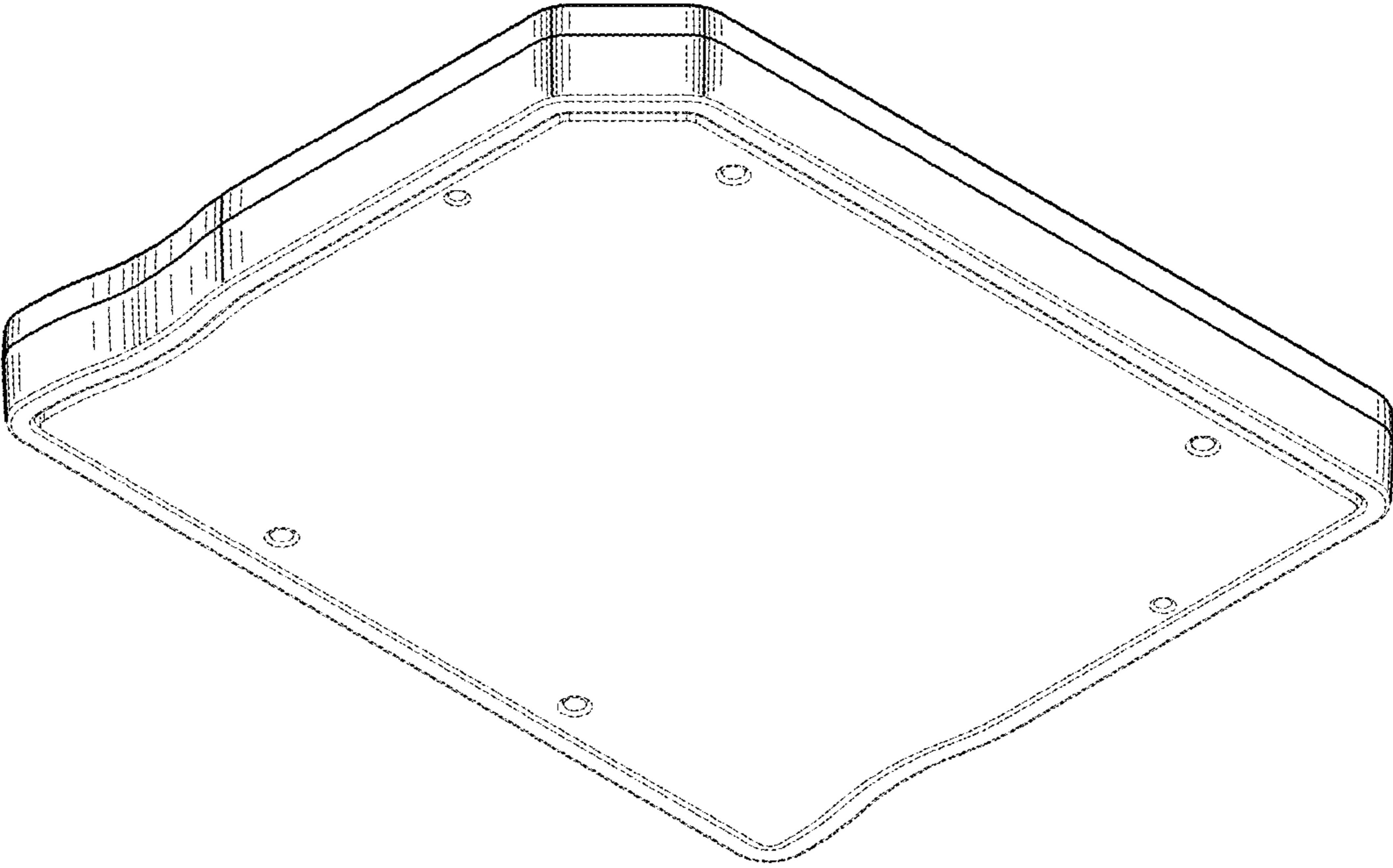
“NanoAssembl: Revolutionizing Medicine,” Precision Nanosystems, brochure distributed at the Sixth International Liposome Society Meeting, London, Dec. 14-17, 2013, 4 pages.

\* cited by examiner

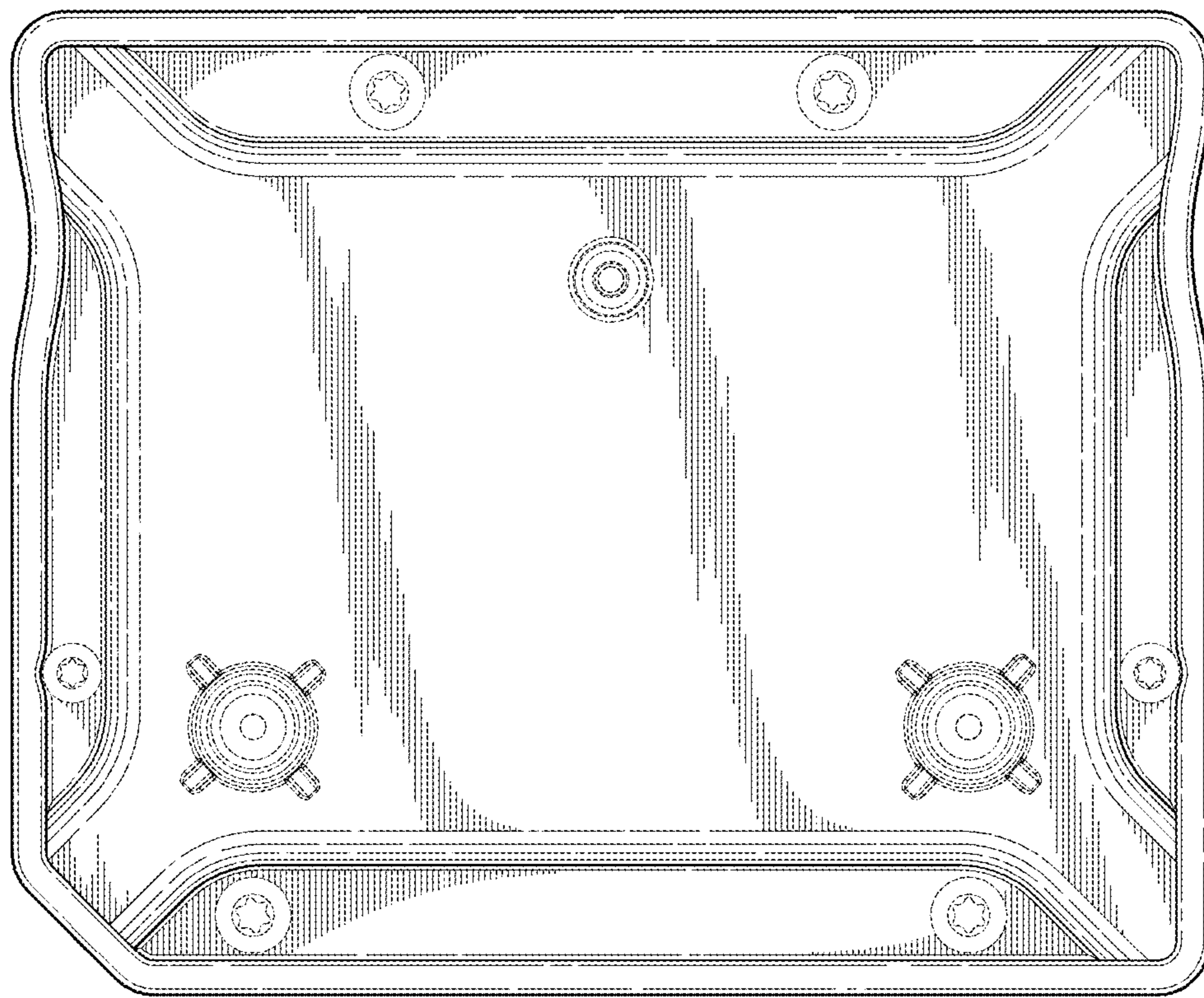




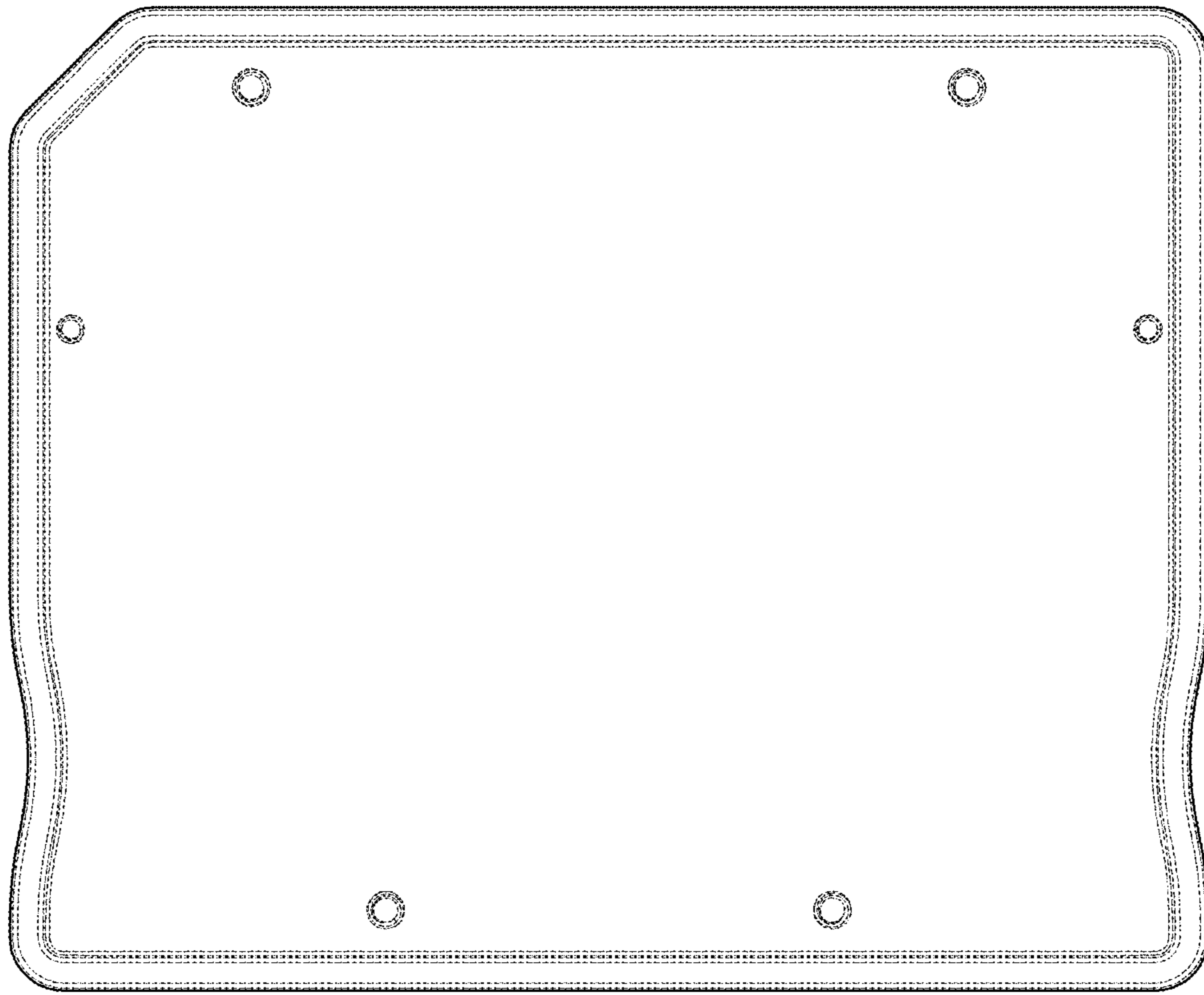
*Fig. 1.*



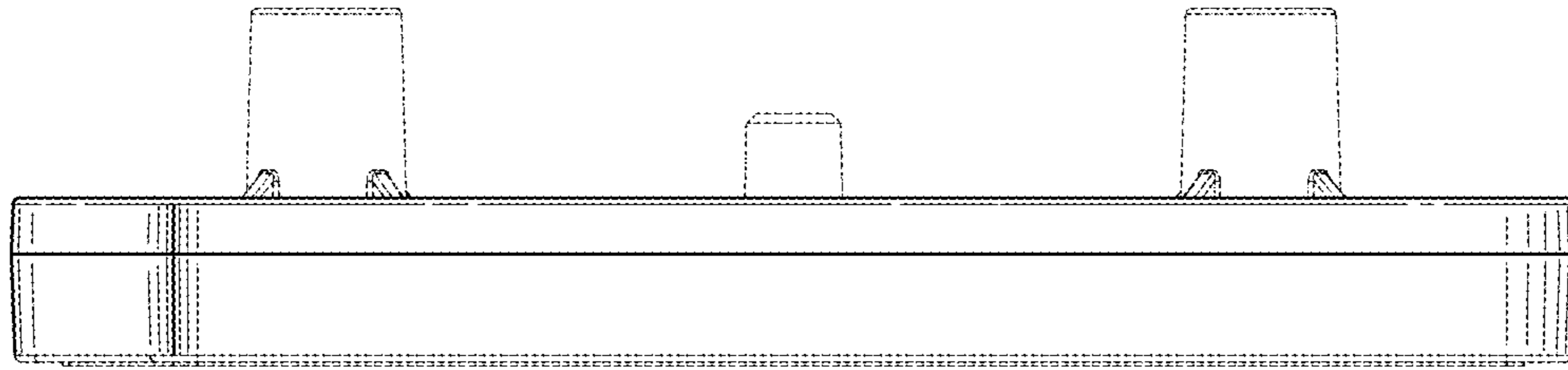
*Fig. 2.*



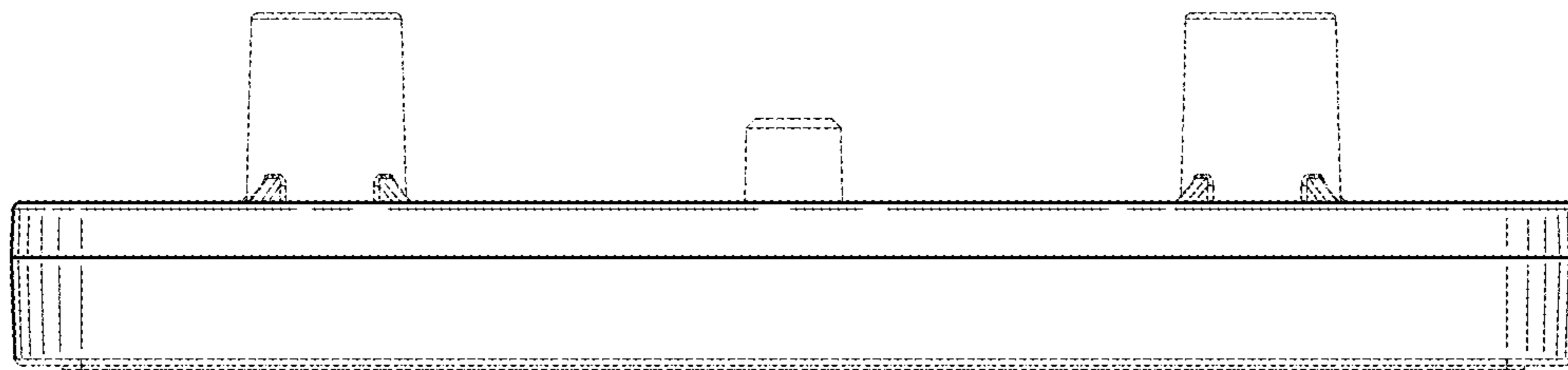
*Fig. 3.*



*Fig. 4.*



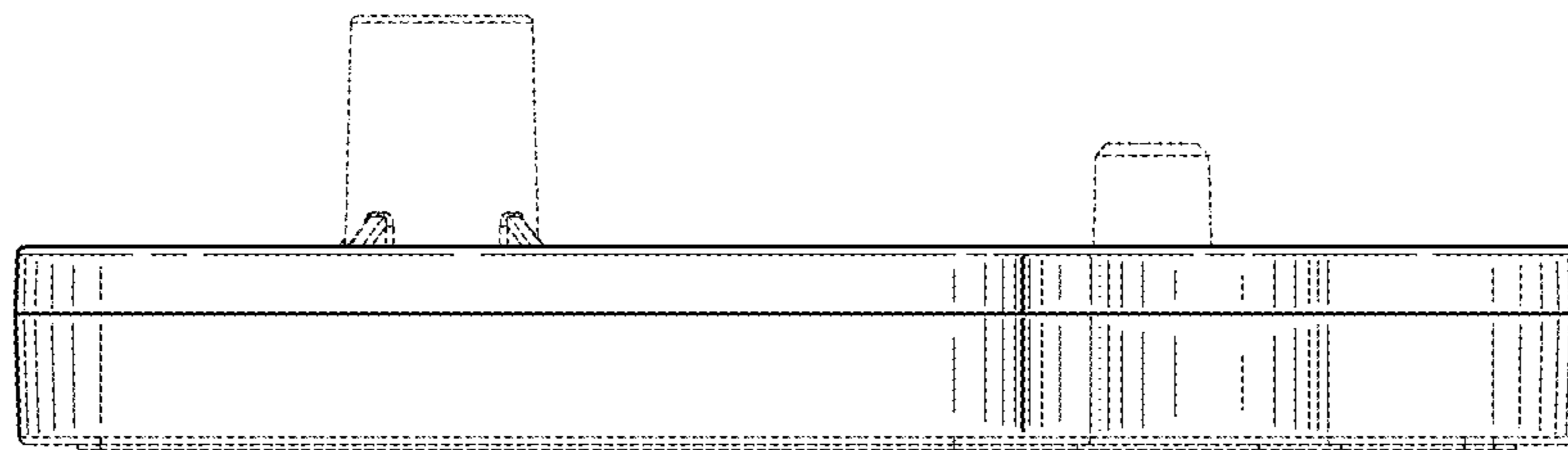
*Fig. 5.*



*Fig. 6.*



*Fig. 7.*



*Fig. 8.*