



US00D771833S

(12) **United States Design Patent** (10) **Patent No.:** **US D771,833 S**  
**Leaver et al.** (45) **Date of Patent:** **\*\* Nov. 15, 2016**

- (54) **MICROFLUIDIC CARTRIDGE**
- (71) Applicant: **University of British Columbia,**  
Vancouver (CA)
- (72) Inventors: **Timothy Leaver,** Delta (CA); **Andre Wild,** Vancouver (CA)
- (73) Assignee: **University of British Columbia,**  
Vancouver (CA)
- (\*\*) Term: **14 Years**
- (21) Appl. No.: **29/525,294**
- (22) Filed: **Apr. 28, 2015**
- (51) **LOC (10) Cl.** ..... **24-02**
- (52) **U.S. Cl.**  
USPC ..... **D24/224**
- (58) **Field of Classification Search**  
USPC ..... D24/121–122, 186, 216–217, 219,  
D24/223–226, 227, 229–231, 232; D10/81;  
422/408, 430, 500, 502, 503, 68.1,  
422/560, 400; 436/163, 164, 169; 435/91.2,  
435/303.1  
CPC . B01J 19/0046; G01N 31/221; G01N 31/22;  
G01N 21/8483; G01N 21/6428; B01L  
2400/0406; B01L 9/54; B01L 2300/0816;  
B01L 3/50855; B01L 3/502; B01L 3/502715;  
B01L 3/502707; B01L 9/527; B01L 3/5085  
See application file for complete search history.

- D621,060 S \* 8/2010 Handique ..... D24/225
- D663,434 S \* 7/2012 Cao ..... D24/216
- D668,350 S \* 10/2012 Rowley ..... D24/225
- D668,779 S \* 10/2012 Khan ..... D24/225

(Continued)

**FOREIGN PATENT DOCUMENTS**

- WO 2014/172045 A1 10/2014
- WO 2015/013596 A2 1/2015
- WO 2015/057998 A1 4/2015

**OTHER PUBLICATIONS**

“Agilent DNA 7500 and DNA 12000 Kit Guide,” Agilent Technologies, Waldbronn, Germany, Manual Part No. G2938-90024 Rev. B, Jul. 2013, 24 pages.

(Continued)

*Primary Examiner* — T. Chase Nelson  
*Assistant Examiner* — Mark Cavanna  
(74) *Attorney, Agent, or Firm* — Christensen O’Connor Johnson Kindness PLLC

(57) **CLAIM**

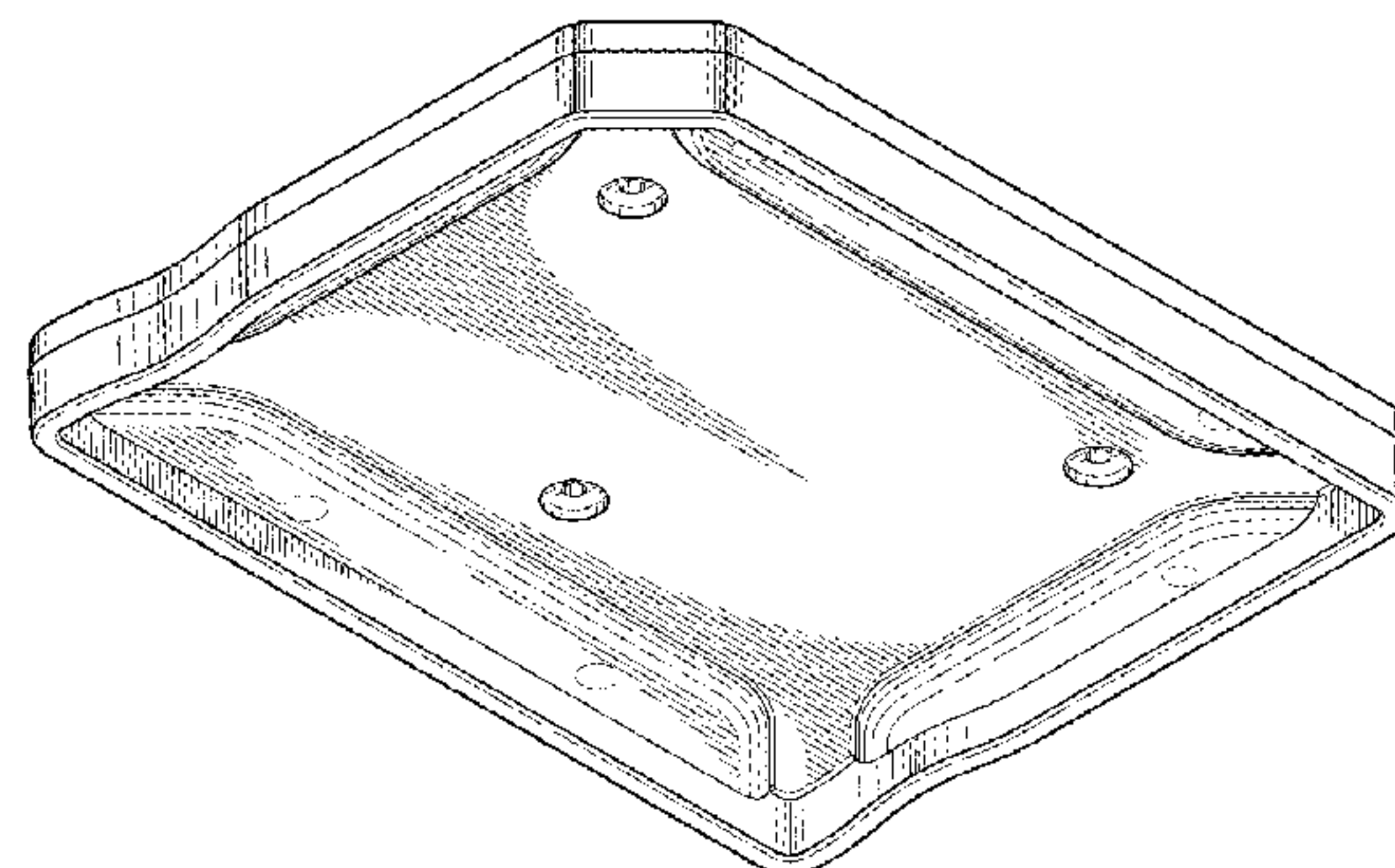
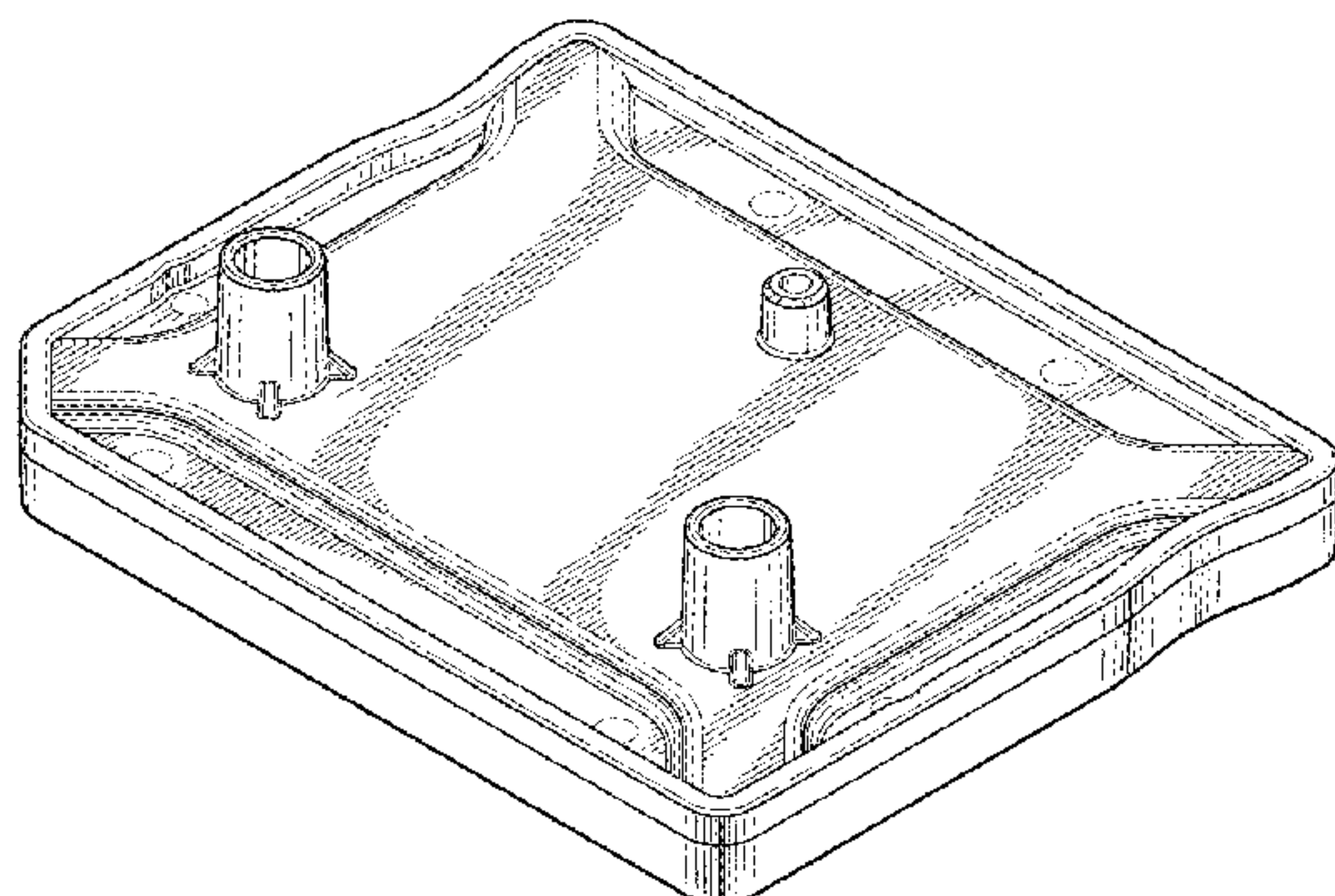
The ornamental design for a microfluidic cartridge, as shown and described.

**DESCRIPTION**

FIG. 1 is a top front right perspective view of a microfluidic cartridge showing our new design;  
FIG. 2 is a bottom front left perspective view thereof;  
FIG. 3 is a top plan view thereof;  
FIG. 4 is a bottom plan view thereof;  
FIG. 5 is a front elevation view thereof;  
FIG. 6 is a rear elevation view thereof;  
FIG. 7 is a left side elevation view thereof; and,  
FIG. 8 is a right side elevation view thereof.  
The broken lines shown in the drawings illustrate portions of the microfluidic cartridge that form no part of the claimed design.

**1 Claim, 4 Drawing Sheets**

- (56) **References Cited**  
**U.S. PATENT DOCUMENTS**  
D461,906 S \* 8/2002 Pham ..... D24/225  
D491,273 S \* 6/2004 Biegler ..... D24/216  
D495,805 S \* 9/2004 Lea ..... D24/223  
D531,321 S \* 10/2006 Godfrey ..... D24/225  
D559,995 S \* 1/2008 Handique ..... D24/232  
D565,742 S \* 4/2008 Parunak ..... D24/224  
D566,291 S \* 4/2008 Parunak ..... D24/224  
7,704,735 B2 \* 4/2010 Facer ..... B01L 3/502707  
435/303.1  
7,727,371 B2 \* 6/2010 Kennedy ..... B01L 9/527  
422/502



(56)

**References Cited**

U.S. PATENT DOCUMENTS

D669,191 S \* 10/2012 Handique ..... D24/225  
 D669,594 S \* 10/2012 Cao ..... D24/216  
 D676,145 S \* 2/2013 Kouge ..... D24/225  
 D679,024 S \* 3/2013 Kouge ..... D24/225  
 D686,311 S \* 7/2013 Mori ..... D24/216  
 D692,578 S \* 10/2013 Kikuhara ..... D24/216  
 D700,711 S \* 3/2014 Kikuhara ..... D24/216  
 D702,364 S \* 4/2014 Iqbal ..... D24/225  
 D731,671 S \* 6/2015 Gruner ..... D24/224  
 D732,186 S \* 6/2015 Burroughs ..... D24/226  
 D733,313 S \* 6/2015 Kouge ..... D24/225  
 D738,526 S \* 9/2015 Huang ..... D24/224  
 2004/0141887 A1 \* 7/2004 Mainquist ..... B01L 3/50855  
 422/400

2006/0165558 A1 \* 7/2006 Witty ..... B01L 3/502  
 422/400  
 2008/0182301 A1 \* 7/2008 Handique ..... B01L 3/502715  
 435/91.2  
 2011/0268630 A1 \* 11/2011 Williams ..... B01L 3/5085  
 422/560

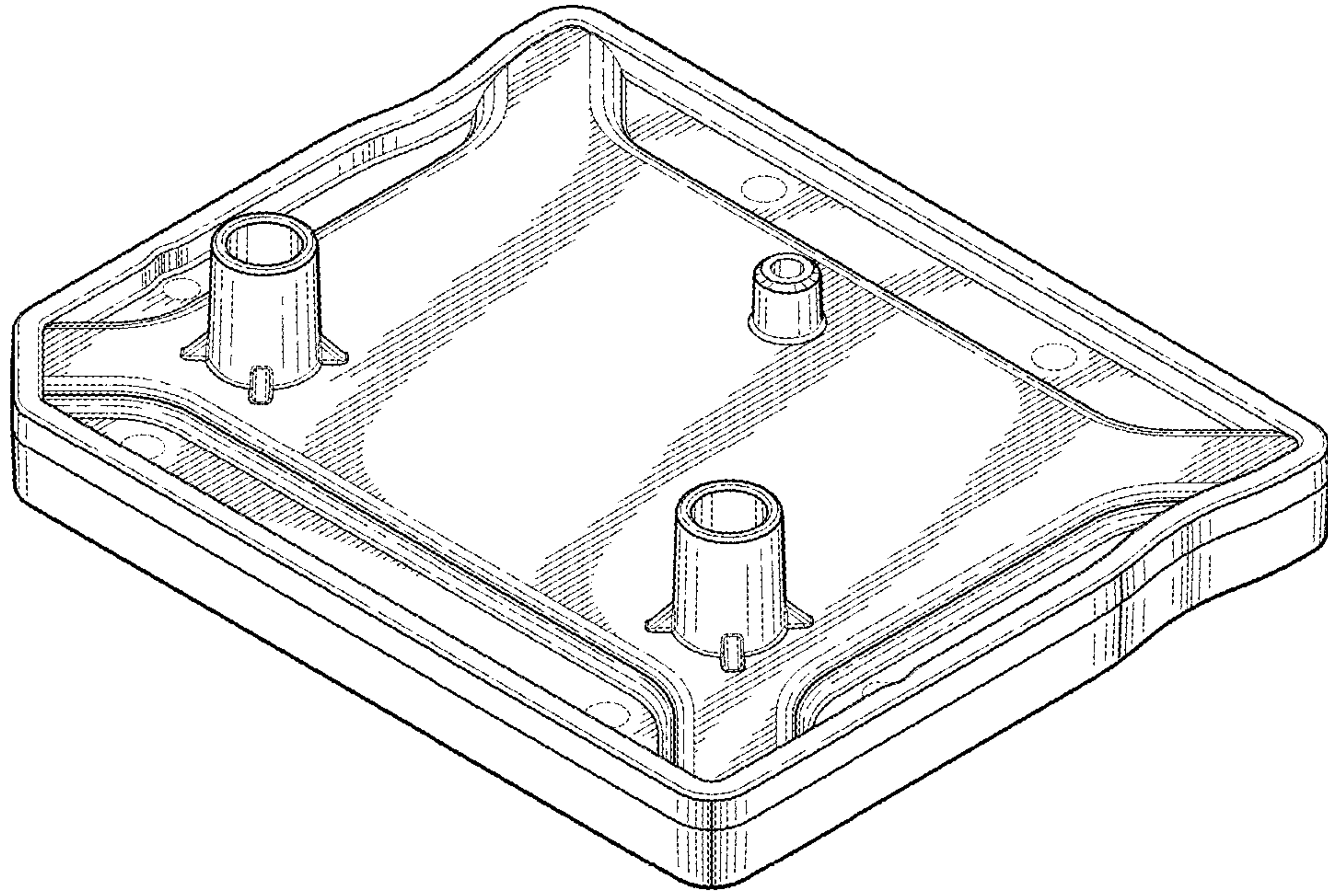
OTHER PUBLICATIONS

“NanoAssembl<sup>TM</sup>,” Precision Nanosystems, brochure distributed at the 16th Annual Oligonucleotide and Peptide Therapeutics: From Research Through Commercialization (TIDES), Providence, R.I., May 12-15, 2014, 4 pages.

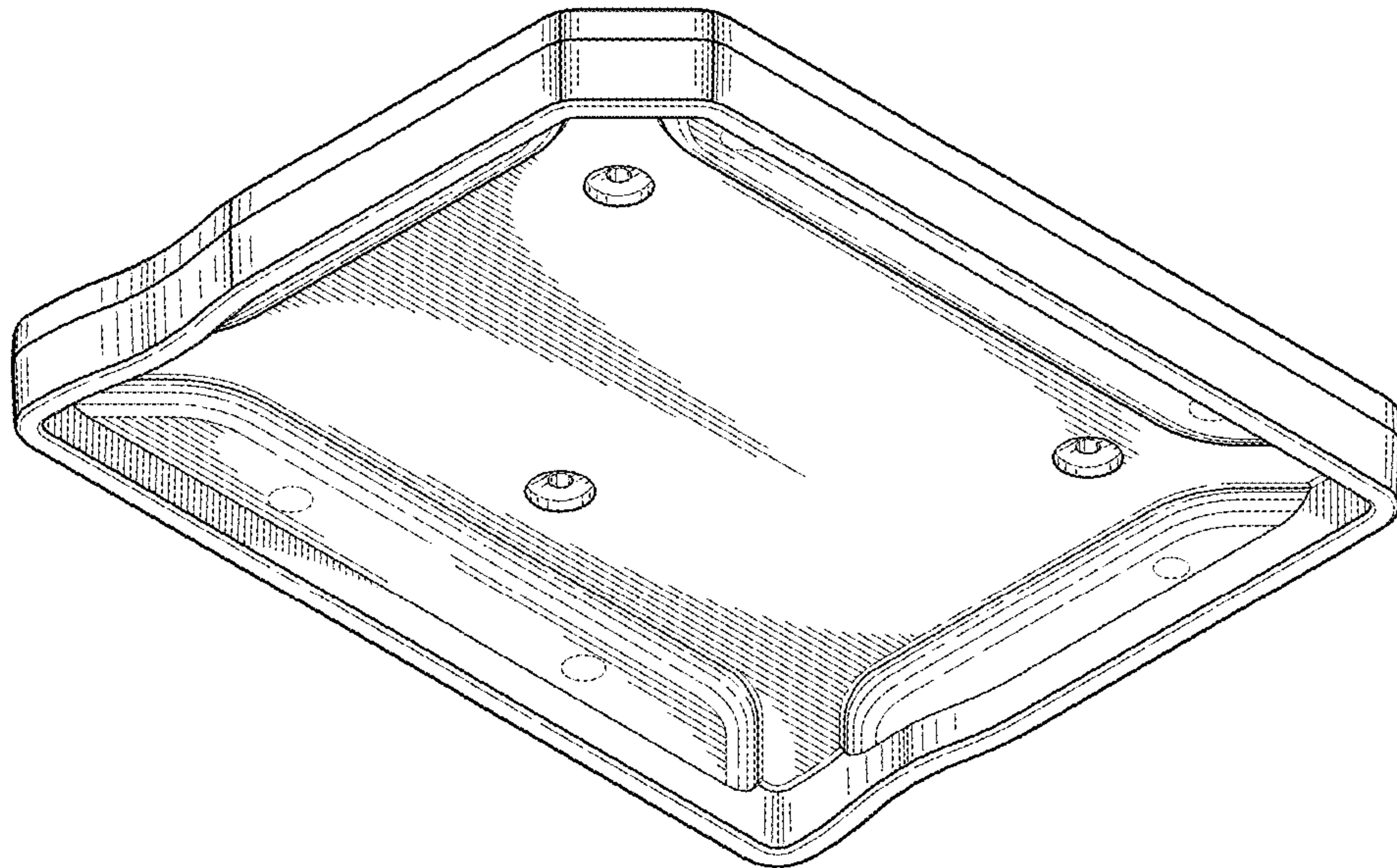
“NanoAssembl: Revolutionizing Medicine,” Precision Nanosystems, brochure distributed at the Sixth International Liposome Society Meeting, London, Dec. 14-17, 2013, 4 pages.

\* cited by examiner

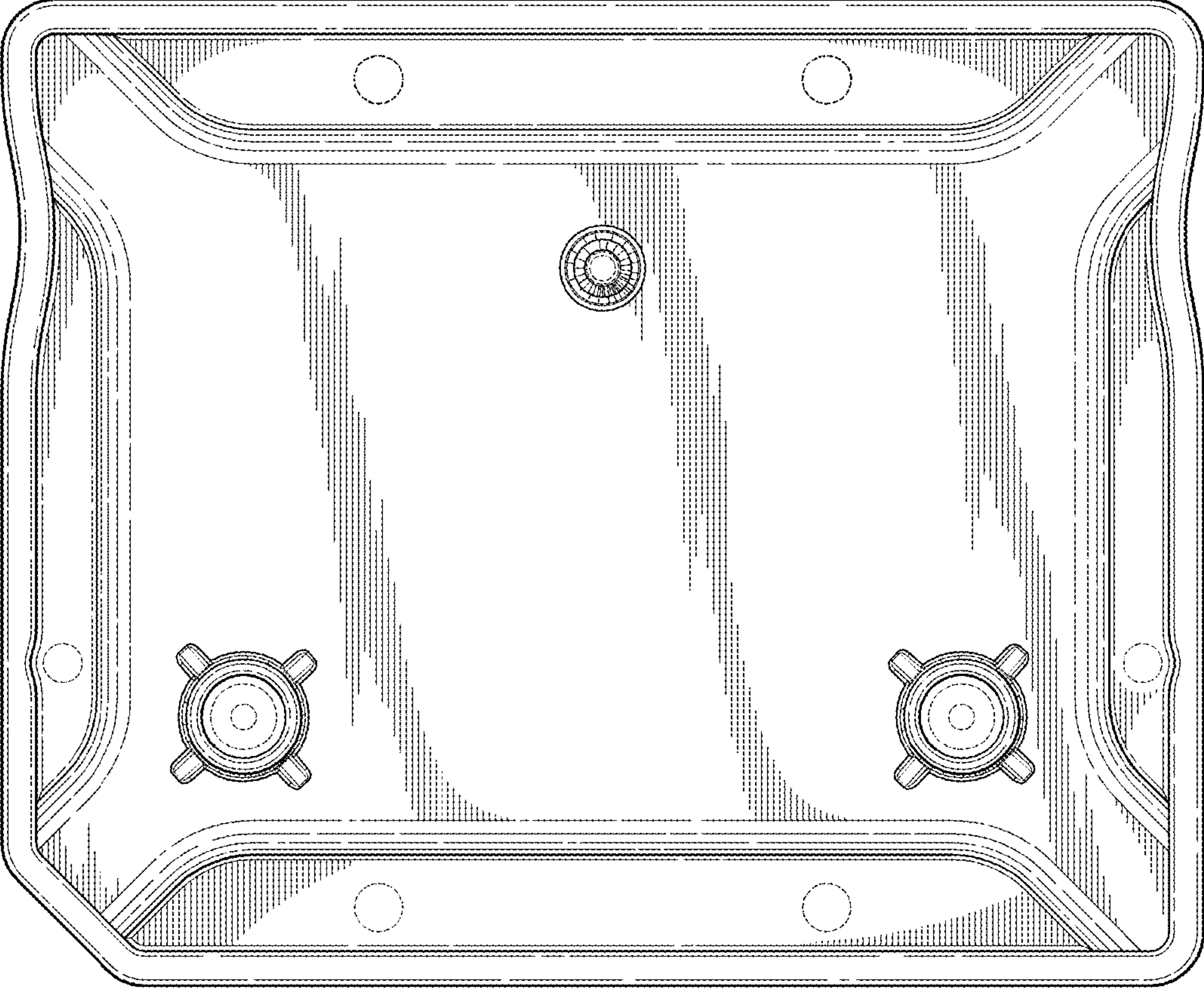




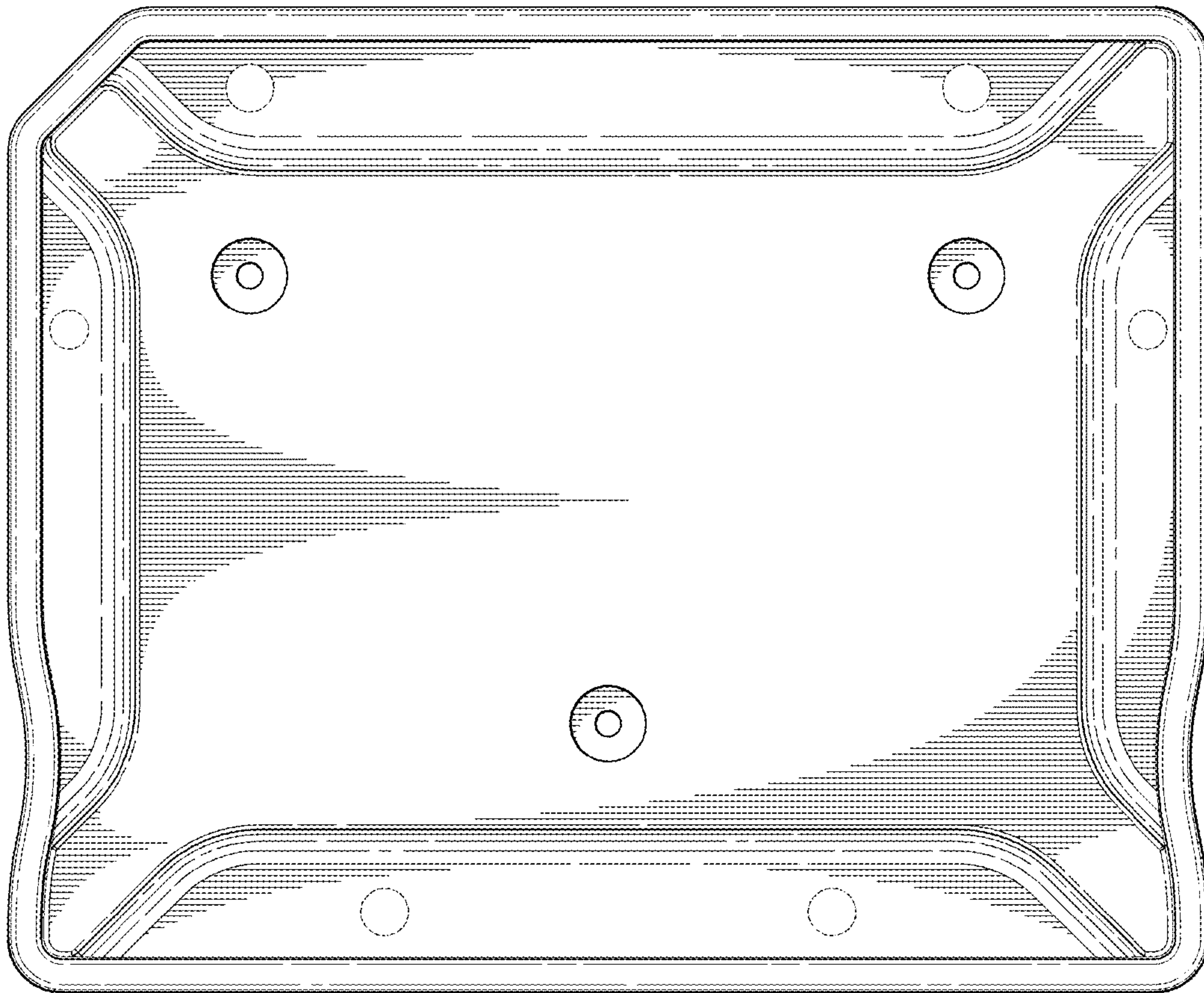
*Fig. 1.*



*Fig. 2.*

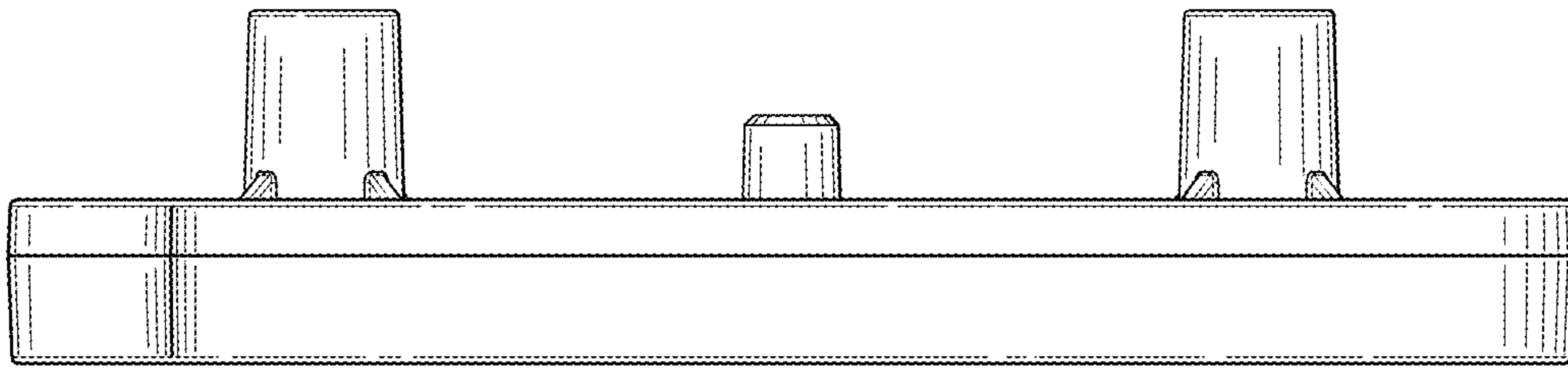


*Fig. 3.*

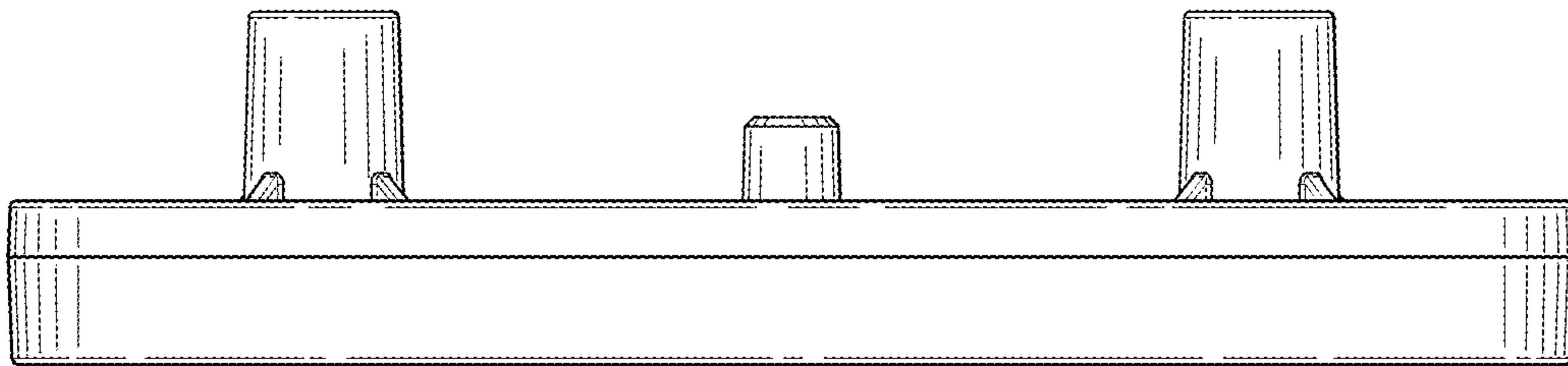


*Fig. 4.*

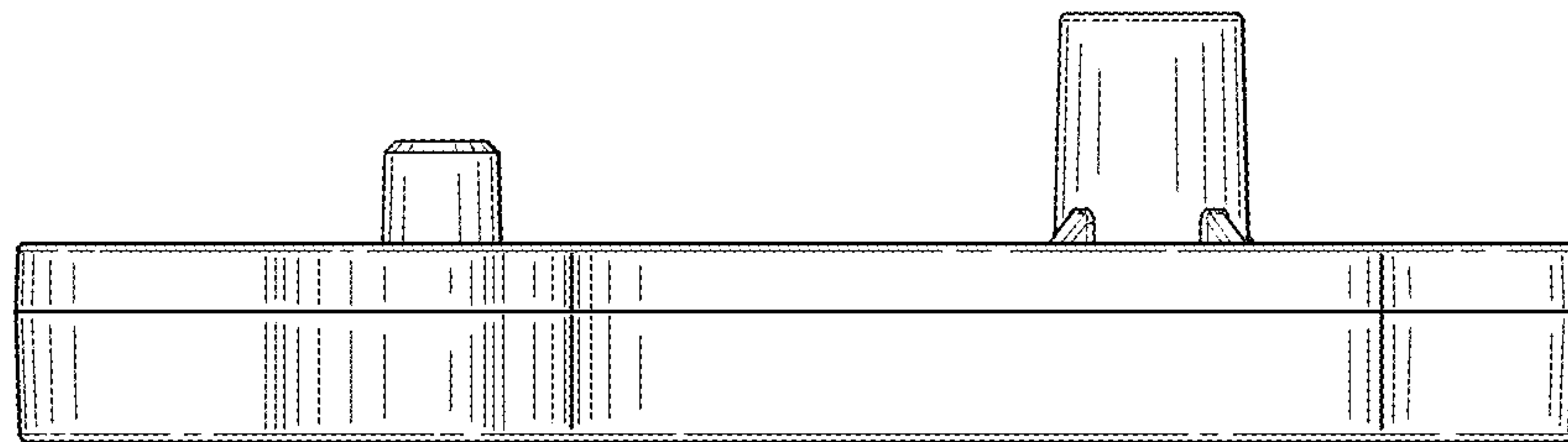




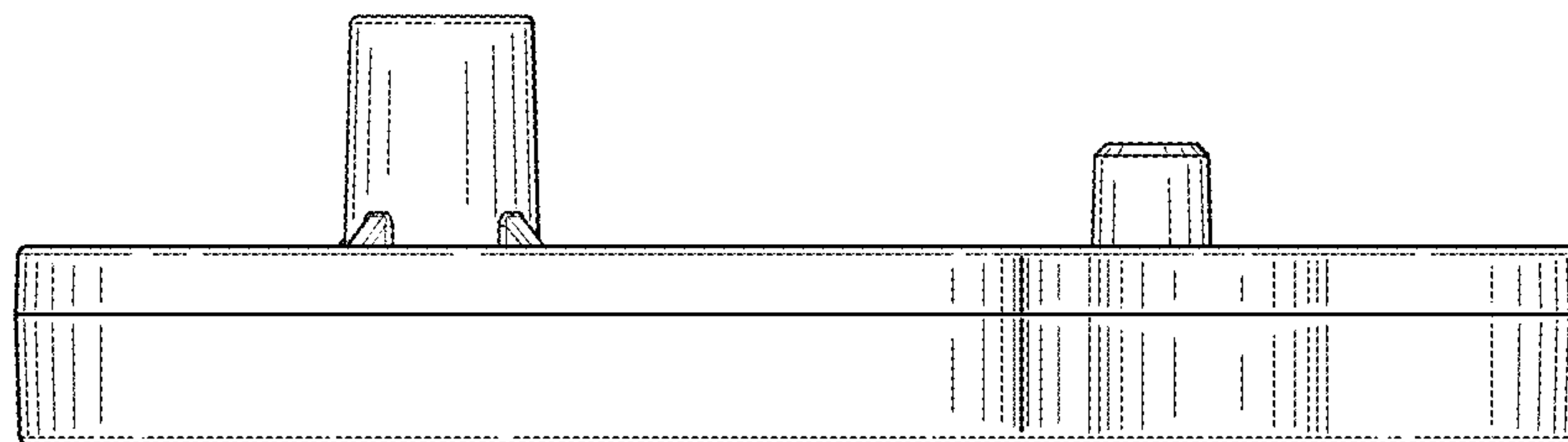
*Fig. 5.*



*Fig. 6.*



*Fig. 7.*



*Fig. 8.*