



US00D771832S

(12) **United States Design Patent**
Yeager et al.

(10) **Patent No.:** **US D771,832 S**
(45) **Date of Patent:** **** Nov. 15, 2016**

(54) **LID AND SCREEN ASSEMBLY OF A
SAMPLE COLLECTION CONTAINER WITH
SCREEN**

FOREIGN PATENT DOCUMENTS

WO 2004075740 9/2004

(71) Applicant: **Medline Industries, Inc.**, Mundelein,
IL (US)

OTHER PUBLICATIONS

Bedoe, Scott et al.; U.S. Appl. No. 14/957,137, filed Dec. 2, 2015.

(72) Inventors: **Anna Yeager**, Chicago, IL (US); **James
Burgess**, Mundelein, IL (US); **Scott
Bedoe**, McHenry, IL (US)

Primary Examiner — T. Chase Nelson

Assistant Examiner — Mark Cavanna

(73) Assignee: **Medline Industries, Inc.**, Mundelein,
IL (US)

(74) *Attorney, Agent, or Firm* — Fitch, Even, Tabin &
Flannery LLP

(**) Term: **14 Years**

(57) **CLAIM**

We claim the ornamental design for a lid and screen assem-
bly of a sample collection container with screen, as shown
and described.

(21) Appl. No.: **29/494,106**

(22) Filed: **Jun. 17, 2014**

(51) **LOC (10) Cl.** **24-01**

(52) **U.S. Cl.**
USPC **D24/224**

(58) **Field of Classification Search**

USPC D24/216–232, 121, 162, 164;
D3/203.1, 203.2; D10/81, 78; 604/317,
604/319, 415; D9/429, 504, 516, 529,
D9/520–521, 544–446, 539, 502, 556,
D9/558; 422/500, 547, 554, 556, 528, 501,
422/1, 400, 536; 206/365; 215/224, 305,
215/306, 365, 230, 204; D23/209; 600/573,
600/562, 575; 210/232, 521
CPC A61M 5/1785; A61M 5/002; A61M
1/0001; A61M 1/0056; A61M 1/0005;
A61M 1/0068; B65B 31/00; B01L 3/50825;
B01L 3/502; B01L 3/0275; B01L 3/08;
B01L 3/502738; G01N 1/36; G01N 35/1002;
A61L 2/04; B01J 19/0093; B65D 50/061;
B65D 51/243; A61B 10/0096; A61C 17/046
See application file for complete search history.

DESCRIPTION

FIG. 1 is a top perspective view of the first embodiment of
a lid and screen assembly of a sample collection container
with screen showing our new design with the lid and screen
portions connected;
FIG. 2 is a bottom perspective view thereof;
FIG. 3 is a front elevational view thereof;
FIG. 4 is a rear elevational view thereof;
FIG. 5 is a left side elevational view thereof;
FIG. 6 is a right side elevational view thereof;
FIG. 7 is a top plan view thereof;
FIG. 8 is a bottom plan view thereof;
FIG. 9 is a top perspective exploded view of the second
embodiment of the lid and screen assembly of a sample
collection container with screen with the lid and screen
portions separated;
FIG. 18 is a bottom perspective exploded view thereof;
FIG. 19 is a front elevational exploded view thereof;
FIG. 20 is a rear elevational exploded view thereof;
FIG. 21 is a left side elevational exploded view thereof;
FIG. 22 is a right side elevational exploded view thereof;
FIG. 23 is a top plan exploded view thereof; and,
FIG. 24 is a bottom plan exploded view thereof.

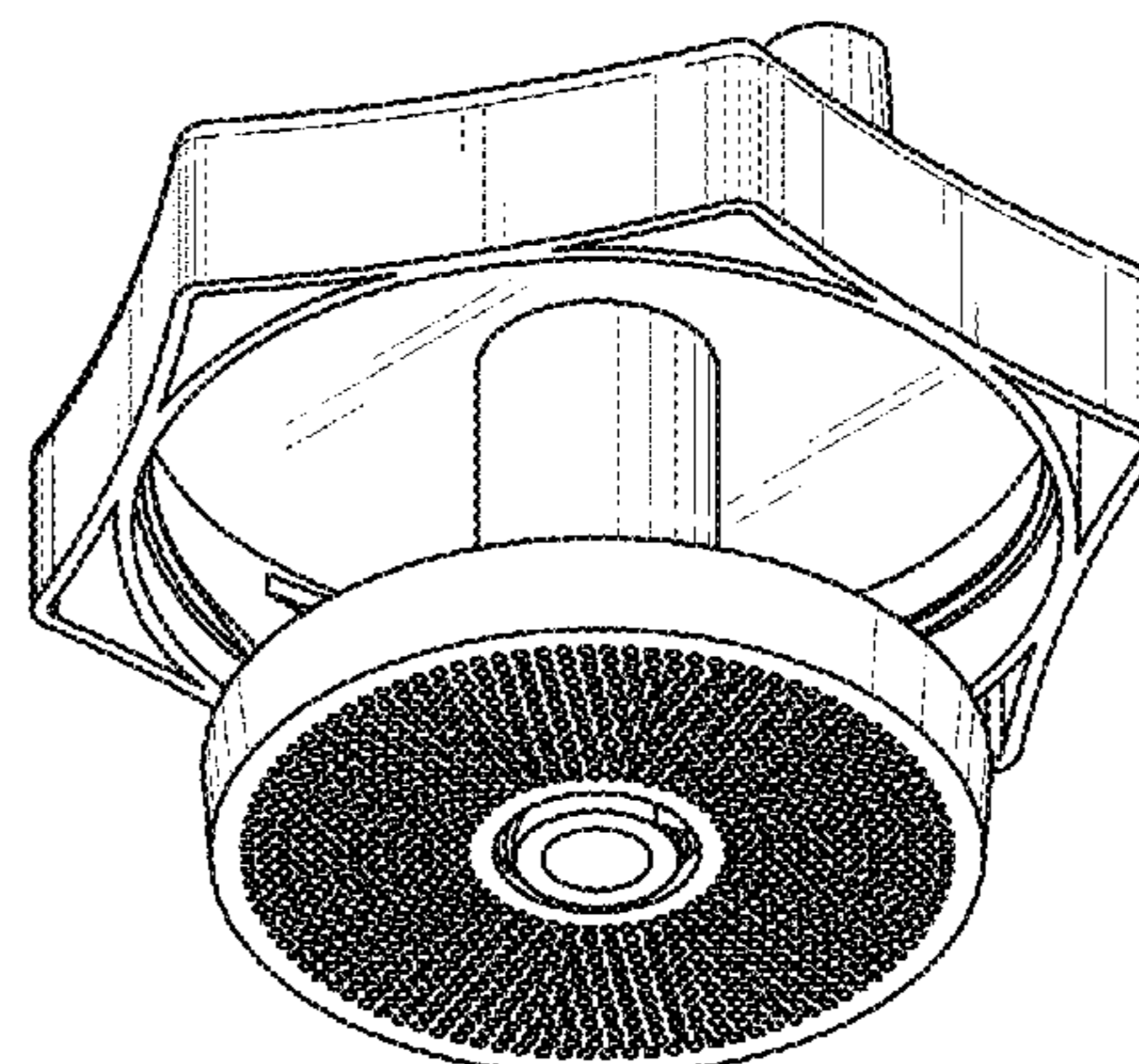
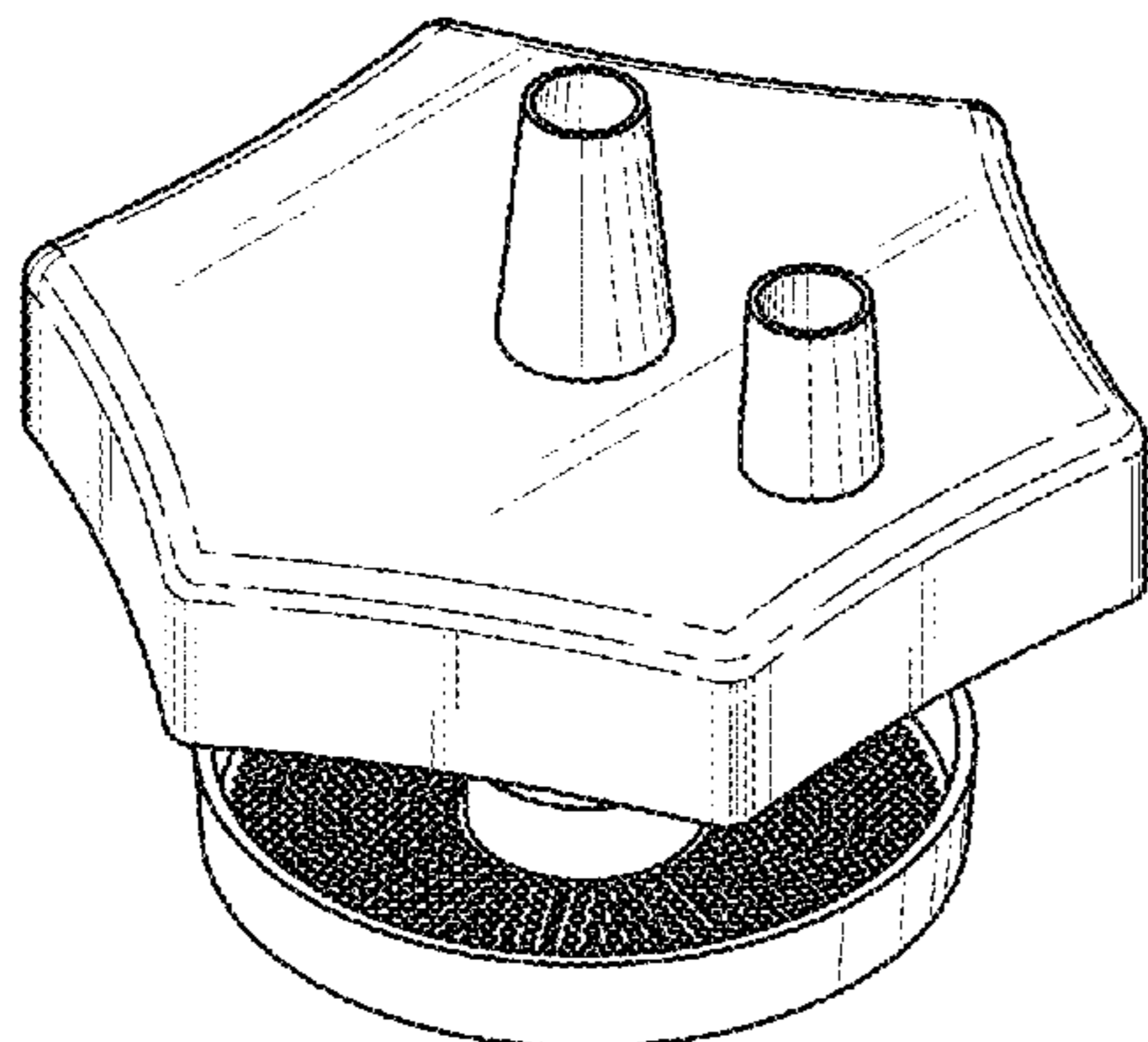
(56) **References Cited**

U.S. PATENT DOCUMENTS

743,091 A 11/1903 Loop
2,115,577 A 4/1938 Goldman

(Continued)

1 Claim, 12 Drawing Sheets



(56)

References Cited

U.S. PATENT DOCUMENTS

2,151,538 A 3/1939 Swanson
 3,855,997 A 12/1974 Sauer
 D249,708 S * 9/1978 Smith D24/224
 D260,175 S * 8/1981 Hein D24/162
 4,385,891 A 5/1983 Ligotti
 D273,330 S * 4/1984 Rouch D24/162
 4,443,220 A * 4/1984 Hauer A61M 1/0001
 604/319
 4,460,361 A * 7/1984 Nichols A61M 1/0001
 604/319
 D285,606 S * 9/1986 Christopherson D23/209
 4,643,197 A * 2/1987 Greene A61M 1/0056
 600/575
 D305,934 S * 2/1990 Sone D24/162
 D306,340 S * 2/1990 Whiting D23/209
 4,957,492 A * 9/1990 McVay A61M 1/0056
 600/573
 4,957,629 A 9/1990 Smith
 5,042,979 A 8/1991 Anderson
 5,049,273 A 9/1991 Knox
 5,409,024 A 4/1995 Morrison
 5,514,119 A 5/1996 Curtis
 5,624,418 A 4/1997 Shepard
 5,797,742 A 8/1998 Fraker
 5,817,032 A * 10/1998 Williamson, IV . A61B 10/0096
 422/536
 5,904,677 A * 5/1999 Drummey A61B 10/0096
 604/415
 6,149,812 A * 11/2000 Erickson A61C 17/046
 210/521
 D435,906 S * 1/2001 Wilkinson D24/224
 6,264,636 B1 7/2001 Holm
 6,375,625 B1 * 4/2002 French A61M 1/0001
 600/573
 D475,461 S * 6/2003 Takagi D24/162
 6,589,219 B1 7/2003 Shibuya
 6,733,664 B2 5/2004 Menne
 D494,279 S * 8/2004 Cogan D24/224

6,796,167 B2 9/2004 Tigerholm
 6,872,184 B2 3/2005 Brannon
 D526,413 S * 8/2006 Baker D24/164
 7,083,761 B2 * 8/2006 Zimmermann G01N 1/36
 422/536
 7,244,236 B2 7/2007 Merkle
 7,449,106 B2 11/2008 Ramsey
 7,488,312 B2 2/2009 Rogers
 7,497,340 B2 3/2009 Hershberger
 7,572,236 B2 8/2009 Quick
 7,758,515 B2 7/2010 Hibner
 7,758,556 B2 7/2010 Perez-Cruet
 7,981,051 B2 7/2011 Quick
 8,088,079 B2 1/2012 Kaye
 8,088,291 B2 1/2012 Hershberger
 8,100,874 B1 1/2012 Jordan
 8,366,694 B1 2/2013 Jordan
 8,465,439 B2 6/2013 Parks
 D690,826 S * 10/2013 Kuroda D24/224
 8,801,682 B2 * 8/2014 Kensy A61M 1/0001
 210/232
 8,845,605 B2 * 9/2014 Hensler A61M 1/0056
 604/317
 8,858,518 B2 * 10/2014 Schafer A61M 1/0005
 604/317
 8,920,393 B2 * 12/2014 Hensler A61M 1/0056
 604/319
 D731,672 S * 6/2015 Kuroda D24/224
 9,220,485 B2 * 12/2015 Parks A61M 1/0056
 D755,922 S * 5/2016 Sherman D23/209
 9,332,969 B2 * 5/2016 Han A61B 10/0096
 9,358,327 B1 * 6/2016 Venturi A61M 1/0068
 2003/0086830 A1 * 5/2003 Haywood B01L 3/502
 422/547
 2004/0087918 A1 5/2004 Johnson
 2007/0038146 A1 2/2007 Quick
 2011/0106029 A1 5/2011 Garren
 2011/0262405 A1 10/2011 Segina
 2015/0359949 A1 12/2015 Yeager

* cited by examiner

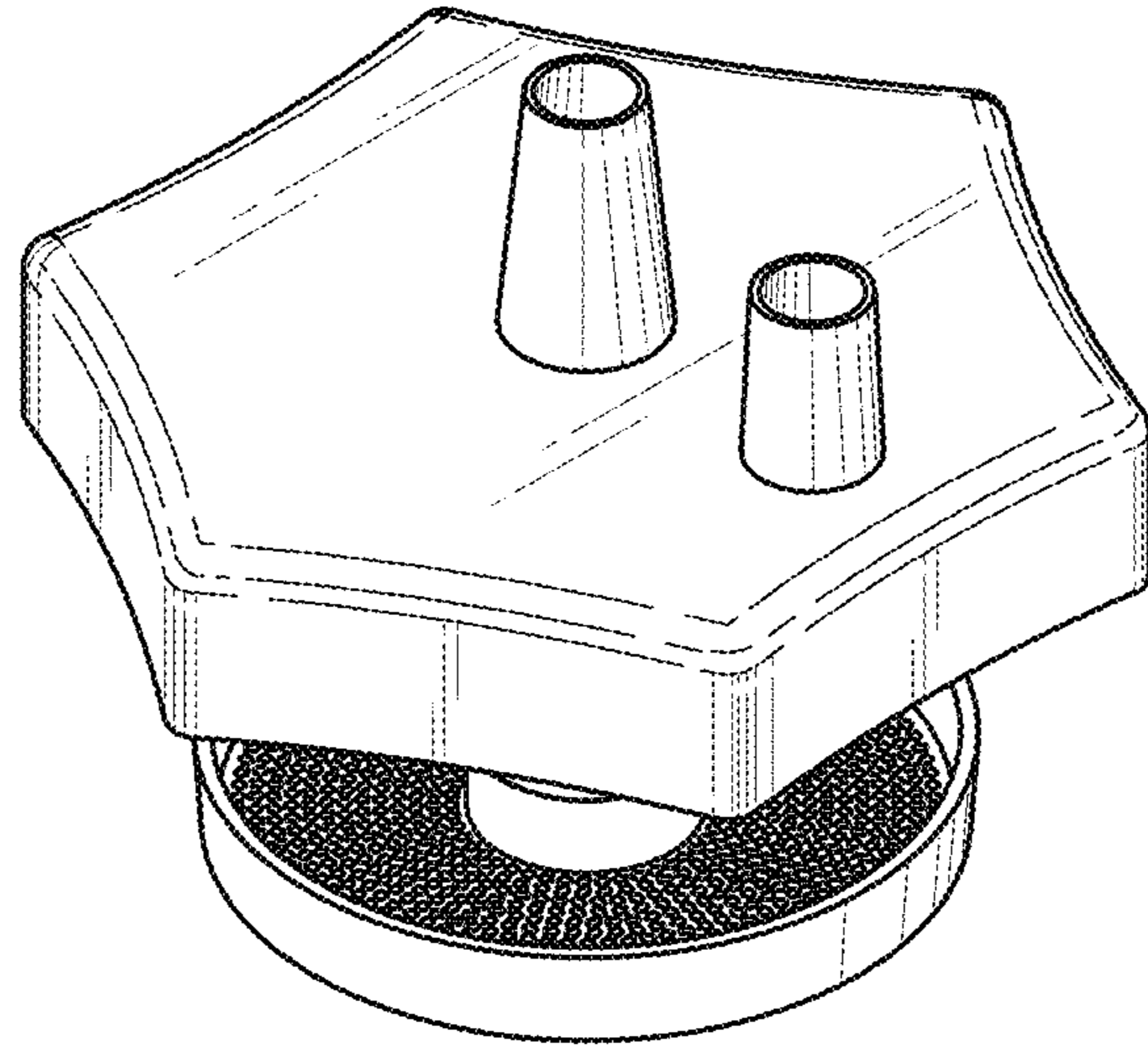


FIG. 1

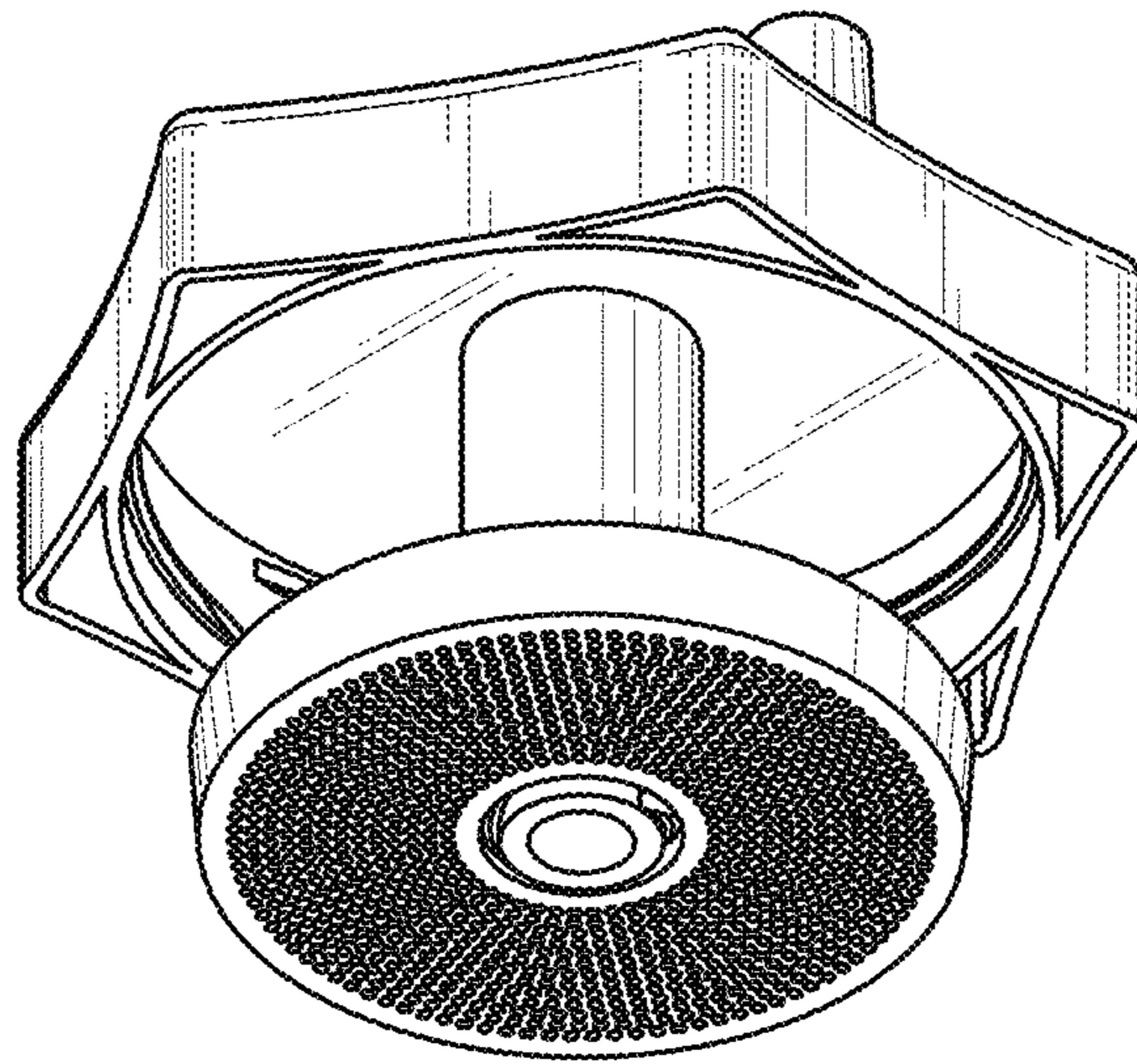


FIG. 2

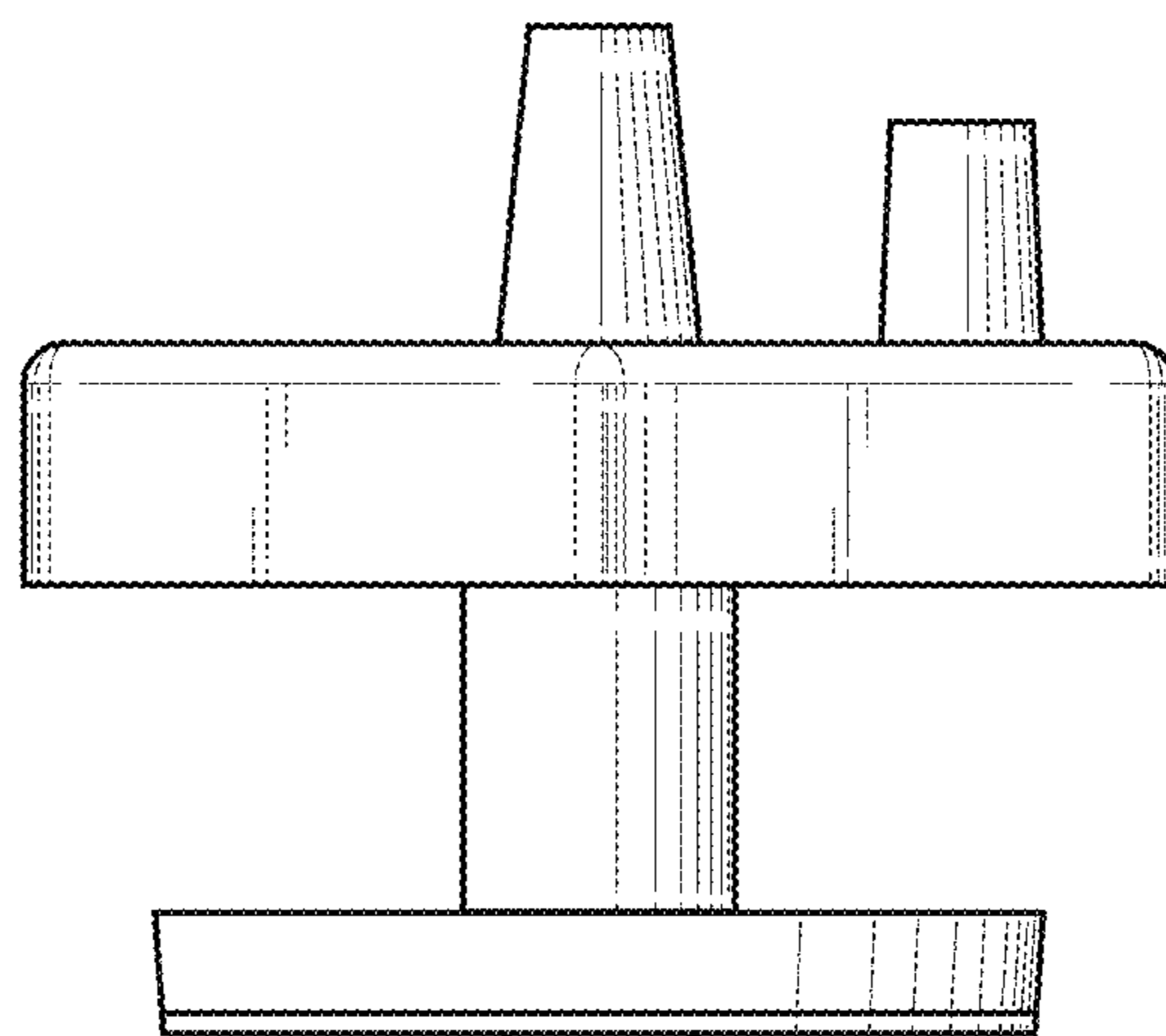


FIG. 3

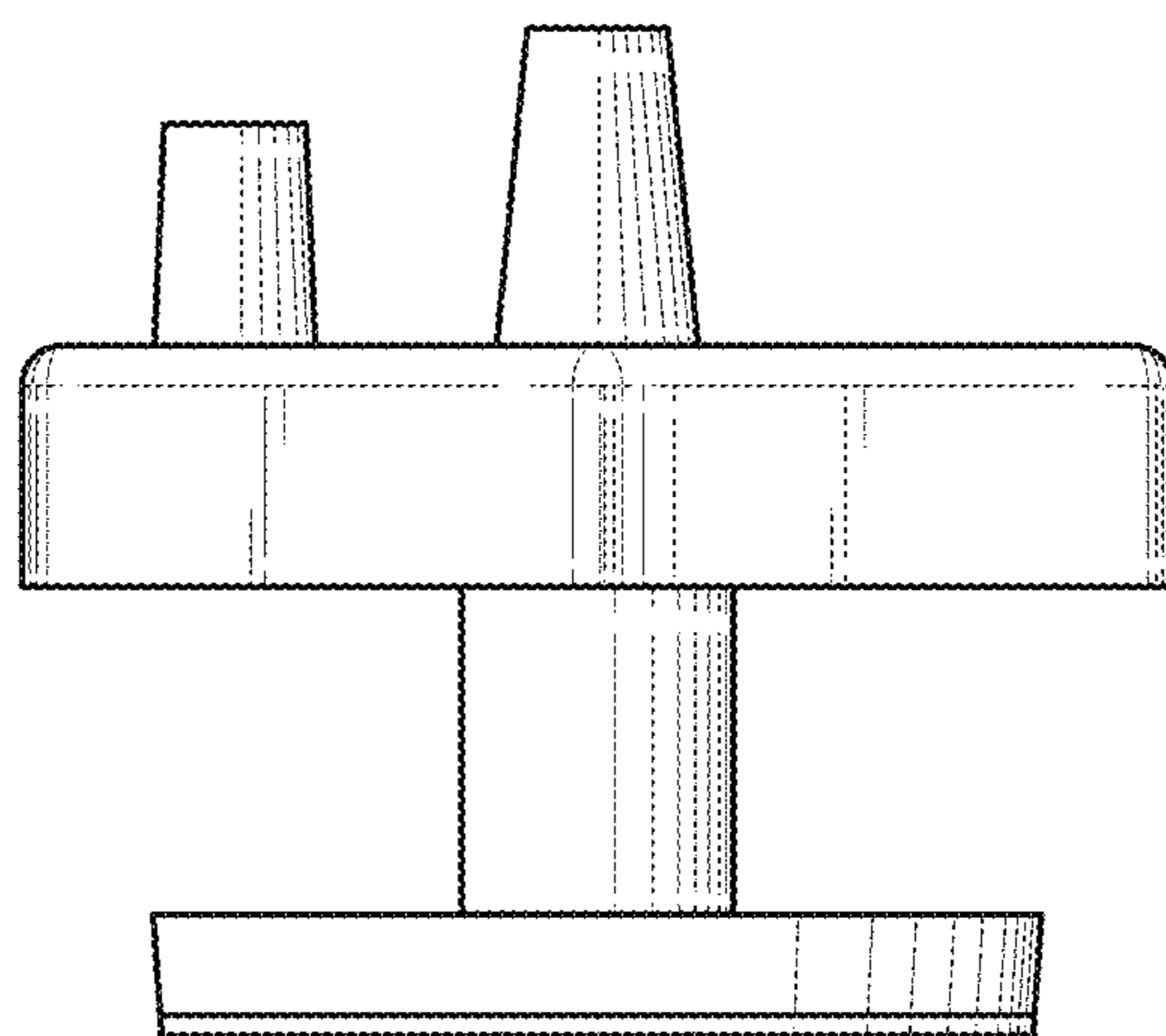


FIG. 4

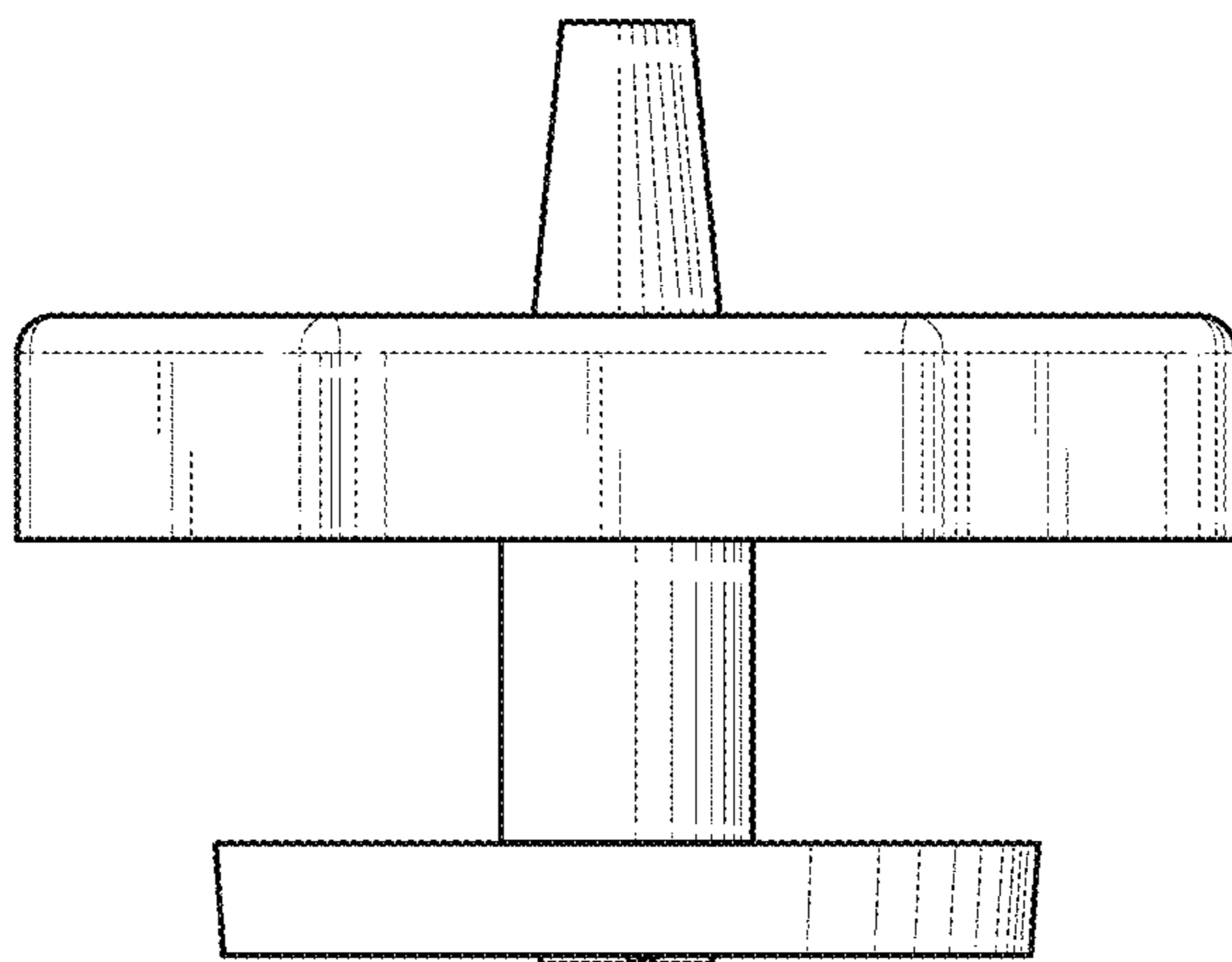


FIG. 5

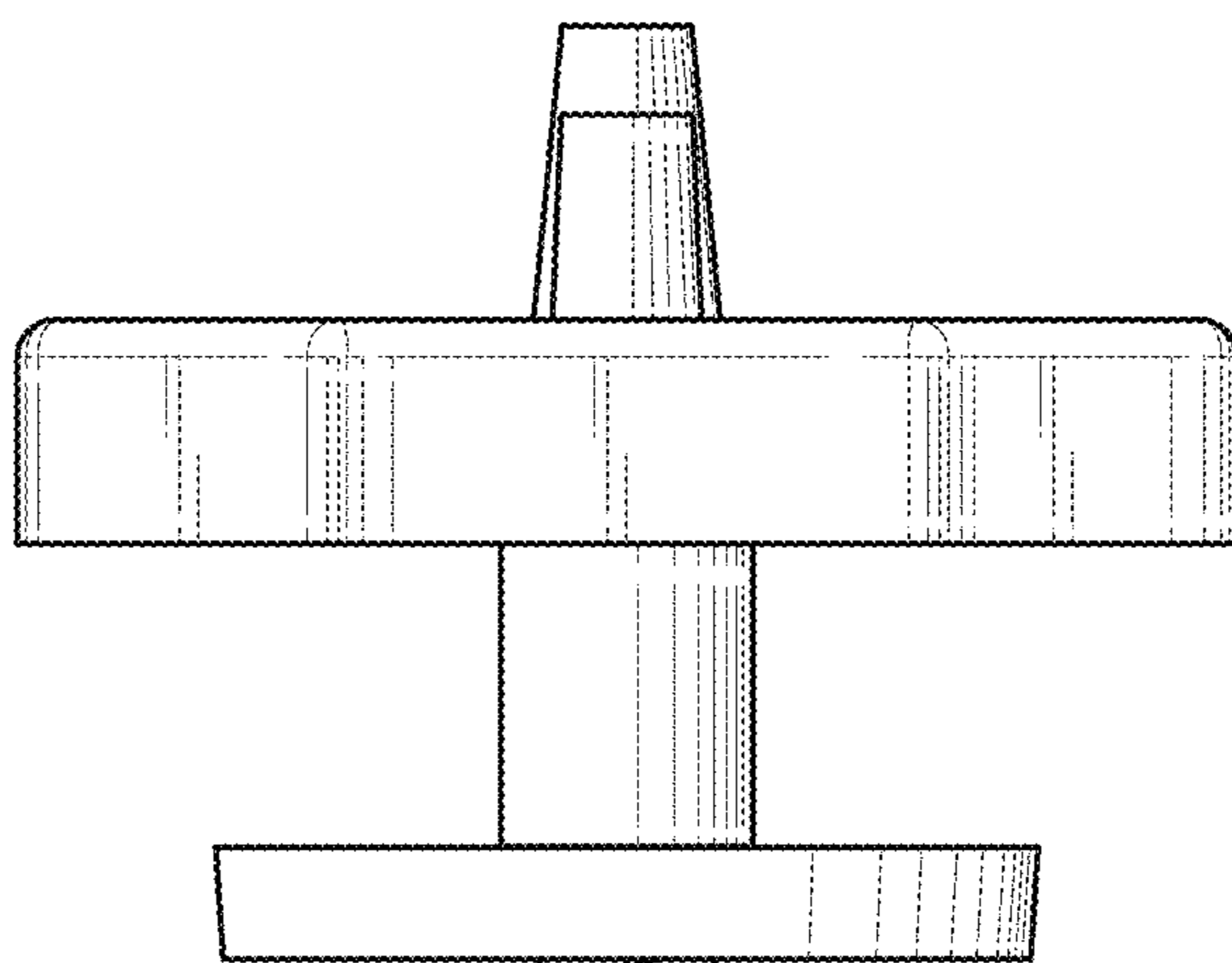


FIG. 6

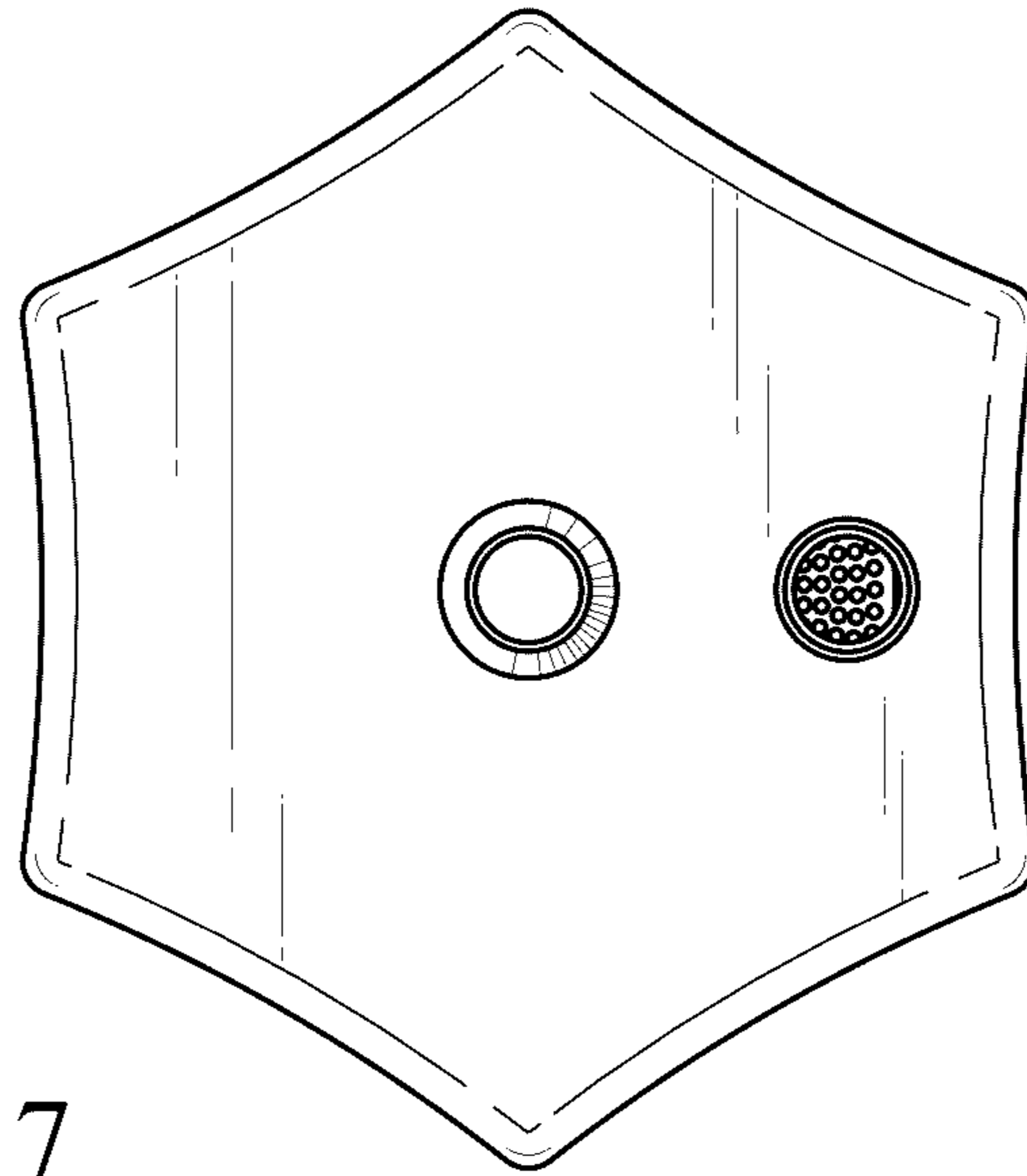


FIG. 7

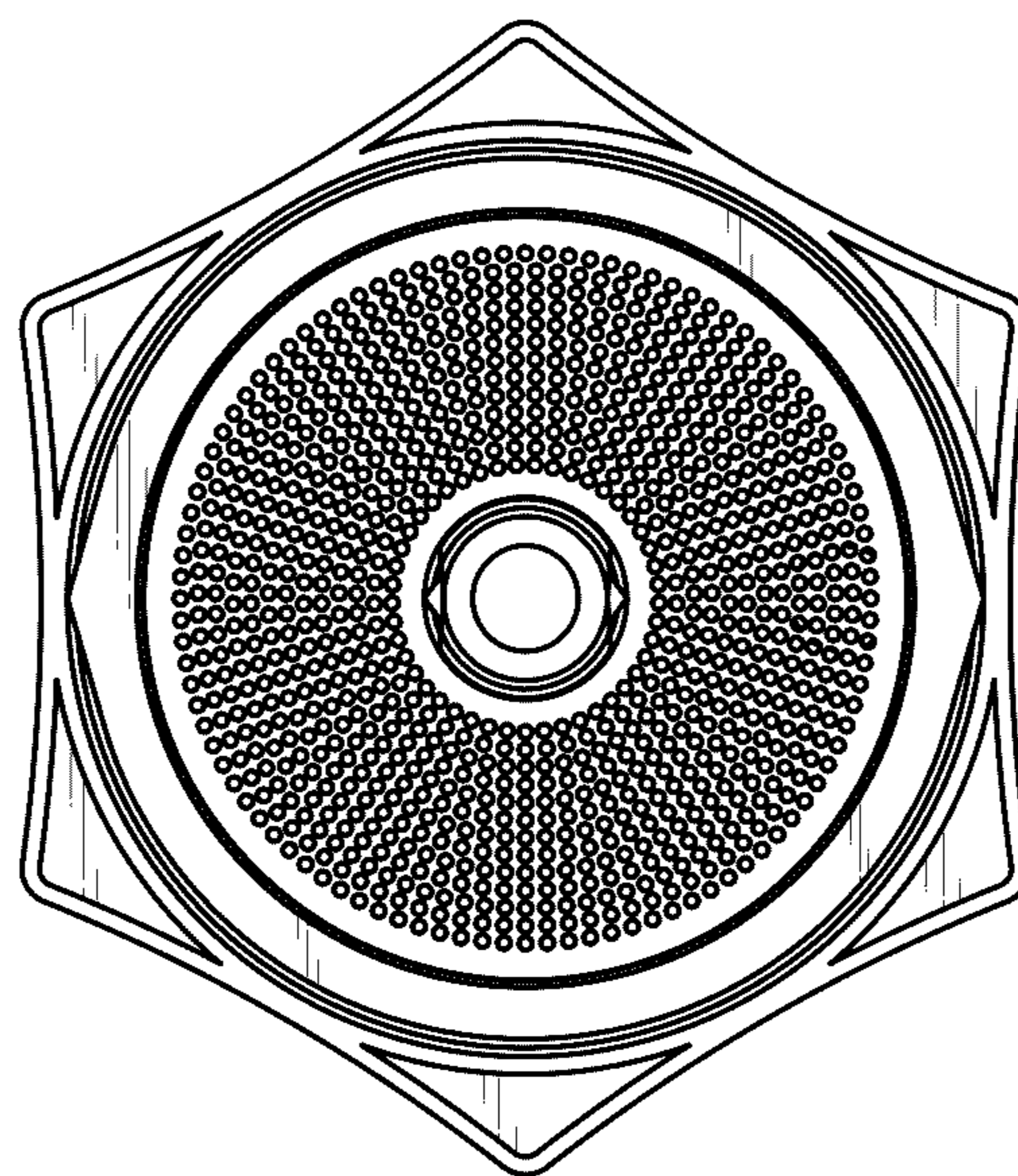


FIG. 8

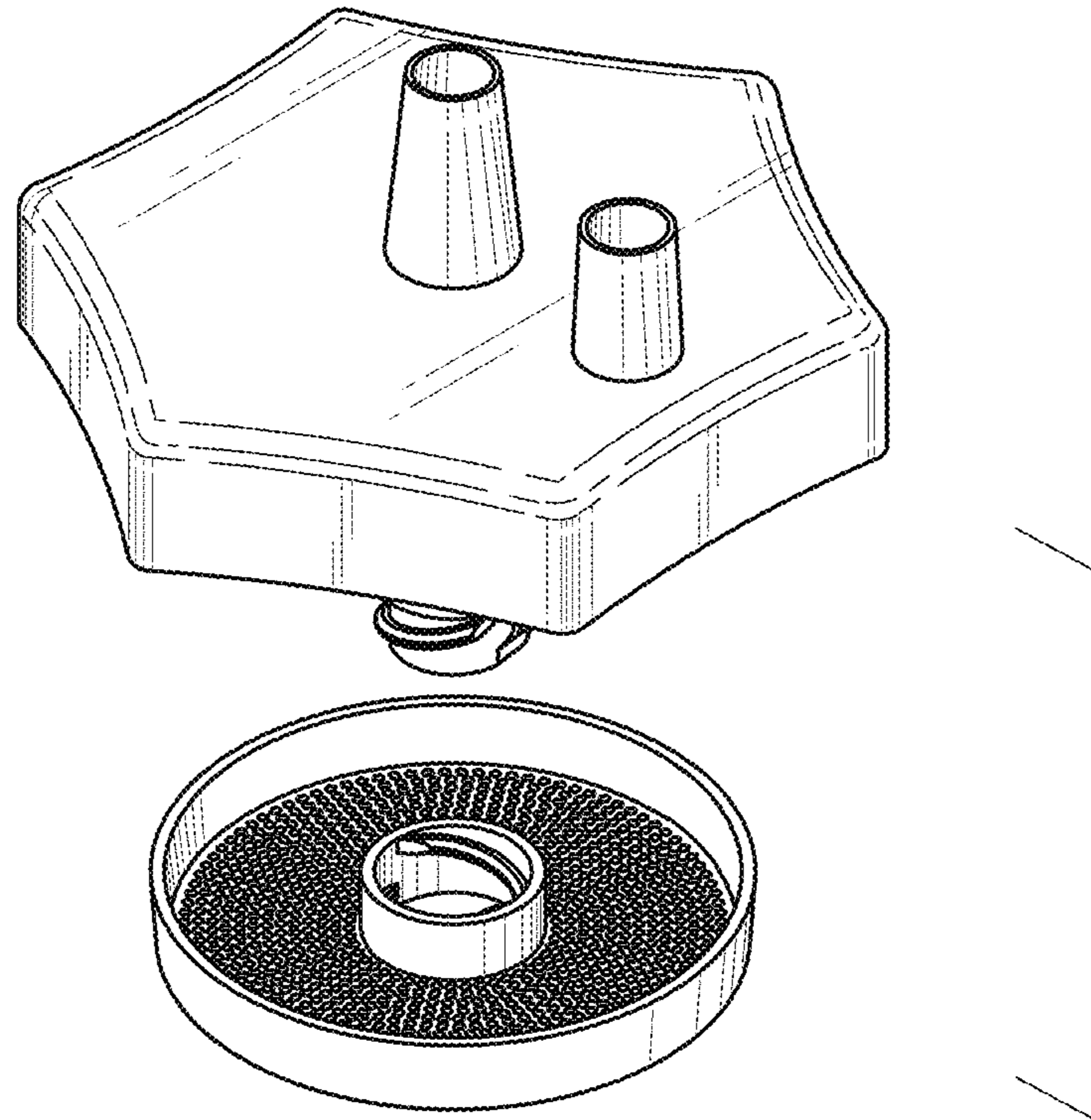


FIG. 9

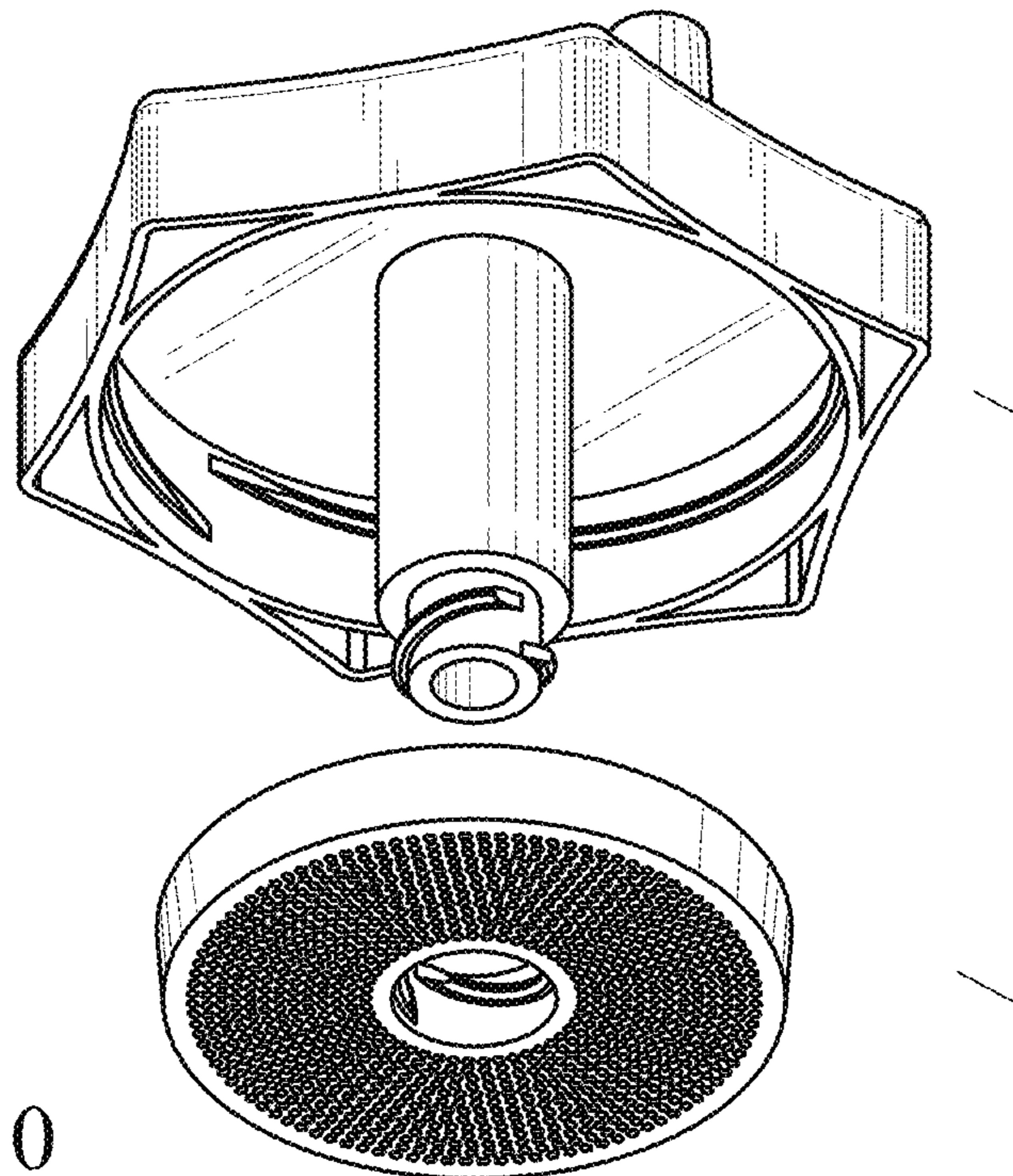


FIG. 10

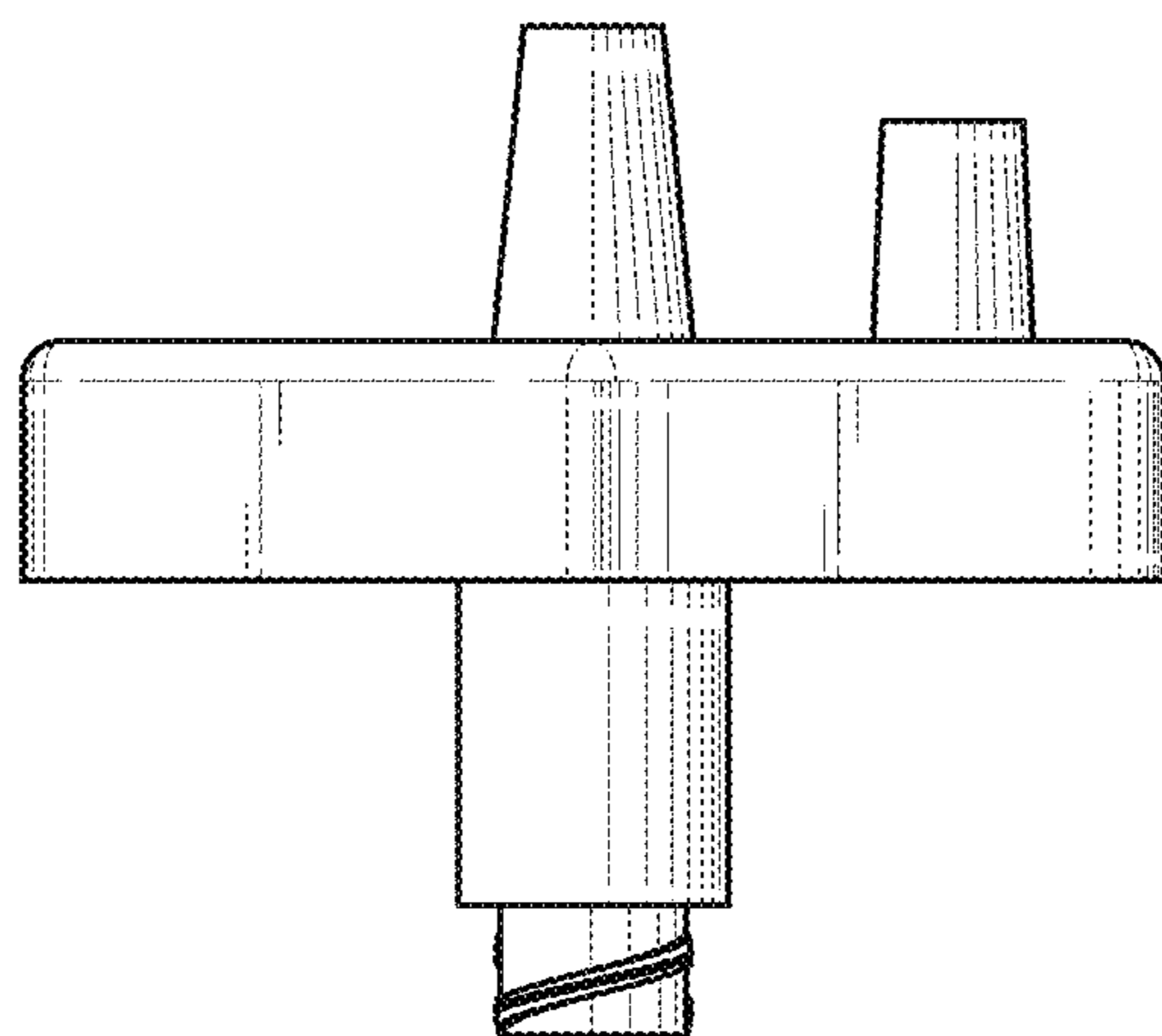


FIG. 11

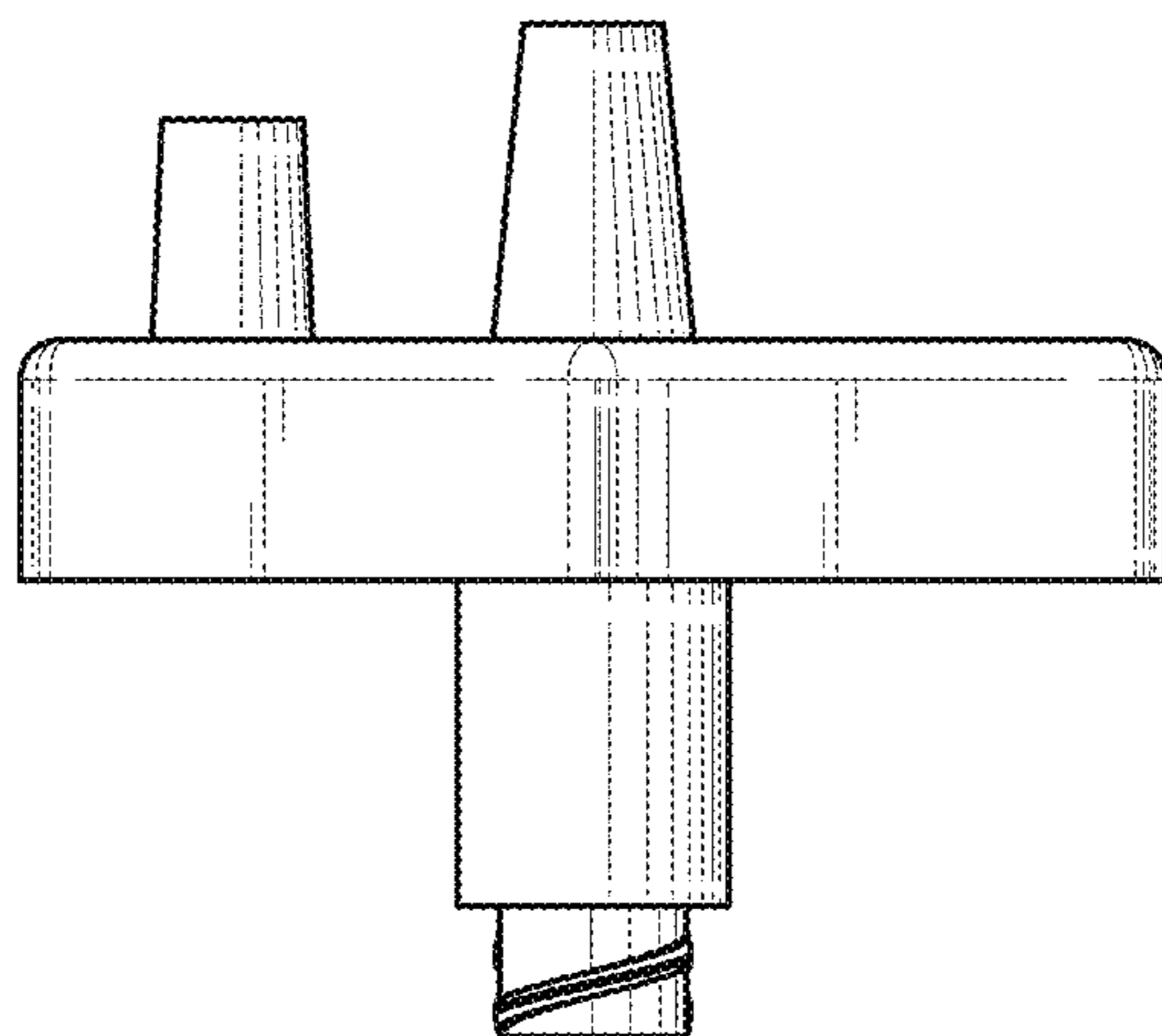


FIG. 12

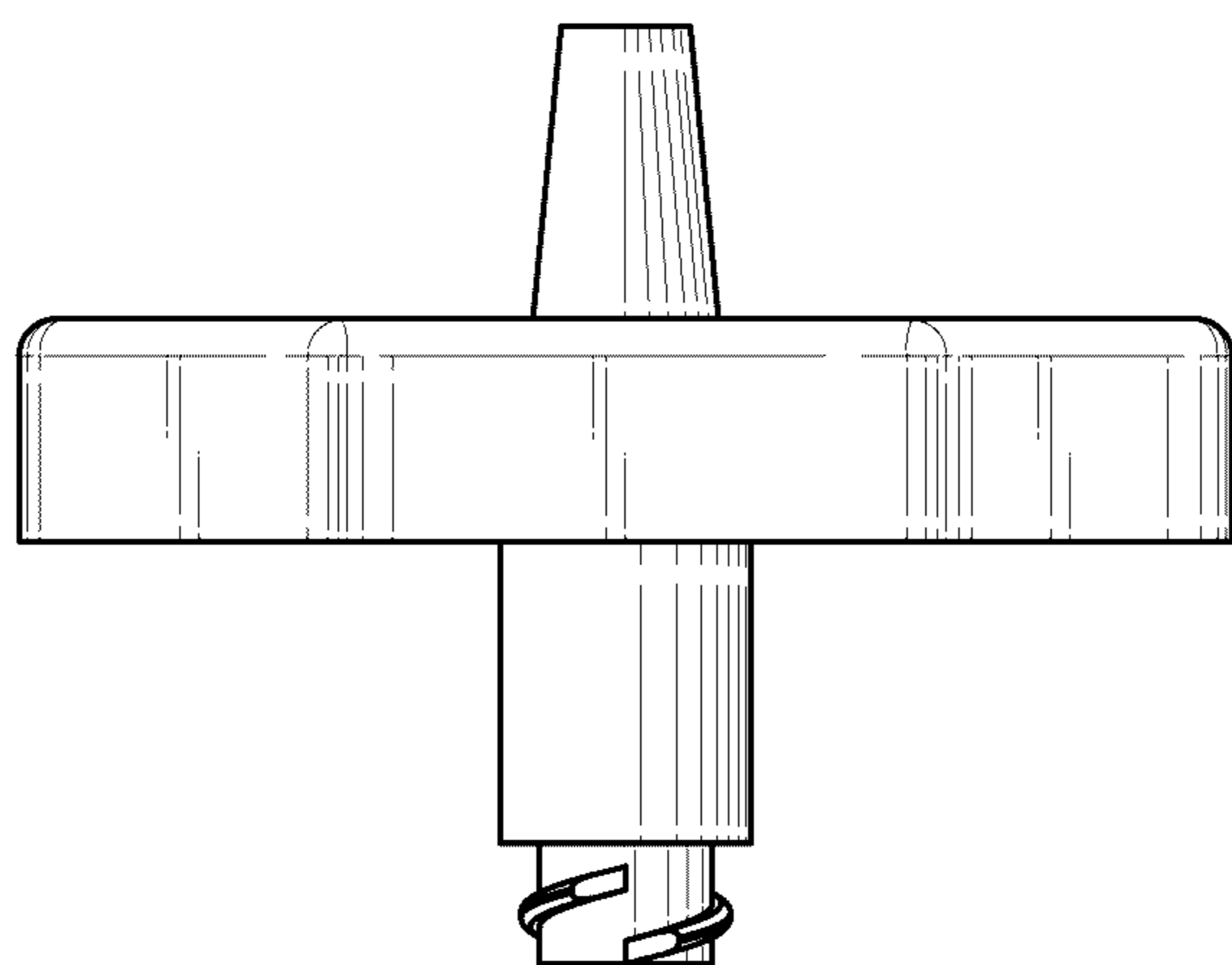


FIG. 13

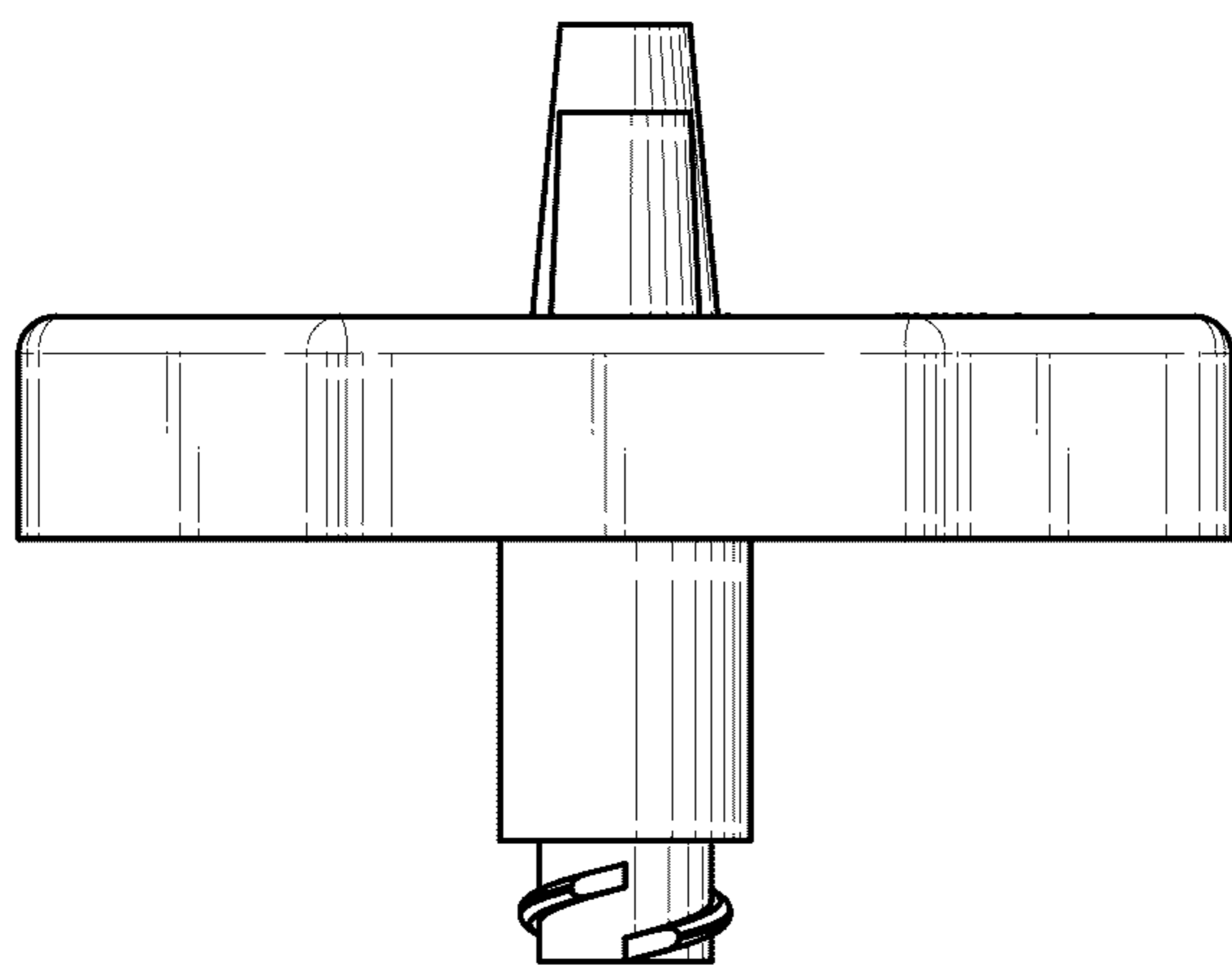


FIG. 14

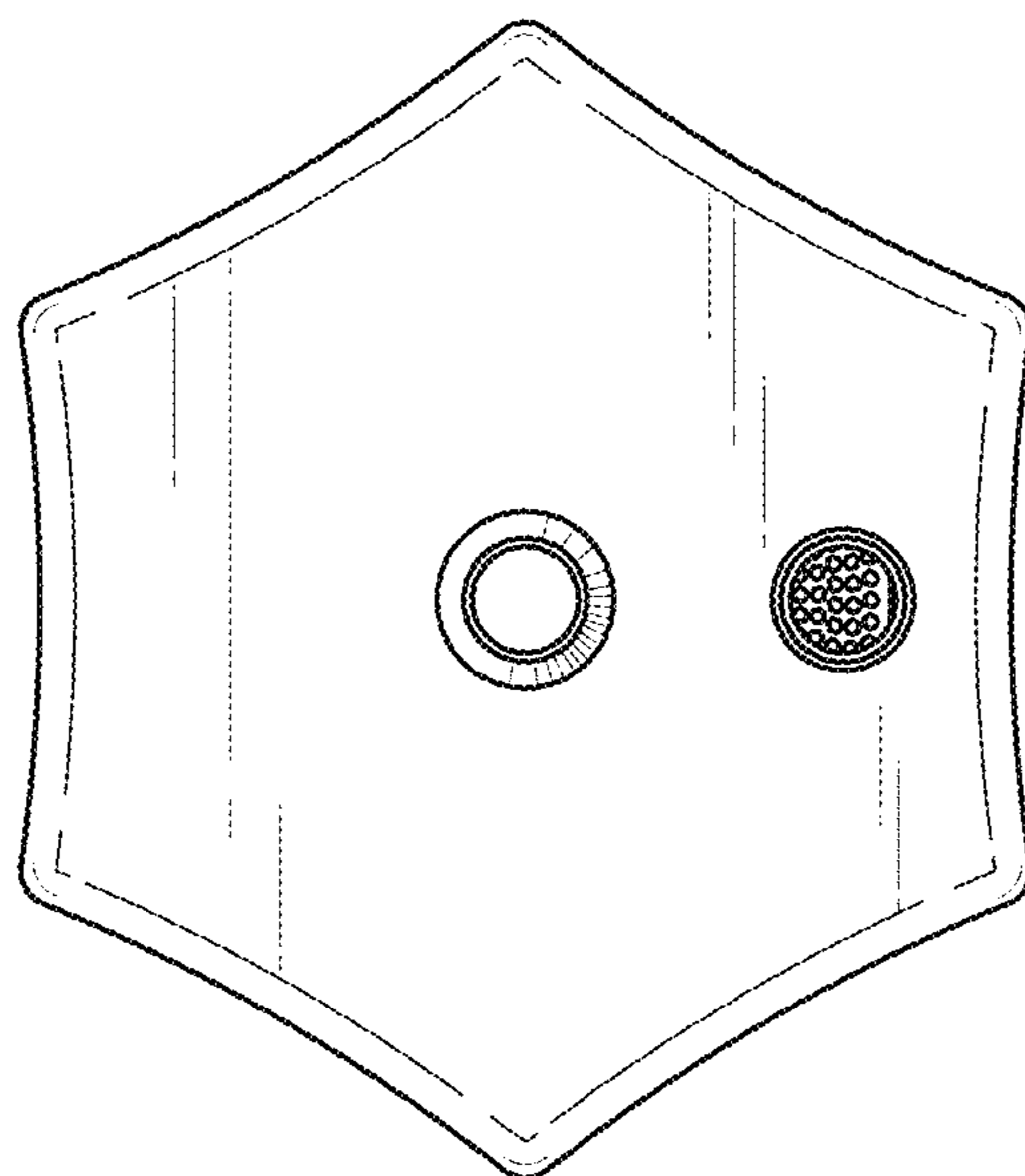


FIG. 15

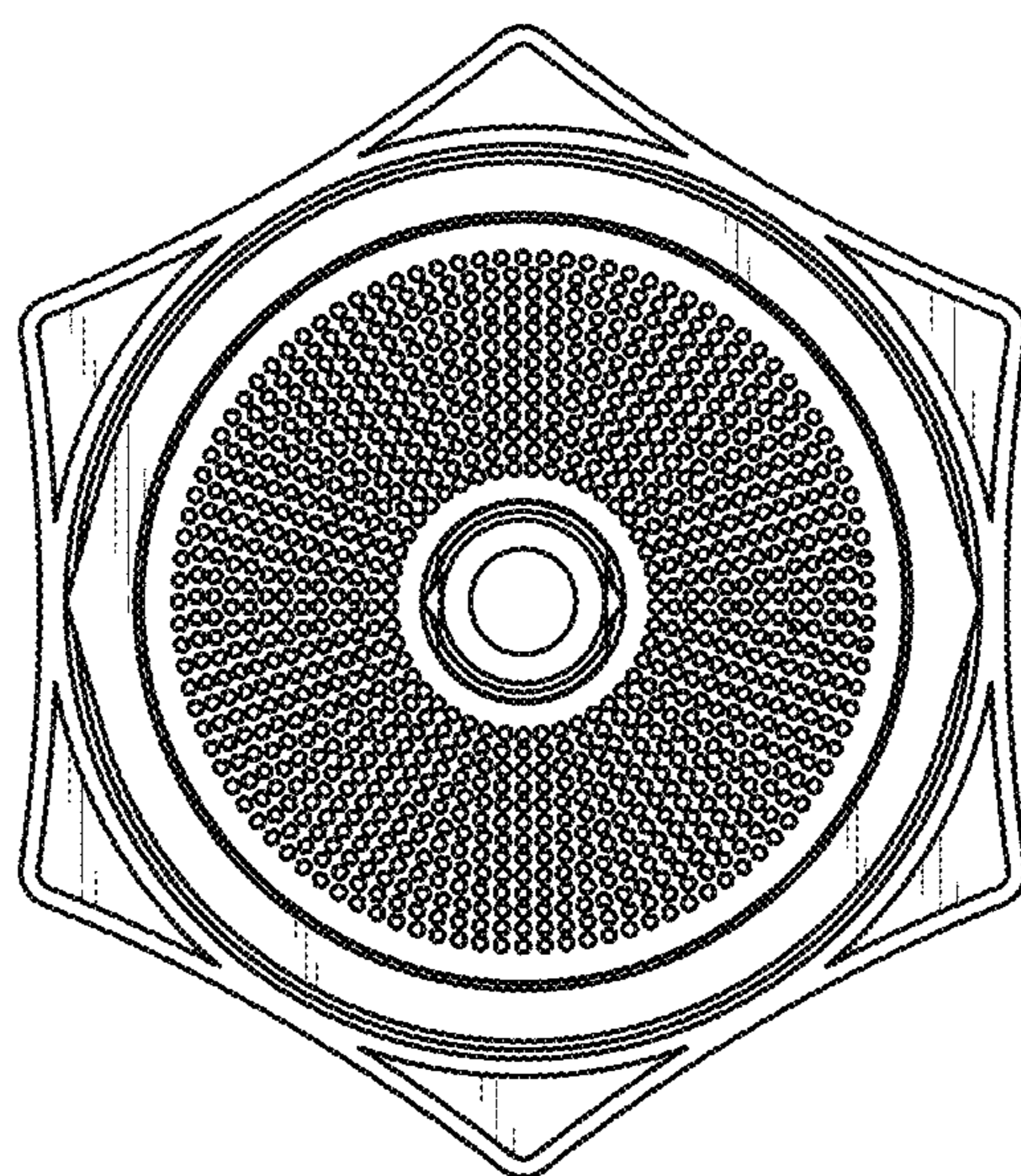


FIG. 16

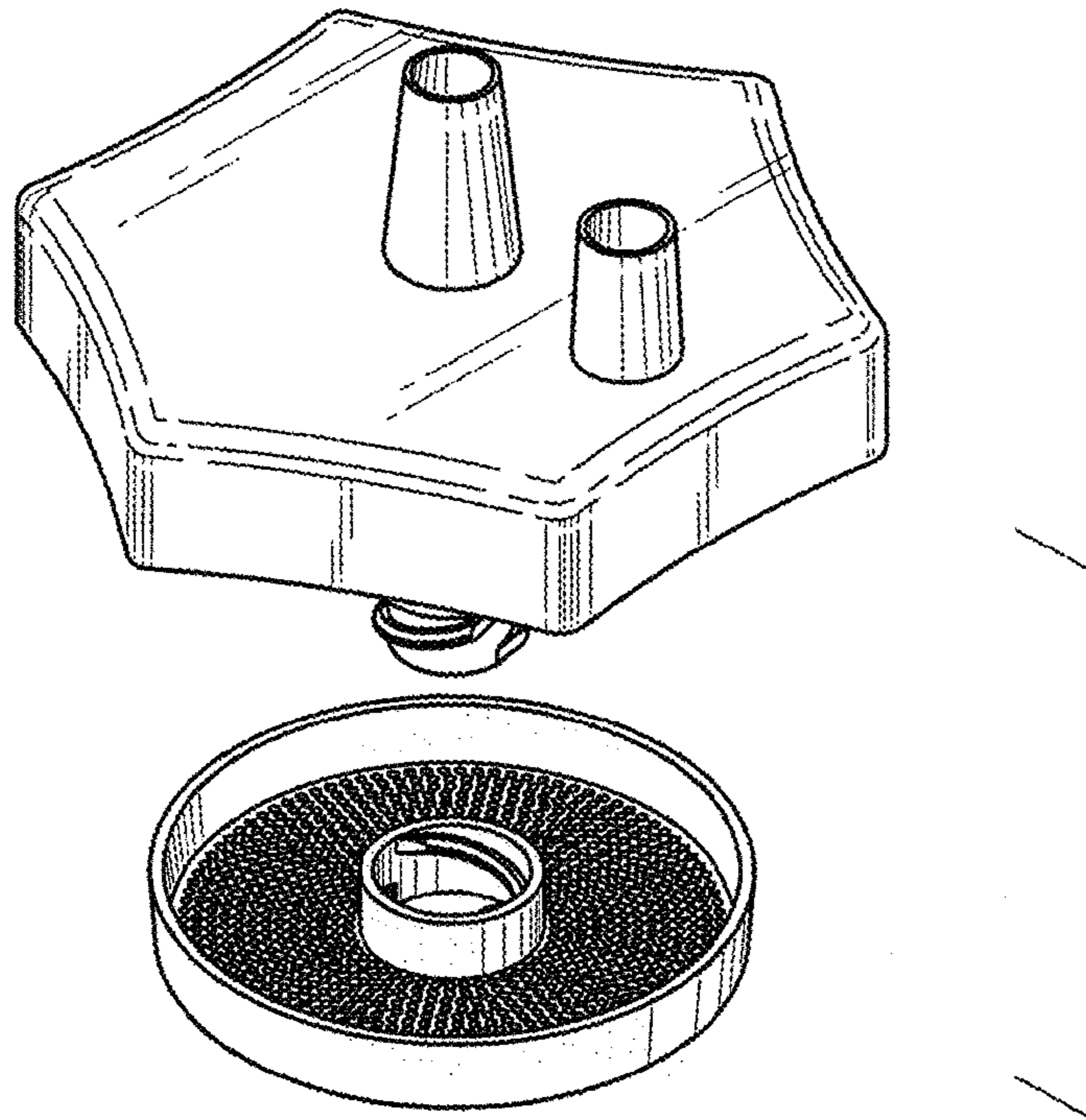


FIG. 17

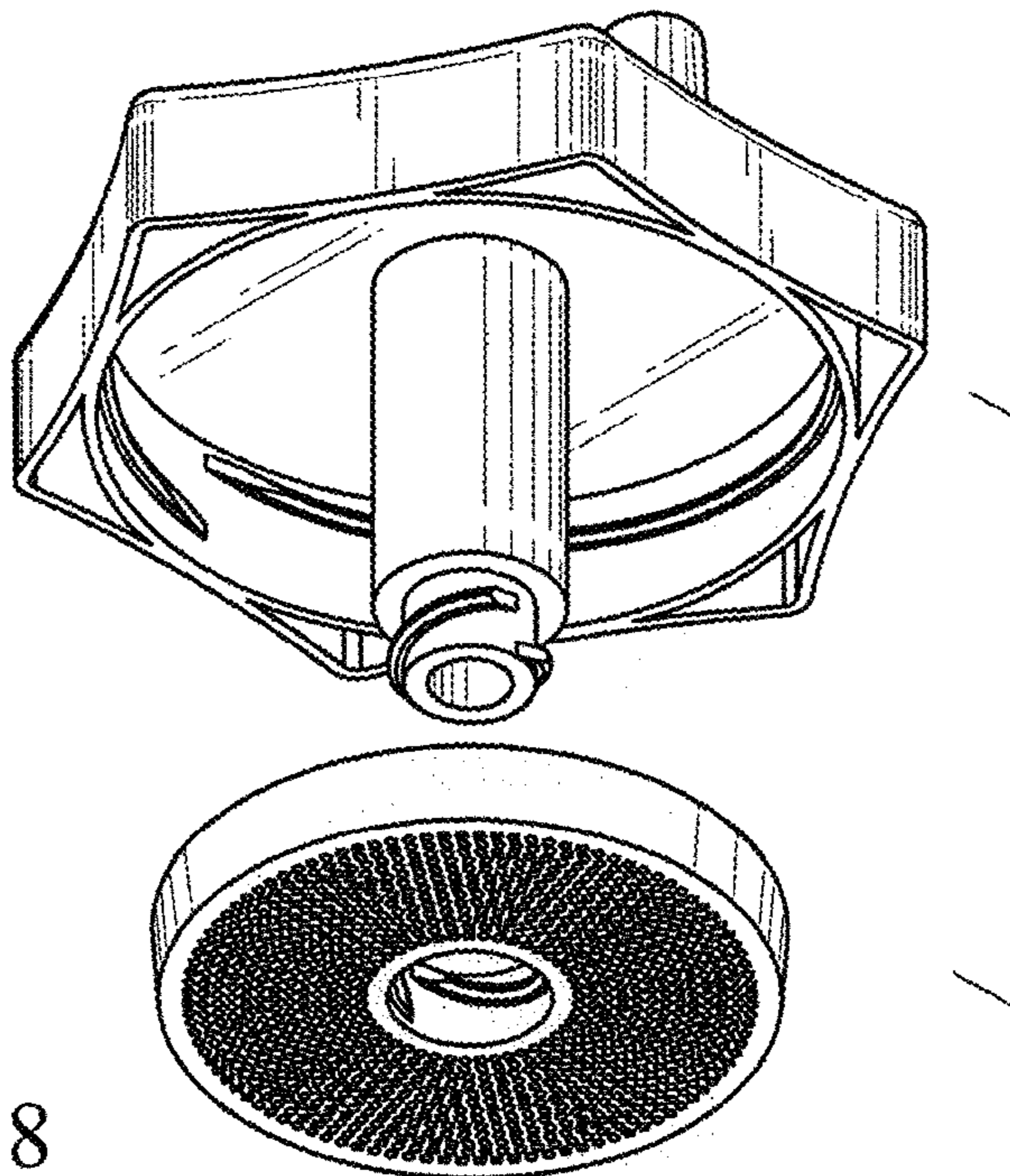


FIG. 18

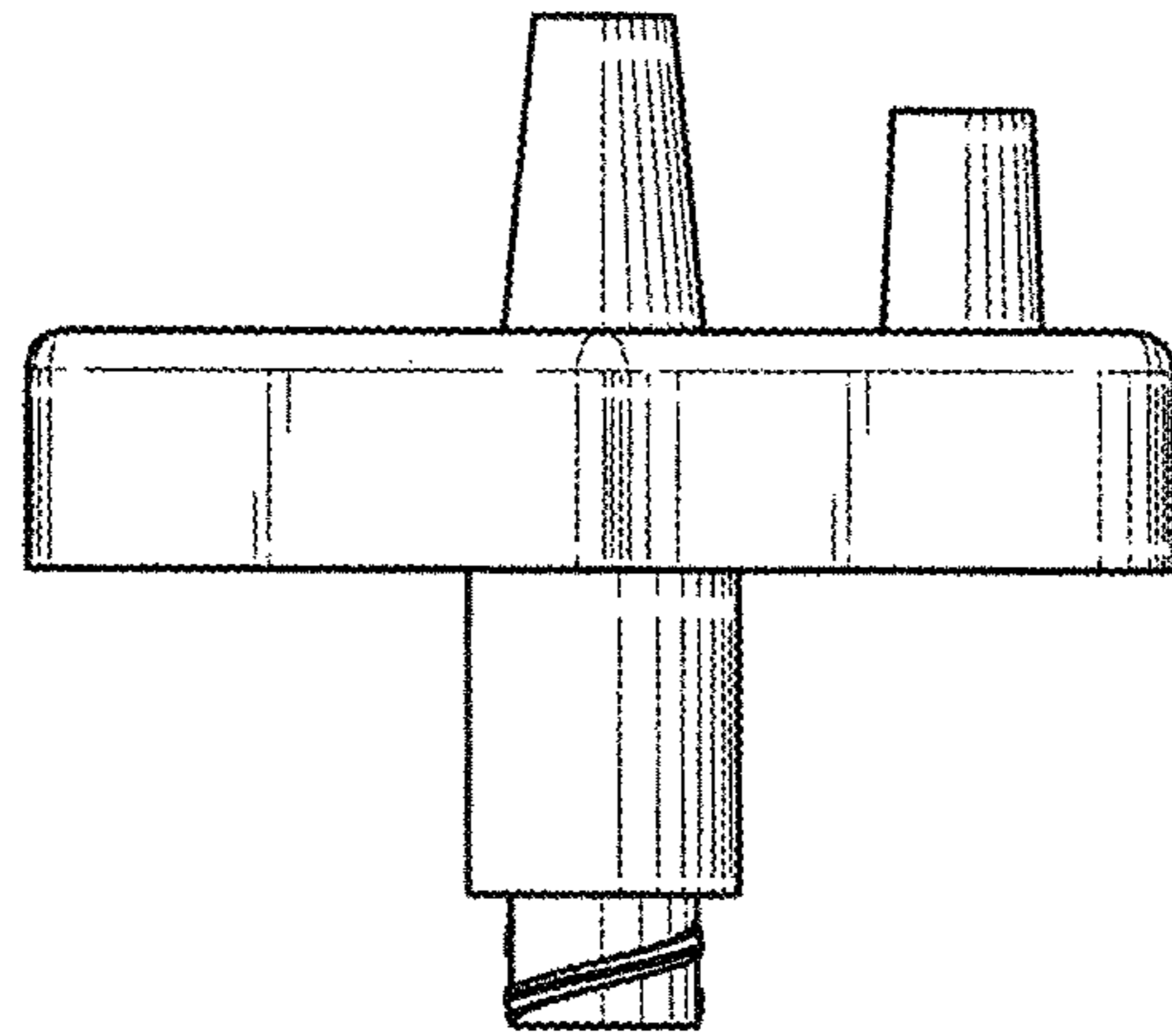


FIG. 19

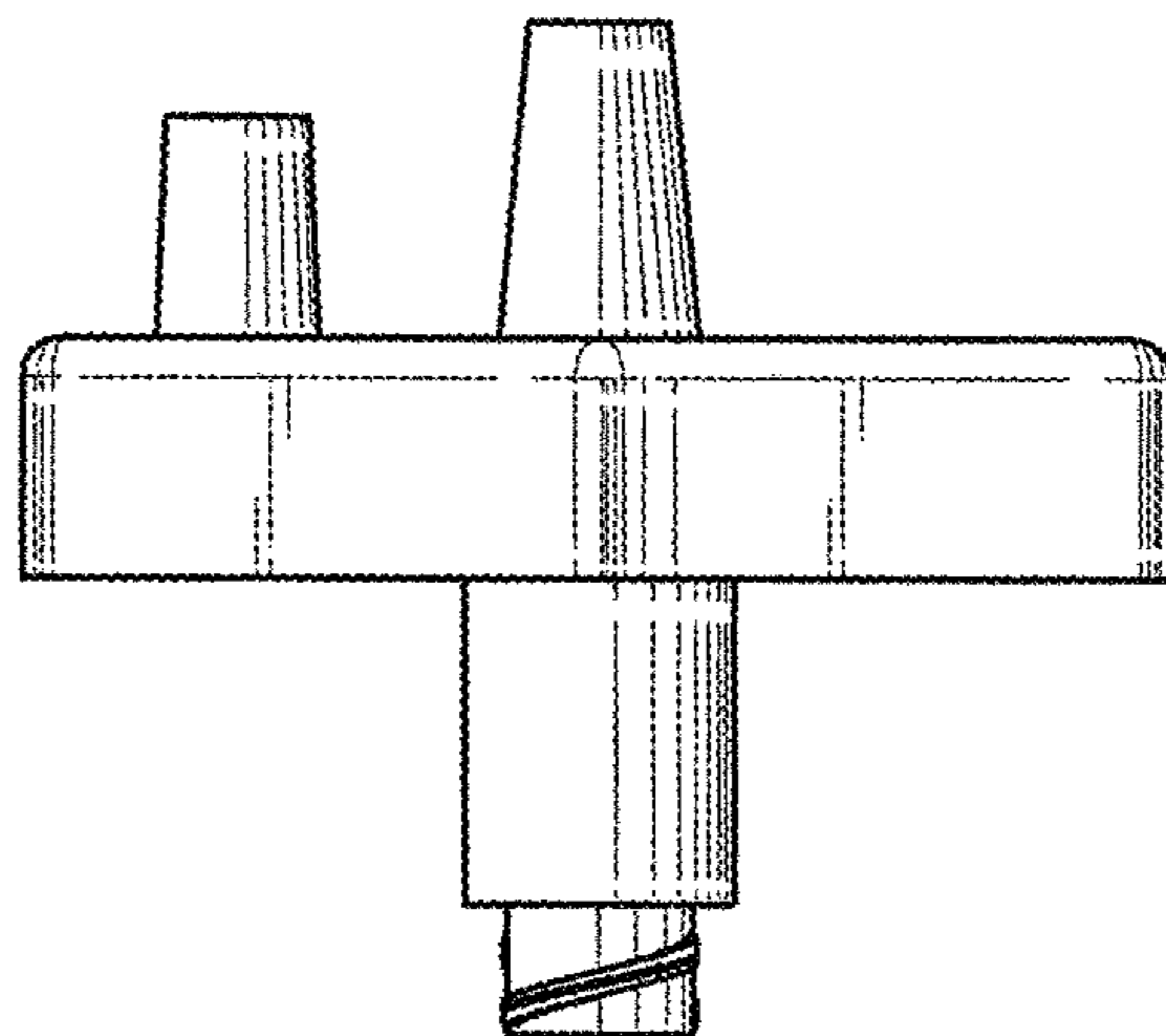


FIG. 20

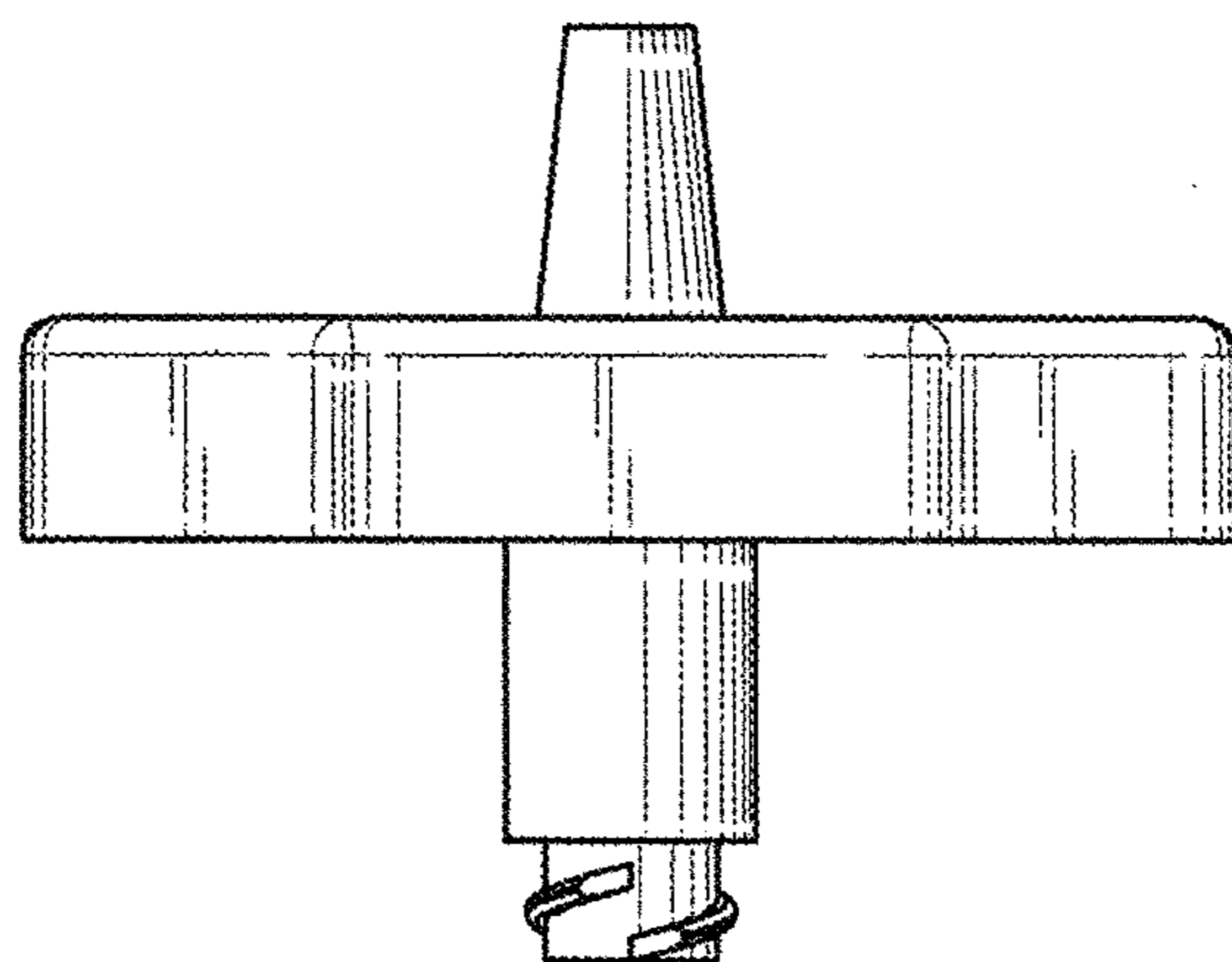


FIG. 21

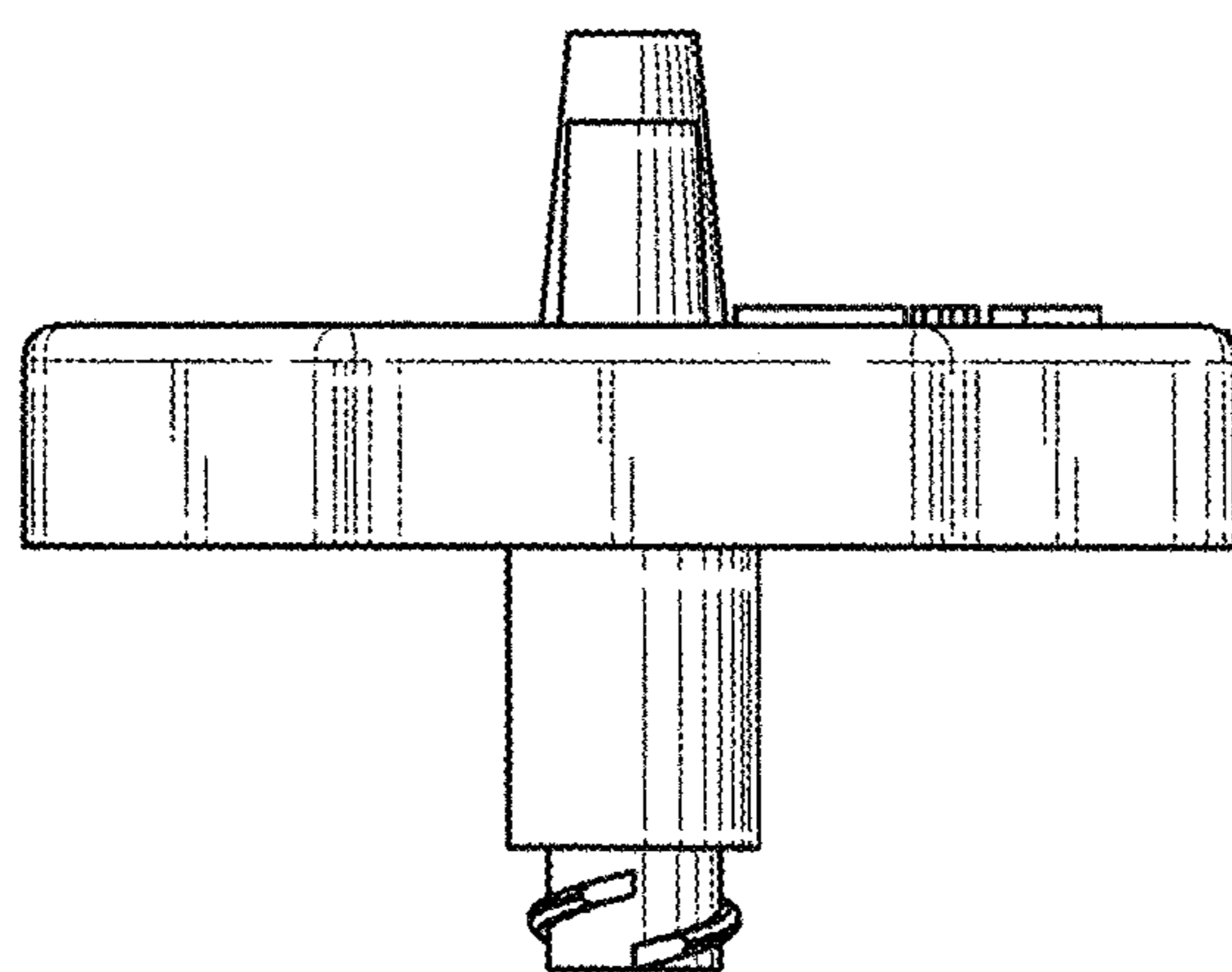


FIG. 22

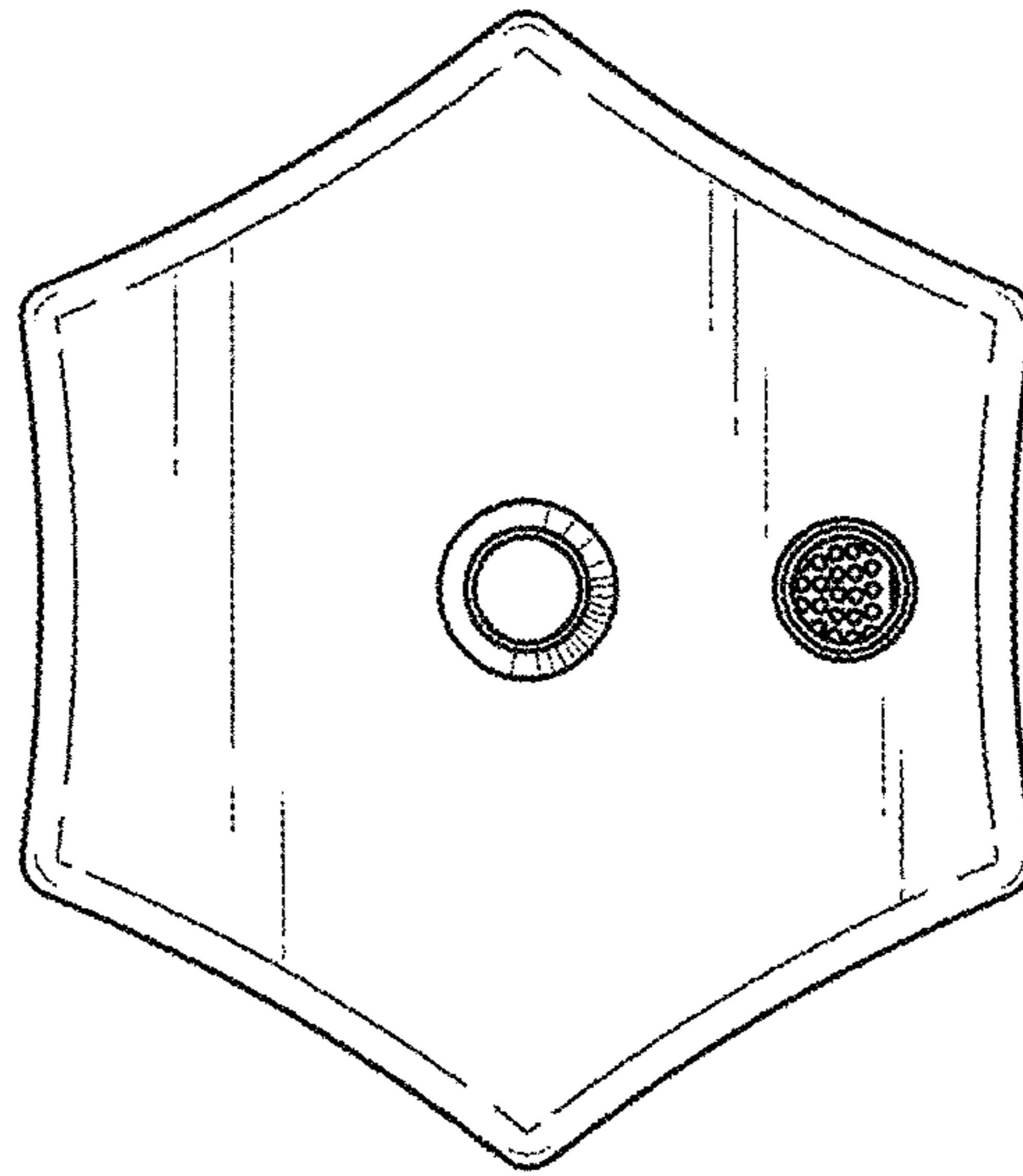


FIG. 23

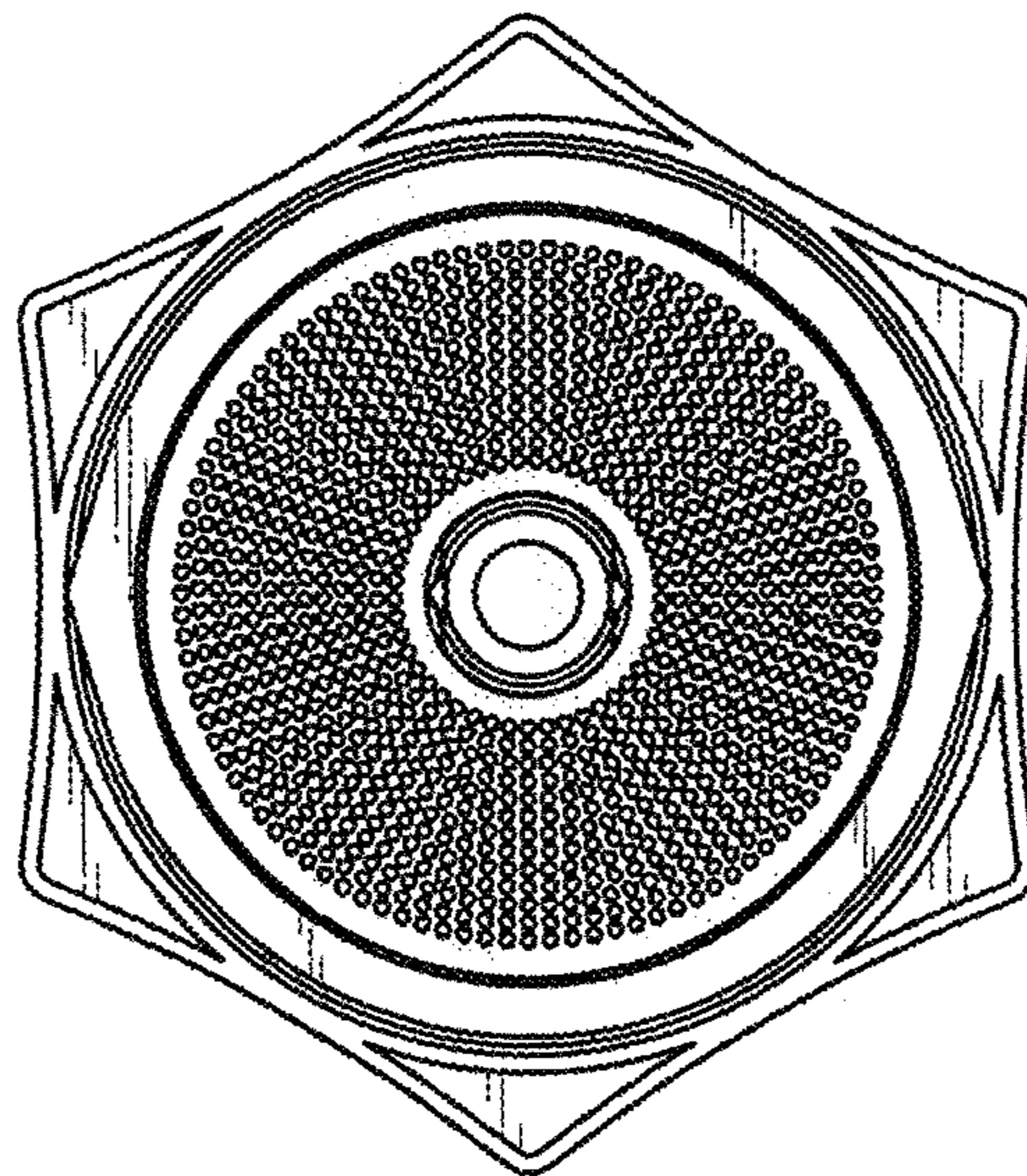


FIG. 24