



US00D771831S

(12) **United States Design Patent** (10) **Patent No.:** **US D771,831 S**  
**Barnard et al.** (45) **Date of Patent:** **\*\* Nov. 15, 2016**

- (54) **WAND**
- (71) Applicant: **Lotions Limited, LLC**, Madison, WI (US)
- (72) Inventors: **Ellen L. Barnard**, Madison, WI (US);  
**Myrtle Wilhite**, Madison, WI (US)
- (73) Assignee: **Lotions Limited, LLC**, Madison, WI (US)
- (\*\*) Term: **15 Years**
- (21) Appl. No.: **29/541,408**
- (22) Filed: **Oct. 2, 2015**
- (51) **LOC (10) Cl.** ..... **28-03**
- (52) **U.S. Cl.**  
USPC ..... **D24/215**
- (58) **Field of Classification Search**  
USPC ..... D24/200, 211, 212, 213, 214, 215;  
601/19, 27-32, 46, 48, 52, DIG. 12,  
601/DIG. 14, DIG. 15, DIG. 16, DIG. 17, 99,  
601/112, 113, 118, 119, 120, 121;  
D30/160; D14/218  
CPC ..... A61H 19/30; A61H 19/32; A61H 19/34;  
A61H 19/40; A61H 19/44; A61H 19/50;  
A61H 19/00; A61H 2201/0153; A61H  
2201/0207; A61H 2201/0263; A61H  
2201/0111; A61H 2201/1253; A61H  
2205/082; A61H 2205/085; A61H 15/0085;  
A61H 15/0092  
See application file for complete search history.

(56) **References Cited**  
U.S. PATENT DOCUMENTS

- D389,920 S \* 1/1998 Kennon ..... D24/200
- 7,604,587 B2 \* 10/2009 Manska ..... A61H 19/44  
600/38

- D618,361 S \* 6/2010 Cannon ..... D24/214
- D653,762 S \* 2/2012 Nan ..... D24/215
- D653,763 S \* 2/2012 Nan ..... D24/215
- D666,303 S \* 8/2012 Ding ..... D24/215
- D667,133 S \* 9/2012 Marshall ..... D24/215
- D687,961 S \* 8/2013 Marshall ..... D24/215
- D715,955 S \* 10/2014 Hsu ..... D24/215
- D752,298 S \* 3/2016 Stephens ..... D24/200
- 2013/0253386 A1 \* 9/2013 Nan ..... A61H 19/34  
601/46

\* cited by examiner

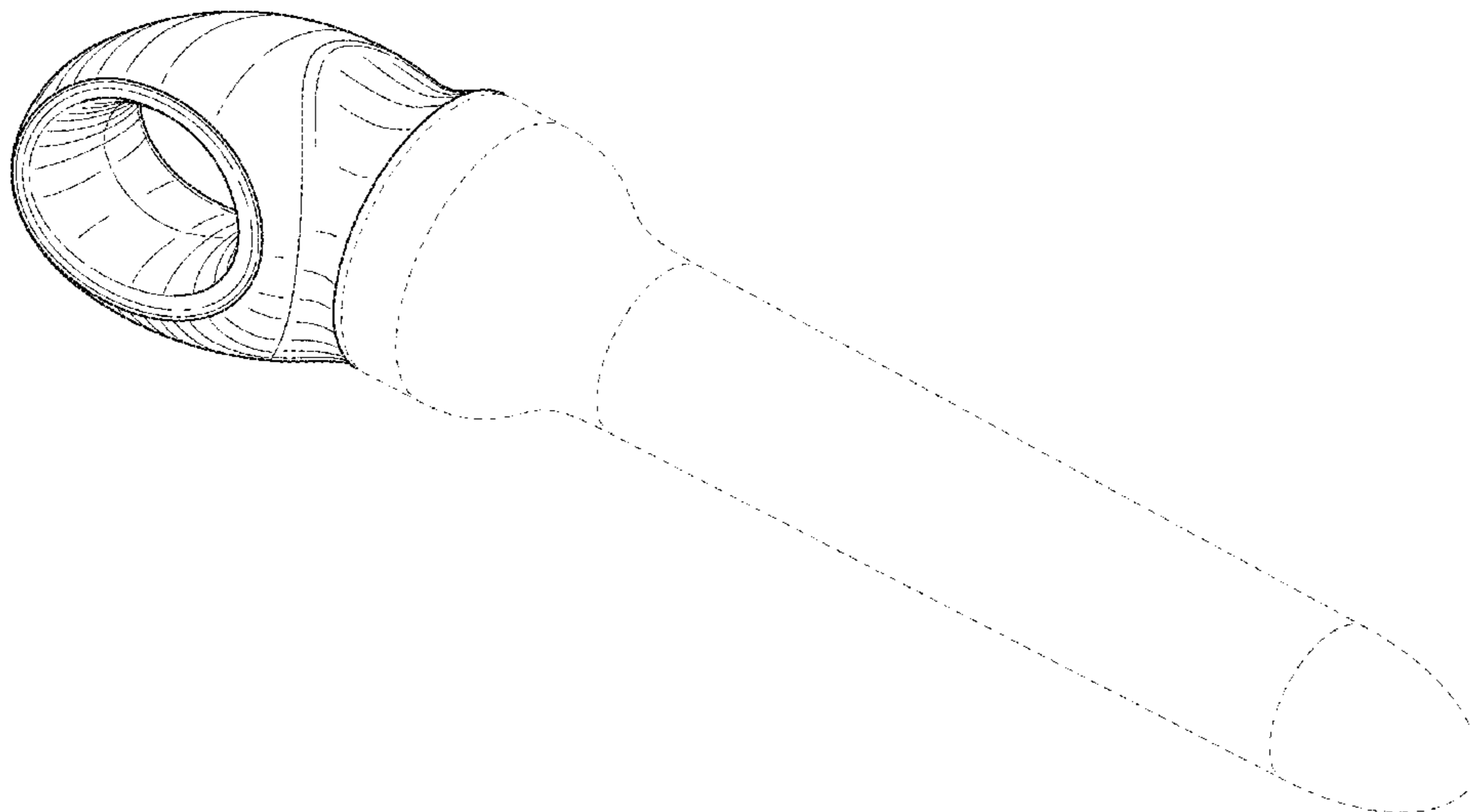
*Primary Examiner* — Sandra Snapp  
(74) *Attorney, Agent, or Firm* — Michael Best & Friedrich LLP

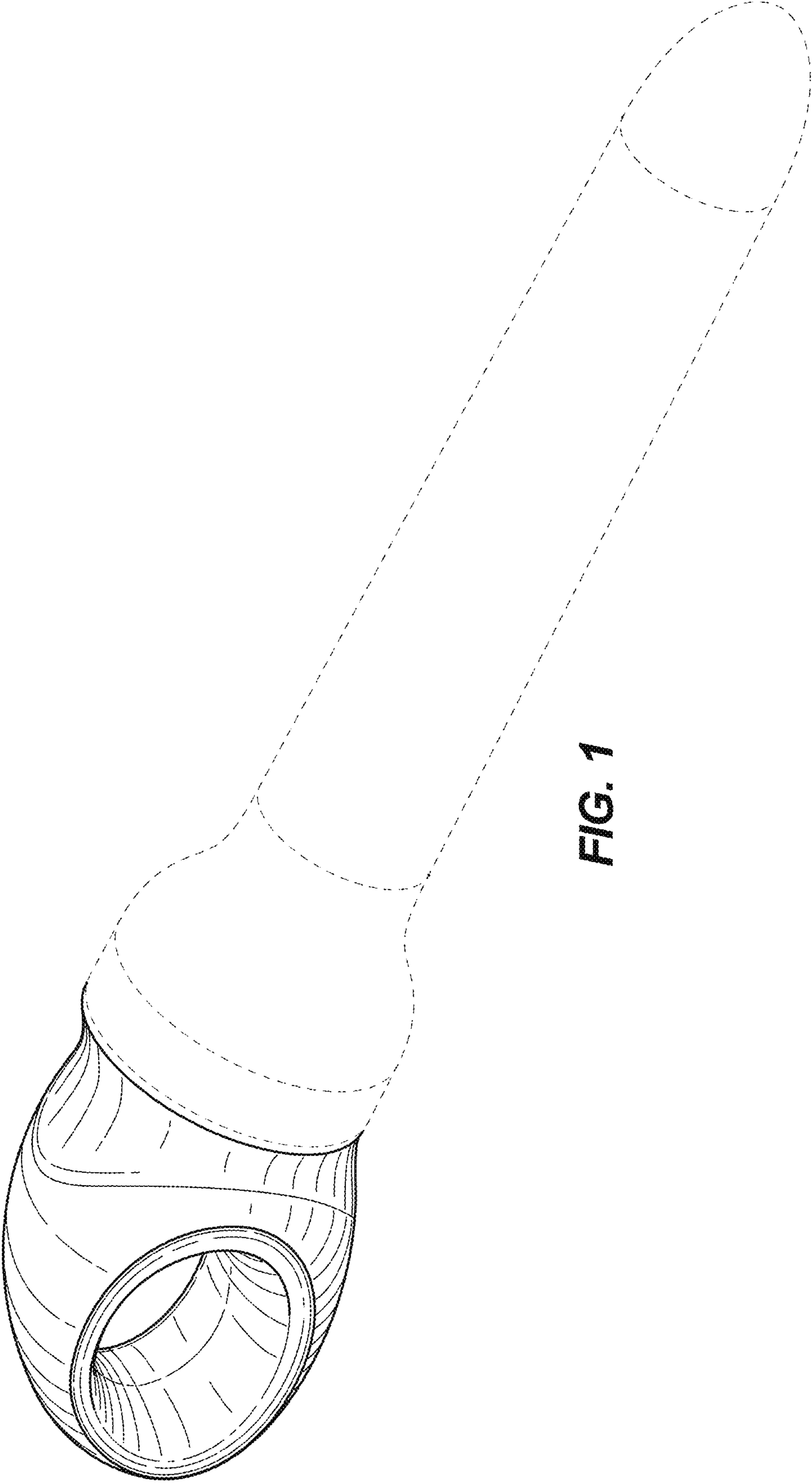
(57) **CLAIM**  
We claim the ornamental design for a wand, as shown and described.

**DESCRIPTION**

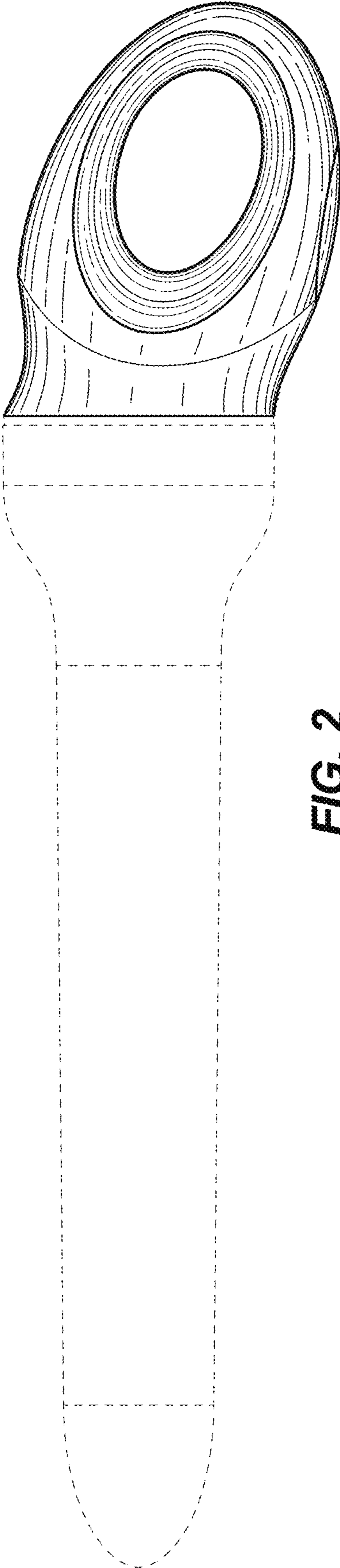
FIG. 1 is an isometric view of a first embodiment of a wand according to the new design;  
FIG. 2 is an elevation view of a first side thereof;  
FIG. 3 is an elevation view of a second side thereof;  
FIG. 4 is a top plan view thereof;  
FIG. 5 is a bottom plan view thereof;  
FIG. 6 is an elevation view of a first end thereof;  
FIG. 7 is an elevation view of a second end thereof;  
FIG. 8 is an isometric view of a second embodiment of a wand according to the new design;  
FIG. 9 is an elevation view of a first side thereof;  
FIG. 10 is an elevation view of a second side thereof;  
FIG. 11 is a top plan view thereof;  
FIG. 12 is a bottom plan view thereof;  
FIG. 13 is an elevation view of a first end thereof; and,  
FIG. 14 is an elevation view of a second end thereof.  
The broken lines shown in the figures are for illustrative purposes only and form no part of the claimed design.

**1 Claim, 8 Drawing Sheets**

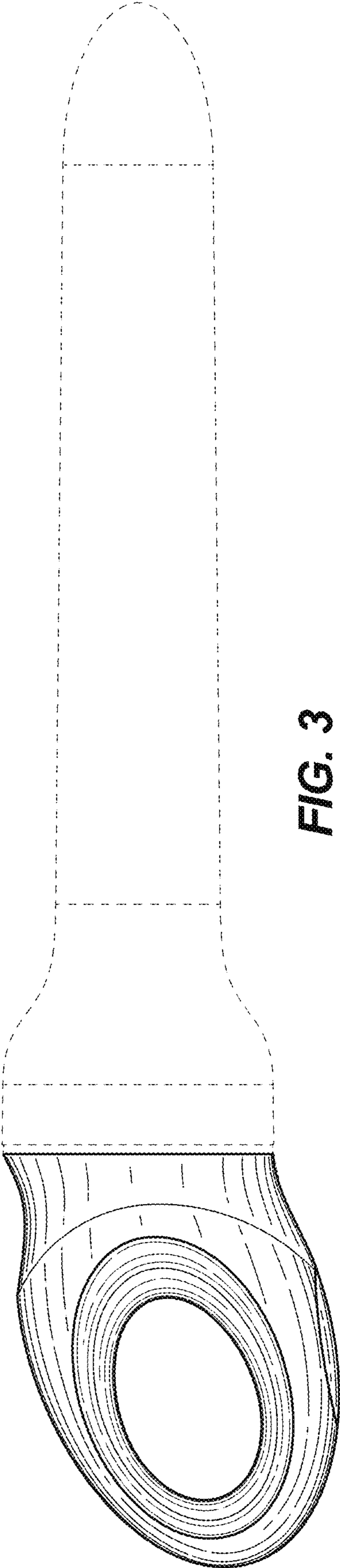




**FIG. 1**



**FIG. 2**



**FIG. 3**

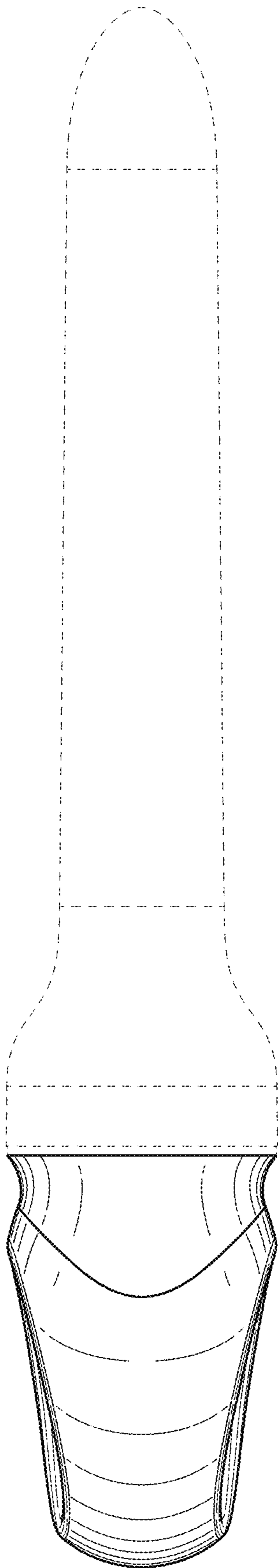


FIG. 4

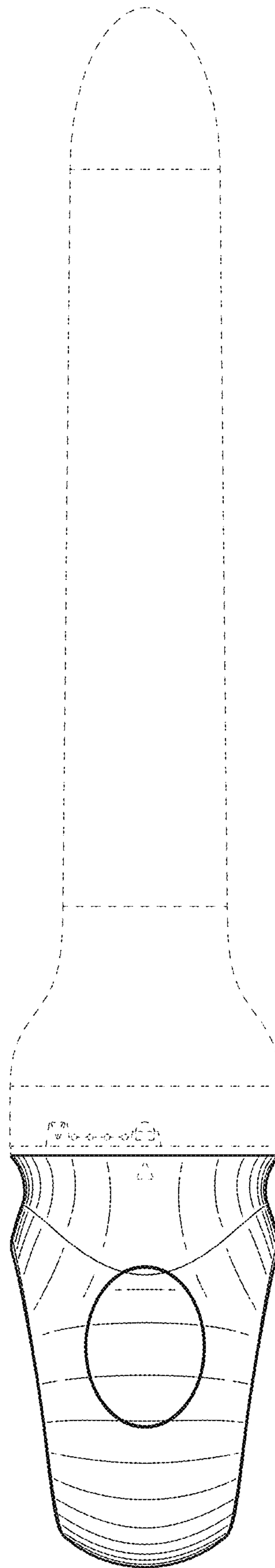
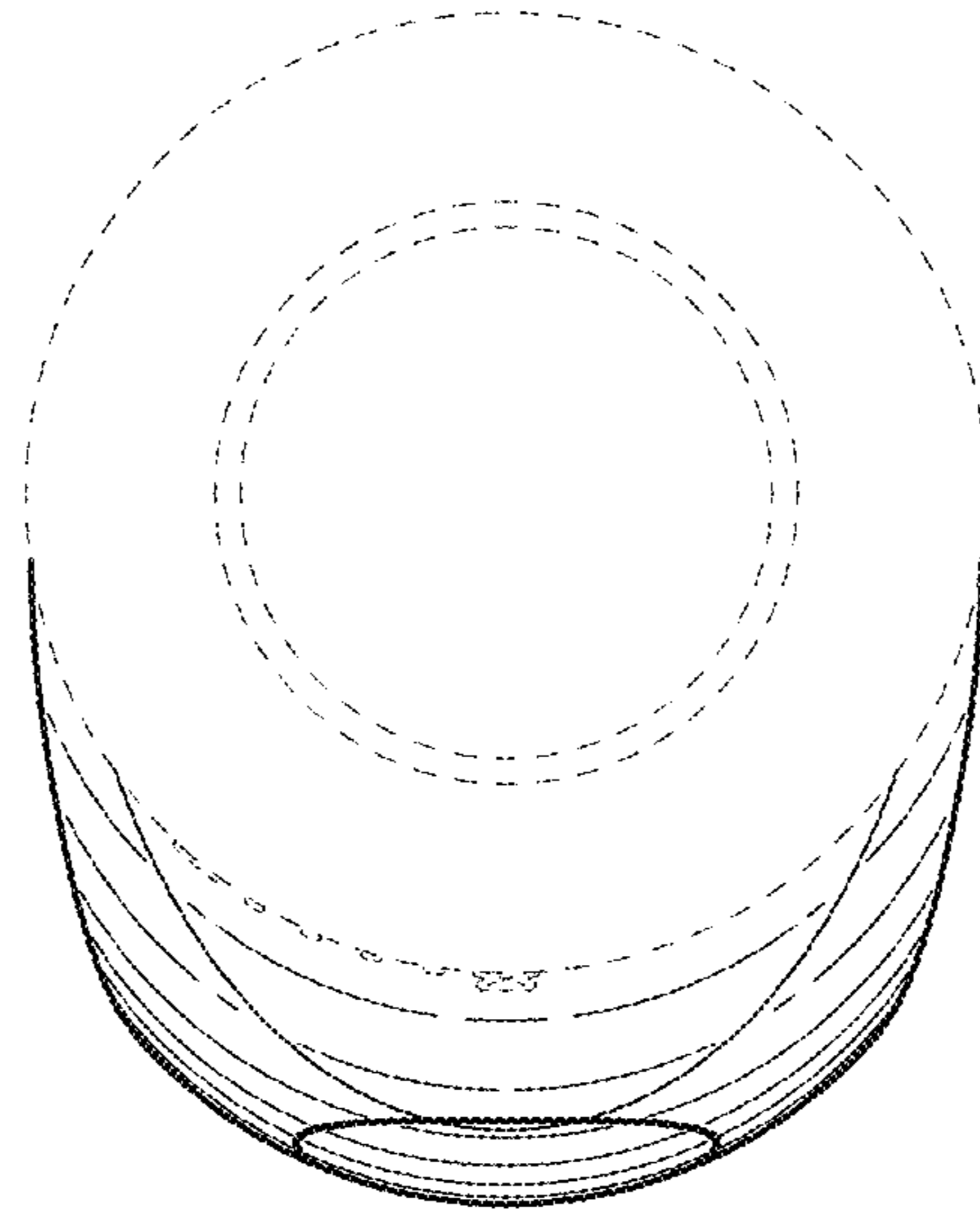
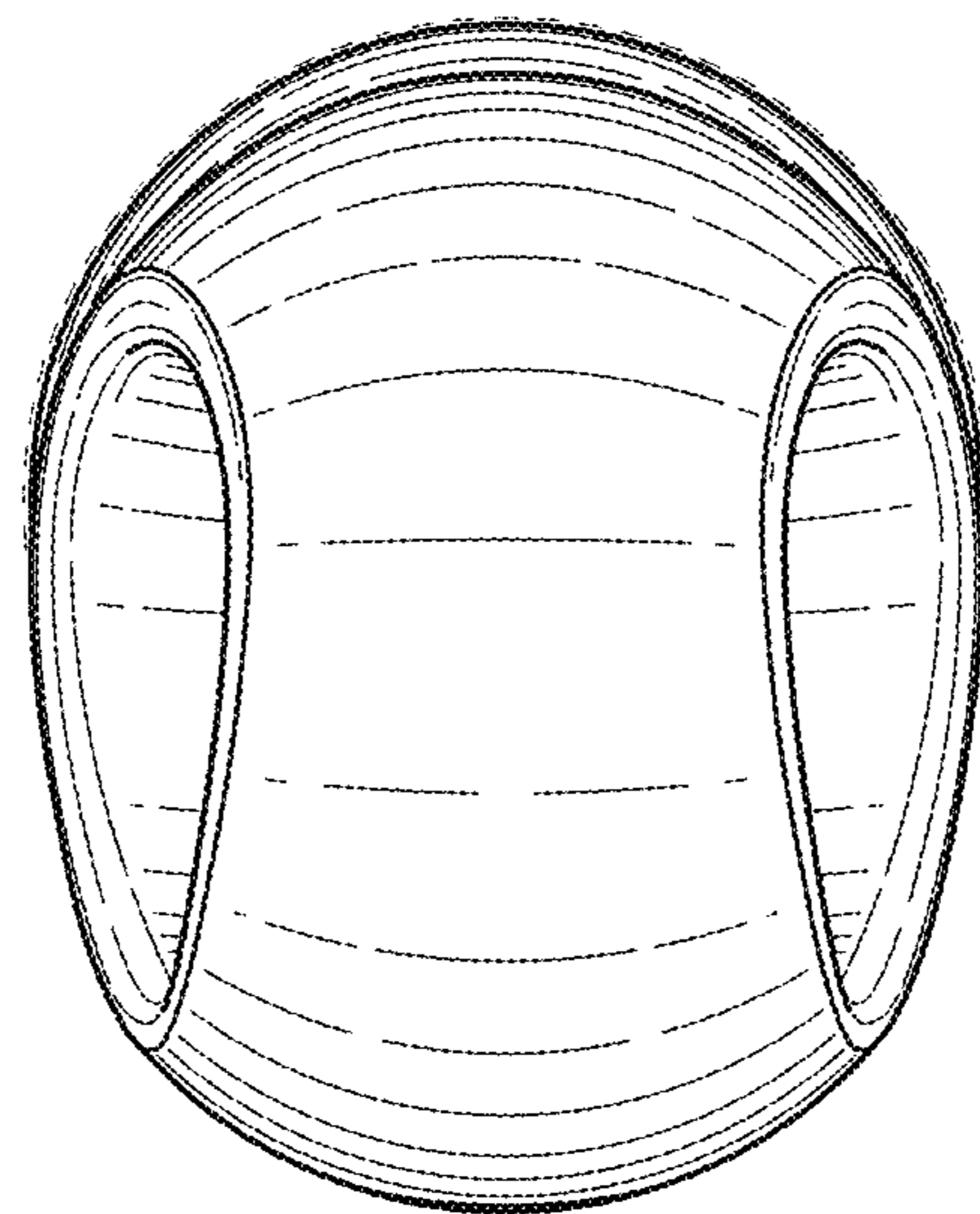


FIG. 5



**FIG. 6**



**FIG. 7**

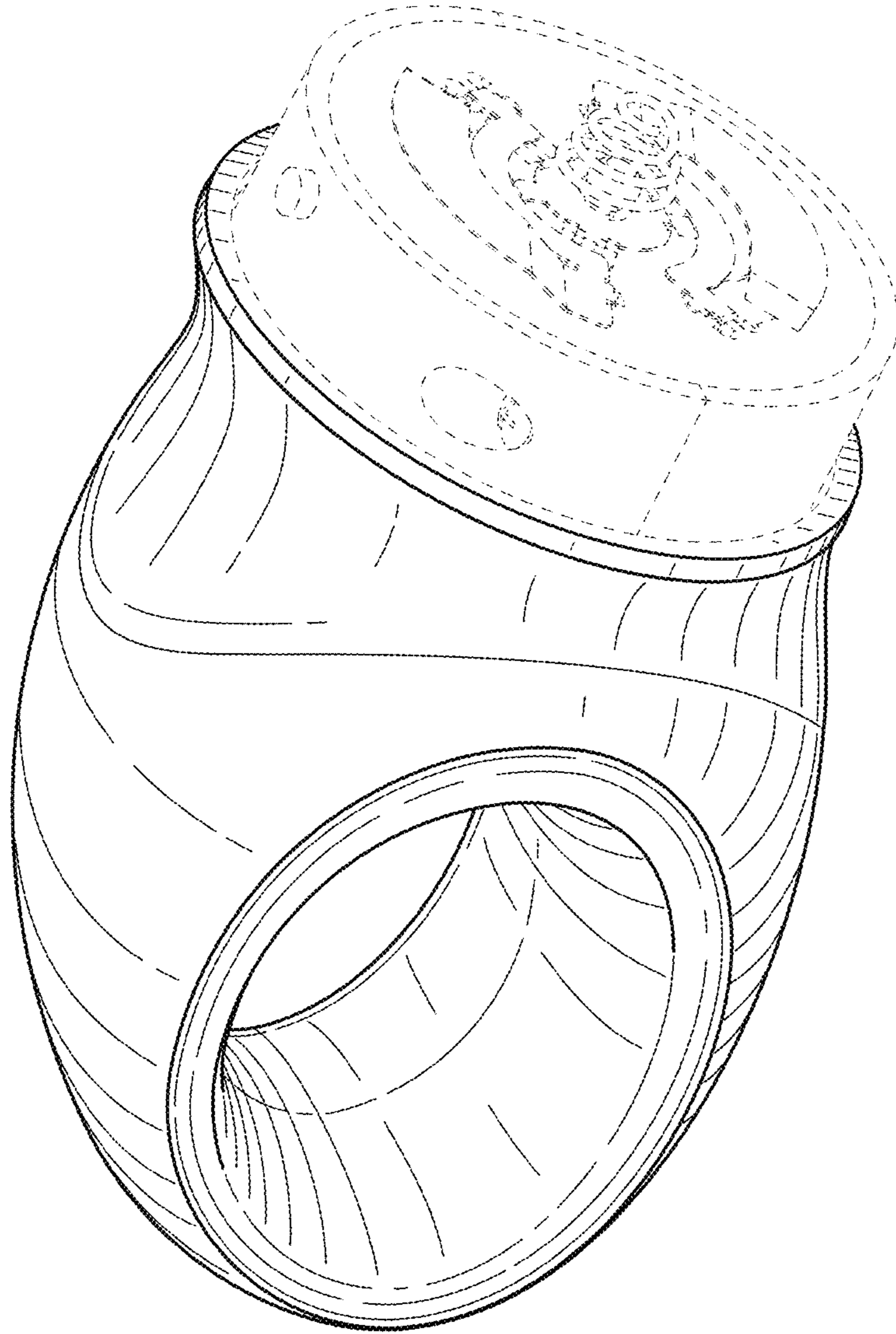
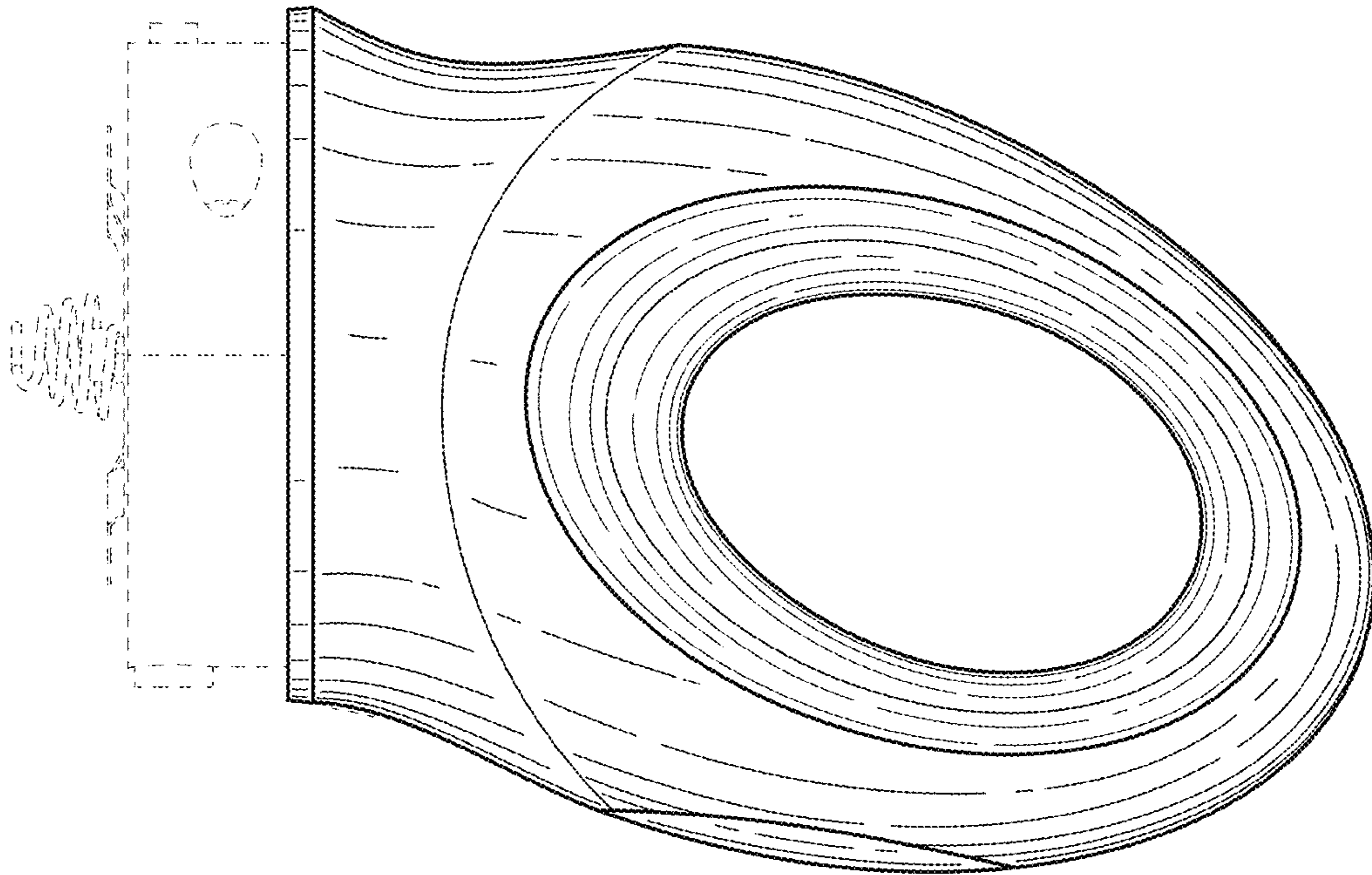
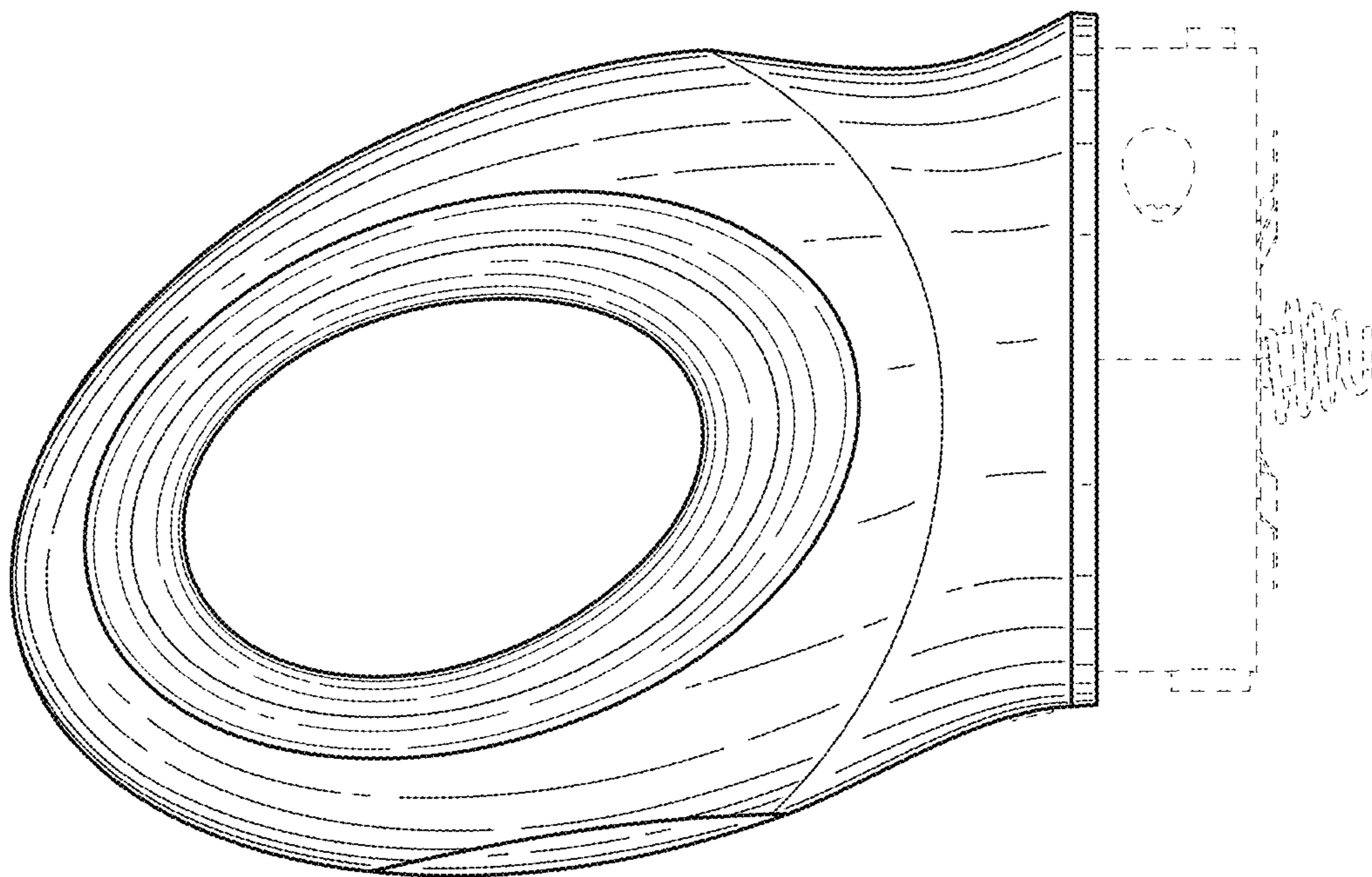


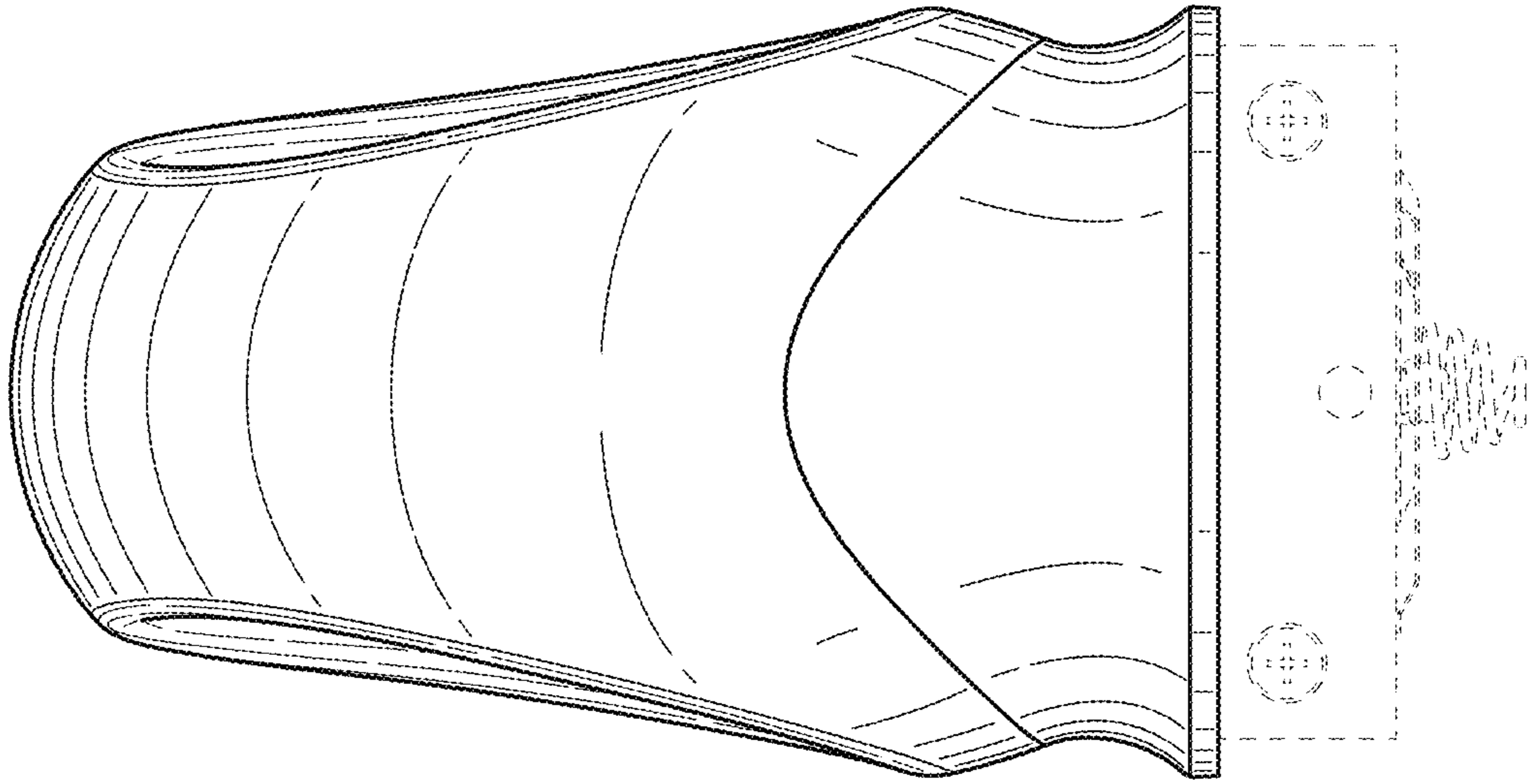
FIG. 8



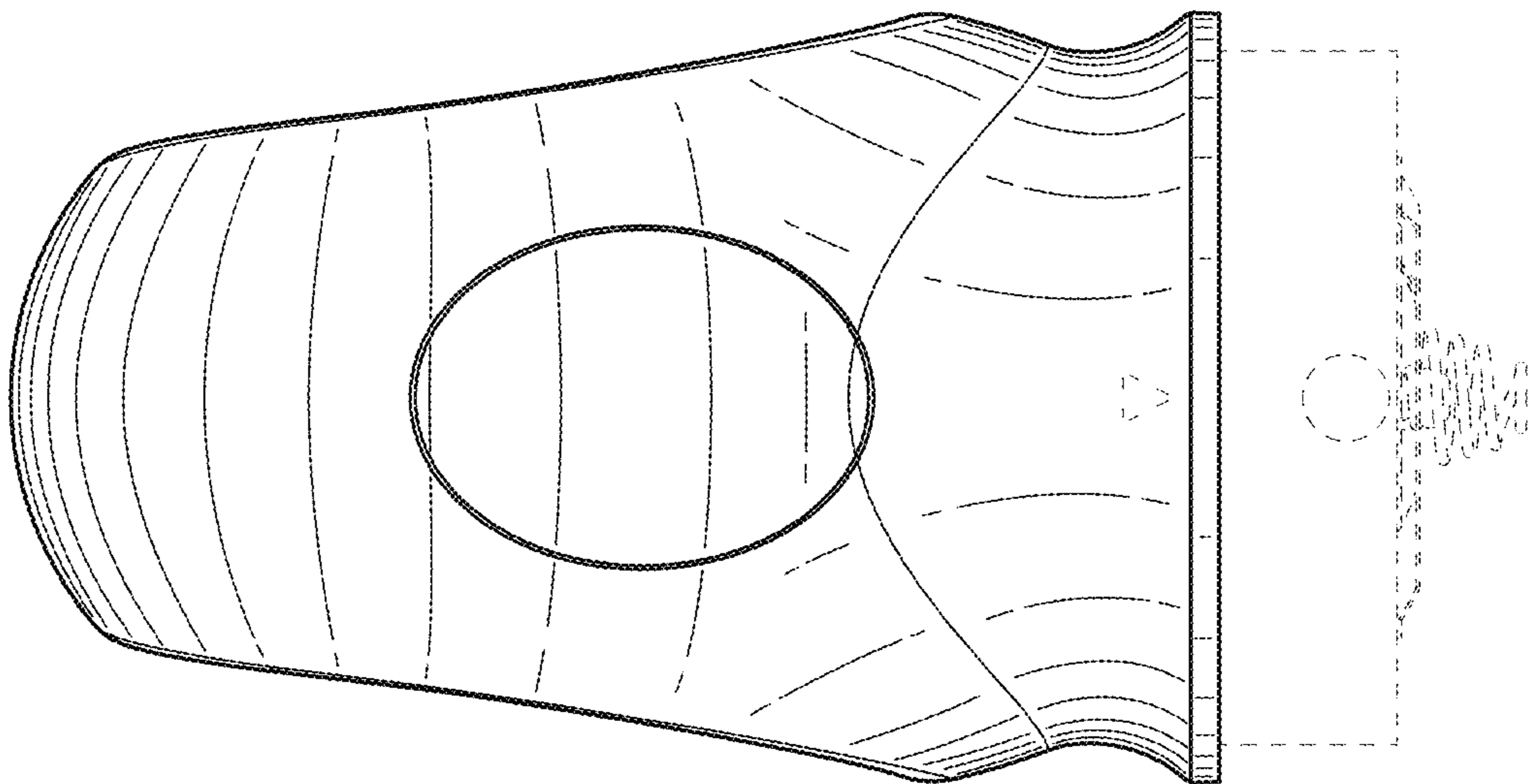
**FIG. 9**



**FIG. 10**

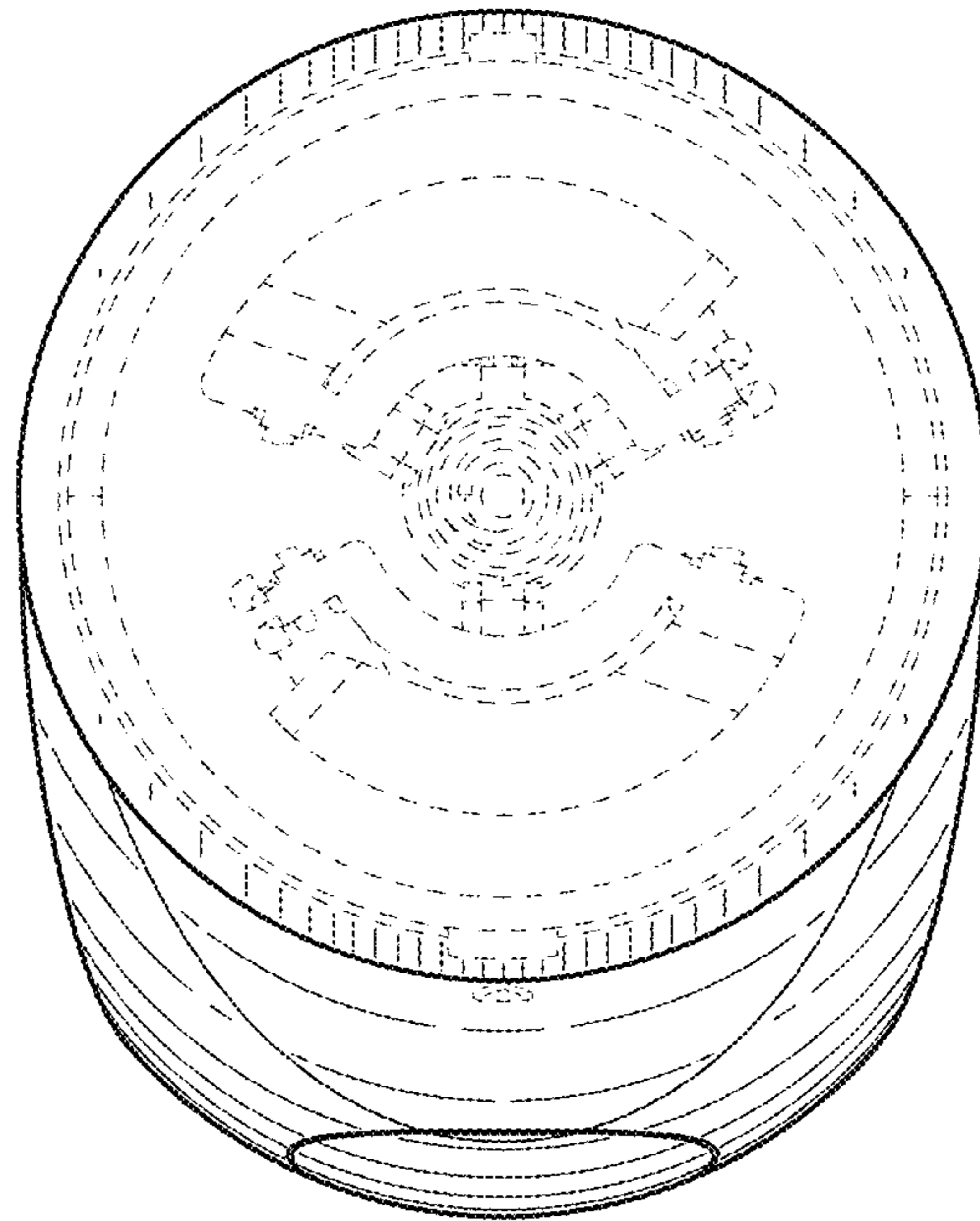


**FIG. 11**

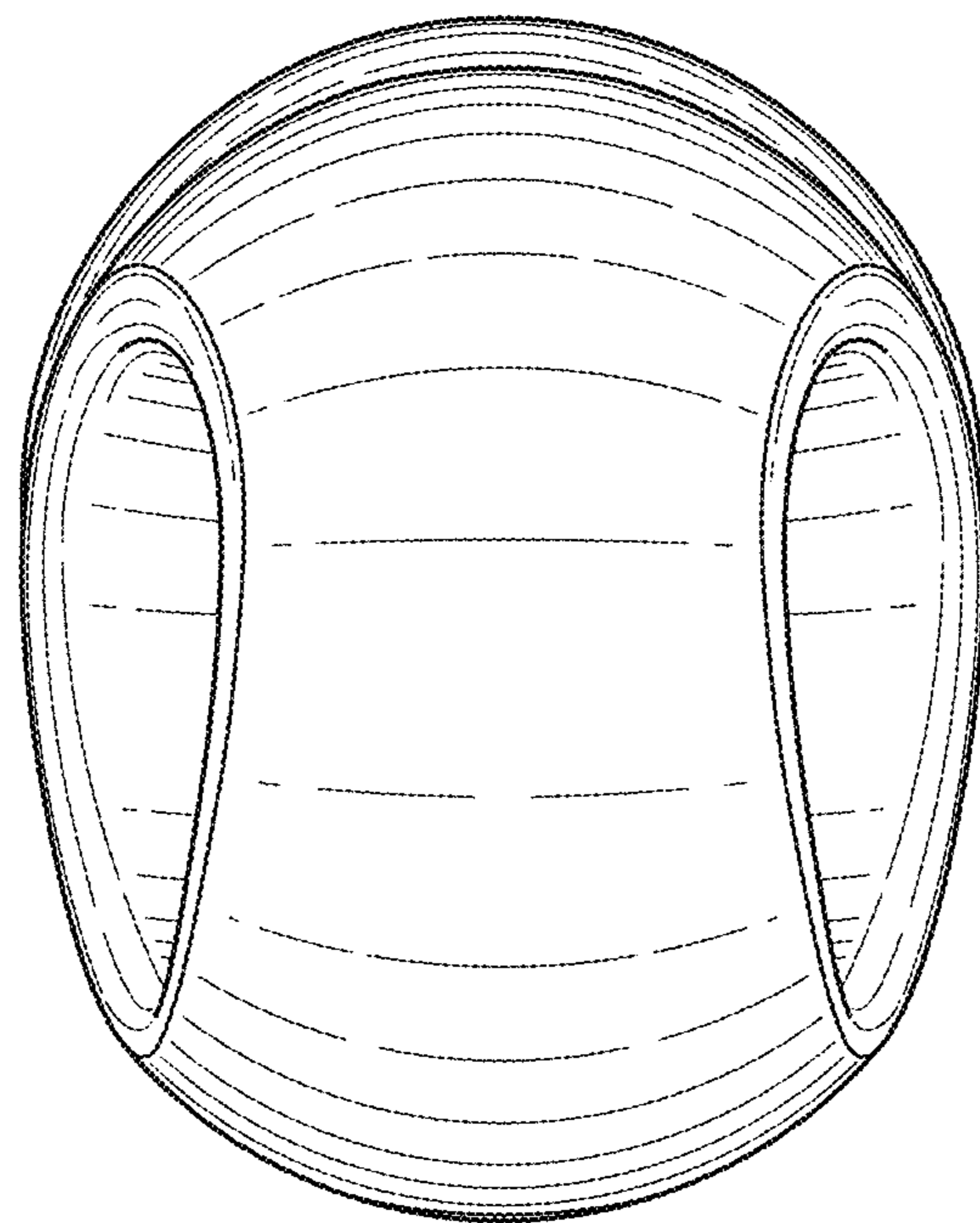


**FIG. 12**





**FIG. 13**



**FIG. 14**