



US00D771827S

(12) **United States Design Patent**
Kojima

(10) **Patent No.:** **US D771,827 S**

(45) **Date of Patent:** **** Nov. 15, 2016**

(54) **ORTHOTIC FOR CORRECTING INGROWN NAIL**

(71) Applicant: **NAIL'S SCIENCE CO., LTD.**,
Osaka-shi, Osaka (JP)

(72) Inventor: **Yoshiko Kojima**, Osaka (JP)

(73) Assignee: **NAIL'S SCIENCE CO., LTD.**, Osaka
(JP)

(**) Term: **14 Years**

(21) Appl. No.: **29/507,921**

(22) Filed: **Oct. 31, 2014**

(30) **Foreign Application Priority Data**

May 30, 2014 (JP) 2014-011680

(51) **LOC (10) Cl.** **24-01**

(52) **U.S. Cl.**
USPC **D24/192**

(58) **Field of Classification Search**
USPC D24/188, 190, 192; D28/56, 57
CPC A61F 5/11; A61F 5/019; A61F 5/10;
A61F 13/068
See application file for complete search history.

(56) **References Cited**

U.S. PATENT DOCUMENTS

1,772,130 A * 8/1930 Crenshaw A61F 5/11
602/31
3,032,032 A * 5/1962 Gifford A61F 5/11
602/31

D698,930 S * 2/2014 Sun D24/107
2010/0268143 A1* 10/2010 Kojima A61F 5/11
602/31
2013/0102942 A1* 4/2013 Tanaka B21D 5/16
602/31
2013/0267879 A1* 10/2013 Sun A61F 5/11
602/31
2015/0230967 A1* 8/2015 Watanabe A61F 5/11
602/31
2015/0351948 A1* 12/2015 Ito A61F 5/11
602/31
2016/0067079 A1* 3/2016 Sun A61F 5/11
602/31

* cited by examiner

Primary Examiner — George D Kirschbaum

Assistant Examiner — Jennifer Watkins

(74) *Attorney, Agent, or Firm* — Birch, Stewart, Kolasch
& Birch, LLP

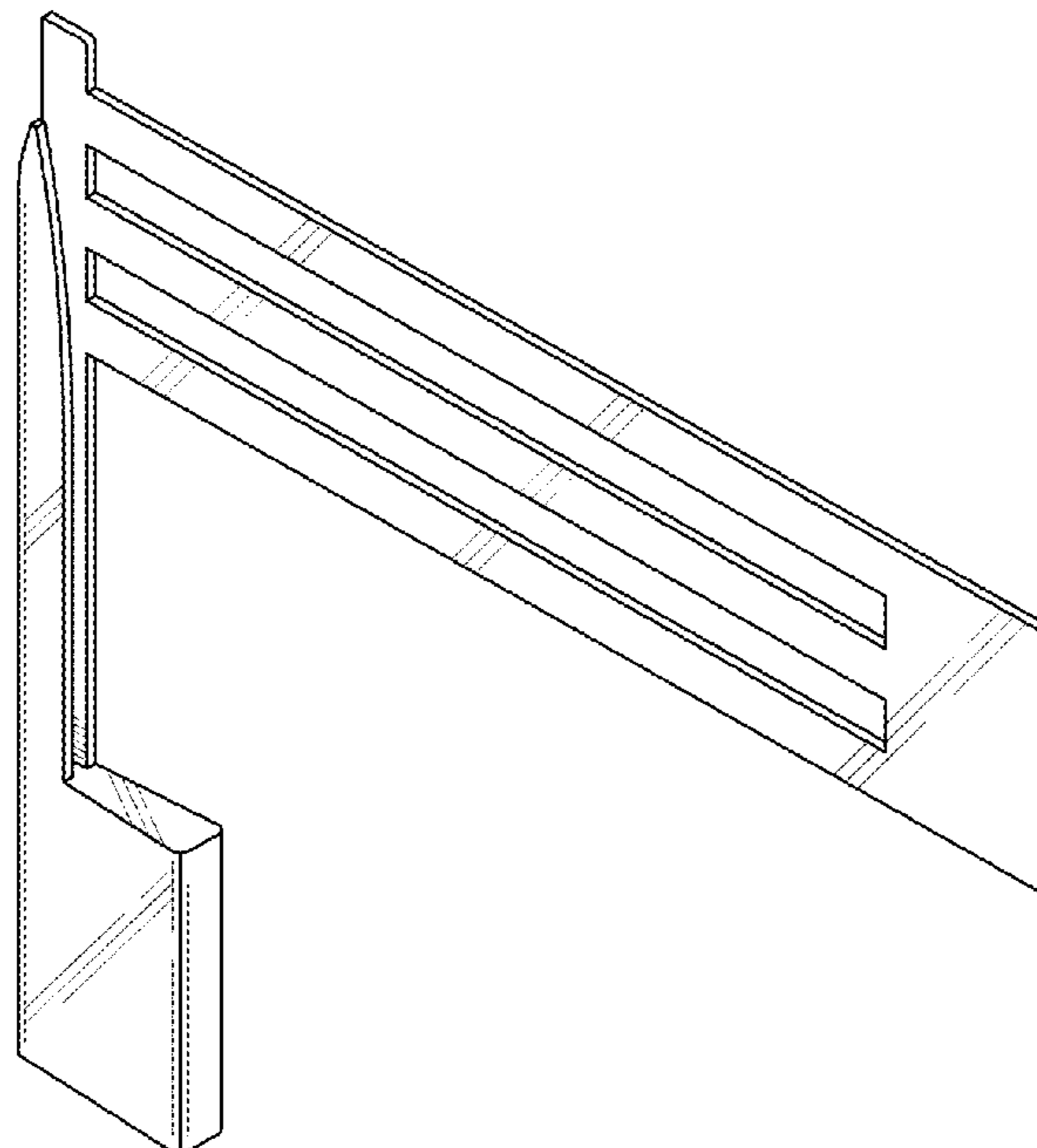
(57) **CLAIM**

The ornamental design for an orthotic for correcting ingrown nail, as shown and described.

DESCRIPTION

FIG. 1 is a perspective view of an orthotic for correcting ingrown nail showing my new design;
FIG. 2 is a top plan view thereof;
FIG. 3 is a bottom view thereof;
FIG. 4 is a front elevational view thereof;
FIG. 5 is a right side elevational view thereof; and,
FIG. 6 is a side perspective view thereof.

1 Claim, 6 Drawing Sheets



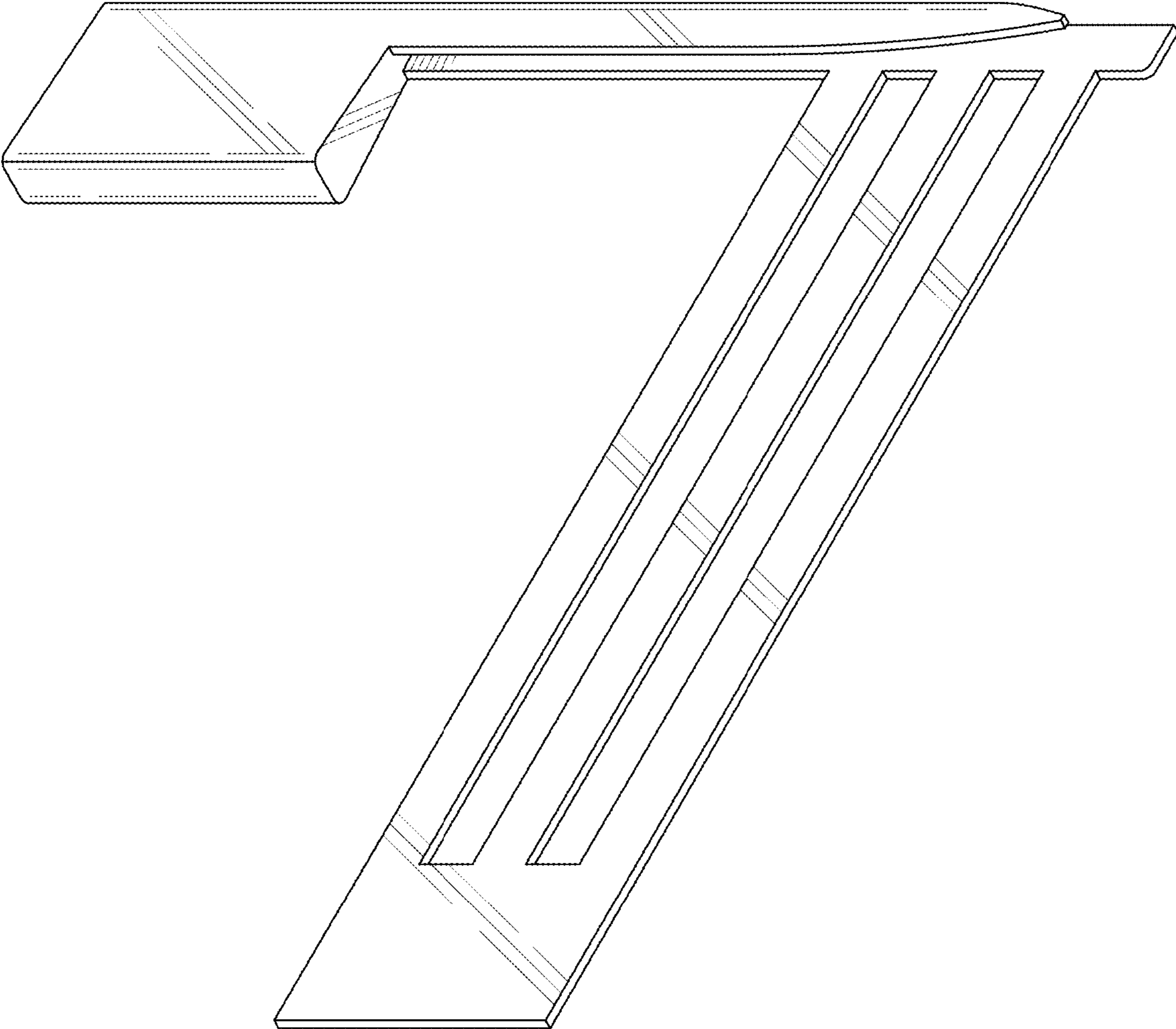


FIG.1

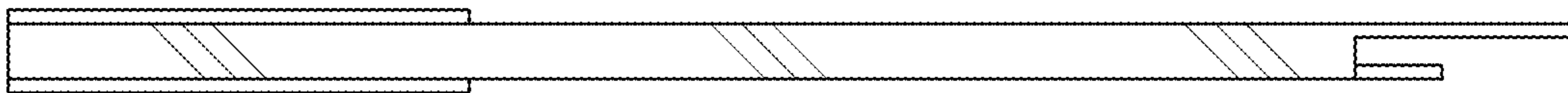


FIG.2

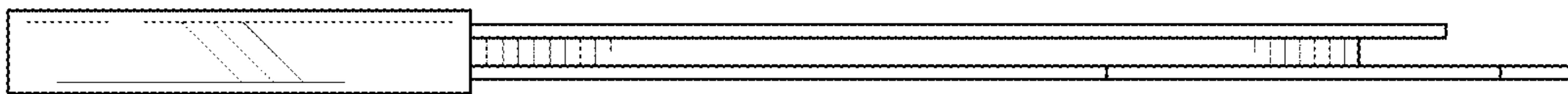


FIG.3

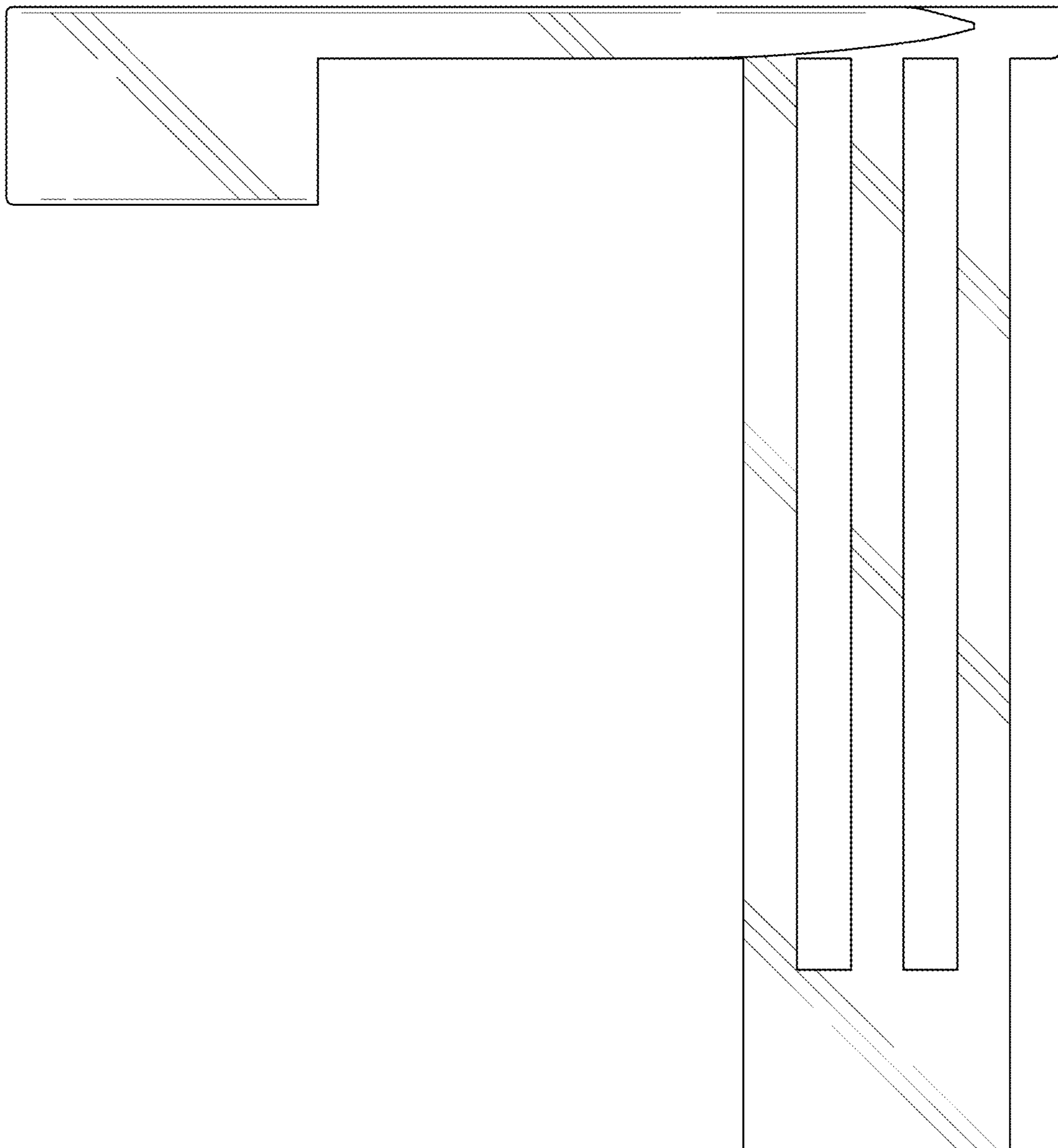


FIG.4



FIG.5

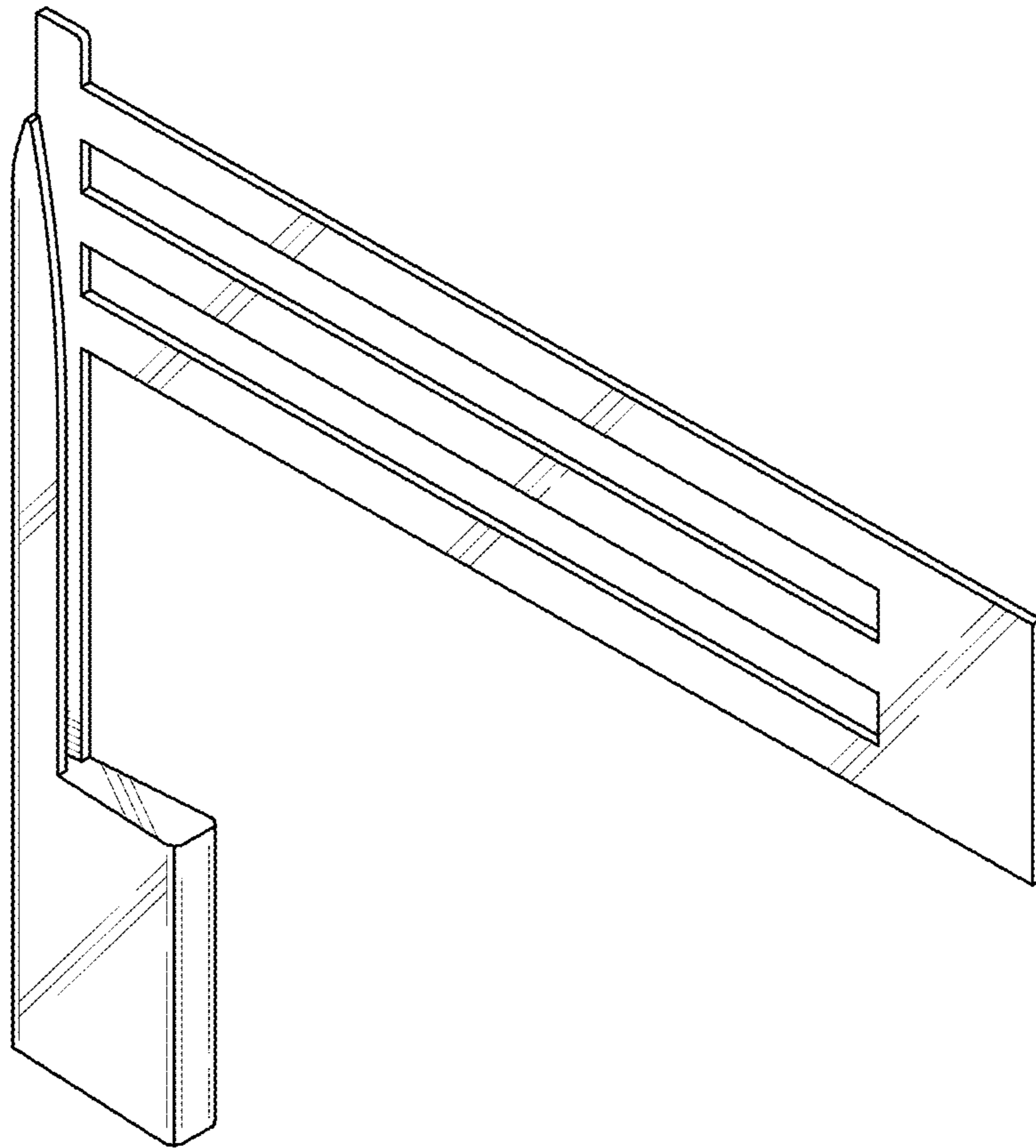


FIG.6