



US00D771823S

(12) **United States Design Patent**
Hagedorn

(10) **Patent No.:** **US D771,823 S**

(45) **Date of Patent:** **** Nov. 15, 2016**

(54) **HEADGEAR FOR ELECTROPHYSIOLOGY MEASUREMENT AND TRAINING**

(71) Applicant: **Evoke Neuroscience, Inc.**, Jacksonville, NC (US)

(72) Inventor: **David W Hagedorn**, Jacksonville, NC (US)

(73) Assignee: **EVOKE NEUROSCIENCE, INC.**, Jacksonville, NC (US)

(**) Term: **15 Years**

(21) Appl. No.: **29/541,213**

(22) Filed: **Oct. 1, 2015**

Related U.S. Application Data

(63) Continuation of application No. 29/499,271, filed on Aug. 13, 2014, now Pat. No. Des. 743,039.

(51) **LOC (10) Cl.** **24-02**

(52) **U.S. Cl.**
USPC **D24/186**

(58) **Field of Classification Search**

USPC D24/165-168, 186, 187, 107, 110.1, D24/174, 231; D10/70, 98; D14/205, 223
CPC A61B 5/6815; A61B 5/6816; A61B 5/6824; A61B 5/6831; A61B 5/6832; A61B 5/02405; A61B 5/02411; A61B 5/02427; A61B 5/02438; A61B 5/6803; A61B 5/6814; A61B 2562/0204

See application file for complete search history.

(56) **References Cited**

U.S. PATENT DOCUMENTS

D578,221 S	*	10/2008	Sakurai	D24/187
D594,127 S	*	6/2009	Causevic	D24/187
D661,685 S	*	6/2012	Lee	D14/205
D716,458 S	*	10/2014	Snyder	D24/186
D758,991 S	*	6/2016	Petersen	D14/205

* cited by examiner

Primary Examiner — Anhdao Doan

(74) *Attorney, Agent, or Firm* — Bechen PLLC

(57) **CLAIM**

The ornamental design for a headgear for electrophysiology measurement and training, as shown and described.

DESCRIPTION

FIG. 1 is a perspective view of a headgear for electrophysiology measurement and training;

FIG. 2 is a front view thereof, the rear view is a mirror image of the front view;

FIG. 3 is a right side view thereof, the left side view is a mirror image of the right side view;

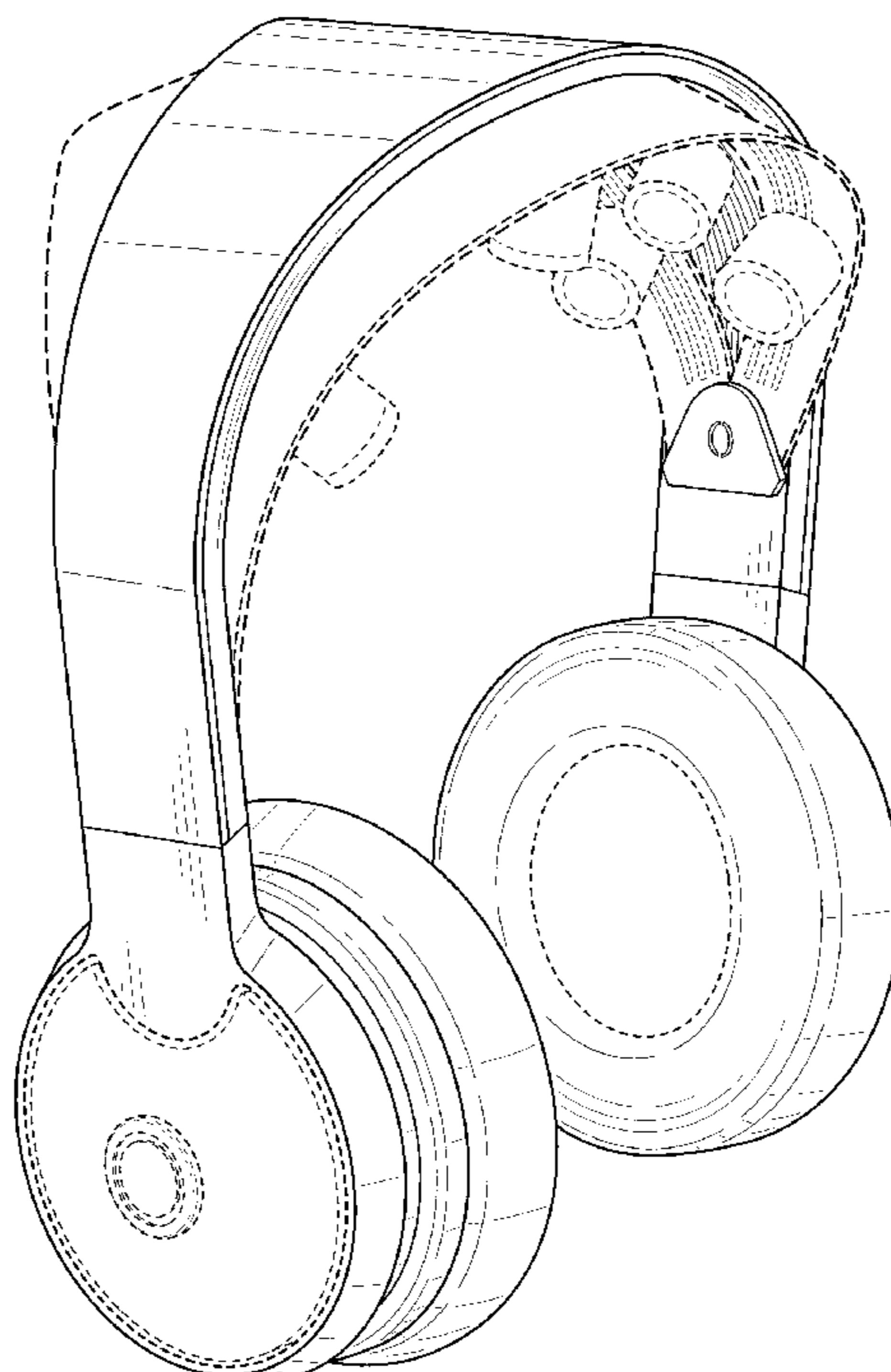
FIG. 4 is a top view thereof;

FIG. 5 is a bottom view thereof; and,

FIG. 6 is a cut-away view of a top portion of the headgear for electrophysiology measurement and training shown in FIG. 1.

The broken lines in the drawing views are included for the purpose of illustrating portions of the headgear for electrophysiology measurement and training that form no part of the claimed design.

1 Claim, 5 Drawing Sheets



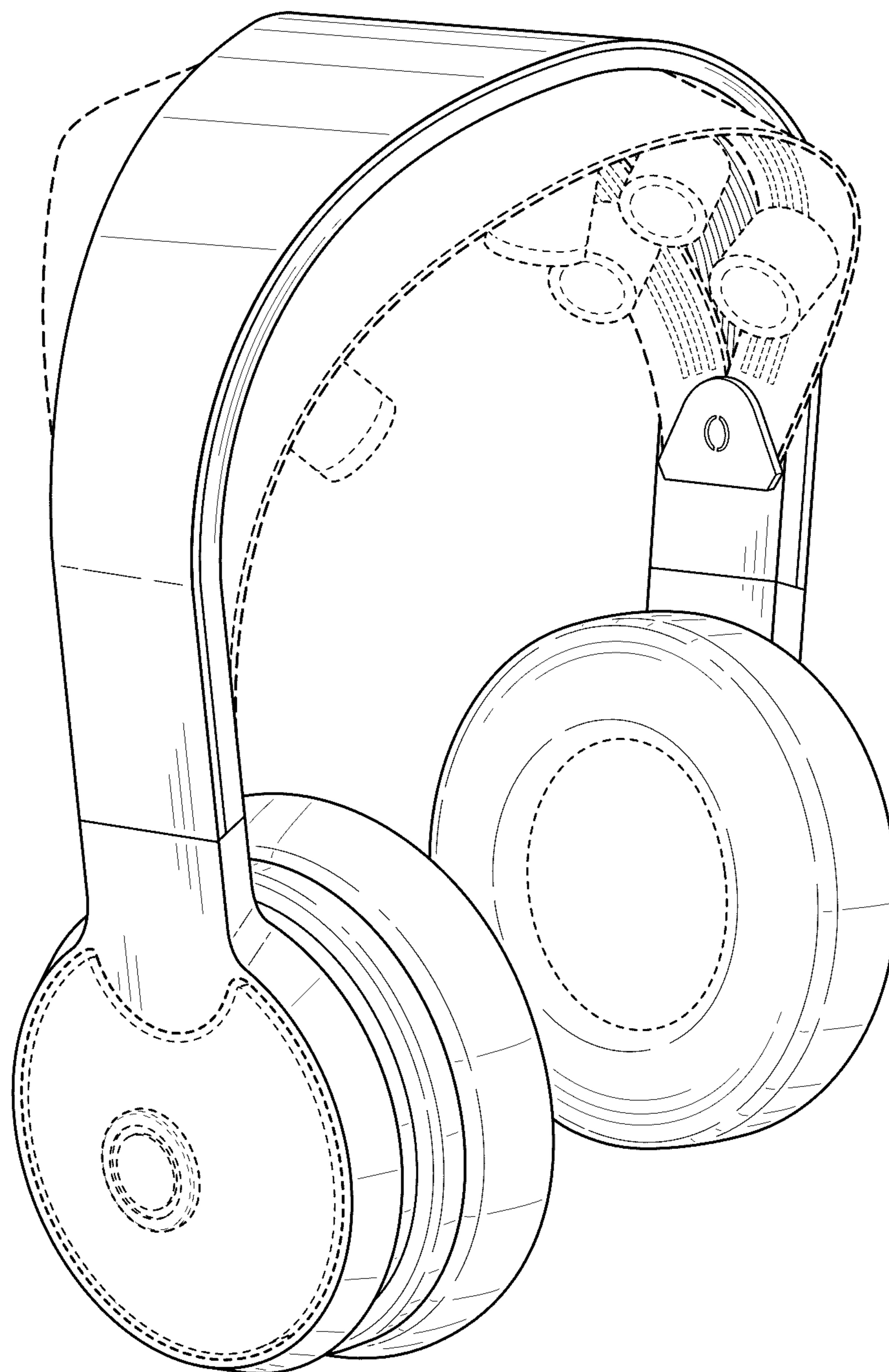


FIG. 1

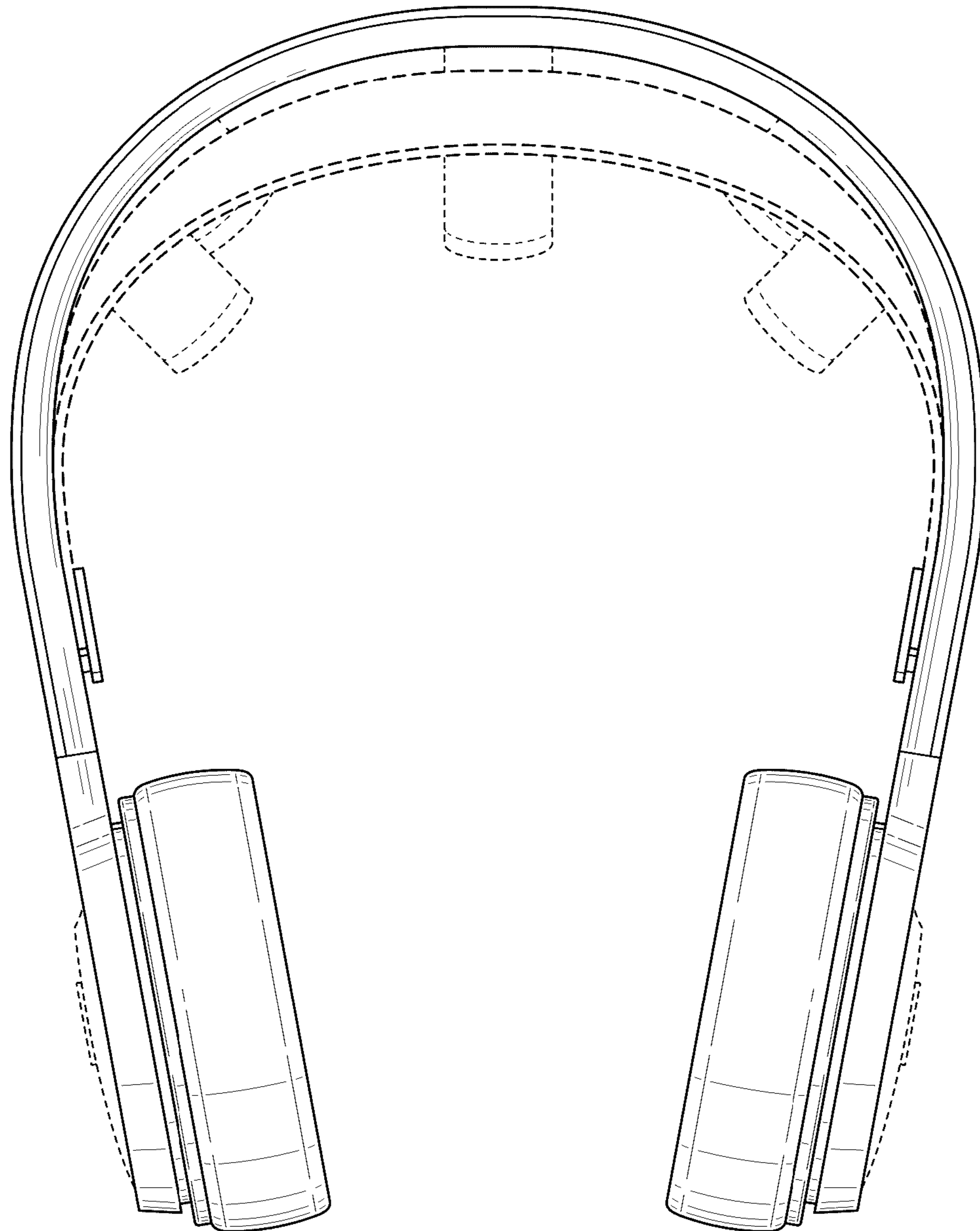


FIG. 2

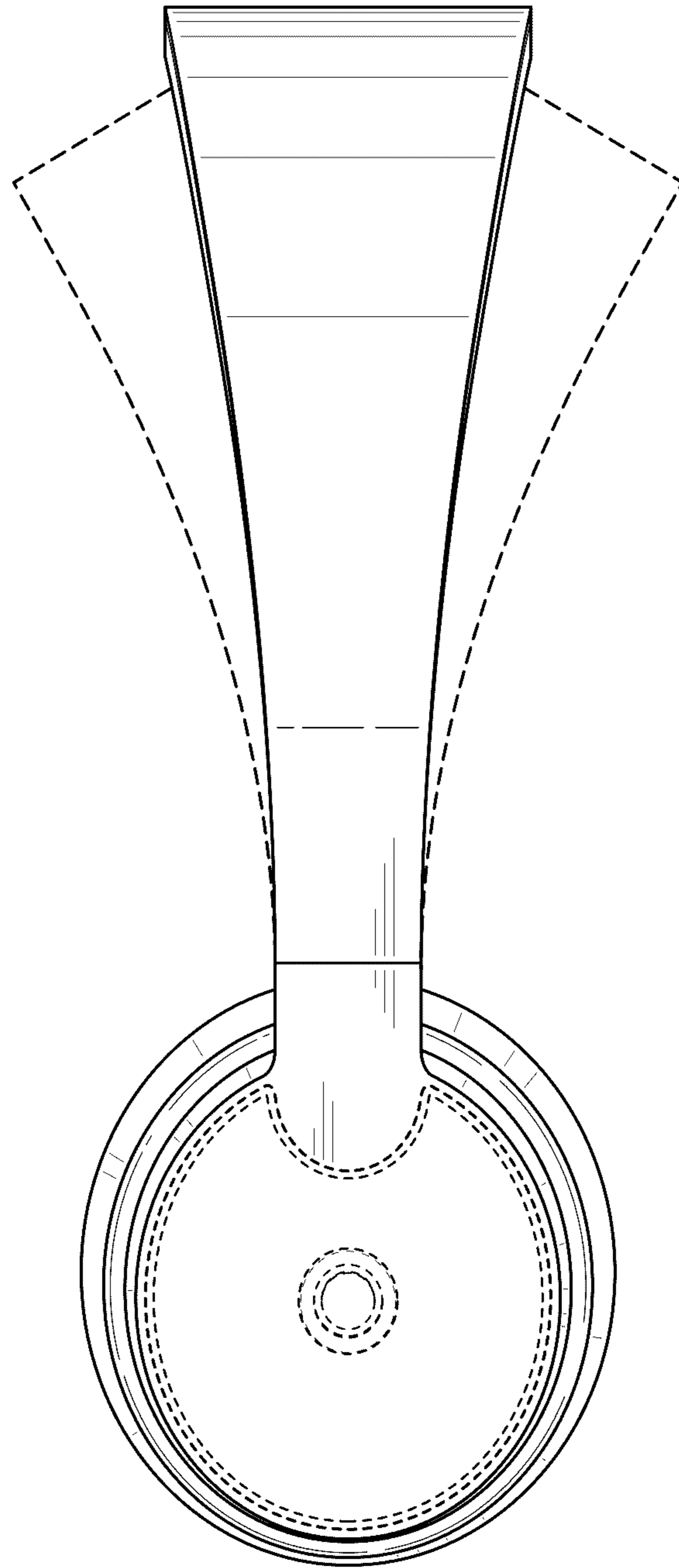


FIG. 3

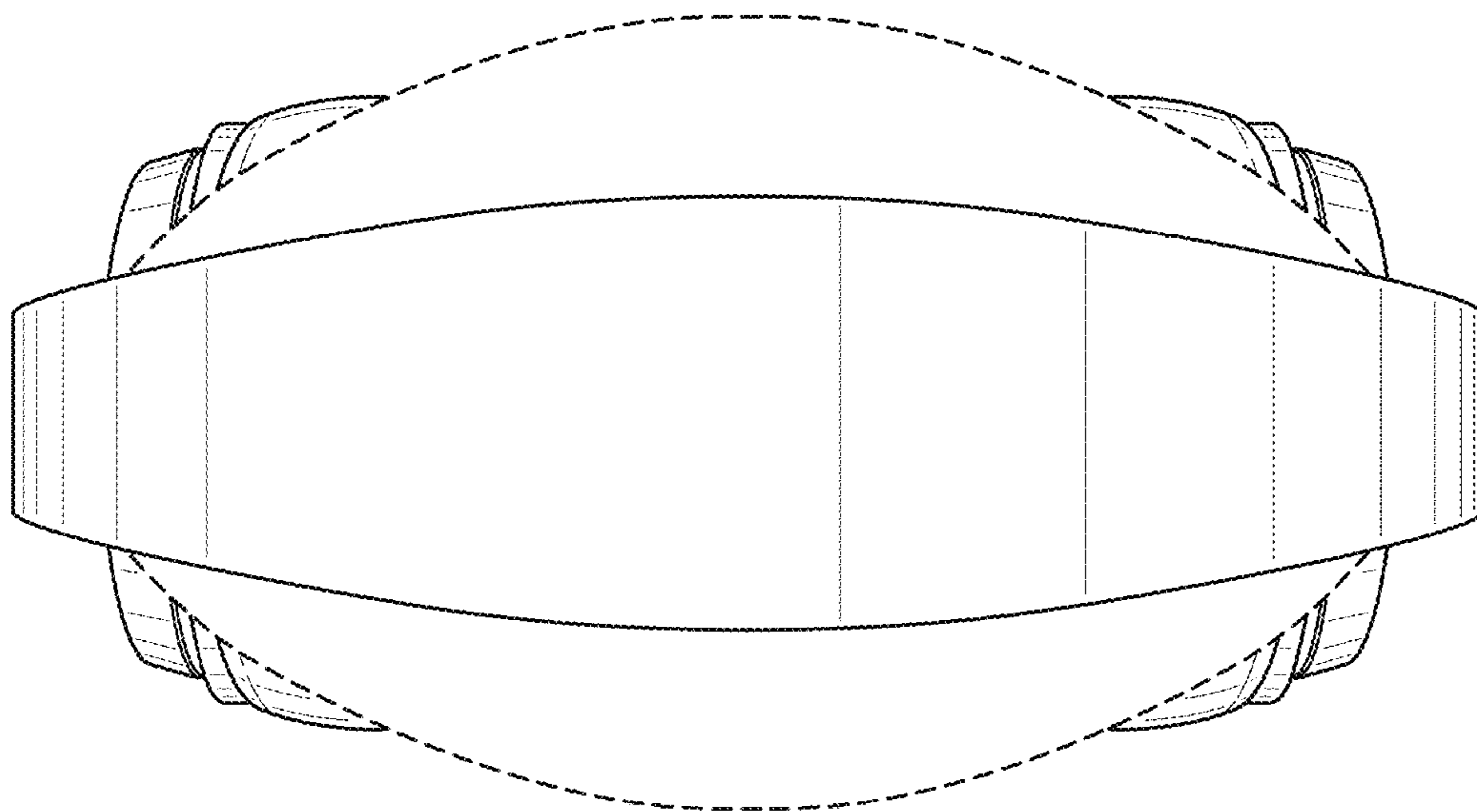


FIG. 4

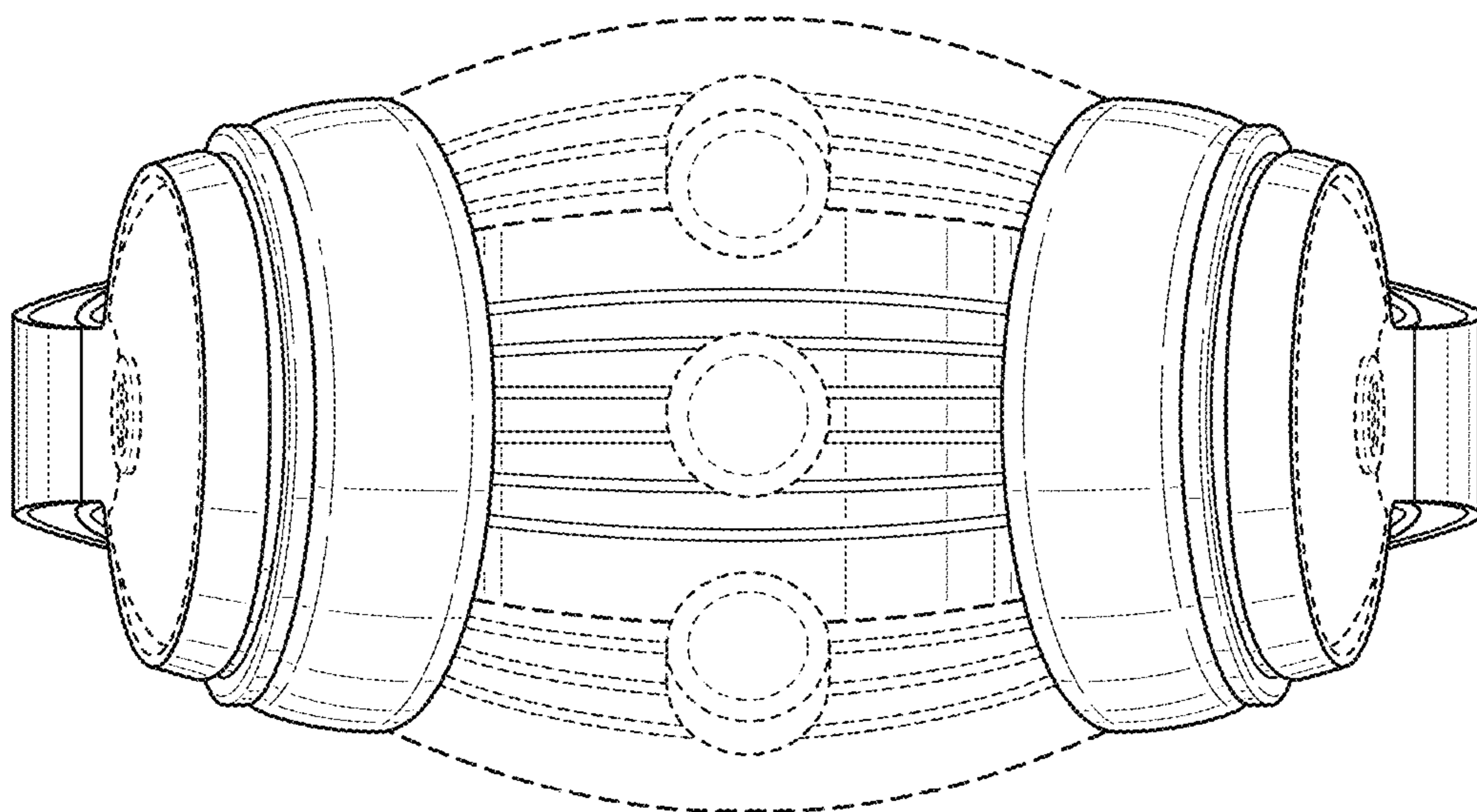


FIG. 5

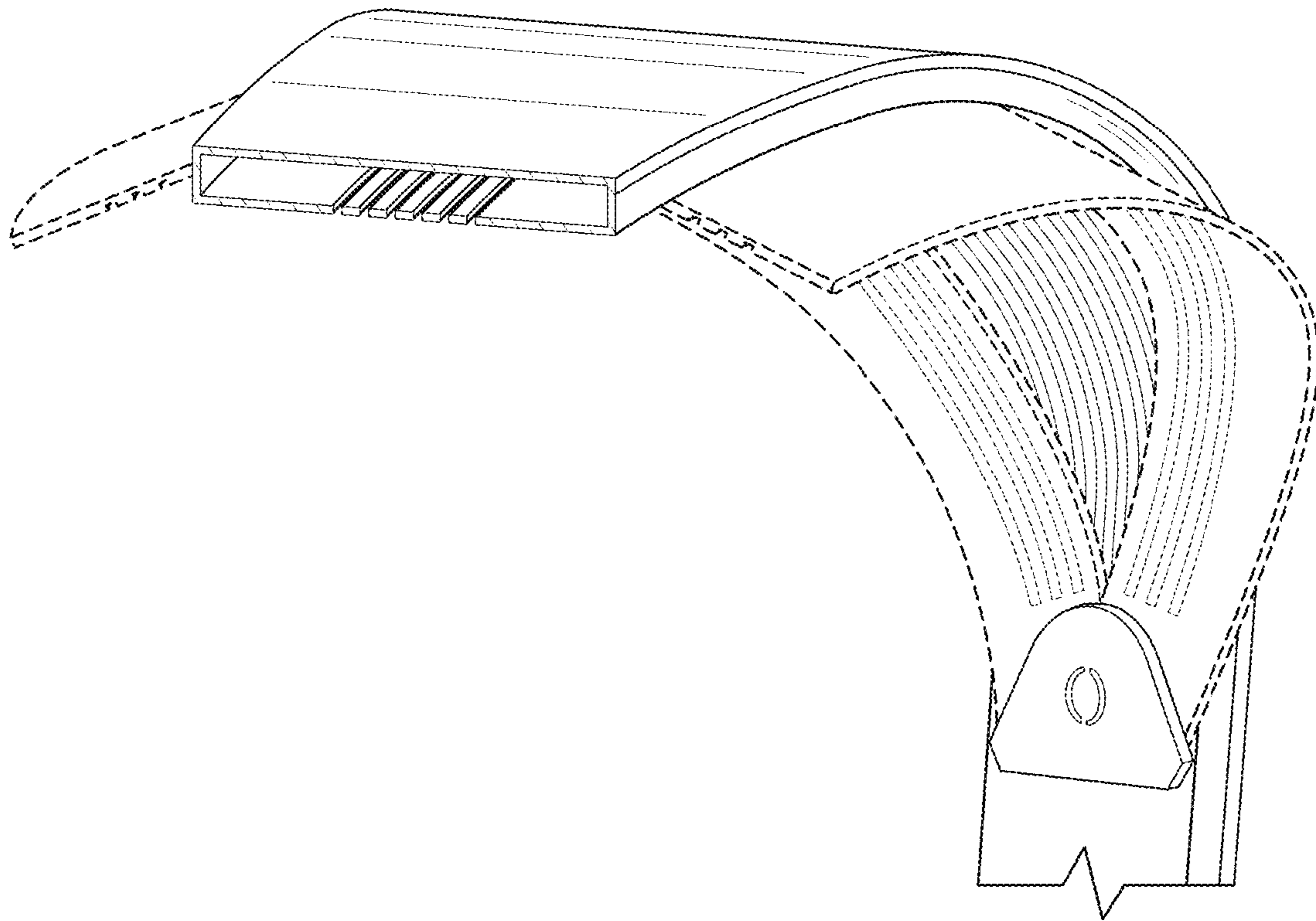


FIG. 6