



US00D771822S

(12) **United States Design Patent** (10) **Patent No.:** **US D771,822 S**
Jo et al. (45) **Date of Patent:** **** Nov. 15, 2016**

(54) **HEADSET FOR MEASURING BRAIN WAVES**

(56) **References Cited**

(71) Applicant: **Samsung Electronics Co., Ltd.**,
Suwon-si, Gyeonggi-do (KR)
(72) Inventors: **Hee Jae Jo**, Suwon-si (KR); **Se Hoon Lim**, Gwangju (KR); **Jun Hyung Park**,
Seoul (KR); **Jang Beom Yang**,
Gwangju (KR); **Jaе Min Jung**, Seoul
(KR); **Jun Ho Koh**, Suwon-si (KR);
Chang Hyun Lee, Suwon-si (KR);
Yong Hyun Lim, Suwon-si (KR); **Hae In Chun**, Daegu (KR)

U.S. PATENT DOCUMENTS

D543,968	S	*	6/2007	Wong	D14/205
D585,557	S	*	1/2009	Sakurai	D24/187
D589,152	S	*	3/2009	Champkins	D14/223
D599,329	S	*	9/2009	Champkins	D14/223
D647,514	S	*	10/2011	Wikel	D14/223
D717,443	S	*	11/2014	Hughes	D24/167
2007/0197881	A1	*	8/2007	Wolf	A61B 5/6815 600/300
2010/0217103	A1	*	8/2010	Abdul-Hafiz	A61B 5/6815 600/322
2014/0187885	A1	*	7/2014	Kreuzer	A61B 5/6817 600/324
2015/0351688	A1	*	12/2015	Just	A61B 5/681 600/407

(73) Assignee: **SAMSUNG ELECTRONICS CO., LTD.**, Suwon-Si, Gyeonggi-Do (KR)

* cited by examiner

(**) Term: **15 Years**

Primary Examiner — Anhdao Doan

(21) Appl. No.: **29/531,374**

(74) *Attorney, Agent, or Firm* — Ladas & Parry LLP

(22) Filed: **Jun. 25, 2015**

(57) **CLAIM**

We claim the ornamental design for a headset for measuring brain waves, as shown and described.

(30) **Foreign Application Priority Data**

DESCRIPTION

Jan. 5, 2015 (KR) 30-2015-0000264

(51) **LOC (10) Cl.** **24-02**

(52) **U.S. Cl.**
USPC **D24/186**

(58) **Field of Classification Search**
USPC D24/165–168, 186, 187, 107, 110.1,
D24/174, 231; D10/70, 98; D14/205, 223
CPC A61B 5/6815; A61B 5/6816; A61B 5/6824;
A61B 5/6831; A61B 5/6832; A61B 5/02405;
A61B 5/02411; A61B 5/02427; A61B
5/02438; A61B 5/6803; A61B 5/6814;
A61B 2562/0204

FIG. 1 is the front perspective view of a headset for measuring brain waves showing our new design;
FIG. 2 is the front view thereof;
FIG. 3 is the rear view thereof;
FIG. 4 is the left-side view thereof;
FIG. 5 is the right-side view thereof;
FIG. 6 is the top plan view thereof;
FIG. 7 is the bottom plan view thereof; and,
FIG. 8 is the partially enlarged view of FIG. 1.

The broken lines in the drawing show unclaimed environment only and form no part of the claimed design.
The dot-dash broken lines encircling portions of the claimed design that are illustrated in enlargements form no part of the claimed design.

See application file for complete search history.

1 Claim, 8 Drawing Sheets

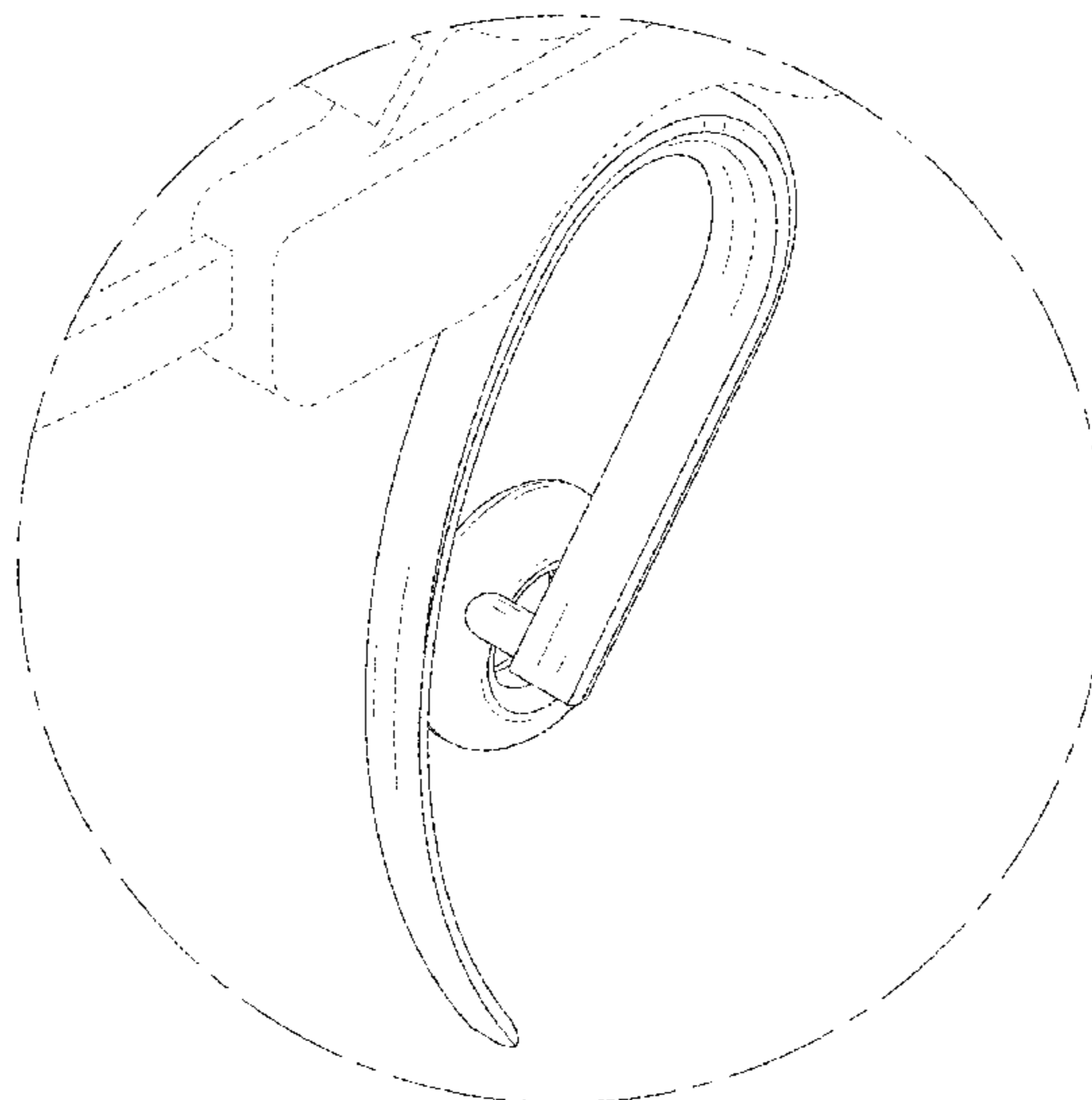


FIG. 1

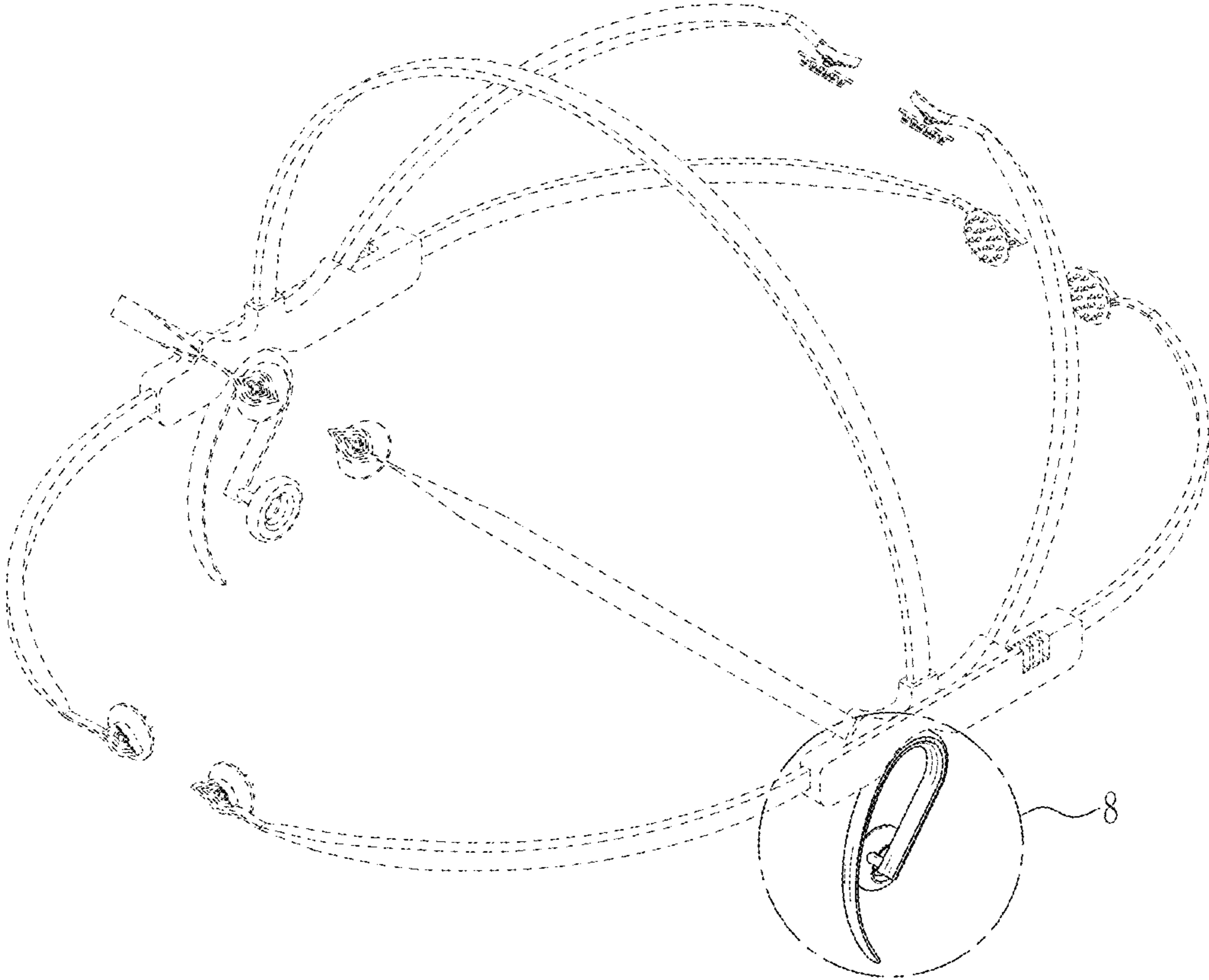


FIG. 2

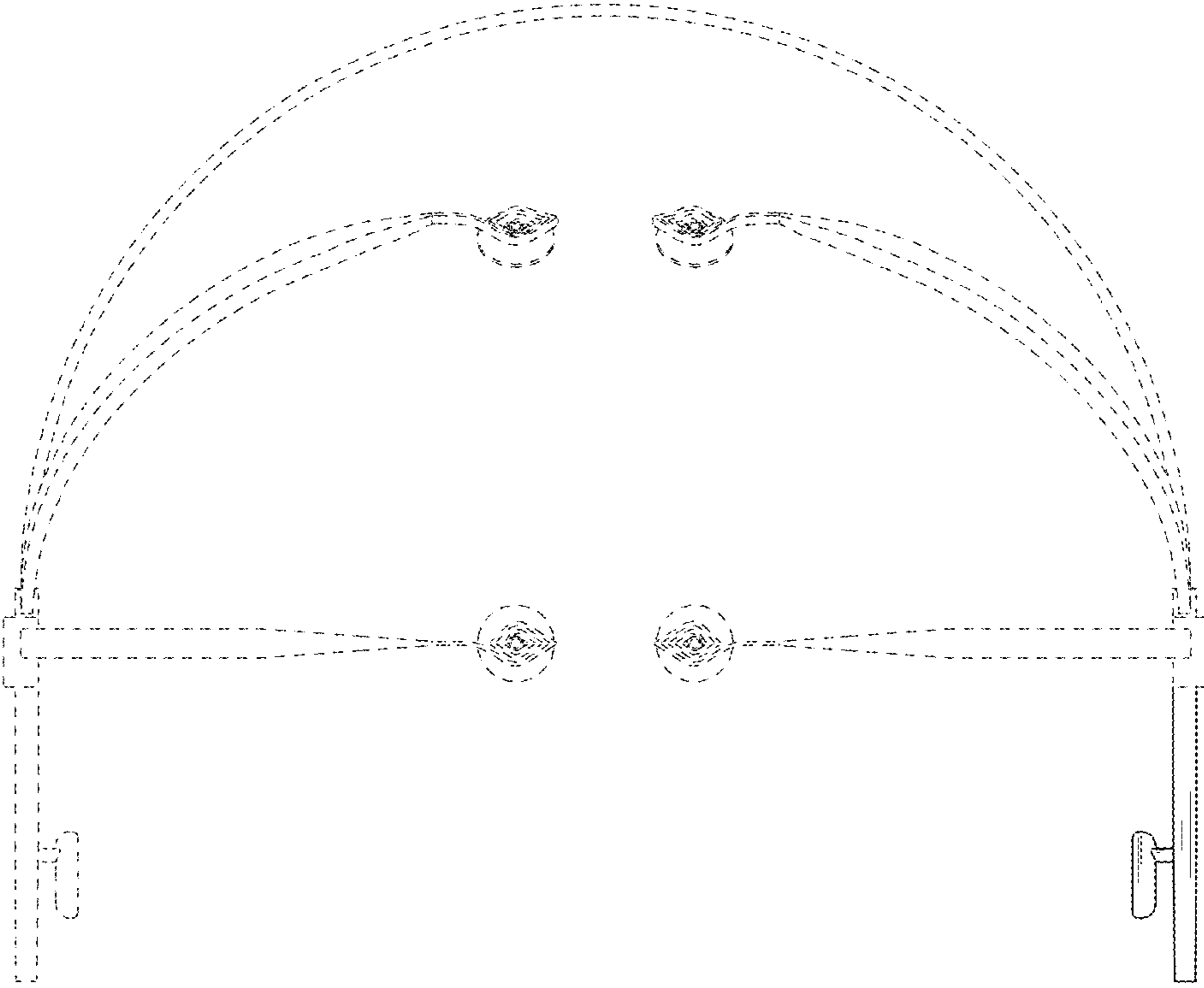


FIG. 3

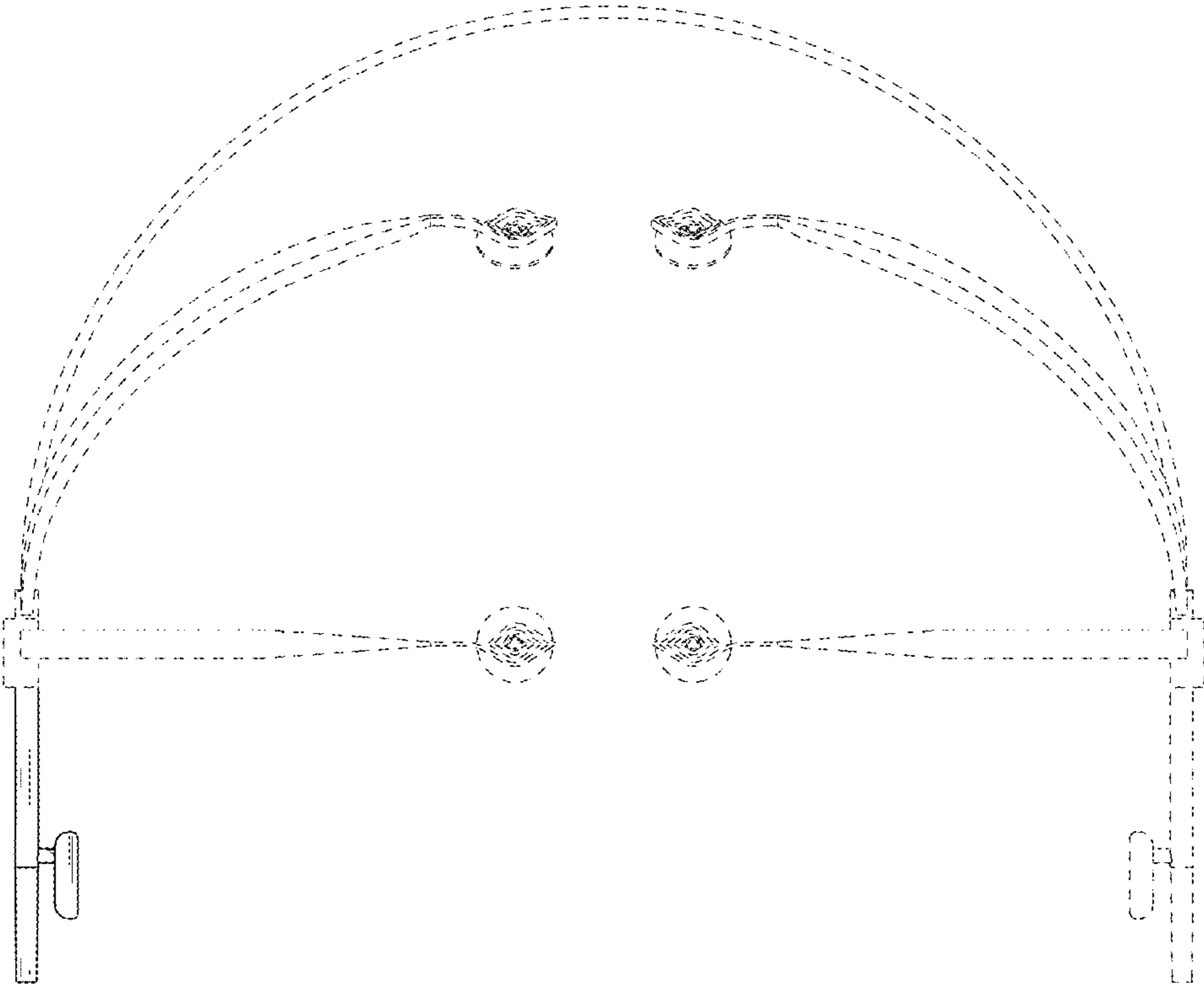


FIG. 4

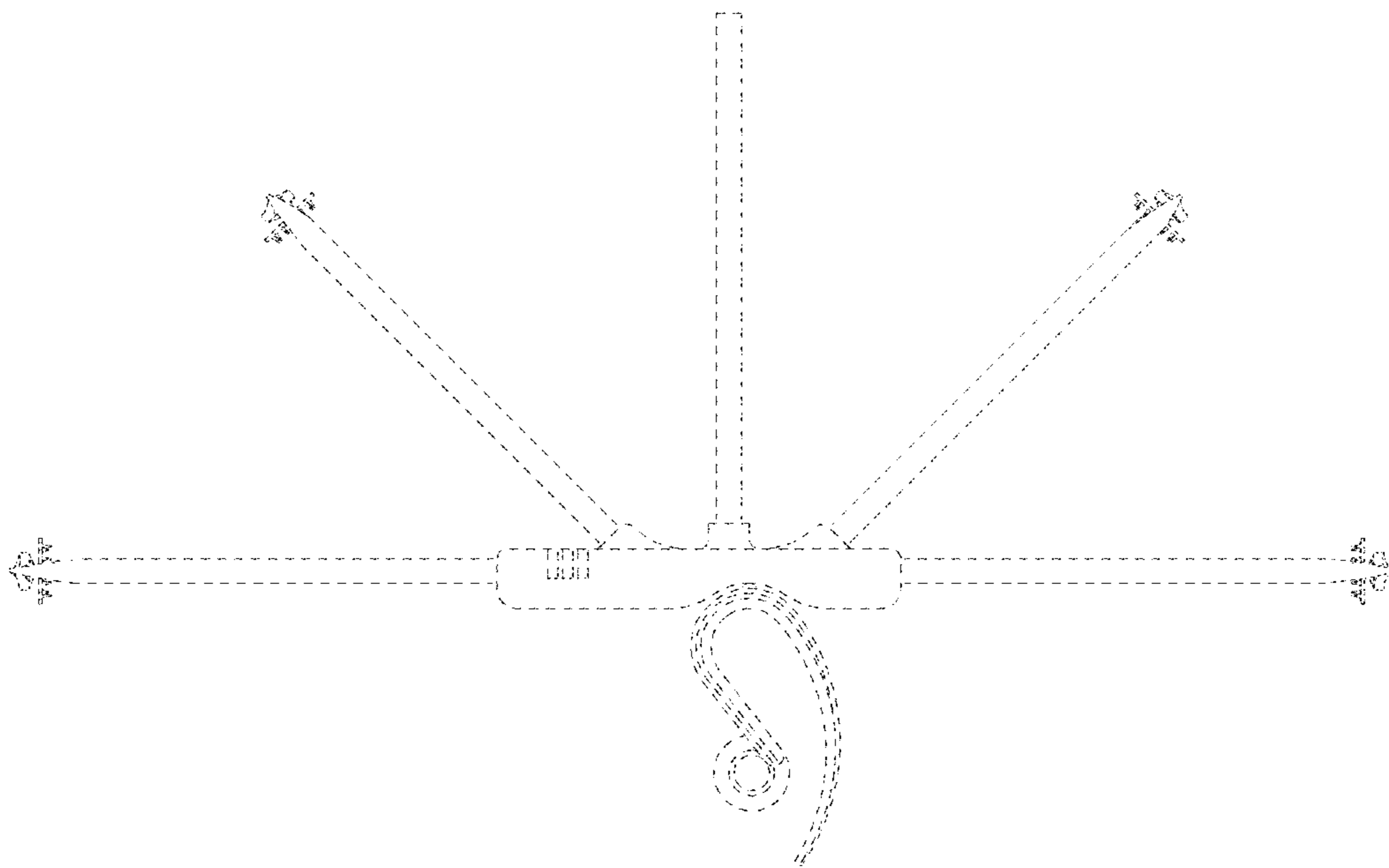


FIG. 5

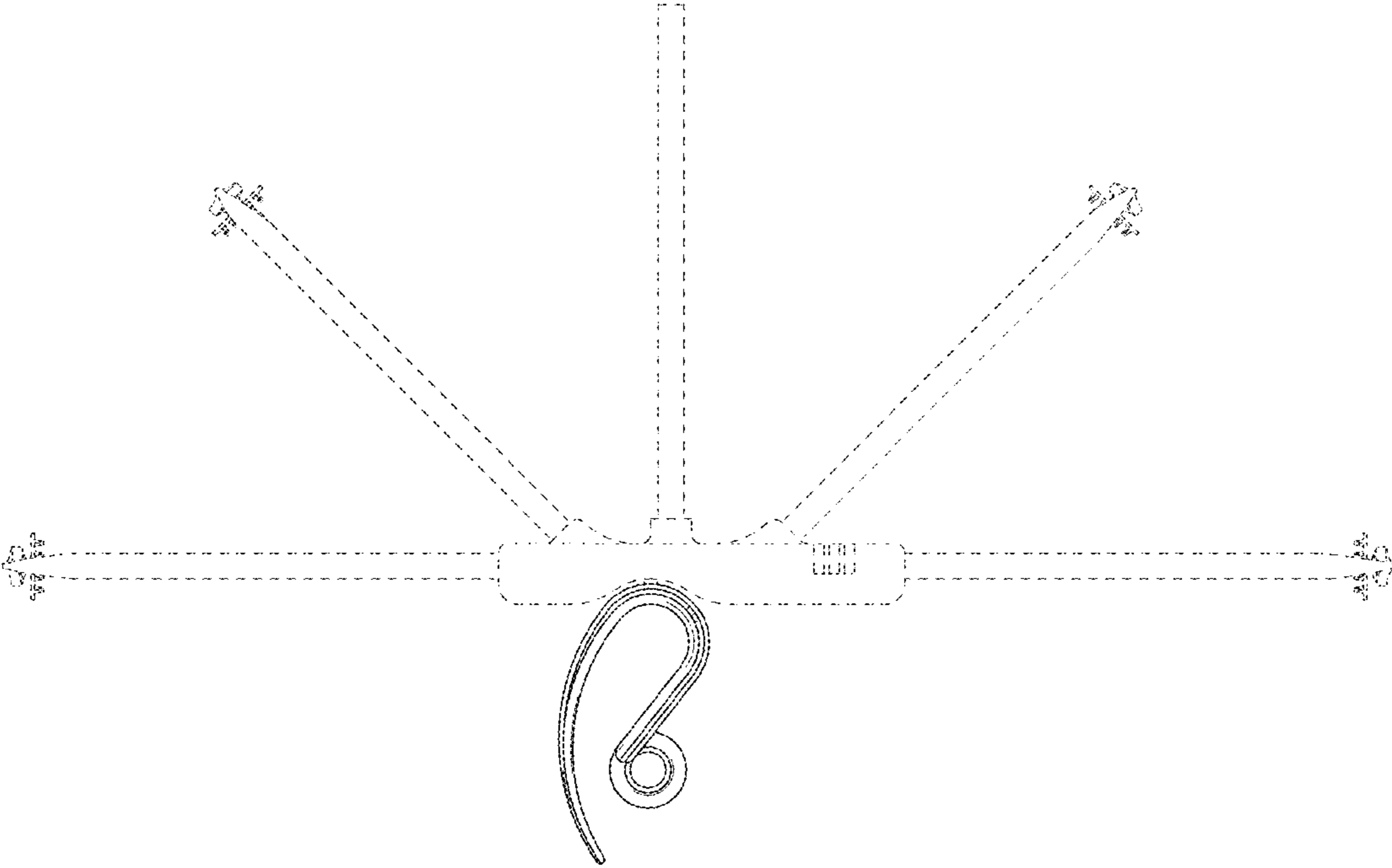


FIG. 6

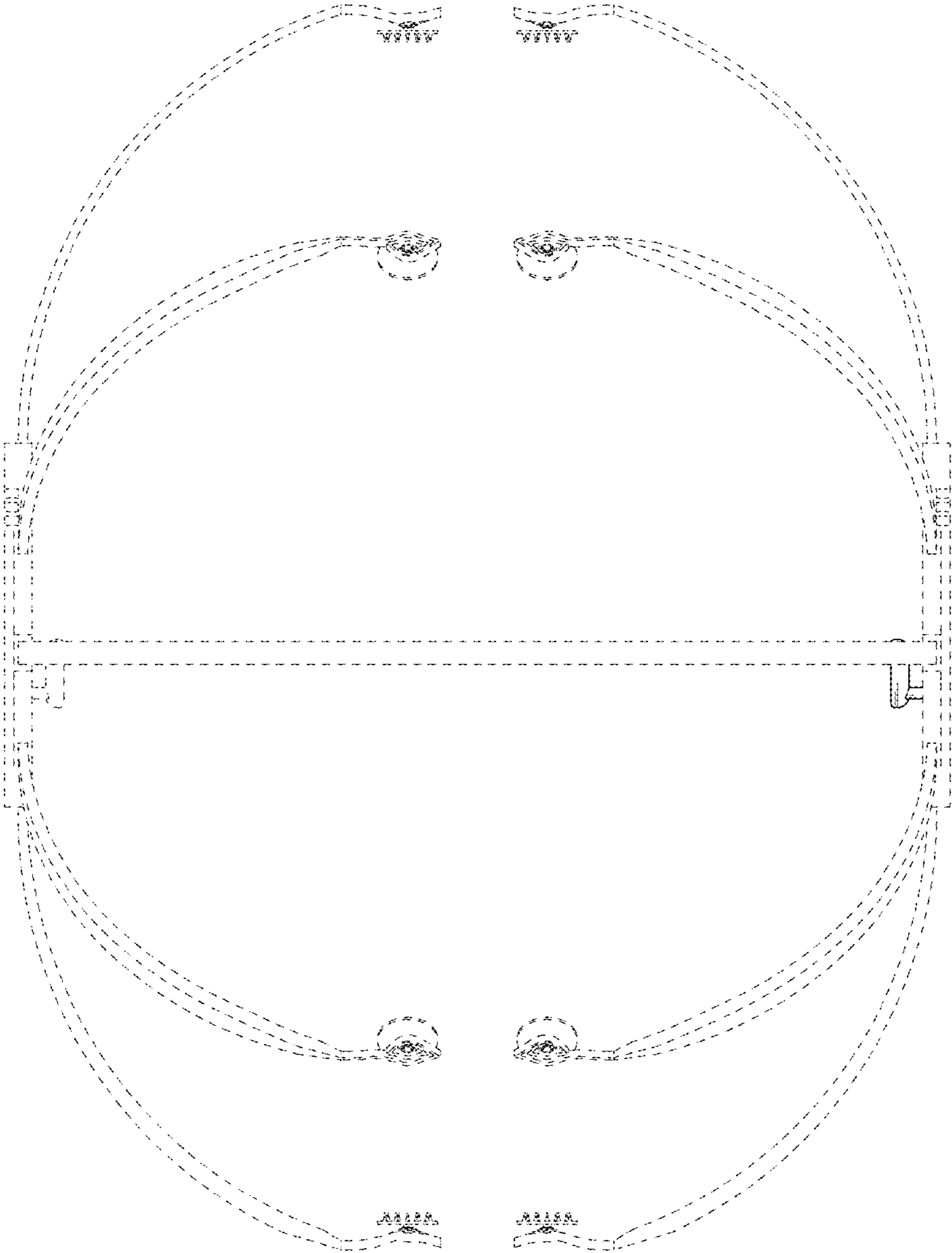


FIG. 7

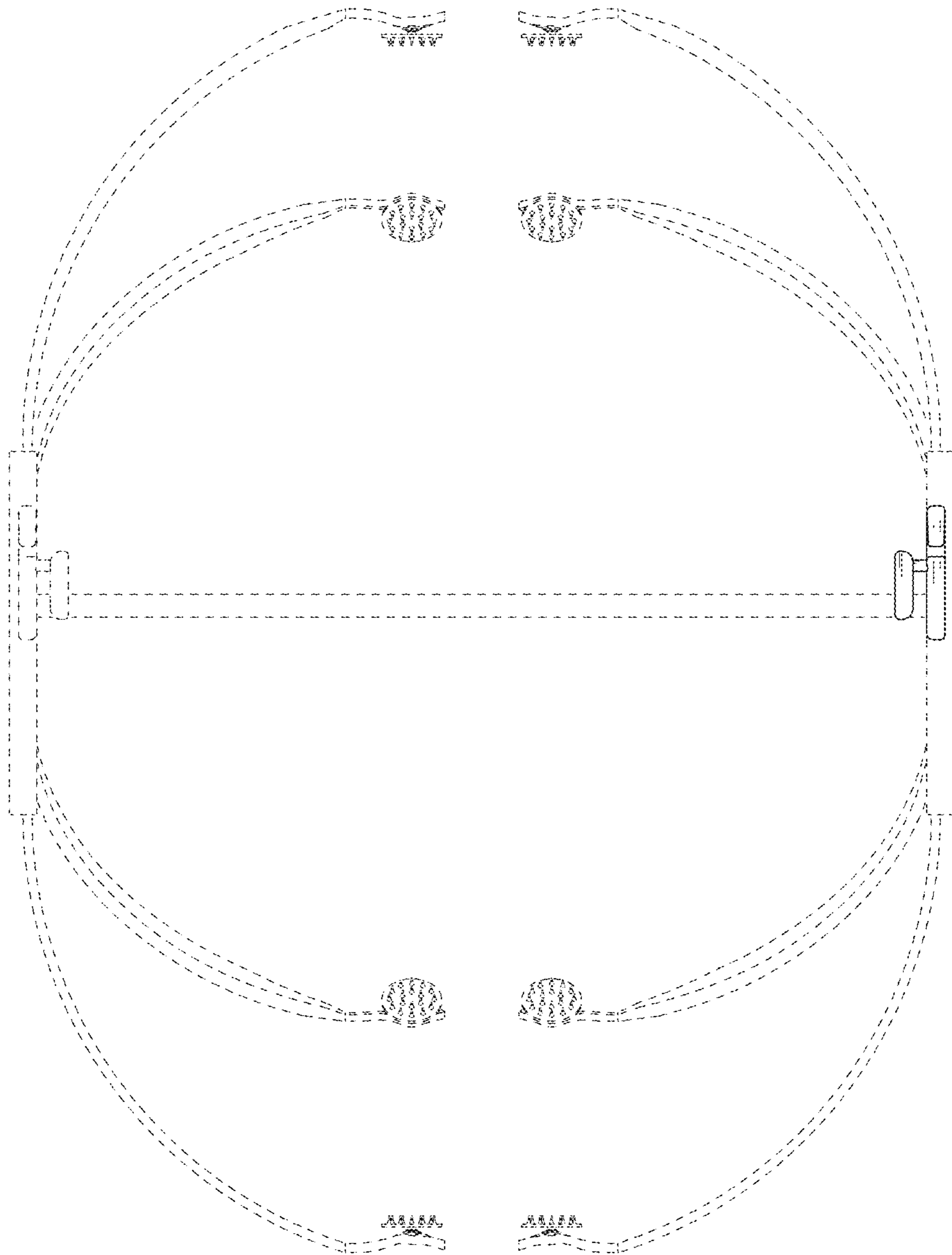


FIG. 8

