



US00D771817S

(12) **United States Design Patent** (10) **Patent No.:** **US D771,817 S**  
**Barak et al.** (45) **Date of Patent:** **\*\* Nov. 15, 2016**

(54) **COMBINED CART-MOUNTED DISPLAY AND COMPUTER FOR INTRAORAL SCANNER**

D629,524 S 12/2010 Zeller et al.  
D630,747 S 1/2011 Shinohara  
D648,855 S 11/2011 Smith et al.

(71) Applicant: **Align Technology, Inc.**, San Jose, CA (US)

(Continued)

(72) Inventors: **Amit Barak**, Tel Aviv (IL); **Arye Krasavets**, Jerusalem (IL); **Rami Boltanski**, Kiryat Ono (IL); **Nir Makmel**, Tel Aviv (IL); **Erez Lampert**, Rehovot (IL); **David Altit**, Tel Aviv (IL)

*Primary Examiner* — Anhdao Doan

(74) *Attorney, Agent, or Firm* — Lowenstein Sandler LLP

(73) Assignee: **Align Technology, Inc.**, San Jose, CA (US)

(57) **CLAIM**

The ornamental design for a combined cart-mounted display and computer for intraoral scanner, as shown and described.

(\*\*) Term: **14 Years**

**DESCRIPTION**

(21) Appl. No.: **29/519,758**

FIG. 1 is a perspective view of a combined cart-mounted display and computer for intraoral scanner showing a first embodiment of our new design that includes a cradle for the intraoral scanner and a handle.

(22) Filed: **Mar. 6, 2015**

FIG. 2 is a second perspective view of the first embodiment thereof.

(51) **LOC (10) Cl.** ..... **24-01**

FIG. 3 is a front view of the first embodiment thereof.

(52) **U.S. Cl.**

FIG. 4 is a rear view of the first embodiment thereof.

USPC ..... **D24/160**; D24/176

FIG. 5 is a side view of the first embodiment thereof.

(58) **Field of Classification Search**

FIG. 6 is a side view of the first embodiment thereof.

USPC ..... D24/185, 186, 187, 107, 108, 158–161, D24/152, 176, 177; D14/307

FIG. 7 is a top view of the first embodiment thereof.

CPC ..... A61B 2019/0248; A61B 2019/025;

FIG. 8 is a bottom view of the first embodiment thereof.

A61B 8/42; G03B 42/025; G03B 42/042

FIG. 9 is a perspective view of a second embodiment of a combined cart-mounted display and computer for intraoral scanner. The front, side, top and bottom views of the second embodiment are the same as those of the first embodiment; and,

See application file for complete search history.

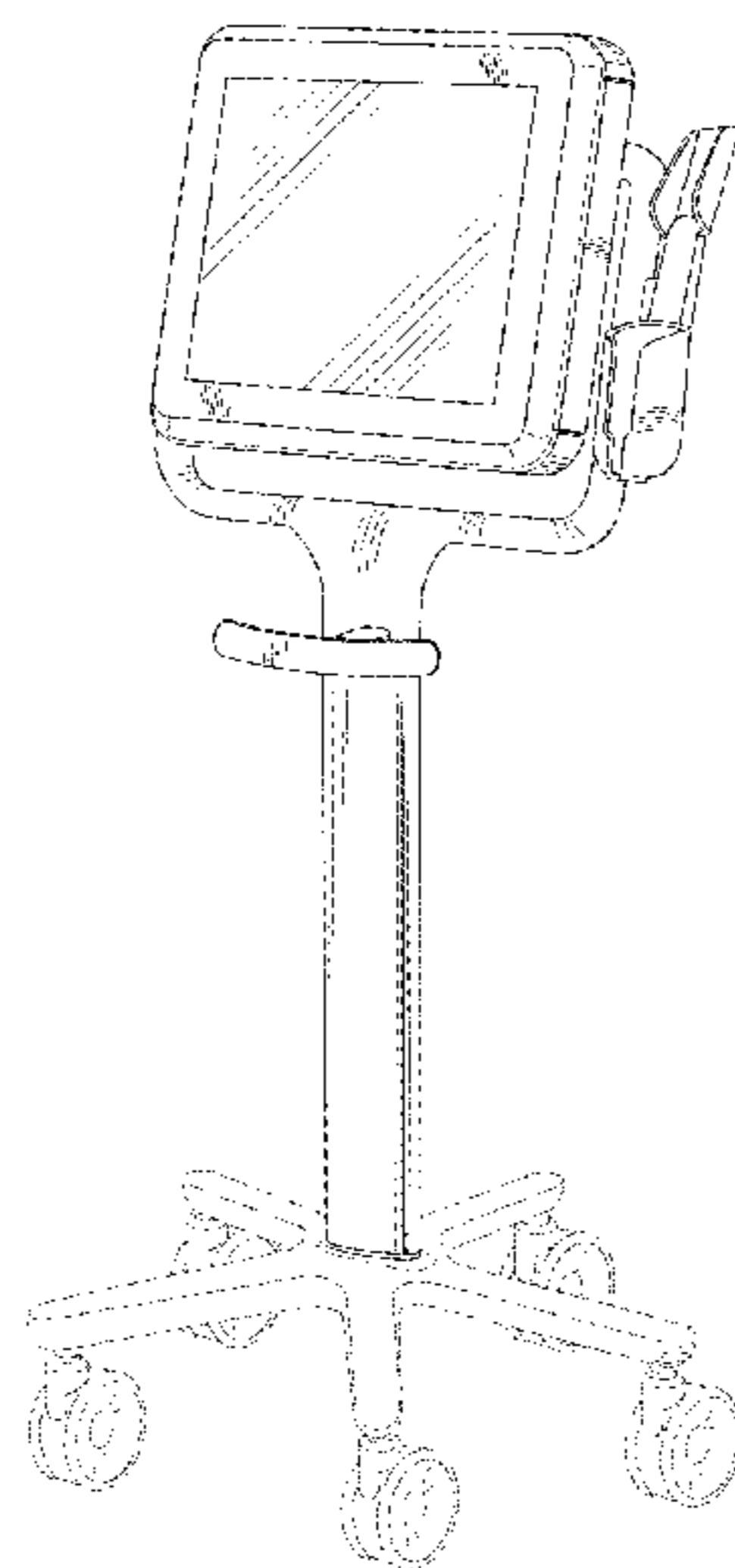
FIG. 10 is a rear view of the second embodiment thereof. The broken lines showing the cord and scanner in FIG. 9 are directed to environmental subject matter and are for illustrative purposes only, while all other broken lines are directed to portions of the combined cart-mounted display and computer for intraoral scanner that form no part of the claimed design; the broken lines form no part of the claimed design.

(56) **References Cited**

U.S. PATENT DOCUMENTS

- D361,619 S 8/1995 Phleps et al.
- D414,867 S 10/1999 Moriwaki et al.
- 6,599,238 B2 7/2003 Ooshima et al.
- D487,805 S 3/2004 Kondo
- 6,761,561 B2 7/2004 Mandelkern et al.
- D532,906 S 11/2006 Kim et al.
- D558,345 S 12/2007 Witt
- D562,456 S 2/2008 Scruggs et al.
- D585,554 S 1/2009 Suzuki

**1 Claim, 10 Drawing Sheets**



(56)

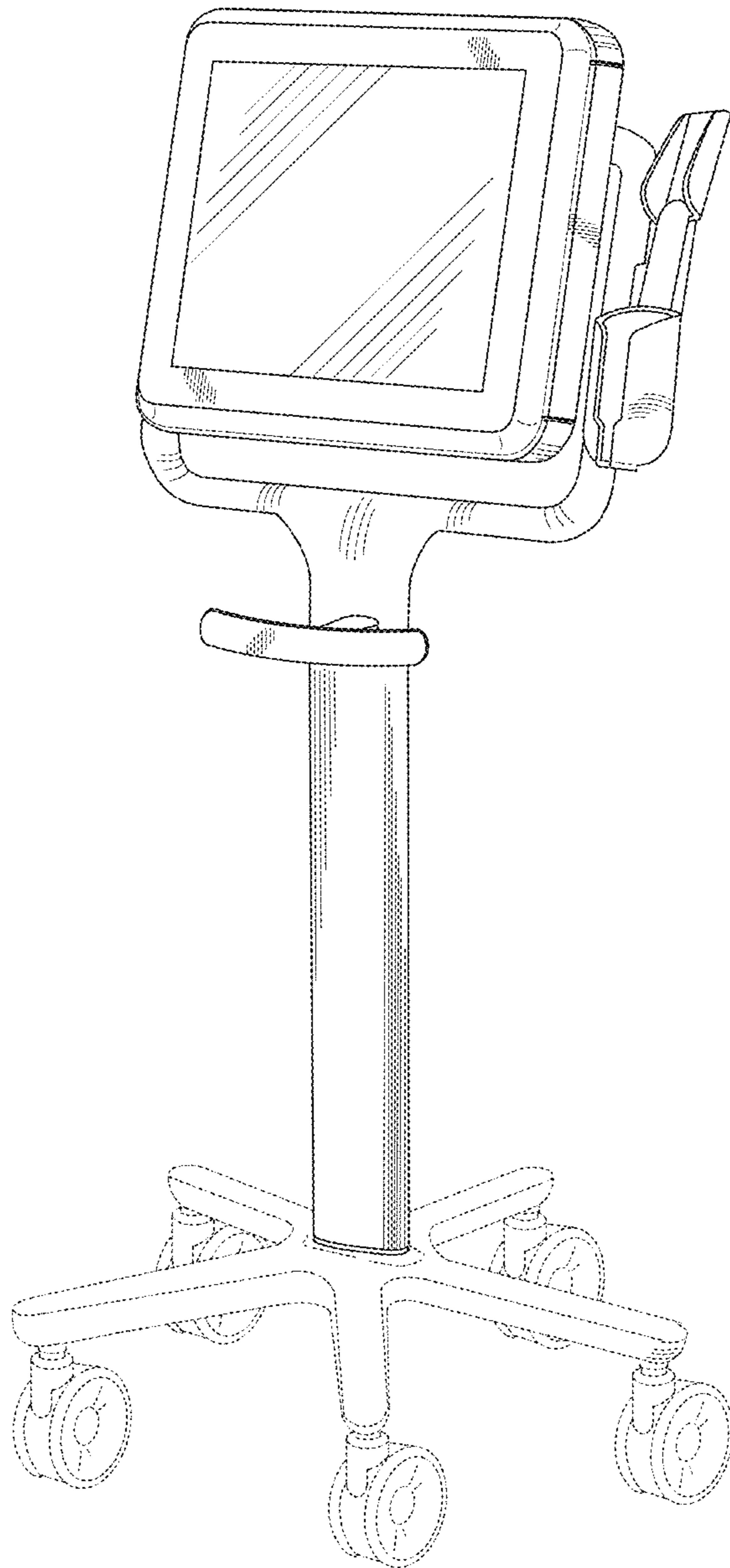
**References Cited**

U.S. PATENT DOCUMENTS

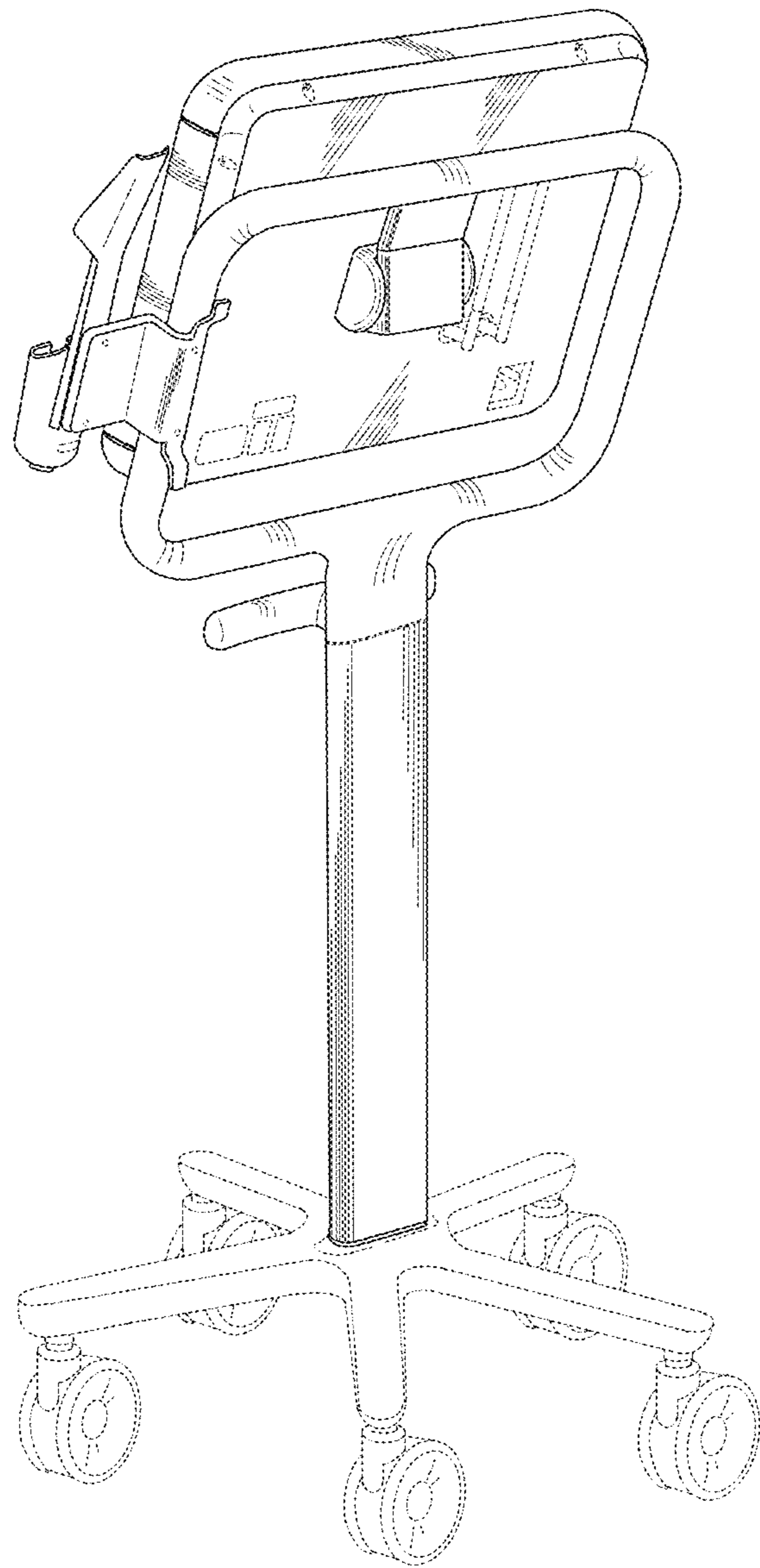
D657,470 S 4/2012 Schon et al.  
D658,295 S 4/2012 Geijsen et al.  
8,167,805 B2 5/2012 Emery et al.  
D697,622 S 1/2014 Chung et al.

D711,951 S 8/2014 Mazuir  
D712,037 S \* 8/2014 Hansen ..... D24/158  
2013/0034825 A1 2/2013 Phillips et al.  
2013/0183633 A1 7/2013 Dillon et al.  
2013/0203010 A1 8/2013 Inglese et al.  
2014/0302452 A1 10/2014 Hack

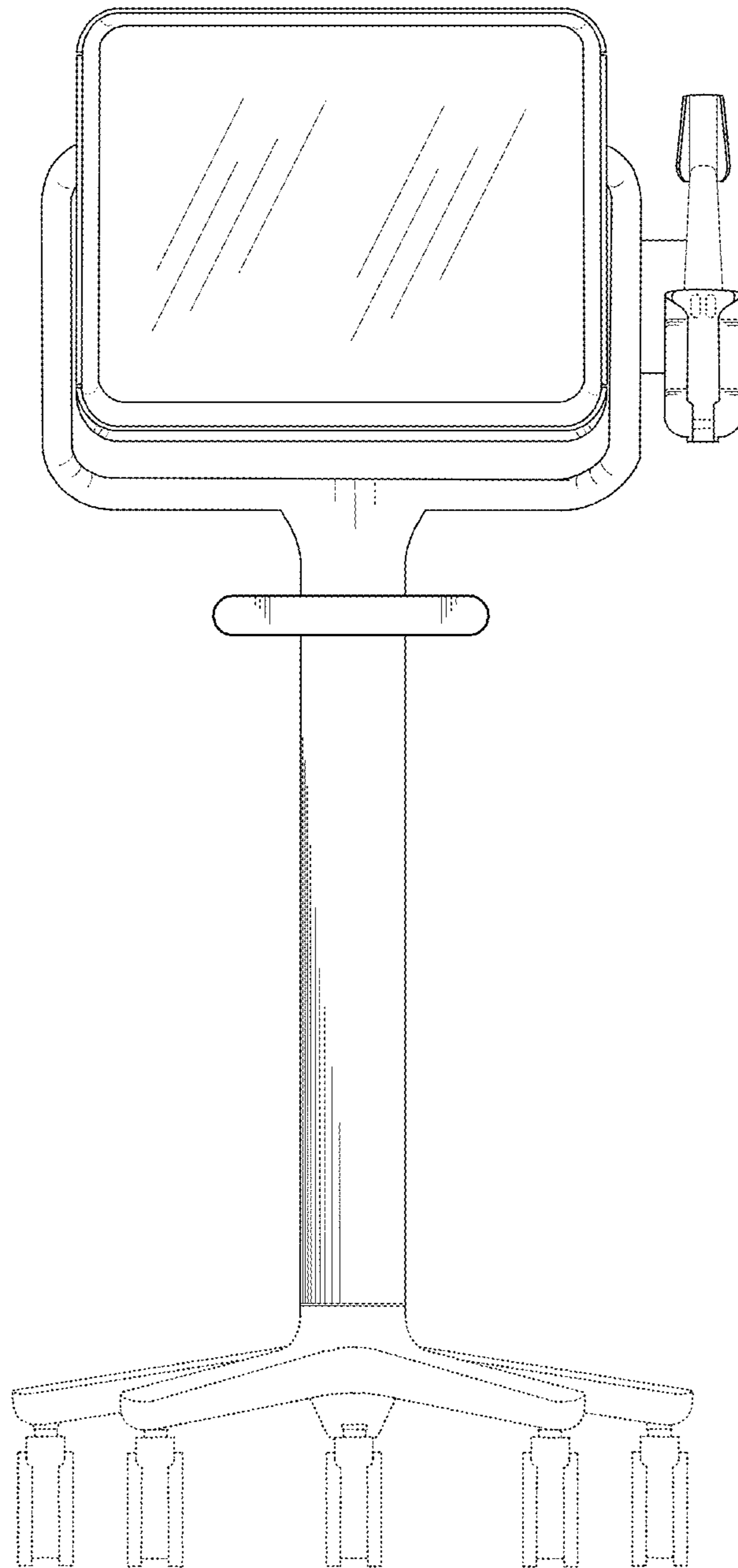
\* cited by examiner



**FIG. 1**



**FIG. 2**



**FIG. 3**

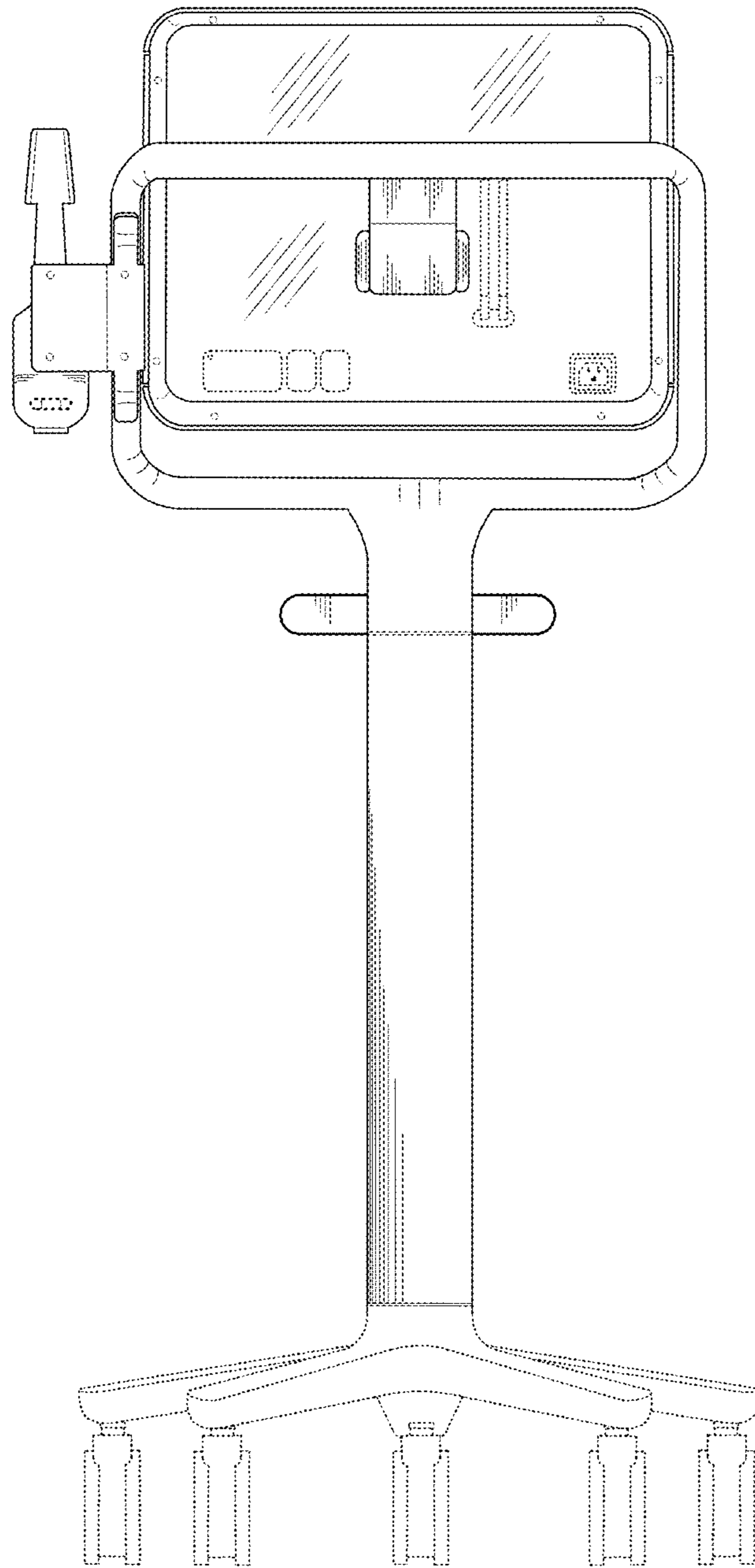


FIG. 4

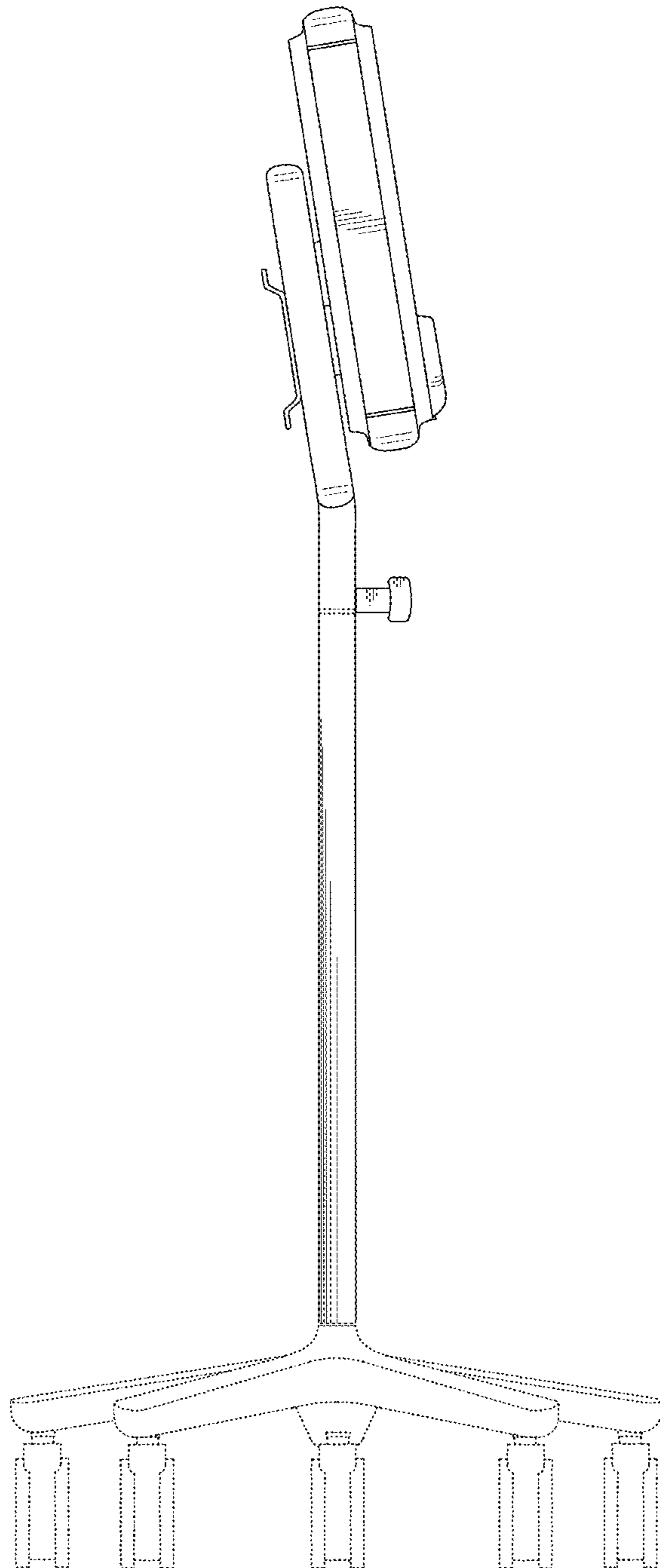
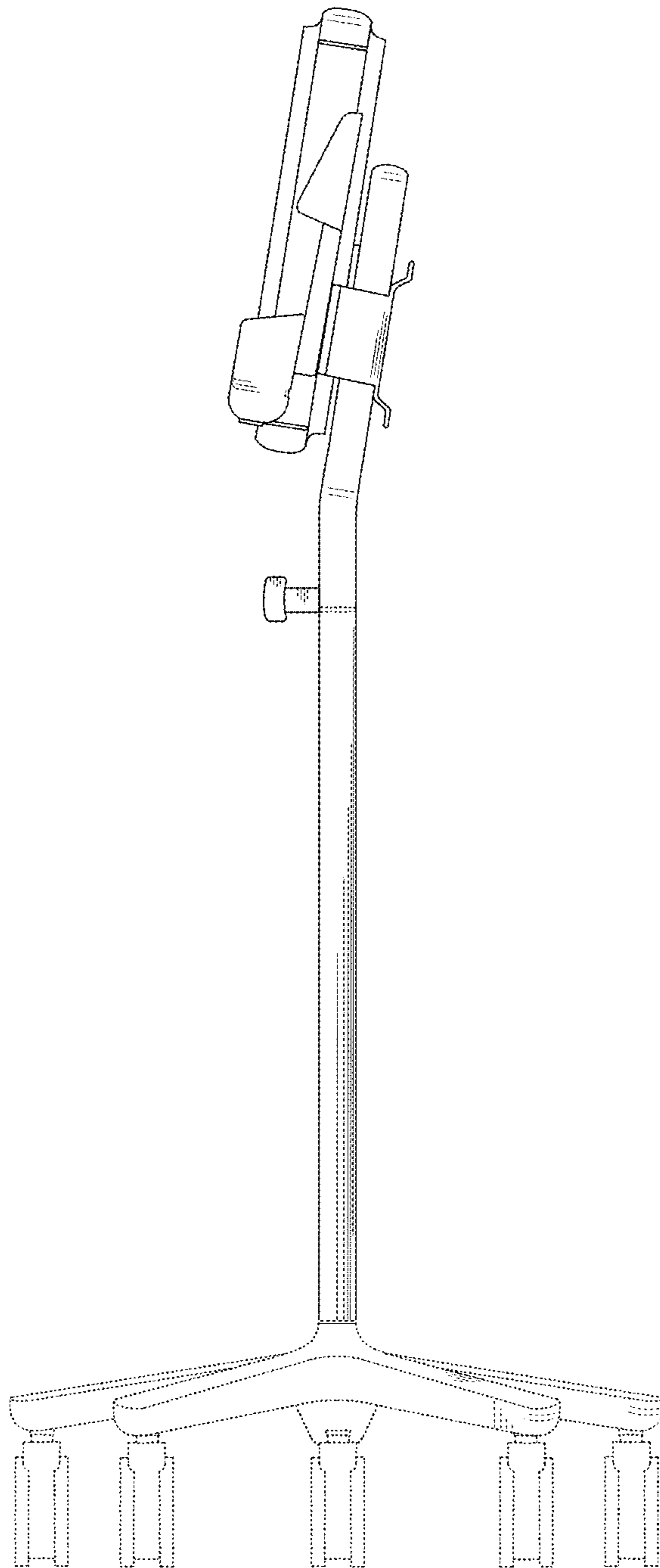


FIG. 5



**FIG. 6**



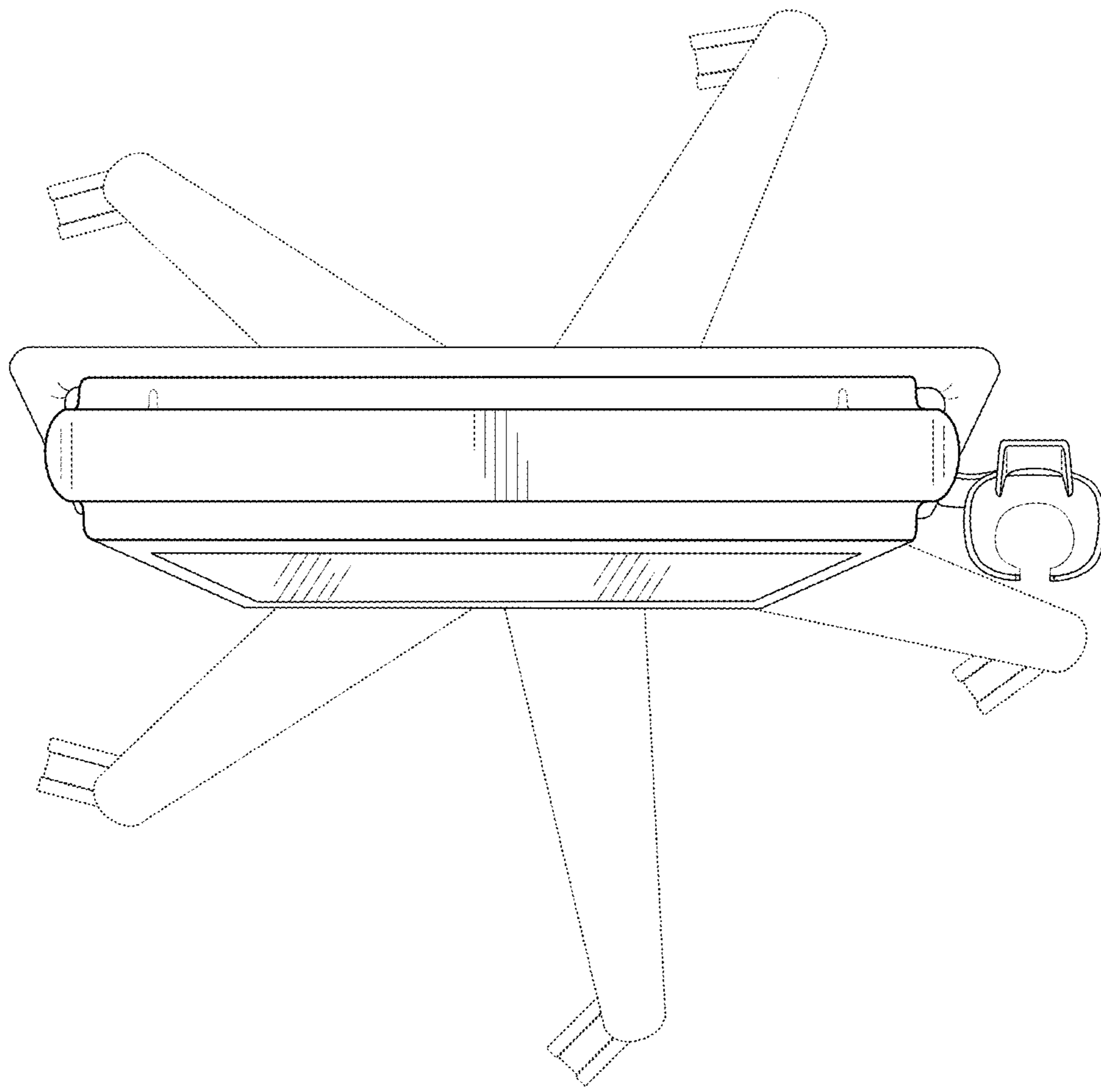


FIG. 7

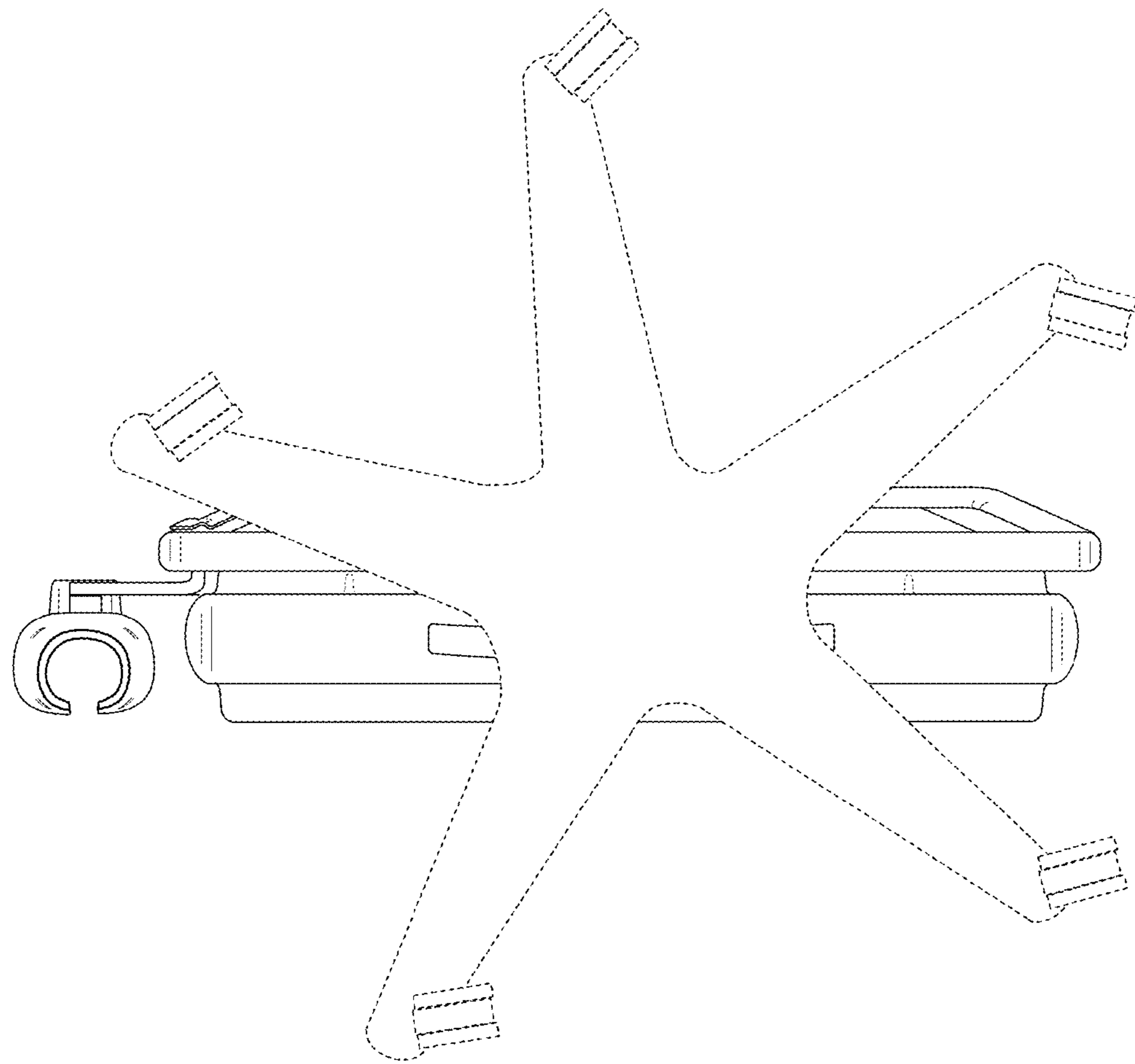


FIG. 8

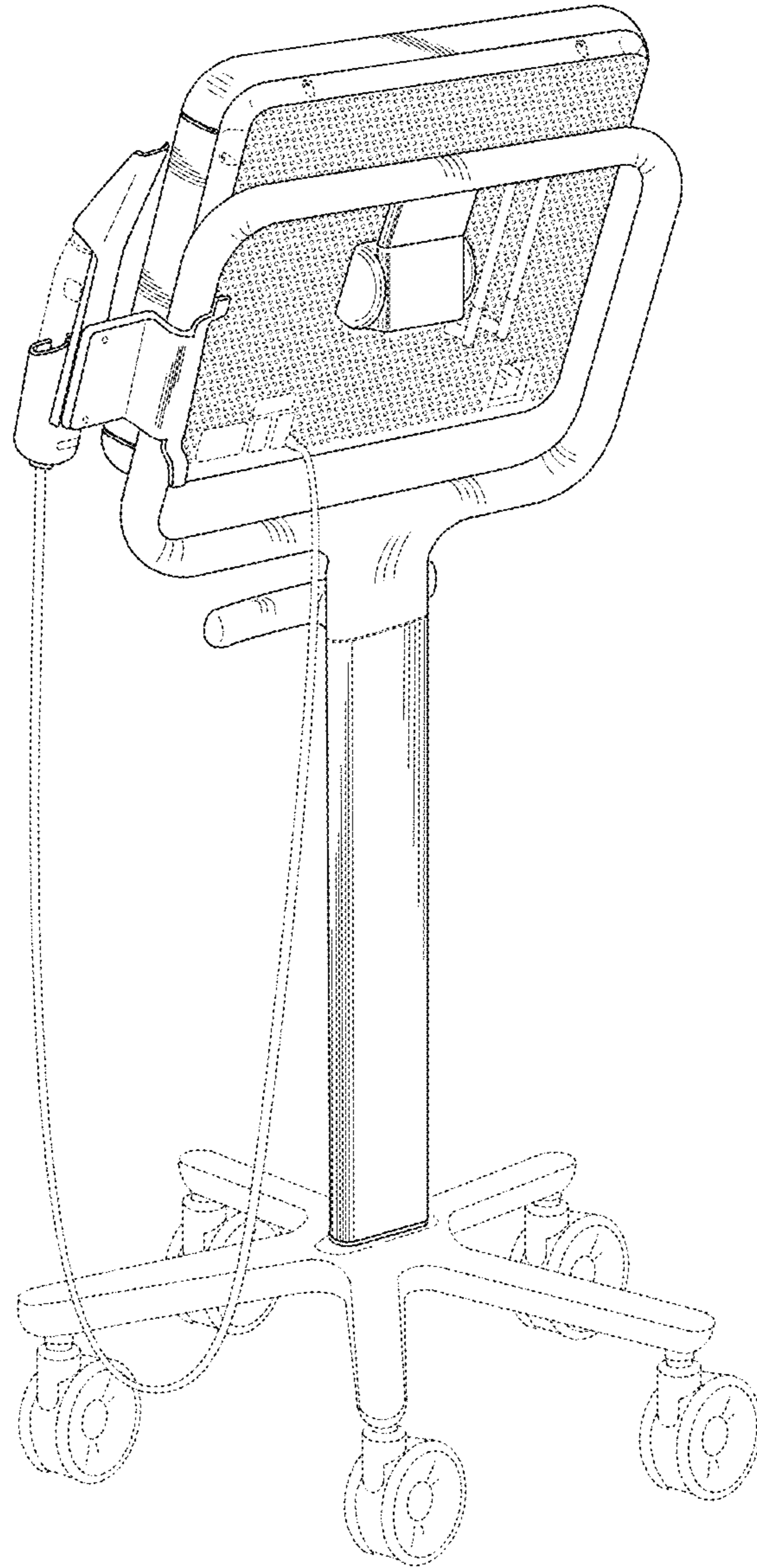


FIG. 9

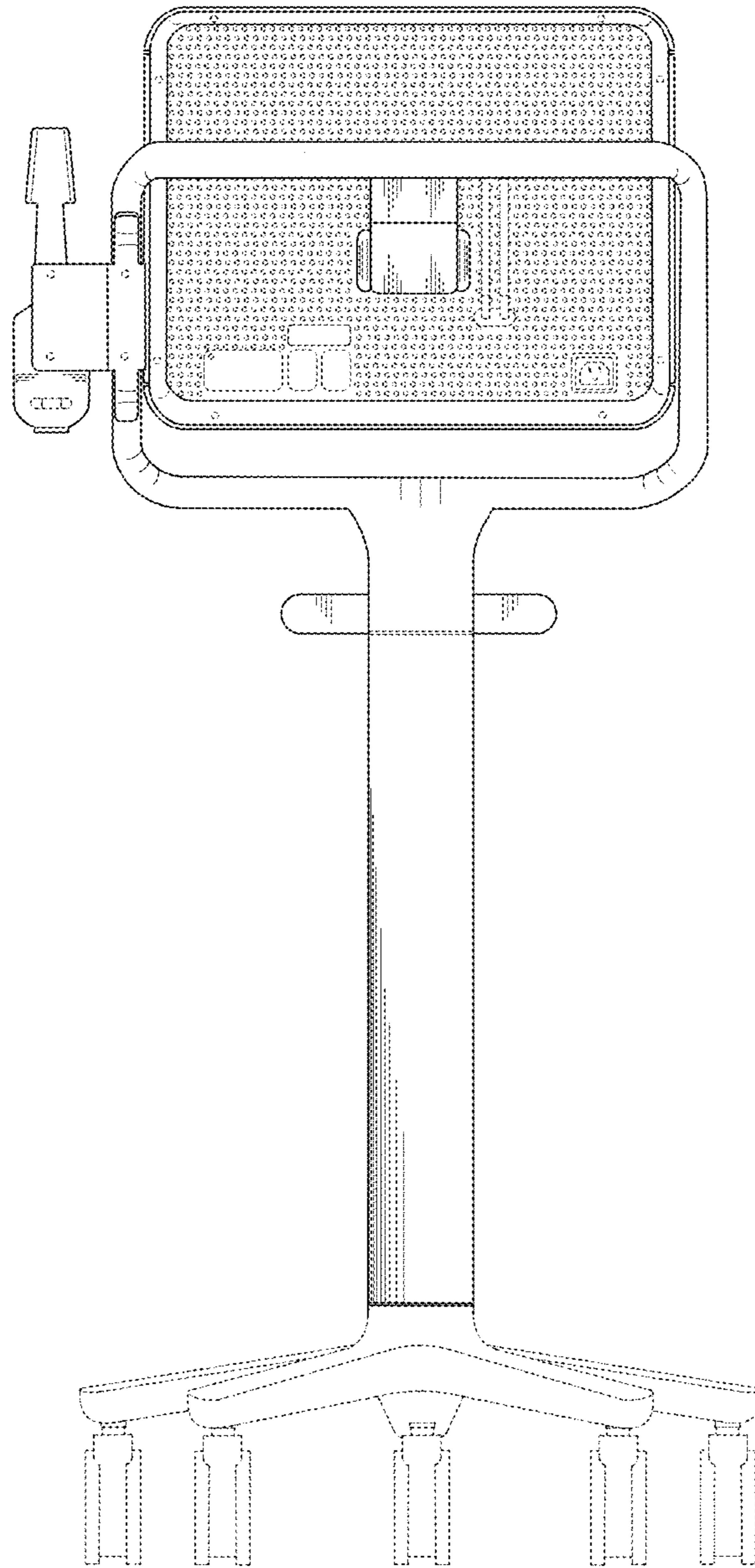


FIG. 10