



US00D771816S

(12) **United States Design Patent**  
**Park et al.**

(10) **Patent No.:** **US D771,816 S**

(45) **Date of Patent:** **\*\* Nov. 15, 2016**

(54) **MRI**  
(71) Applicant: **Samsung Electronics Co., Ltd.**,  
Suwon-si (KR)  
(72) Inventors: **Jin Soo Park**, Seoul (KR); **Yeon Moo Chung**, Seoul (KR)

(73) Assignee: **Samsung Electronics Co., Ltd.**,  
Suwon-si (KR)

(\*\*) Term: **14 Years**

(21) Appl. No.: **29/504,514**

(22) Filed: **Oct. 7, 2014**

(30) **Foreign Application Priority Data**

Apr. 9, 2014 (KR) ..... 30-2014-0017868

(51) **LOC (10) Cl.** ..... **24-01**

(52) **U.S. Cl.**  
USPC ..... **D24/158**

(58) **Field of Classification Search**  
USPC ..... D24/158-161, 185, 186, 107  
CPC .... A61B 6/06; A61B 6/4405; A61B 6/4411;  
A61B 6/032; A61B 5/055; G01N 2223/1016;  
G01N 2223/301; G01N 23/046; G01N  
2223/031; G01N 2223/419; G01R 33/48  
See application file for complete search history.

(56) **References Cited**

**U.S. PATENT DOCUMENTS**

D564,096 S \* 3/2008 Banryu ..... D24/158  
D681,207 S \* 4/2013 Ninomiya ..... D24/158

D681,815 S \* 5/2013 Ninomiya ..... D24/158  
D683,025 S \* 5/2013 Banryu ..... D24/158  
D701,309 S \* 3/2014 Ohmukai ..... D24/158  
D702,352 S \* 4/2014 Yokoyama ..... D24/158  
D714,450 S \* 9/2014 Park ..... D24/158  
D715,945 S \* 10/2014 Zhang ..... D24/159  
D738,505 S \* 9/2015 Eberler ..... D24/158

\* cited by examiner

*Primary Examiner* — Anhdao Doan

(74) *Attorney, Agent, or Firm* — NSIP Law

(57) **CLAIM**

We claim the ornamental design for a MRI, as shown and described.

**DESCRIPTION**

FIG. 1 is a front perspective view of a MRI showing our new design;

FIG. 2 is a front view thereof;

FIG. 3 is a rear view thereof;

FIG. 4 is a left-side view thereof;

FIG. 5 is a right-side view thereof;

FIG. 6 is a top view thereof;

FIG. 7 is a bottom view thereof;

FIG. 8 is an enlarged left-side cross-sectional view of a portion taken through lines 8-8, C-C, and D-D of FIG. 2 and lines A-A, B-B, C-C and D-D of FIG. 4; and,

FIG. 9 is another front perspective view thereof.

The broken lines in the figures show portions of the MRI which form no part of the claimed design.

The dot dash lines enclosing portions of the claimed design which are illustrated in enlargements form no part of the claimed design.

**1 Claim, 9 Drawing Sheets**

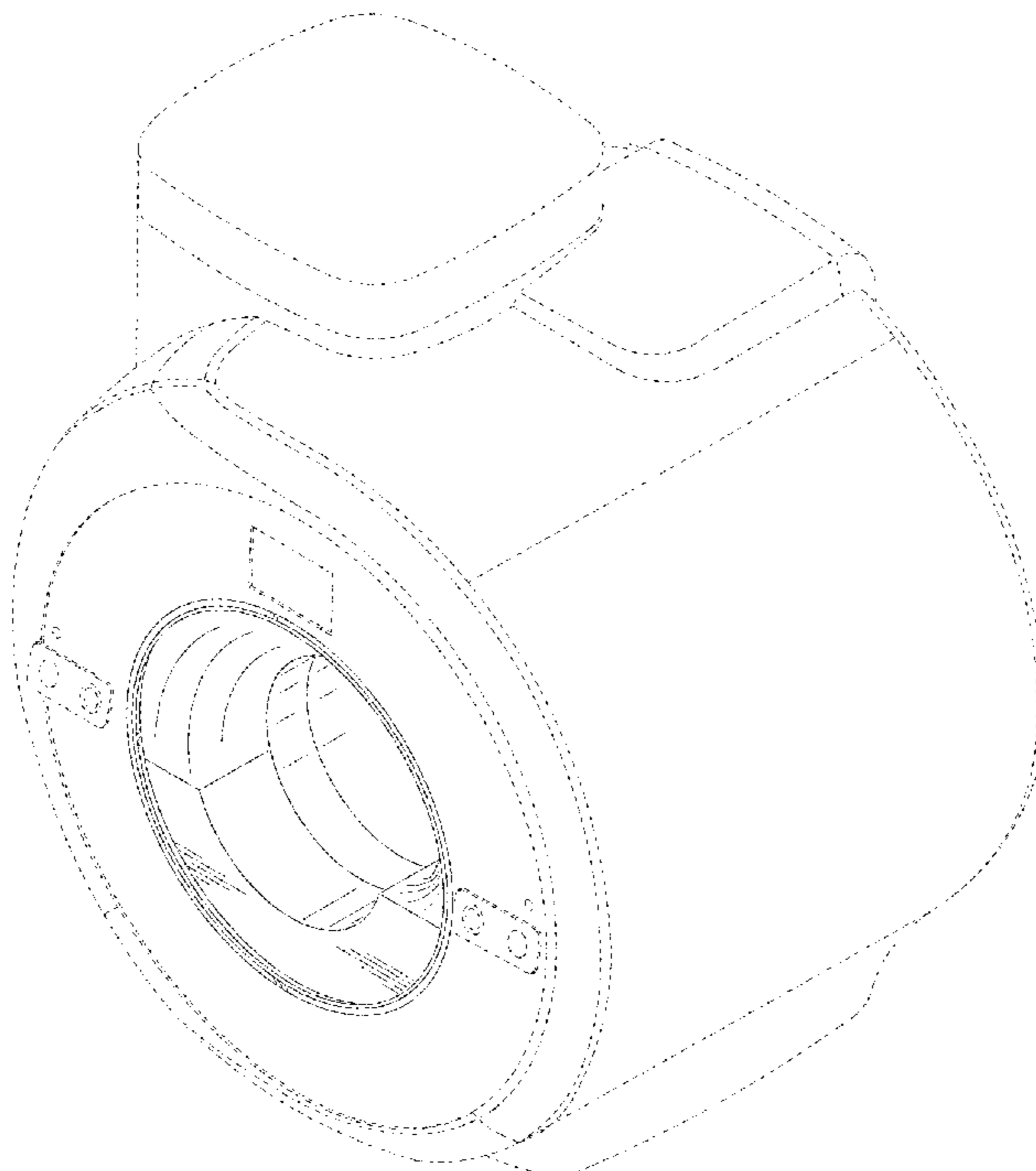


FIG. 1

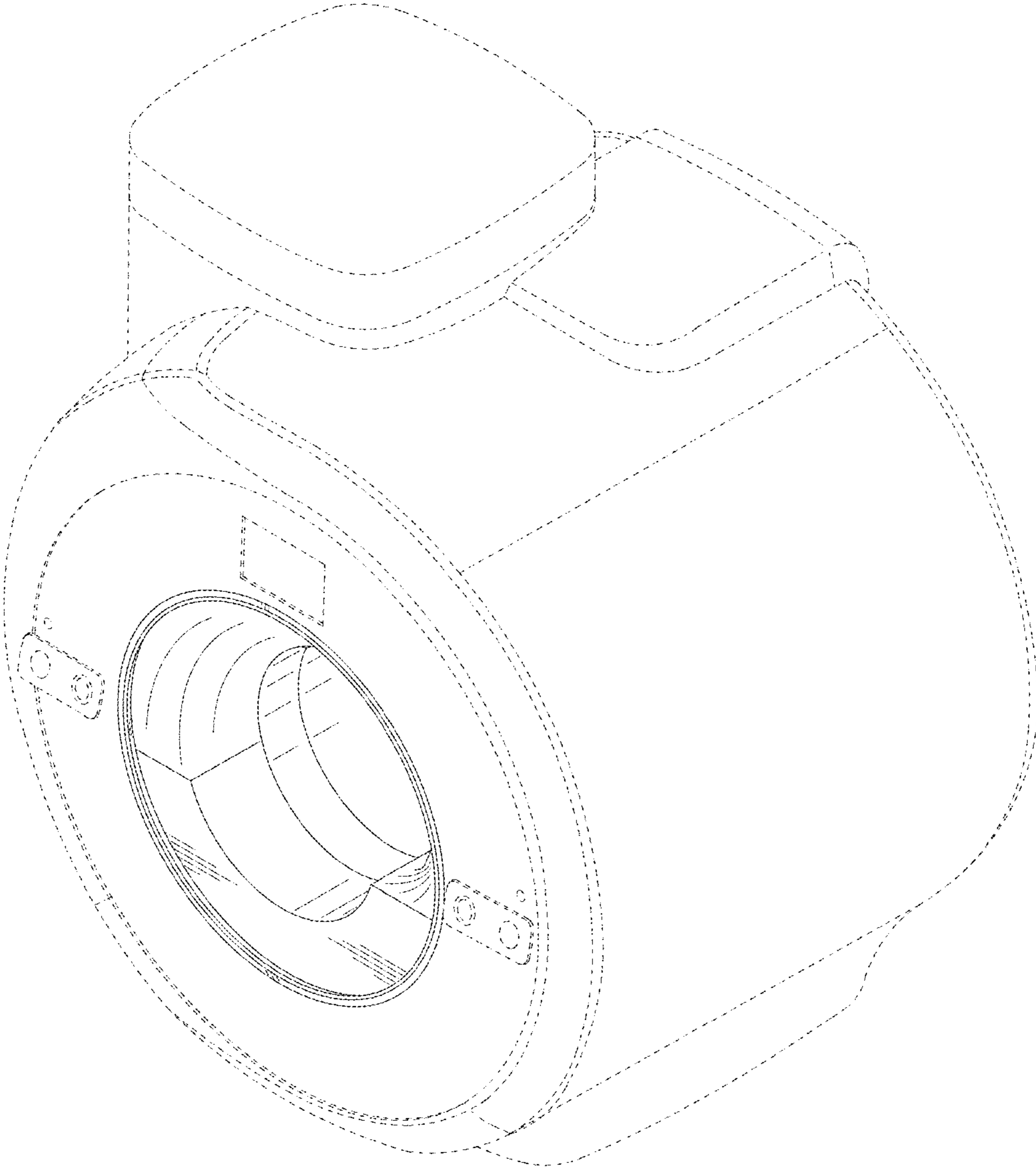


FIG. 2

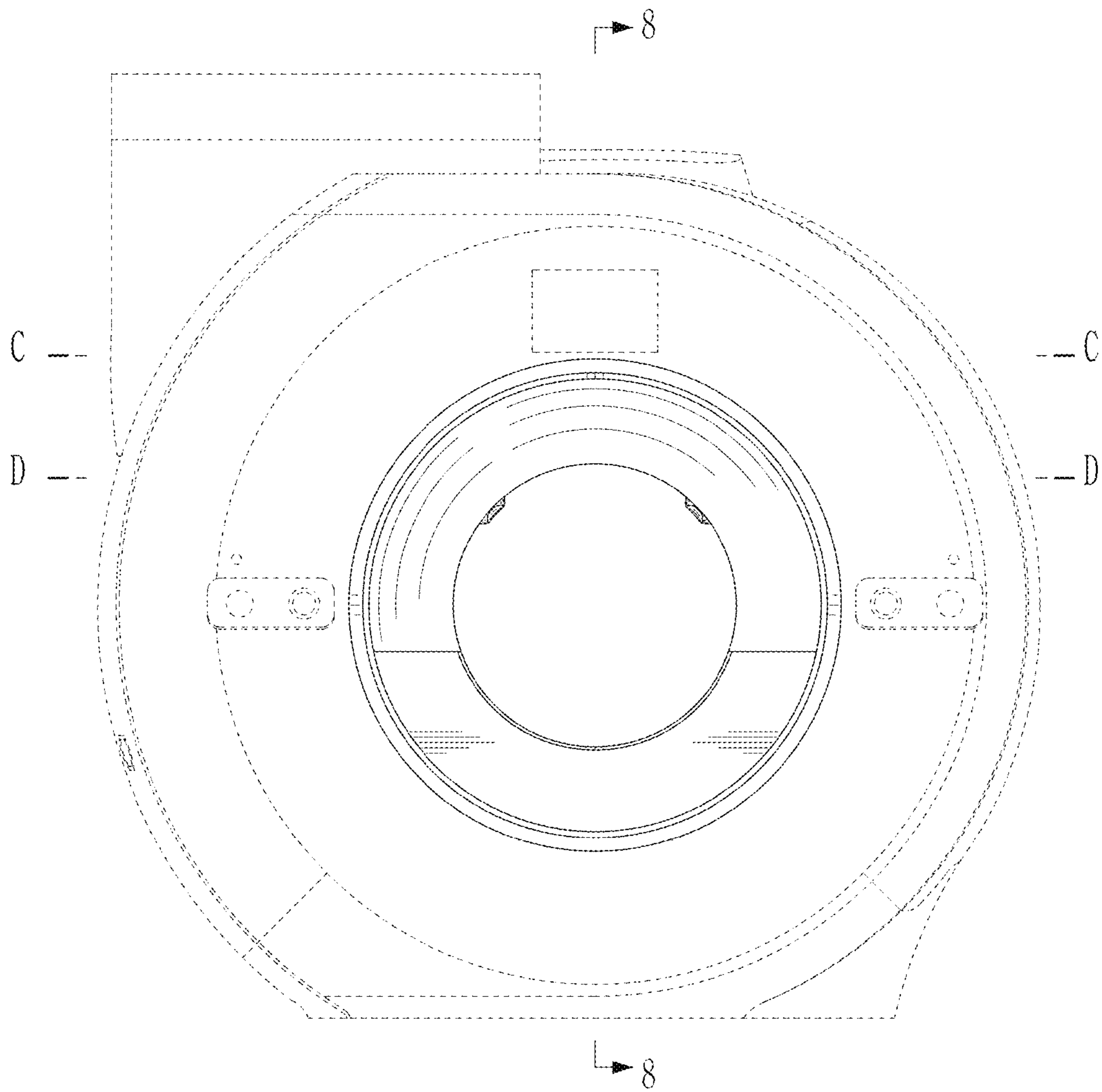


FIG. 3

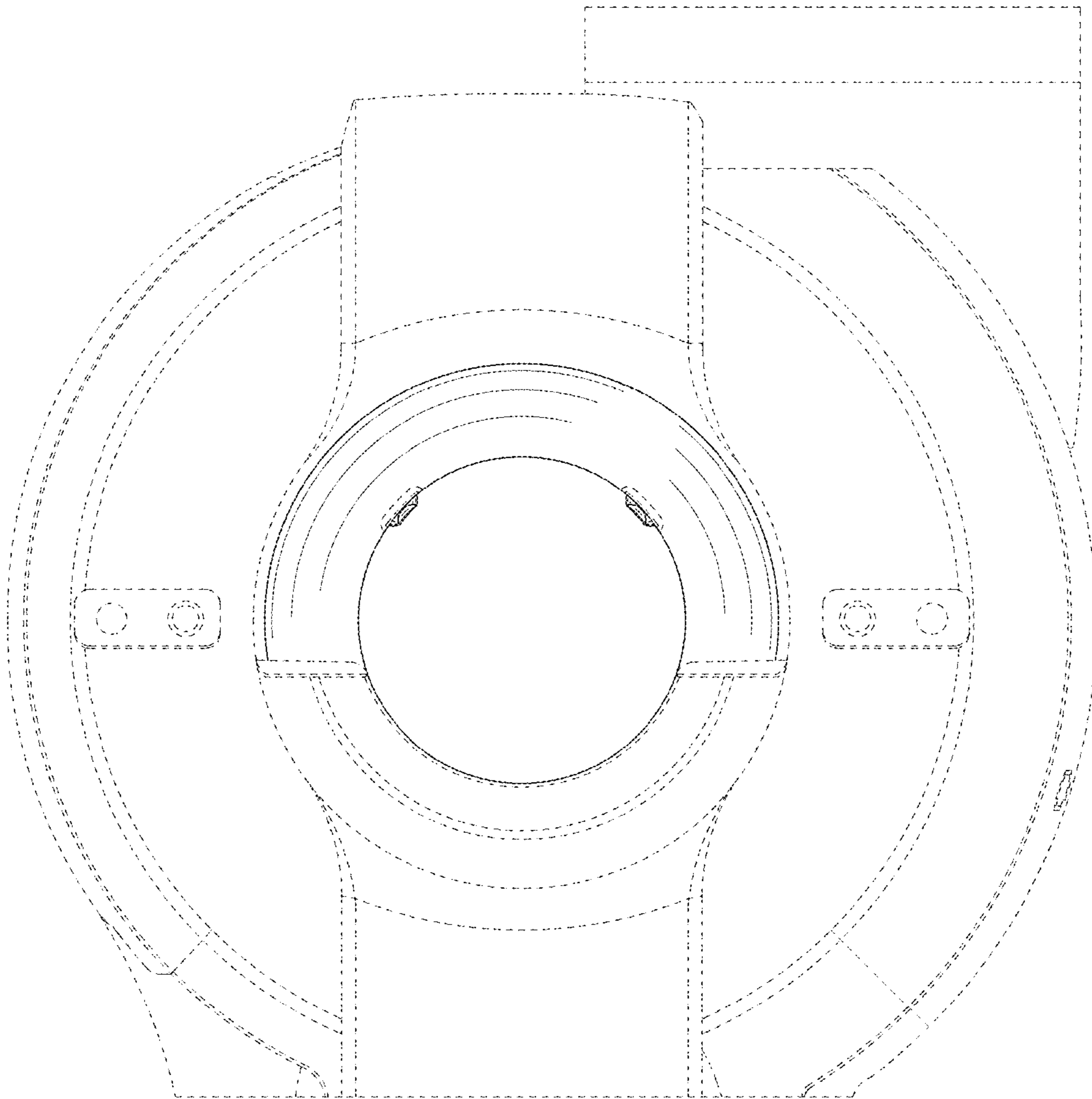


FIG. 4

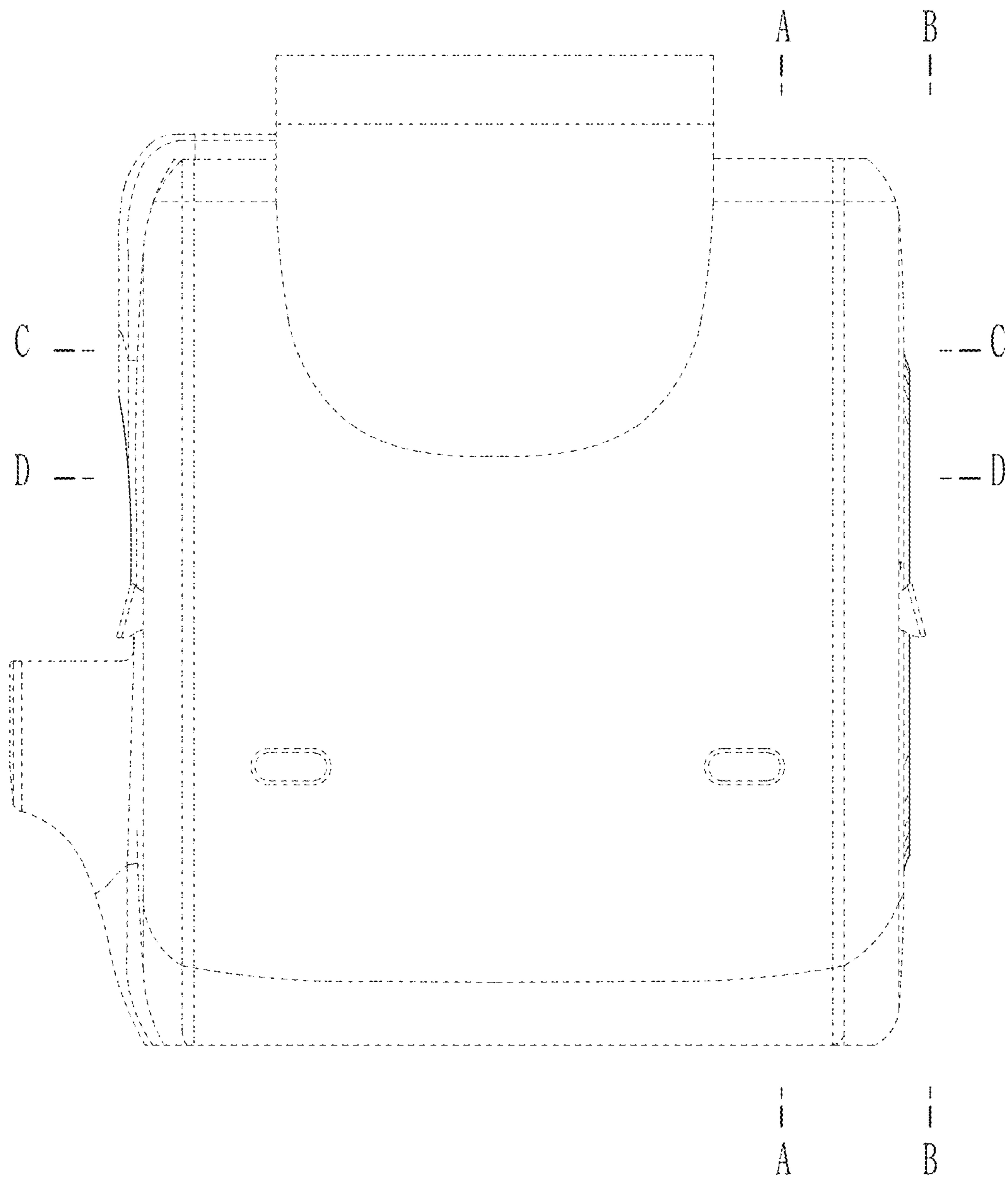


FIG. 5

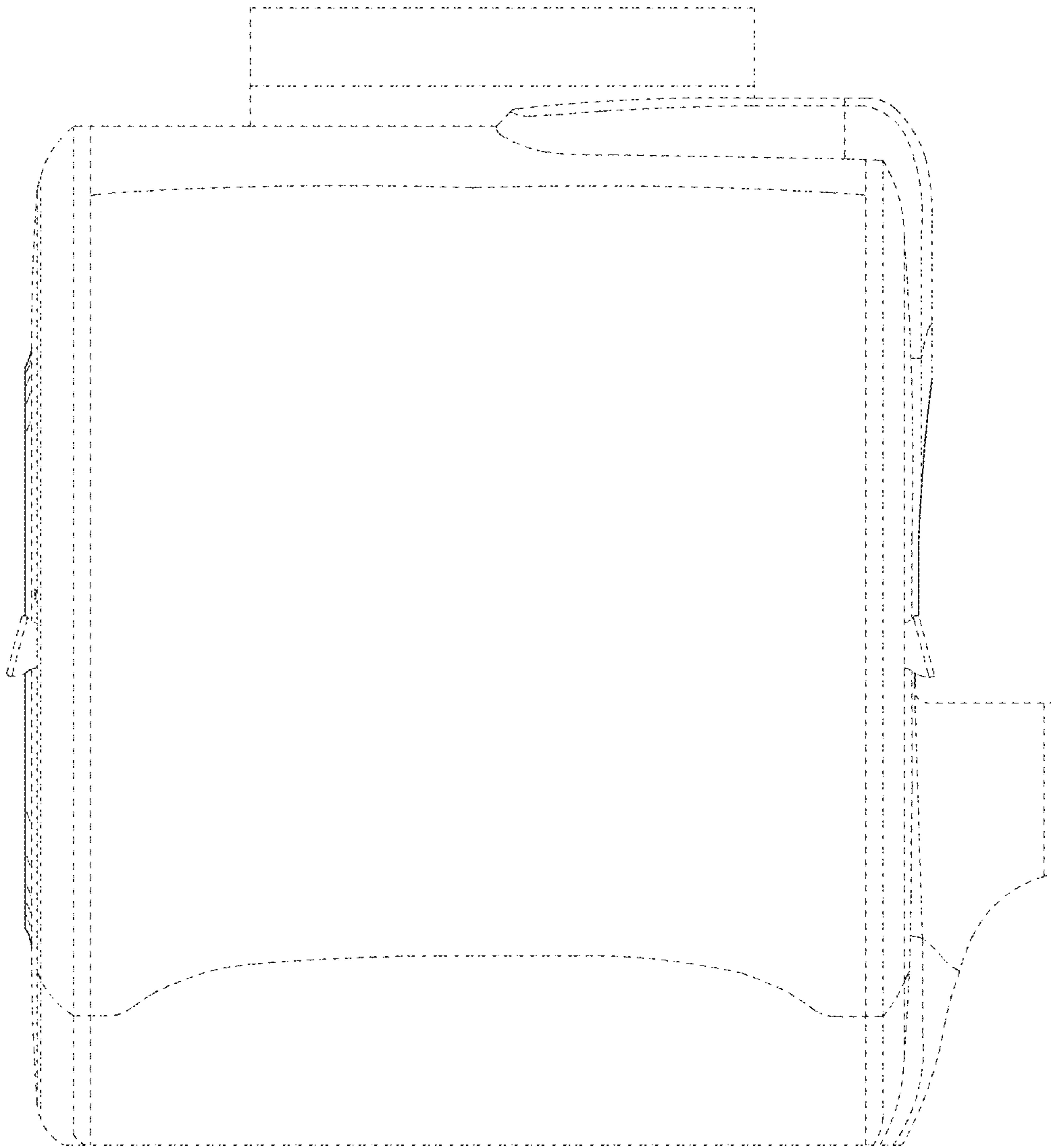


FIG. 6

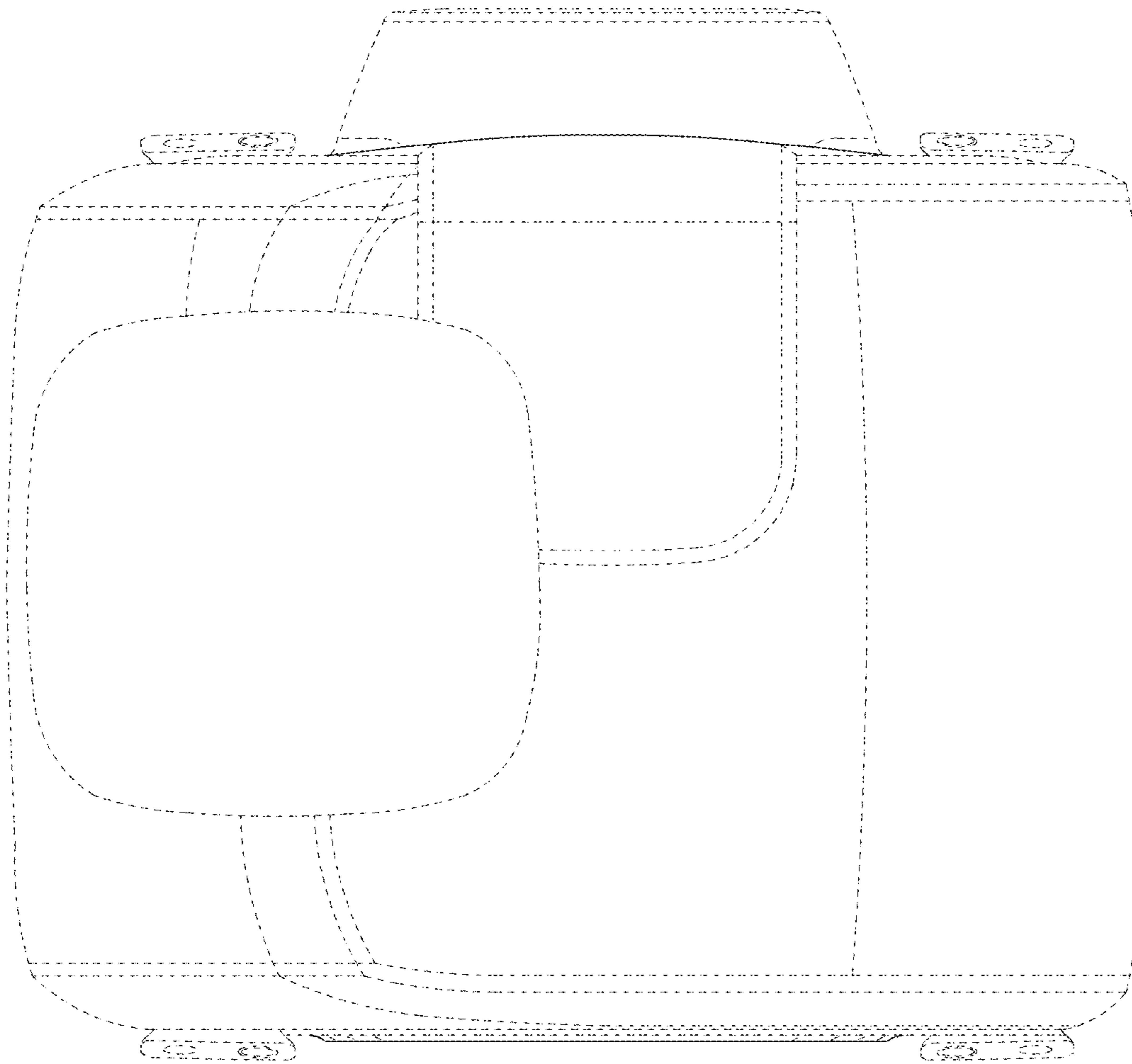


FIG. 7

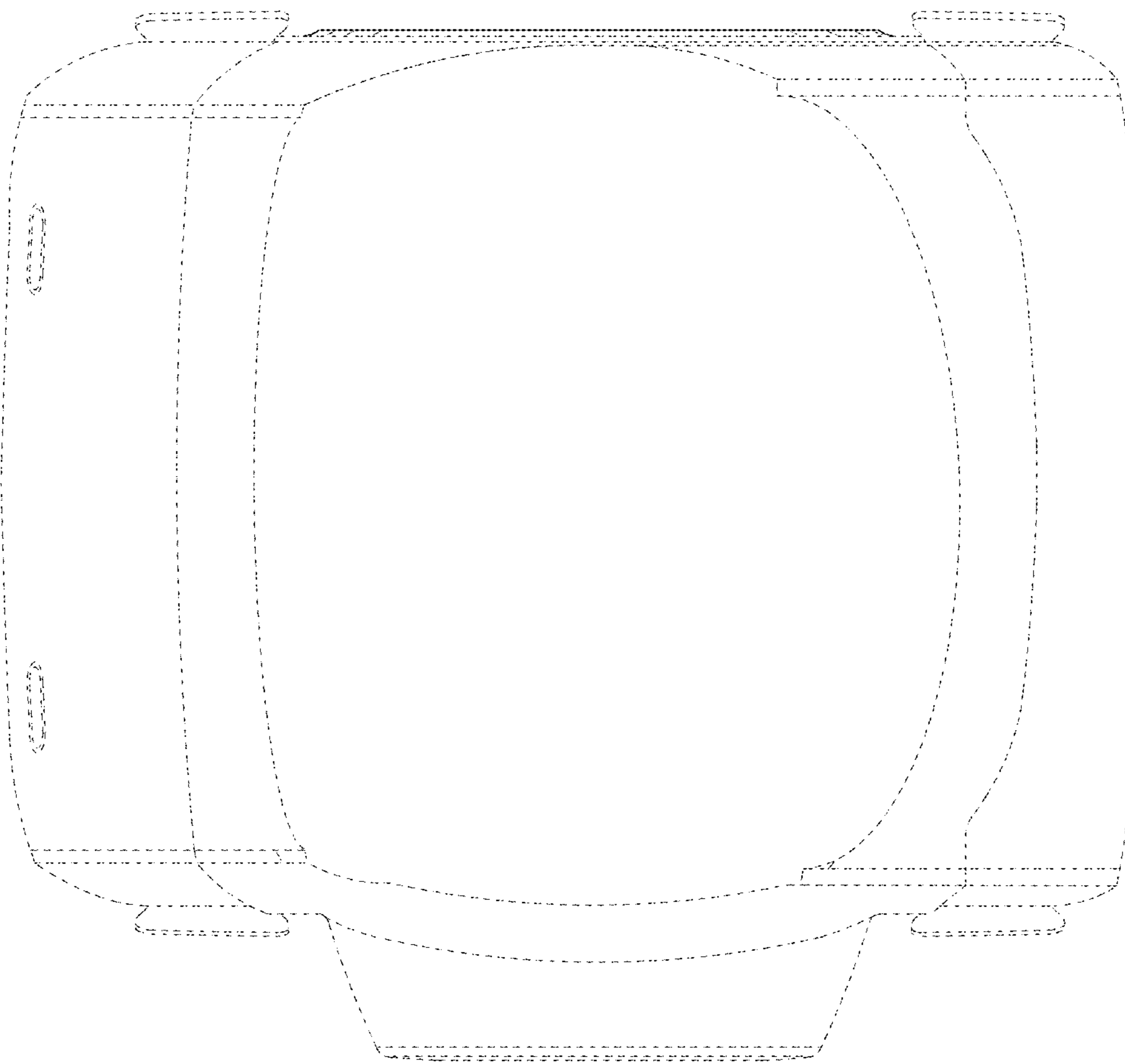




FIG. 8

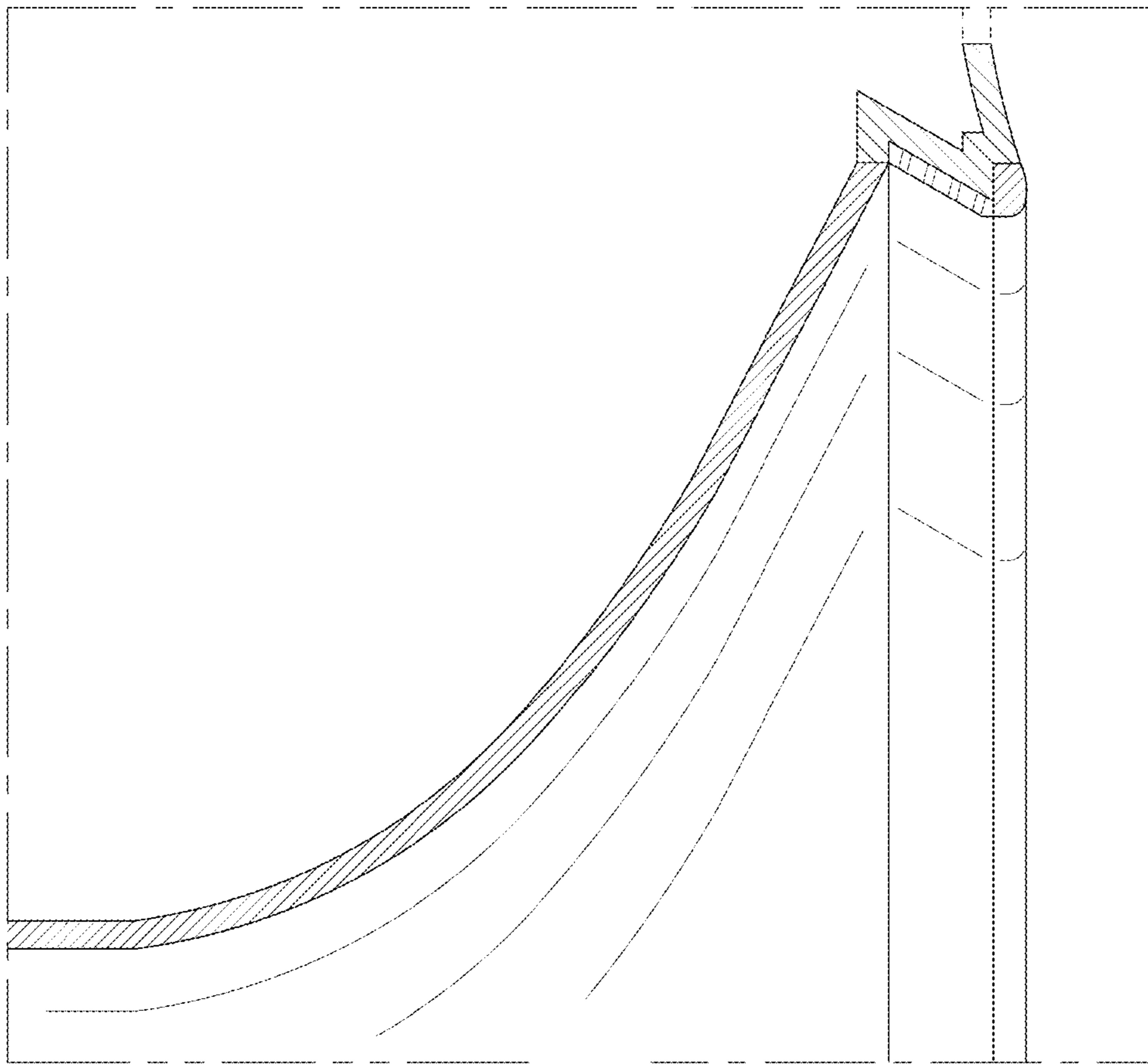


FIG. 9

