



US00D771813S

(12) **United States Design Patent** (10) **Patent No.:** **US D771,813 S**
Ripich et al. (45) **Date of Patent:** **** Nov. 15, 2016**

(54) **TONGUE CLEANING VACUUM ATTACHMENT**

5,893,860 A 4/1999 Ripich et al.
5,916,228 A 6/1999 Ripich et al.
6,083,003 A 7/2000 Kwasnik et al.

(Continued)

(71) Applicants: **Robert J. Ripich**, Canton, OH (US);
David J. Boord, North Canton, OH (US)

Primary Examiner — Ian Simmons

Assistant Examiner — Samantha Q Lawrence

(72) Inventors: **Robert J. Ripich**, Canton, OH (US);
David J. Boord, North Canton, OH (US)

(74) *Attorney, Agent, or Firm* — Zollinger & Burleson Ltd.

(**) Term: **14 Years**

(57) **CLAIM**

The ornamental design for a tongue cleaning vacuum attachment, as shown and described.

(21) Appl. No.: **29/516,374**

(22) Filed: **Jan. 31, 2015**

DESCRIPTION

(51) **LOC (10) Cl.** **24-02**

(52) **U.S. Cl.**

USPC **D24/146**

(58) **Field of Classification Search**

USPC D24/133, 136, 146, 147; D4/104, 108, D4/110, 111, 112; 433/91, 95; 606/161

See application file for complete search history.

FIG. 1 is a top perspective view of a first embodiment of the tongue cleaning vacuum attachment showing our new design.

FIG. 2 is a top plan view thereof.

FIG. 3 is a right side elevation view thereof.

FIG. 4 is a left side elevation view thereof.

FIG. 5 is a bottom plan view thereof.

FIG. 6 is a front elevation view thereof.

FIG. 7 is a rear elevation view thereof.

FIG. 8 is a bottom perspective view thereof.

FIG. 9 is a top perspective view of a second embodiment of the tongue cleaning vacuum attachment showing our new design.

FIG. 10 is a top plan view thereof.

FIG. 11 is a right side elevation view thereof.

FIG. 12 is a left side elevation view thereof.

FIG. 13 is a bottom plan view thereof.

FIG. 14 is a front elevation view thereof.

FIG. 15 is a rear elevation view thereof; and,

FIG. 16 is a bottom perspective view thereof.

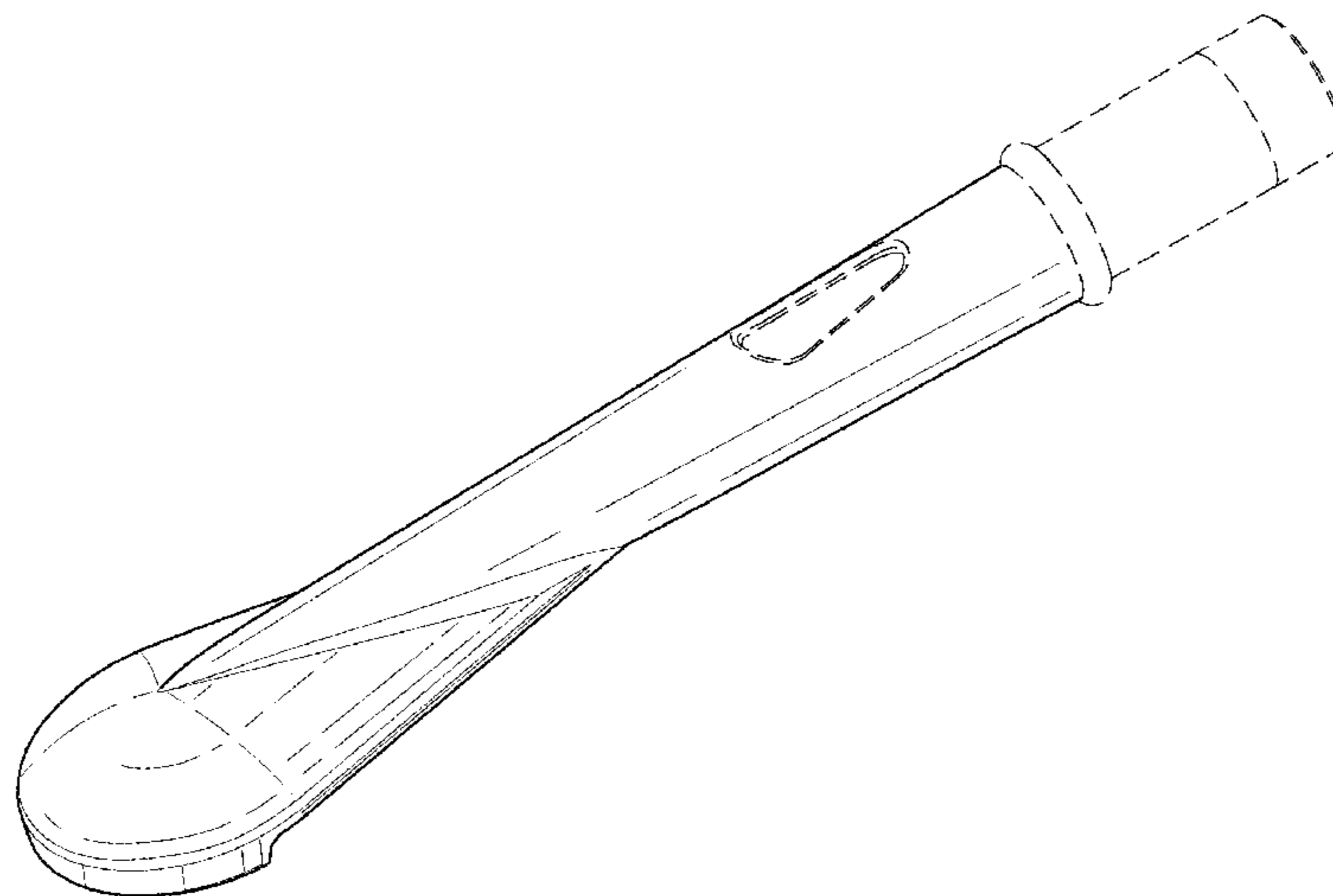
The features depicted in broken lines in FIGS. 1-16 illustrate portions of the tongue cleaning vacuum attachment that form no part of the claimed design.

(56) **References Cited**

U.S. PATENT DOCUMENTS

872,567 A	12/1907	Langstaff
1,811,775 A	7/1930	Barkwill
3,890,964 A	6/1975	Castanedo
4,043,322 A	8/1977	Robinson
D265,506 S	7/1982	Finamore
4,340,365 A	7/1982	Pisanu
4,538,631 A	9/1985	Prince
D295,695 S	5/1988	Golzari
4,806,101 A	2/1989	Rossi
D301,372 S	5/1989	Tsen
5,282,814 A	2/1994	Srivastava
D360,262 S	7/1995	Ly
D384,153 S	9/1997	Potti et al.
D392,386 S	3/1998	Nguyen
5,779,475 A	7/1998	Patel
5,779,654 A	7/1998	Foley et al.
5,792,159 A	8/1998	Amin

1 Claim, 12 Drawing Sheets



(56)

References Cited

U.S. PATENT DOCUMENTS

6,139,558	A	10/2000	Wagner	
6,159,226	A	12/2000	Kim	
D438,305	S	2/2001	Ripich et al.	
6,322,573	B1	11/2001	Murayama	
D479,605	S	9/2003	Ripich et al.	
D484,978	S *	1/2004	Syal	D24/147
D487,803	S	3/2004	Ripich et al.	
D494,272	S	8/2004	Ripich et al.	
D500,135	S	12/2004	Ripich et al.	
7,029,484	B2	4/2006	Ripich	
7,051,394	B2	5/2006	Gavney	
D612,048	S *	3/2010	Baynham	D24/133
D612,049	S *	3/2010	Baynham	D24/133
D635,672	S	4/2011	Ripich	
D635,673	S	4/2011	Ripich	
D635,674	S	4/2011	Ripich	
8,088,133	B2	1/2012	Bosma et al.	
D663,838	S *	7/2012	Mastri	D24/146
D667,954	S *	9/2012	Mastri	D24/146
D687,153	S *	7/2013	Torzilli	D24/187
D700,327	S *	2/2014	Darian	D24/146
D704,835	S *	5/2014	Hajarian	D24/135
D715,434	S *	10/2014	Darian	D24/144
D736,379	S *	8/2015	Wong	D24/147
9,138,046	B2 *	9/2015	Jimenez	A46B 11/0006
9,226,764	B2 *	1/2016	O'Neil	A61B 17/32
D749,730	S *	2/2016	Dietz	D24/146
2002/0107537	A1	8/2002	Singh	
2003/0083680	A1	5/2003	Jousson	
2003/0167582	A1	9/2003	Fischer et al.	
2003/0186192	A1	10/2003	Ito et al.	
2005/0050676	A1	3/2005	Khan	
2005/0096573	A1	5/2005	Liu	
2009/0111069	A1	4/2009	Wagner	

* cited by examiner

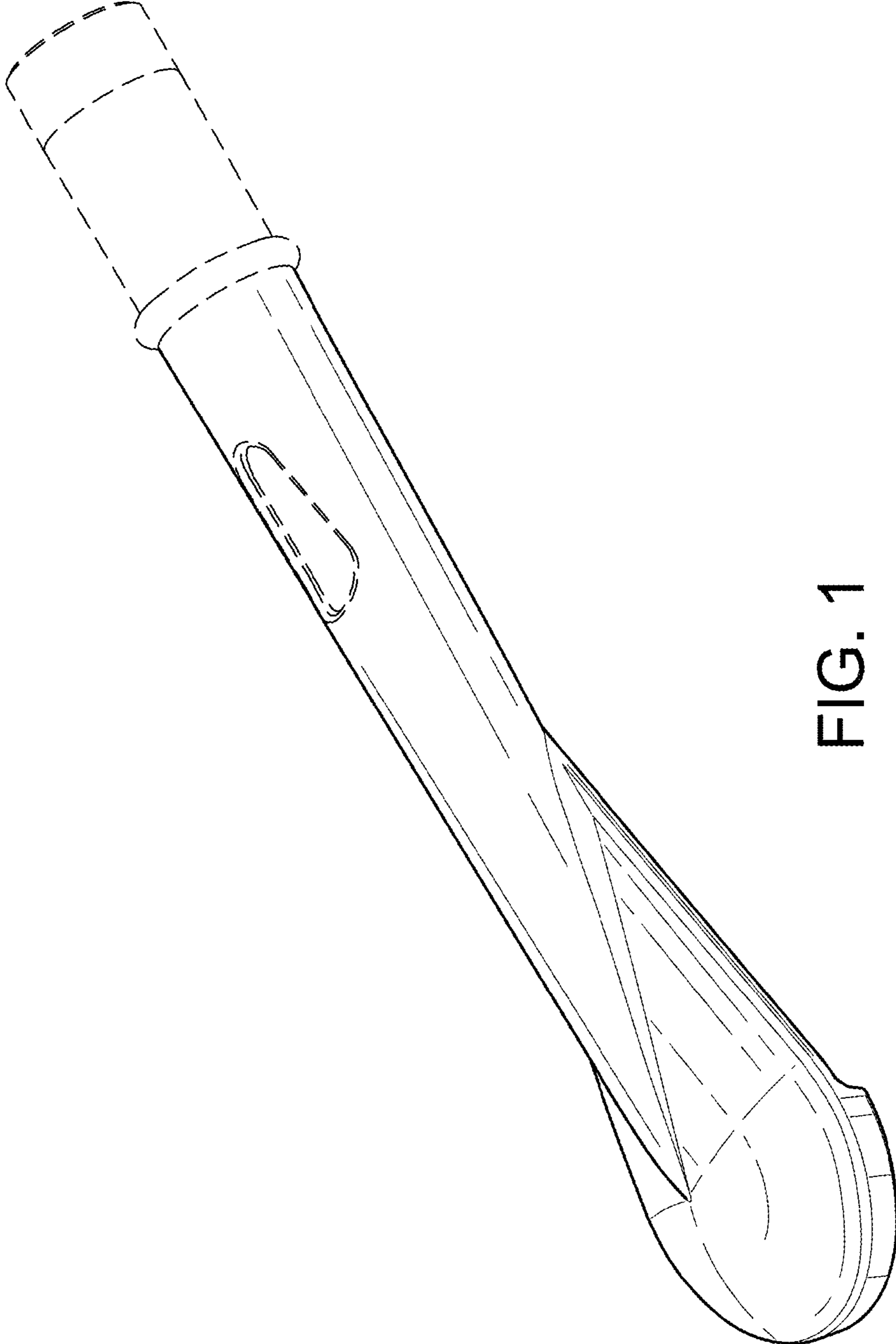


FIG. 1

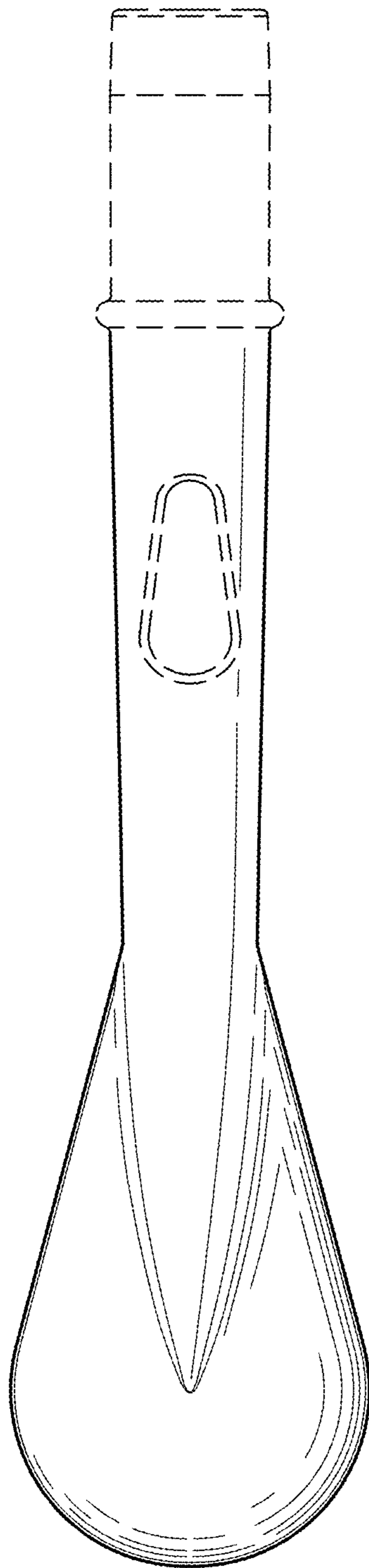


FIG. 2

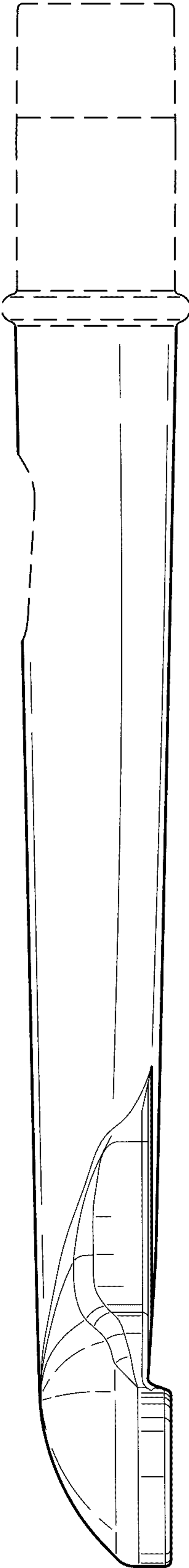


FIG. 3

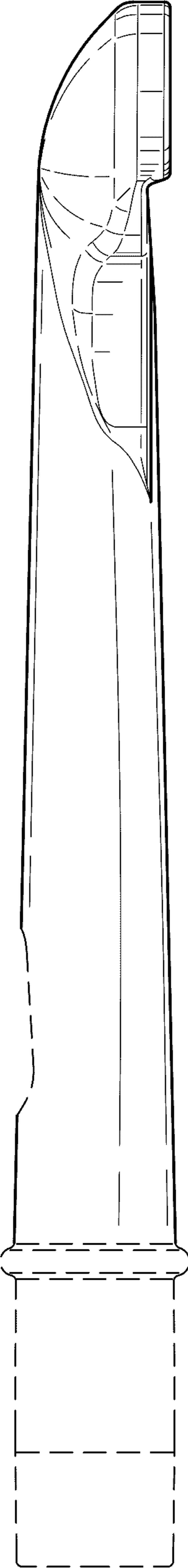


FIG. 4

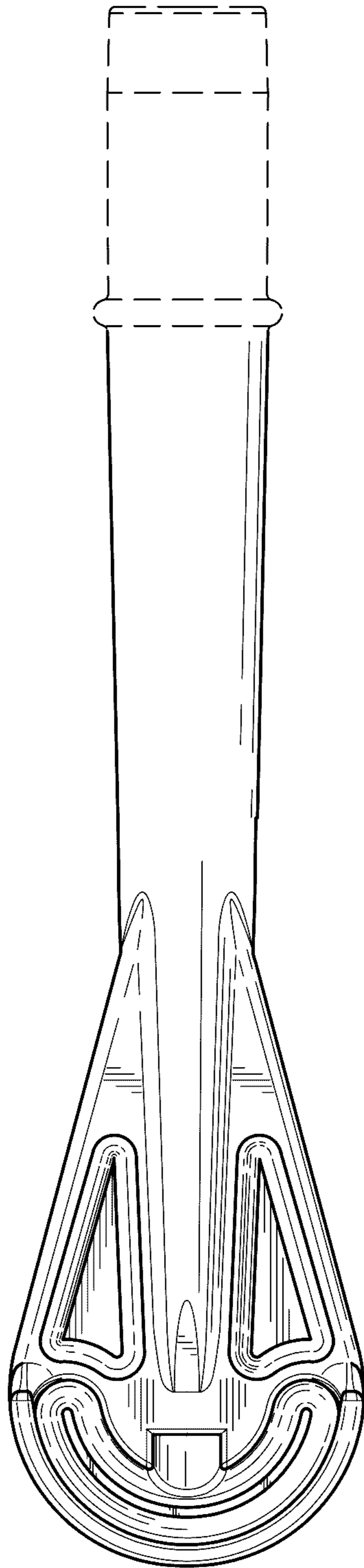


FIG. 5

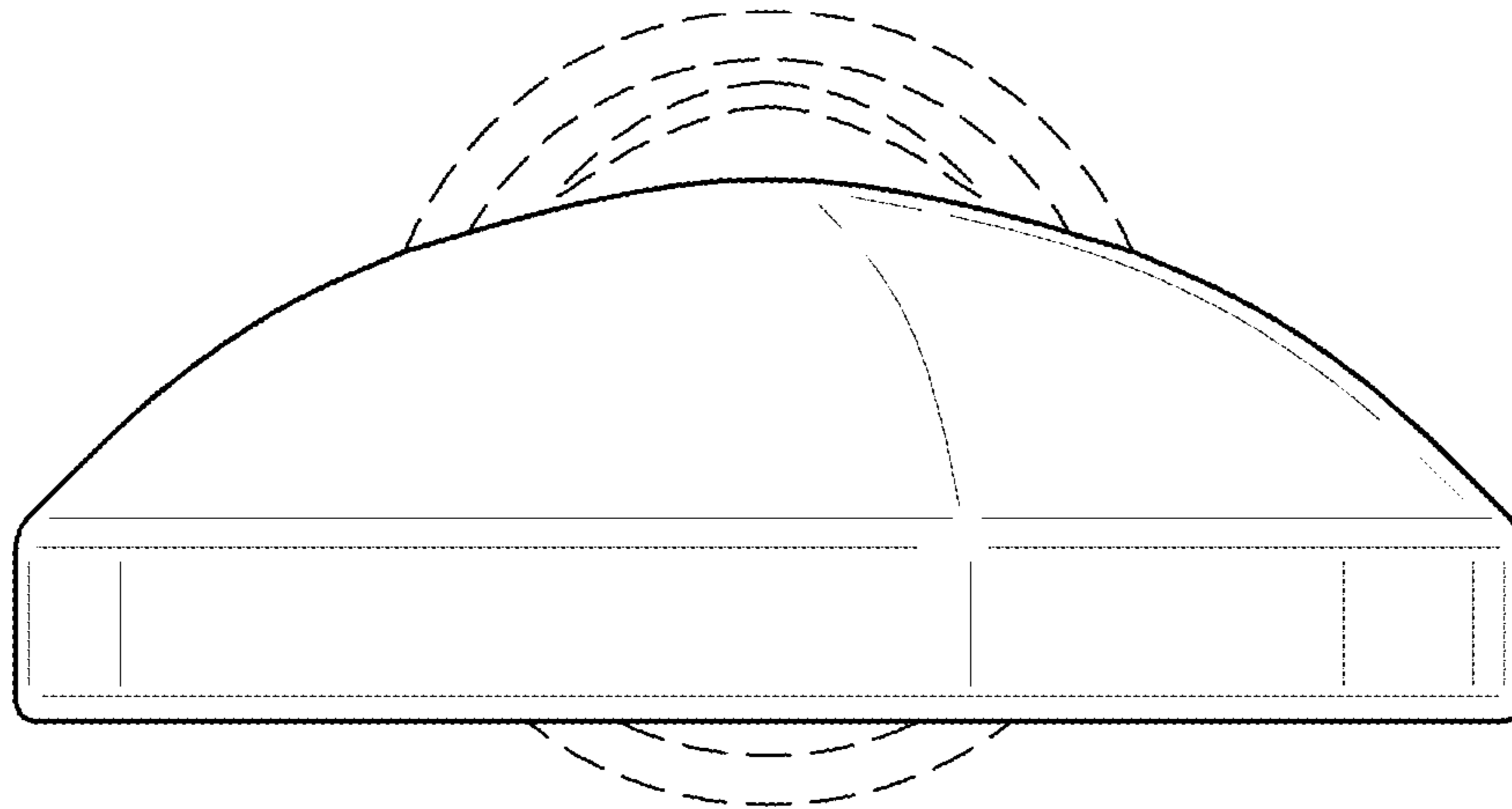


FIG. 6

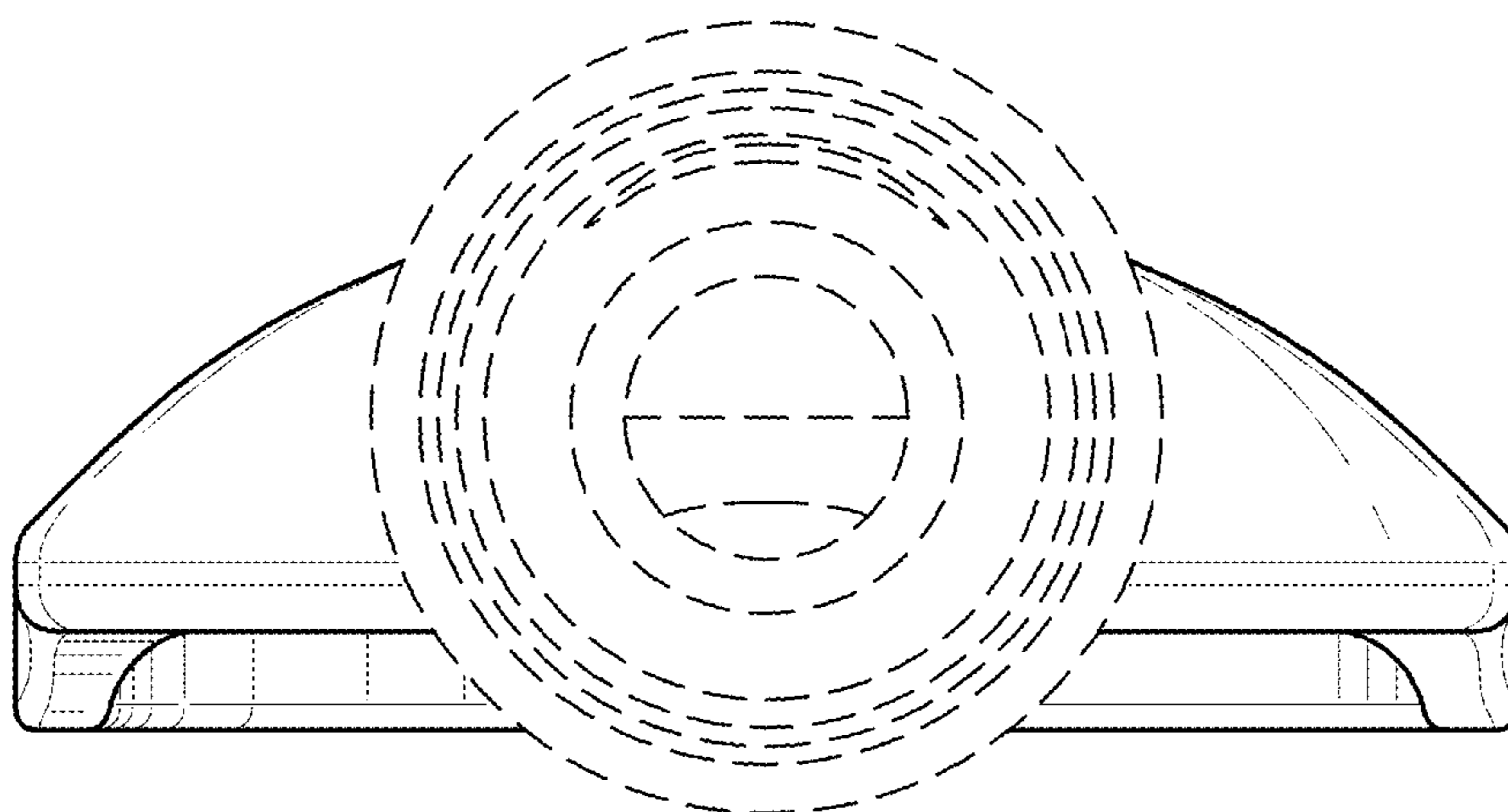


FIG. 7

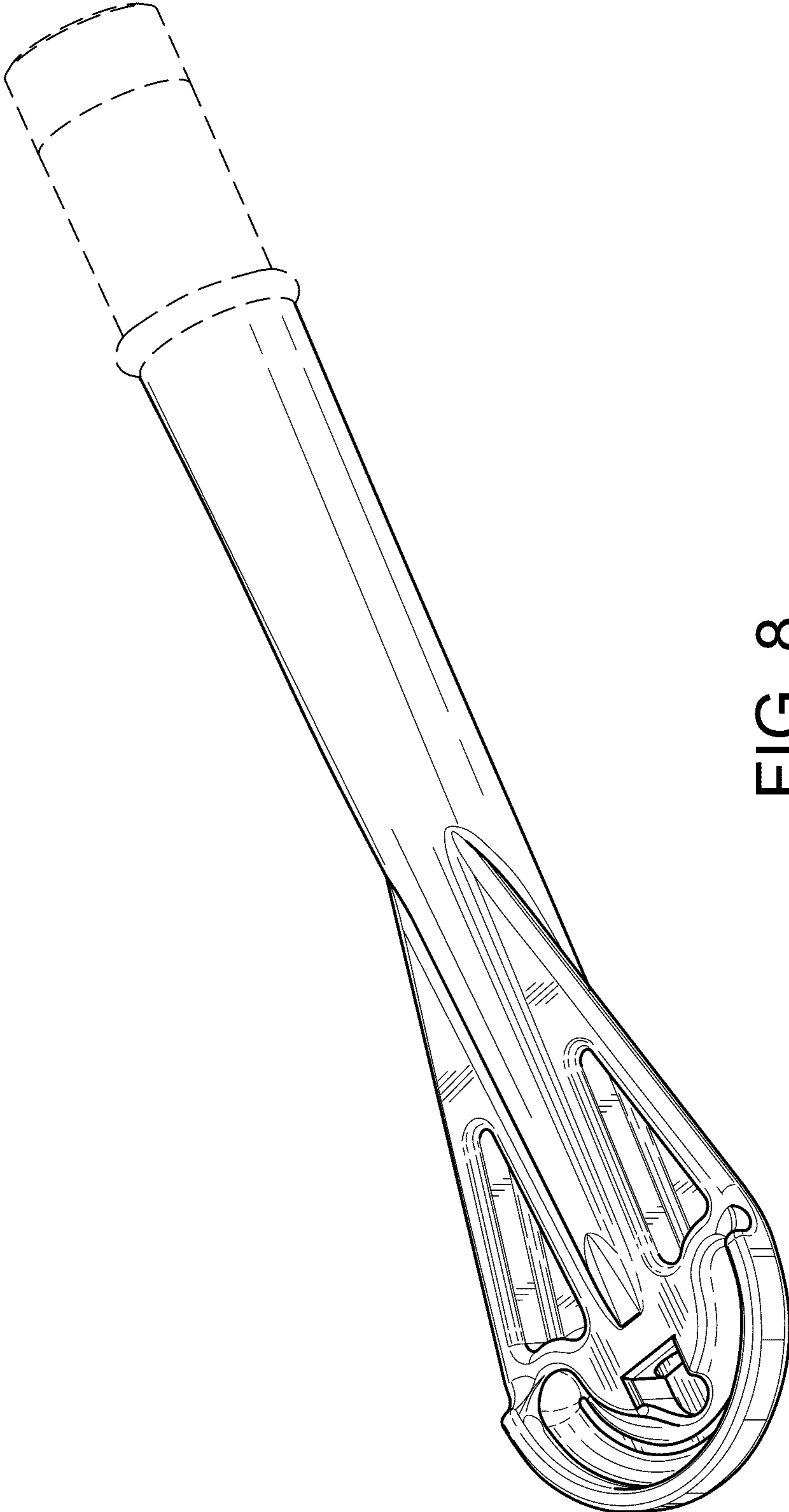


FIG. 8

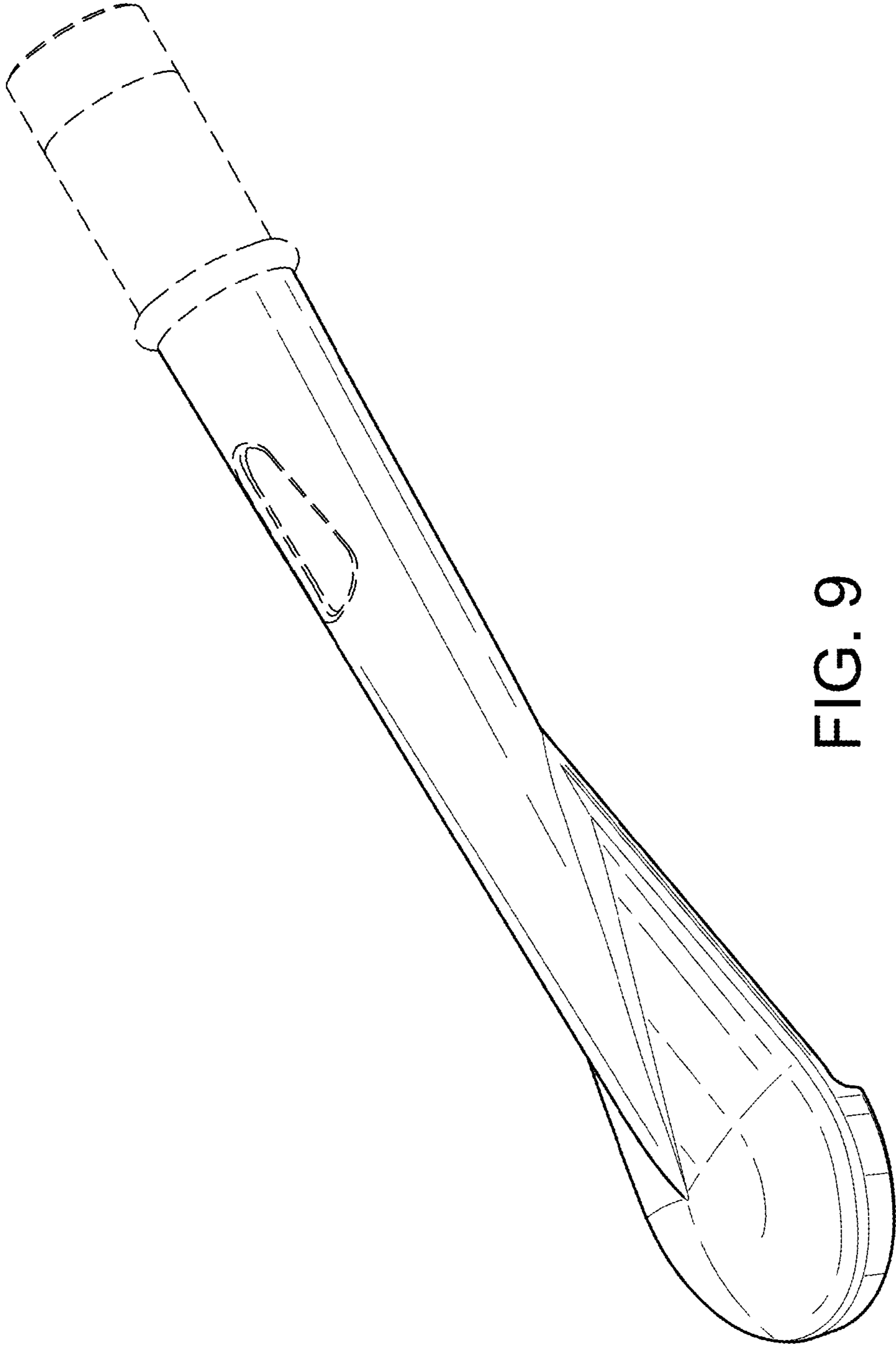


FIG. 9

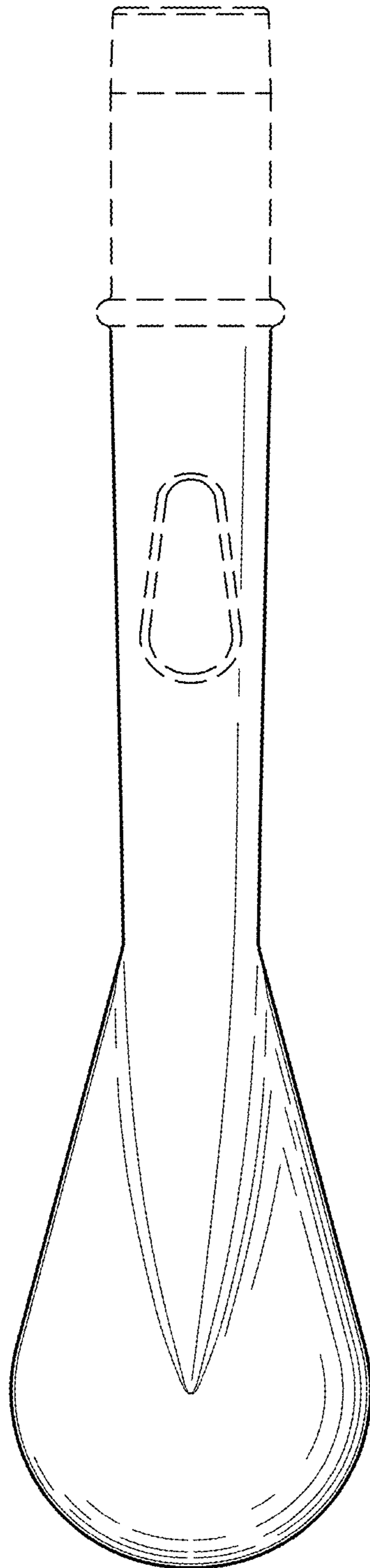


FIG. 10

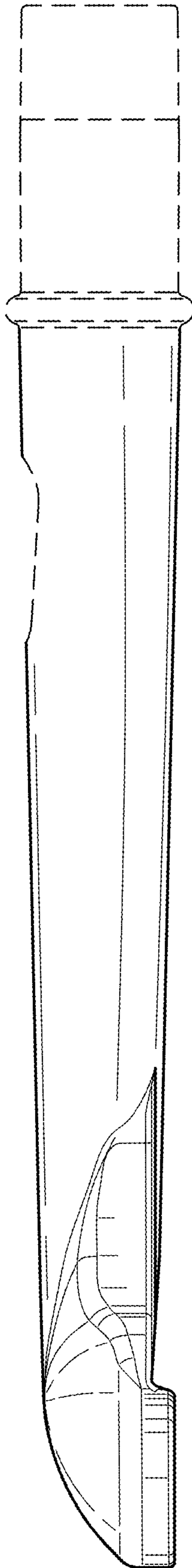


FIG. 11

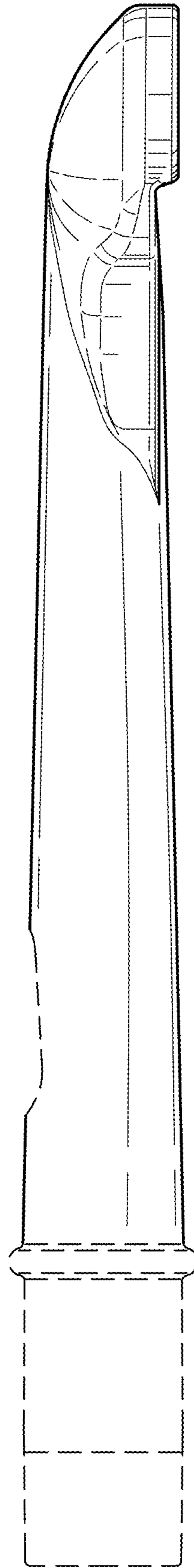


FIG. 12

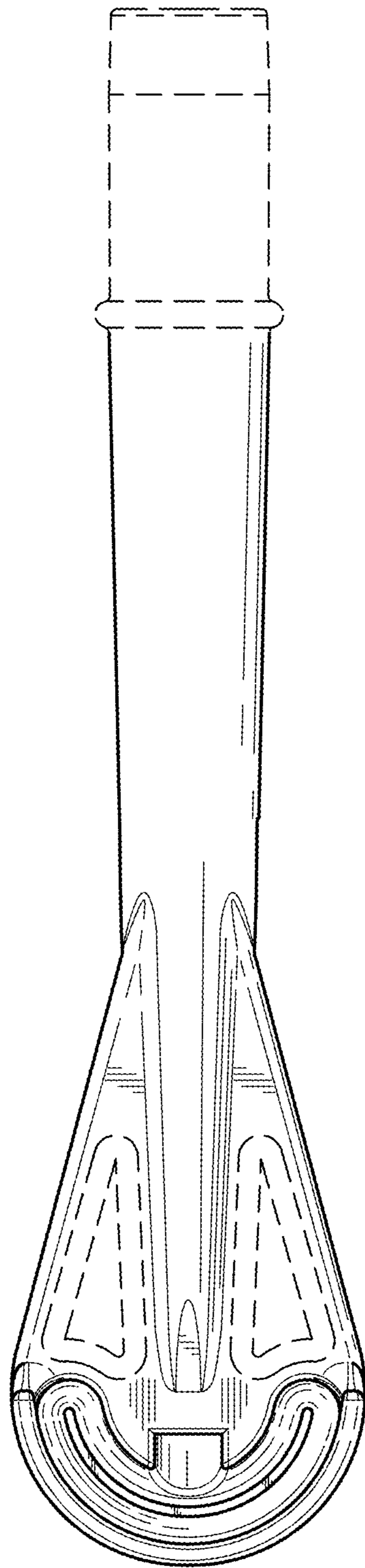


FIG. 13

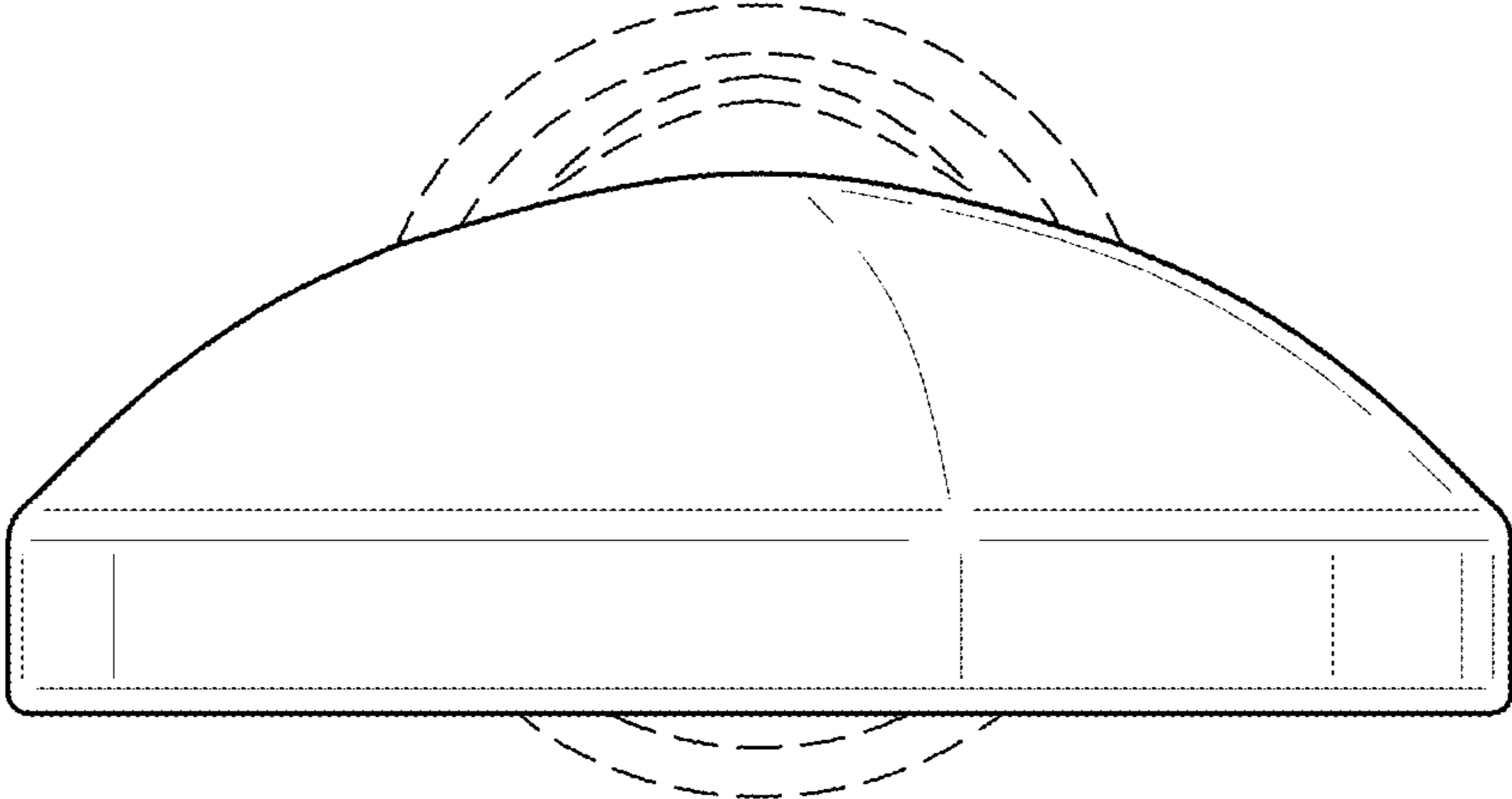


FIG. 14

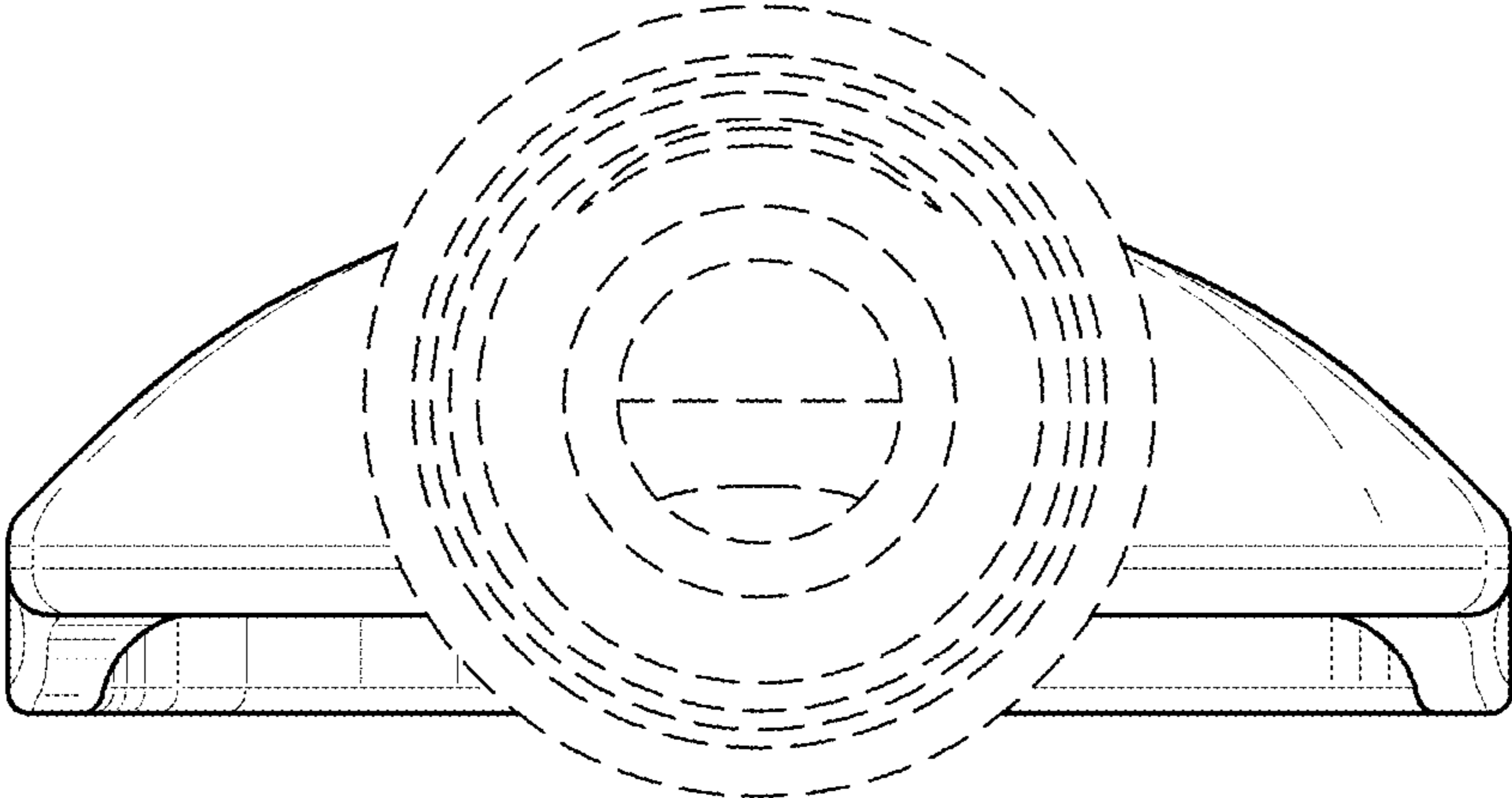


FIG. 15

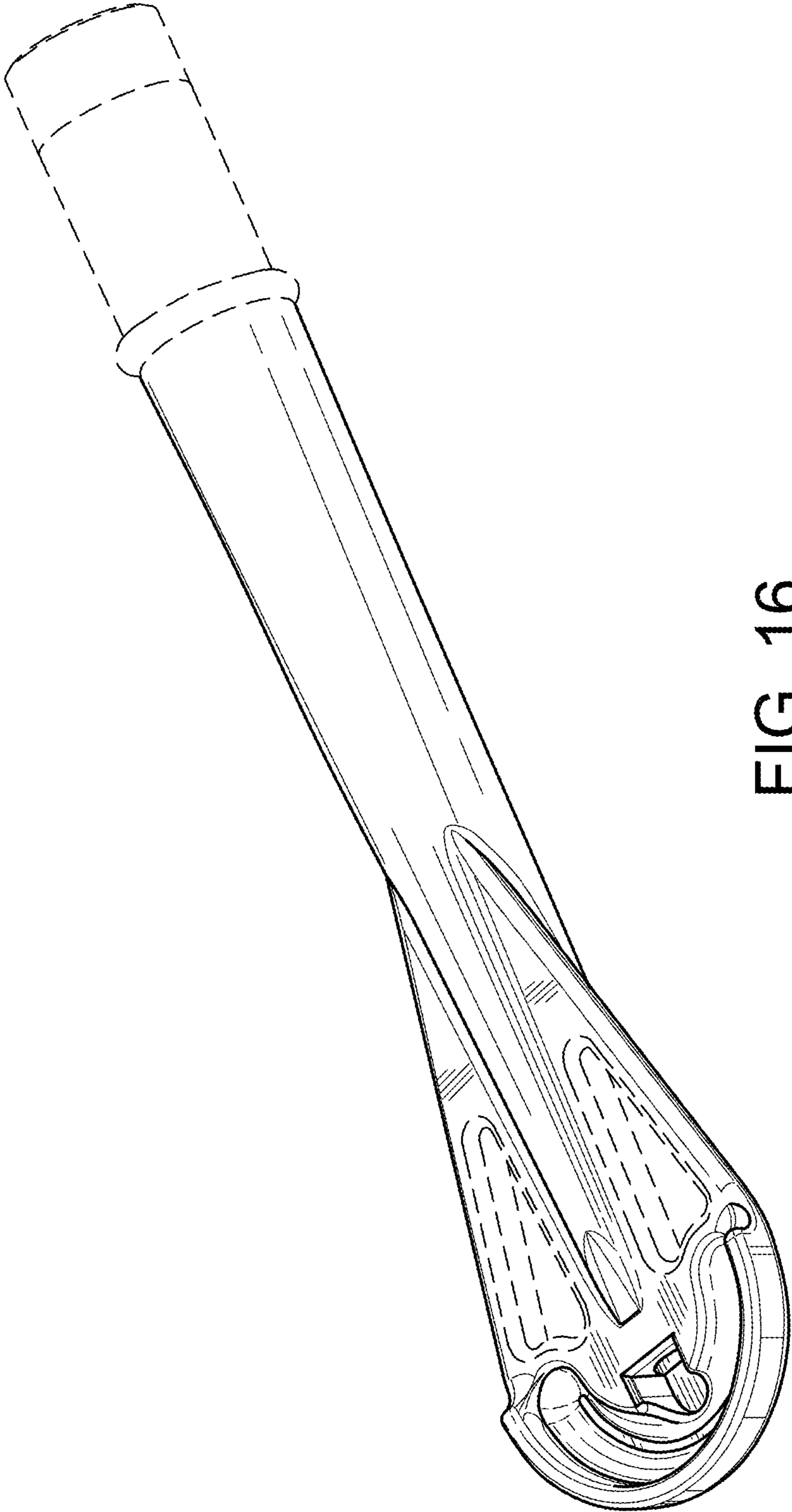


FIG. 16