



US00D771812S

(12) **United States Design Patent** (10) **Patent No.:** **US D771,812 S**  
**Shayle** (45) **Date of Patent:** **\*\* \*Nov. 15, 2016**

(54) **INTRADERMAL NEEDLE**  
(71) Applicant: **Amanda Ira Shayle**, London (GB)  
(72) Inventor: **Amanda Ira Shayle**, London (GB)  
(\* ) Notice: This patent is subject to a terminal disclaimer.  
(\*\*) Term: **14 Years**  
(21) Appl. No.: **29/482,831**  
(22) Filed: **Feb. 21, 2014**  
(51) **LOC (10) Cl.** ..... **24-02**  
(52) **U.S. Cl.**  
USPC ..... **D24/146**  
(58) **Field of Classification Search**  
USPC ..... D24/133, 130, 113, 114, 146-147, 142;  
600/385, 573, 583, 557, 587; 602/167,  
602/172, 181-185; 210/453; 606/189, 204,  
606/167, 142  
CPC ..... A61B 5/00; A61B 5/15; A61B 17/32;  
A61B 17/32053  
See application file for complete search history.

(56) **References Cited**  
U.S. PATENT DOCUMENTS  
2,711,738 A \* 6/1955 Kelly et al. .... 606/182  
3,875,944 A \* 4/1975 Toyama ..... 606/189  
D281,014 S \* 10/1985 Brown ..... D24/112  
D332,347 S \* 1/1993 Raadt et al. .... D3/20  
D374,282 S \* 10/1996 Hoftman ..... D24/130  
D376,649 S \* 12/1996 Kim ..... D24/147  
D379,515 S \* 5/1997 Kuehn et al. .... D24/146  
D403,405 S \* 12/1998 Terwilliger ..... D24/130  
6,113,551 A \* 9/2000 Isaacs et al. .... 600/557

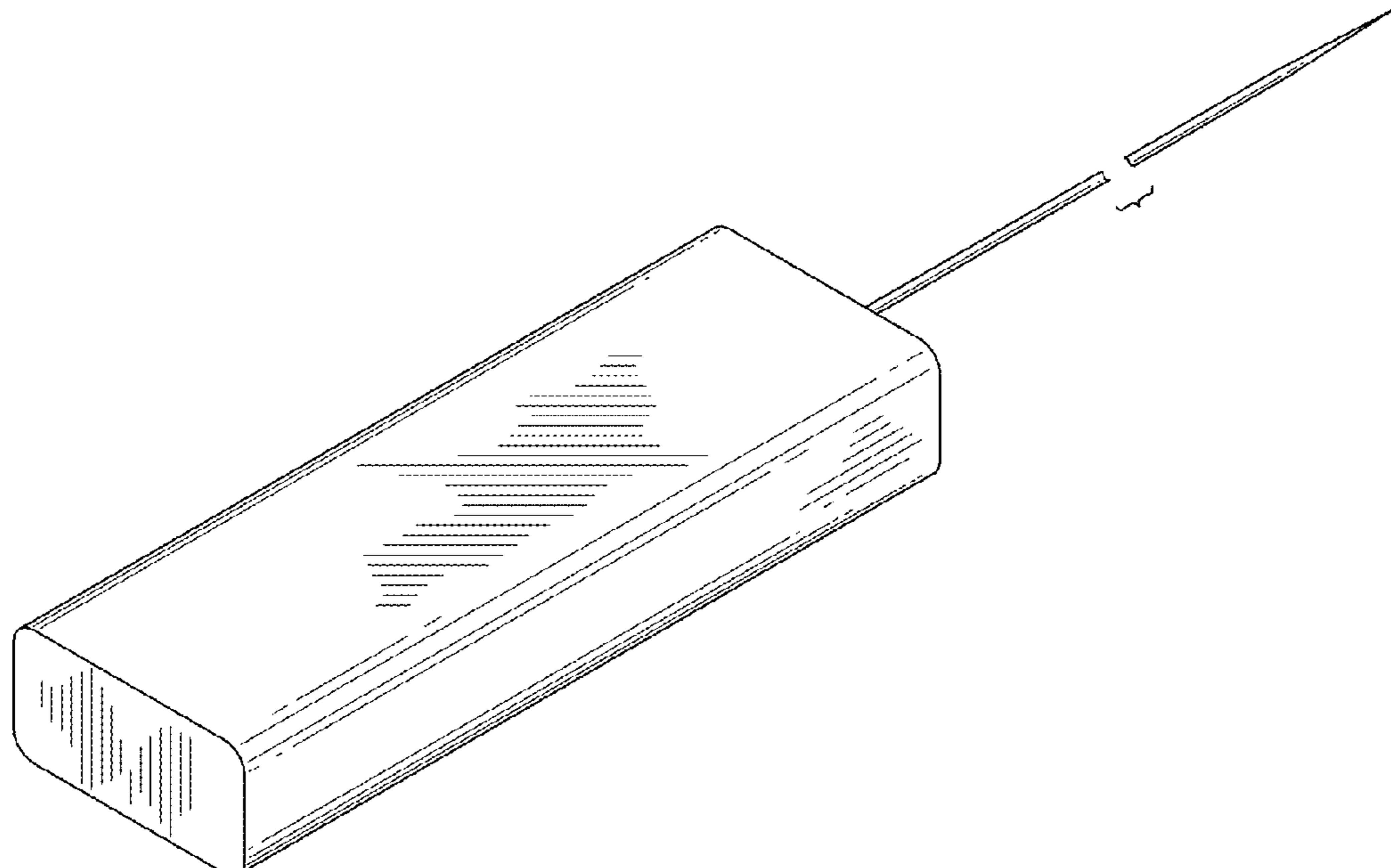
D444,557 S \* 7/2001 Levaughn et al. .... D24/146  
D516,213 S \* 2/2006 Lipper et al. .... D24/142  
D581,534 S \* 11/2008 Dong et al. .... D24/147  
D710,008 S \* 7/2014 Yoo ..... D24/147  
D712,063 S \* 8/2014 Austria ..... D24/231  
8,821,525 B2 \* 9/2014 Pusey et al. .... 606/181  
D727,764 S \* 4/2015 Nothacker et al. .... D10/81  
D731,309 S \* 6/2015 Lee et al. .... D9/432  
2003/0109895 A1 \* 6/2003 Taylor et al. .... 606/181  
2003/0144608 A1 \* 7/2003 Kojima et al. .... 600/583

\* cited by examiner  
*Primary Examiner* — Ian Simmons  
*Assistant Examiner* — Carissa C Fitts  
(74) *Attorney, Agent, or Firm* — Bryant J. Keller; Kirton McConkie, P.C.

(57) **CLAIM**  
The ornamental design for an intradermal needle, as shown and described.

**DESCRIPTION**  
FIG. 1 is a back, right side perspective view showing my new design, wherein the back, left side perspective view is a mirror image thereof;  
FIG. 2 is a top plan view thereof, wherein the bottom plan view is a mirror image thereof;  
FIG. 3 is a left side elevation view thereof, wherein the right side elevation view is a mirror image thereof;  
FIG. 4 is a back side elevation view thereof; and,  
FIG. 5 is a front side elevation view thereof.  
The intradermal needle is shown with a symbolic break in its length, with the understanding that the portions of the device not shown in the drawings form no part of the claim design. Patentability is based only on those portions of the article that are shown in solid lines.

**1 Claim, 3 Drawing Sheets**



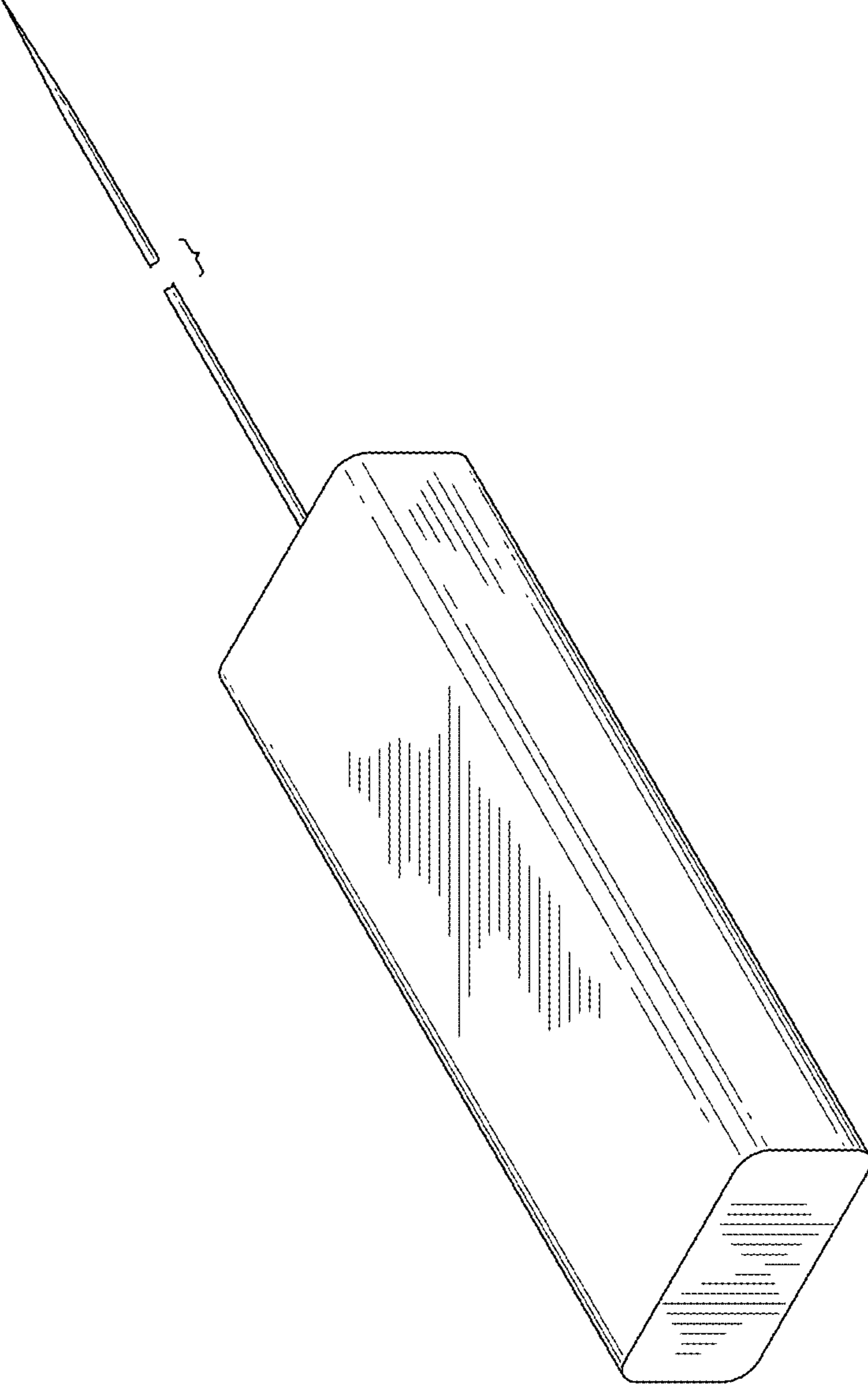


FIG. 1

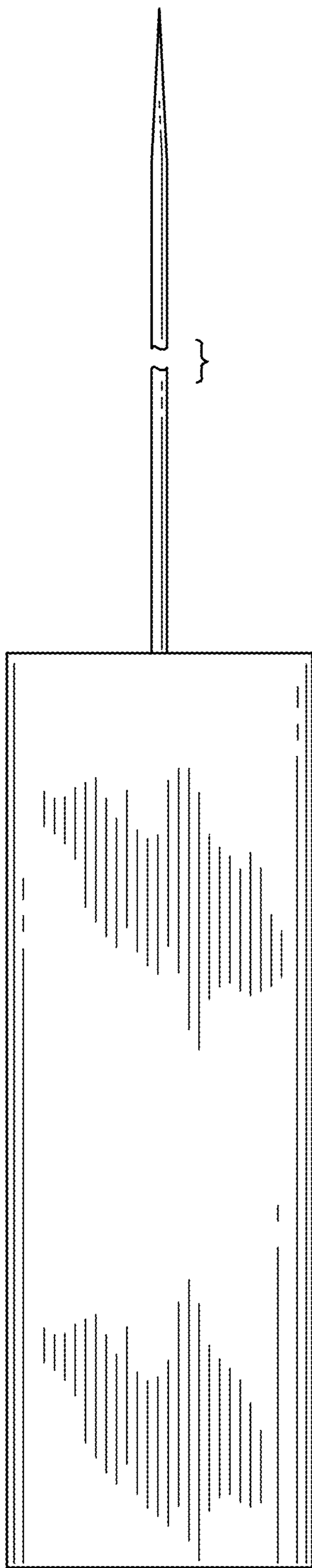


FIG. 2

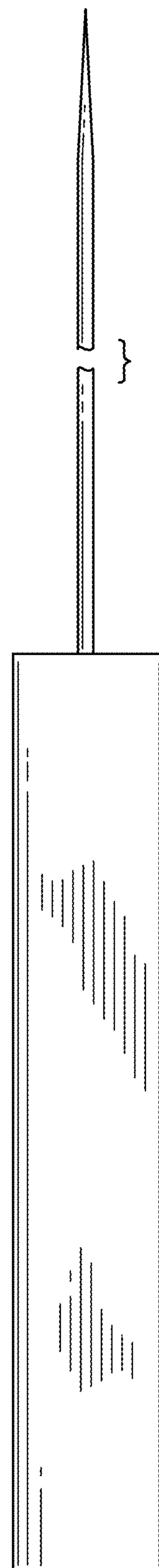


FIG. 3

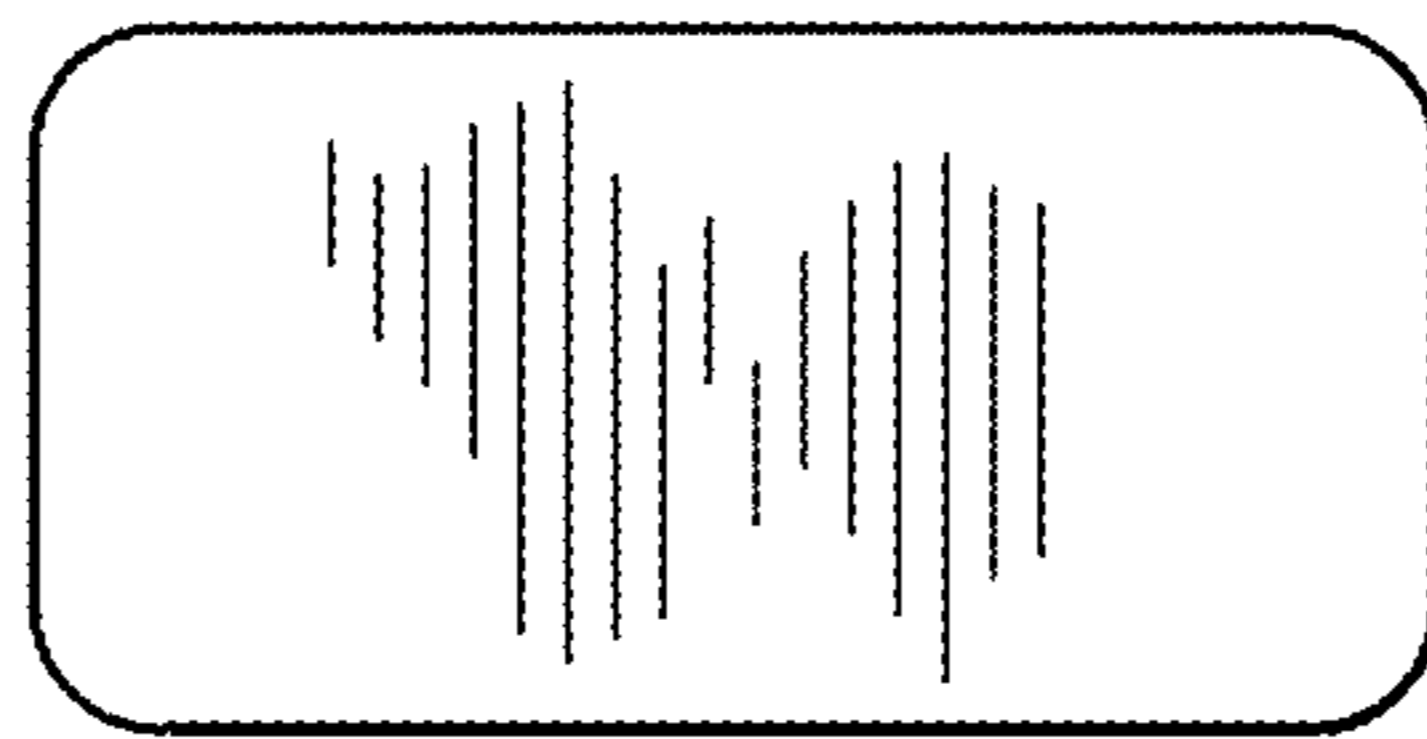


FIG. 4

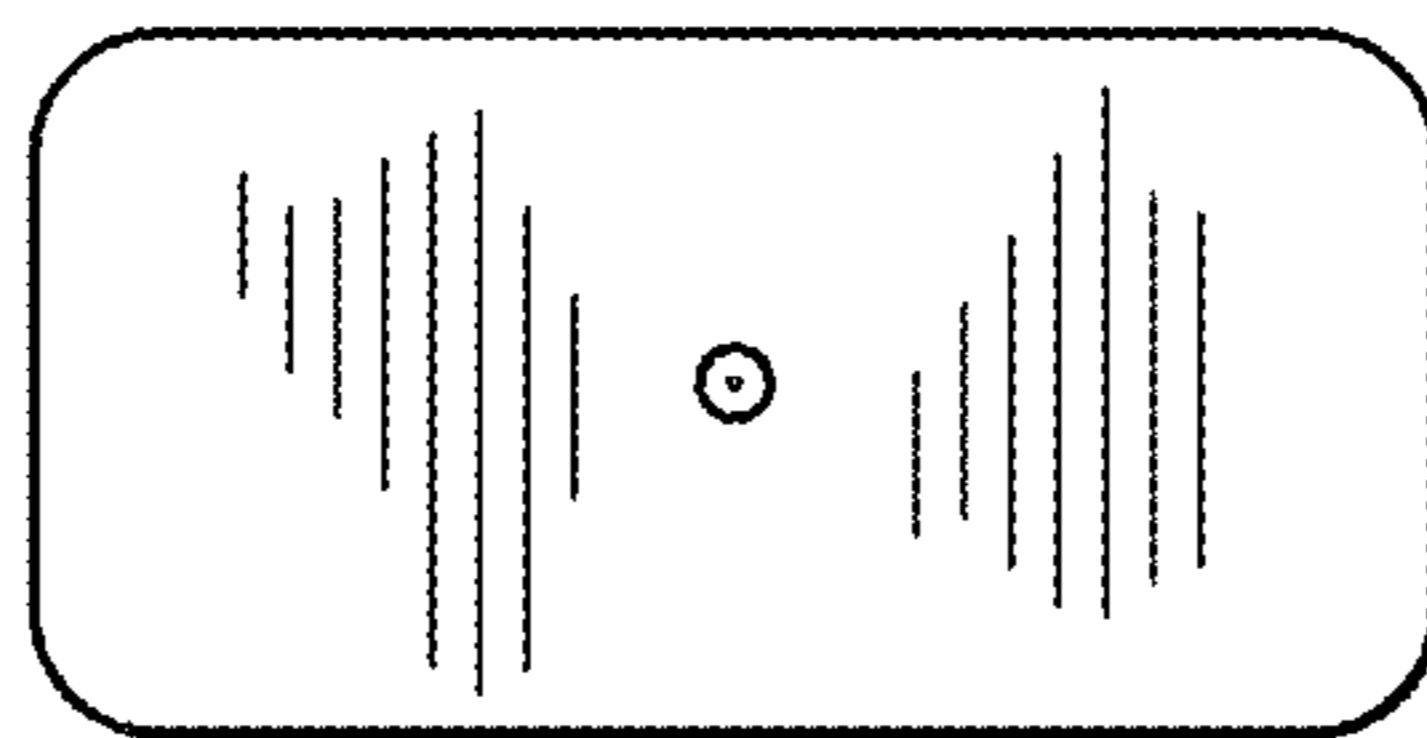


FIG. 5