



US00D771808S

(12) **United States Design Patent** (10) **Patent No.:** **US D771,808 S**  
**Efinger et al.** (45) **Date of Patent:** **\*\* \*Nov. 15, 2016**

(54) **SURGICAL NAVIGATION INSTRUMENT**

(71) Applicant: **KARL STORZ GmbH & Co. KG,**  
Tuttlingen (DE)

(72) Inventors: **Andreas Efinger,** Rietheim (DE);  
**Mathias Stengele,** Steisslingen (DE);  
**Andreas Halbleib,** Constance (DE);  
**Dejan Ilic,** Constance (DE)

(73) Assignee: **KARL STORZ GmbH & Co. KG,**  
Tuttlingen (DE)

(\*) Notice: This patent is subject to a terminal disclaimer.

(\*\*) Term: **14 Years**

(21) Appl. No.: **29/520,843**

(22) Filed: **Mar. 18, 2015**

(30) **Foreign Application Priority Data**

Sep. 19, 2014 (EM) ..... 002541565-0002

(51) **LOC (10) Cl.** ..... **24-02**

(52) **U.S. Cl.**  
USPC ..... **D24/137**

(58) **Field of Classification Search**  
USPC ..... D24/108, 112, 117, 118, 133, 135, 137,  
D24/138, 222, 141, 111, 113, 127, 143, 144,  
D24/148, 179, 216, 152, 153, 154, 176,  
D24/170; D8/30  
CPC ..... A61B 18/1445; A61B 18/1402; A61B  
18/14; A61B 2018/147; A61C 1/14  
See application file for complete search history.

(56) **References Cited**

**U.S. PATENT DOCUMENTS**

D216,286 S \* 12/1969 Valeska ..... D24/144  
D271,419 S \* 11/1983 Hoff ..... D24/144  
D288,359 S \* 2/1987 Hoff ..... D24/144

5,571,101 A \* 11/1996 Ellman ..... A61B 18/1485  
606/45  
D377,524 S \* 1/1997 Lipp ..... D24/130  
6,926,728 B2 \* 8/2005 Zucherman ..... A61M 29/00  
606/190  
D605,759 S \* 12/2009 Cuevas ..... D24/133  
D629,896 S \* 12/2010 Horton ..... D24/133  
D631,962 S \* 2/2011 Dorman ..... D24/135  
D642,680 S \* 8/2011 Brucker ..... D24/133  
D658,288 S \* 4/2012 Ryshkus ..... D24/135  
2013/0006236 A1 \* 1/2013 Greep ..... A61B 18/1477  
606/34

\* cited by examiner

*Primary Examiner* — Robert M Spear

*Assistant Examiner* — Eliza Bennett-Hattan

(74) *Attorney, Agent, or Firm* — Muncy, Geissler, Olds & Lowe, P.C.

(57) **CLAIM**

The ornamental design for a surgical navigation instrument, as shown and described.

**DESCRIPTION**

FIG. 1 is a perspective view of a surgical navigation instrument according to the present invention.

FIG. 2 is a front view of the surgical navigation instrument of FIG. 1.

FIG. 3 is a rear view of the surgical navigation instrument of FIG. 1.

FIG. 4 is a right view of the surgical navigation instrument of FIG. 1.

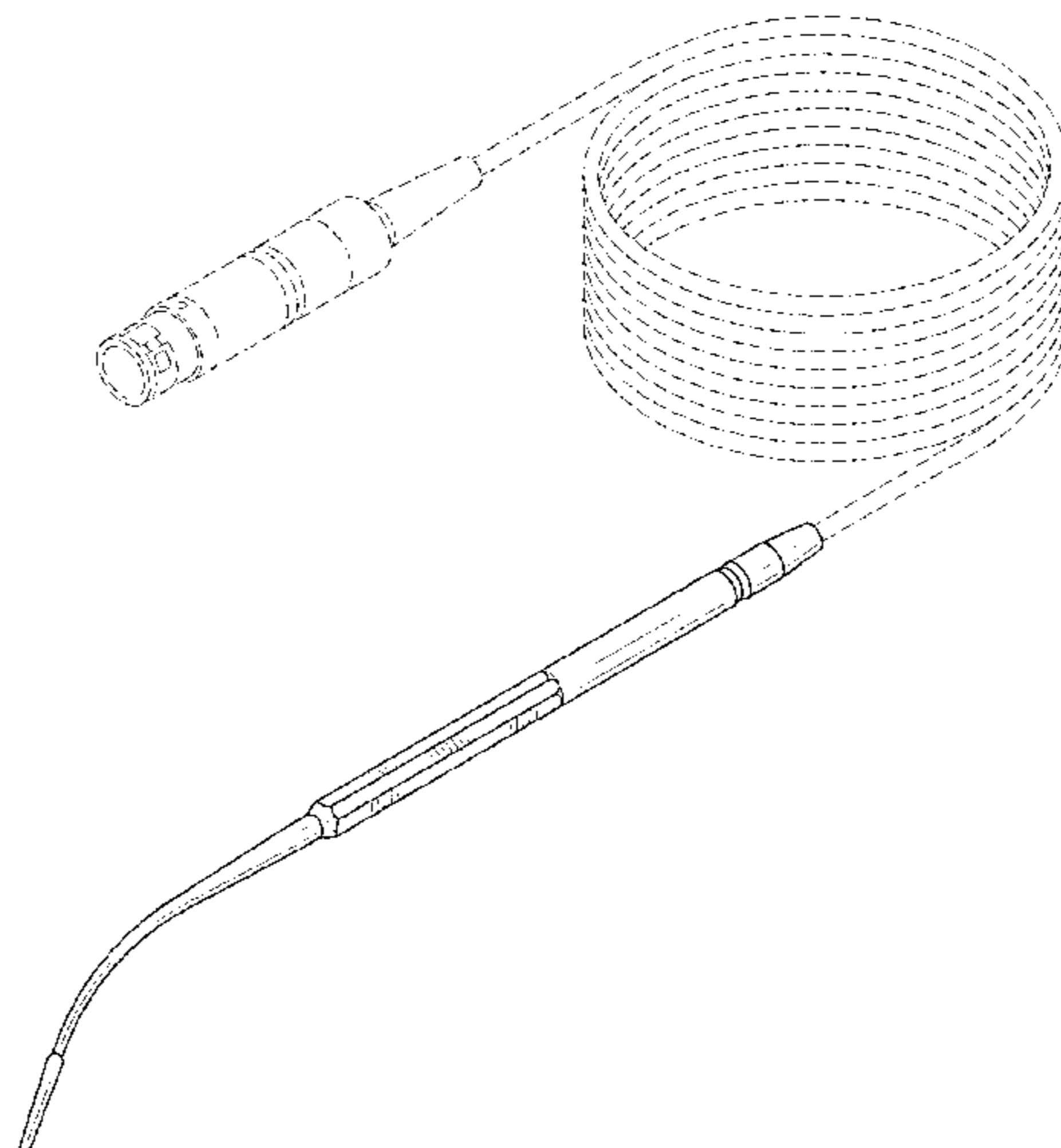
FIG. 5 is a left view of the surgical navigation instrument of FIG. 1.

FIG. 6 is a top view of the surgical navigation instrument of FIG. 1; and,

FIG. 7 is a bottom view of the surgical navigation instrument of FIG. 1.

The dashed lines illustrate environment that does not form a part of the present invention, and no claim is made to the material illustrated with dashed lines.

**1 Claim, 6 Drawing Sheets**



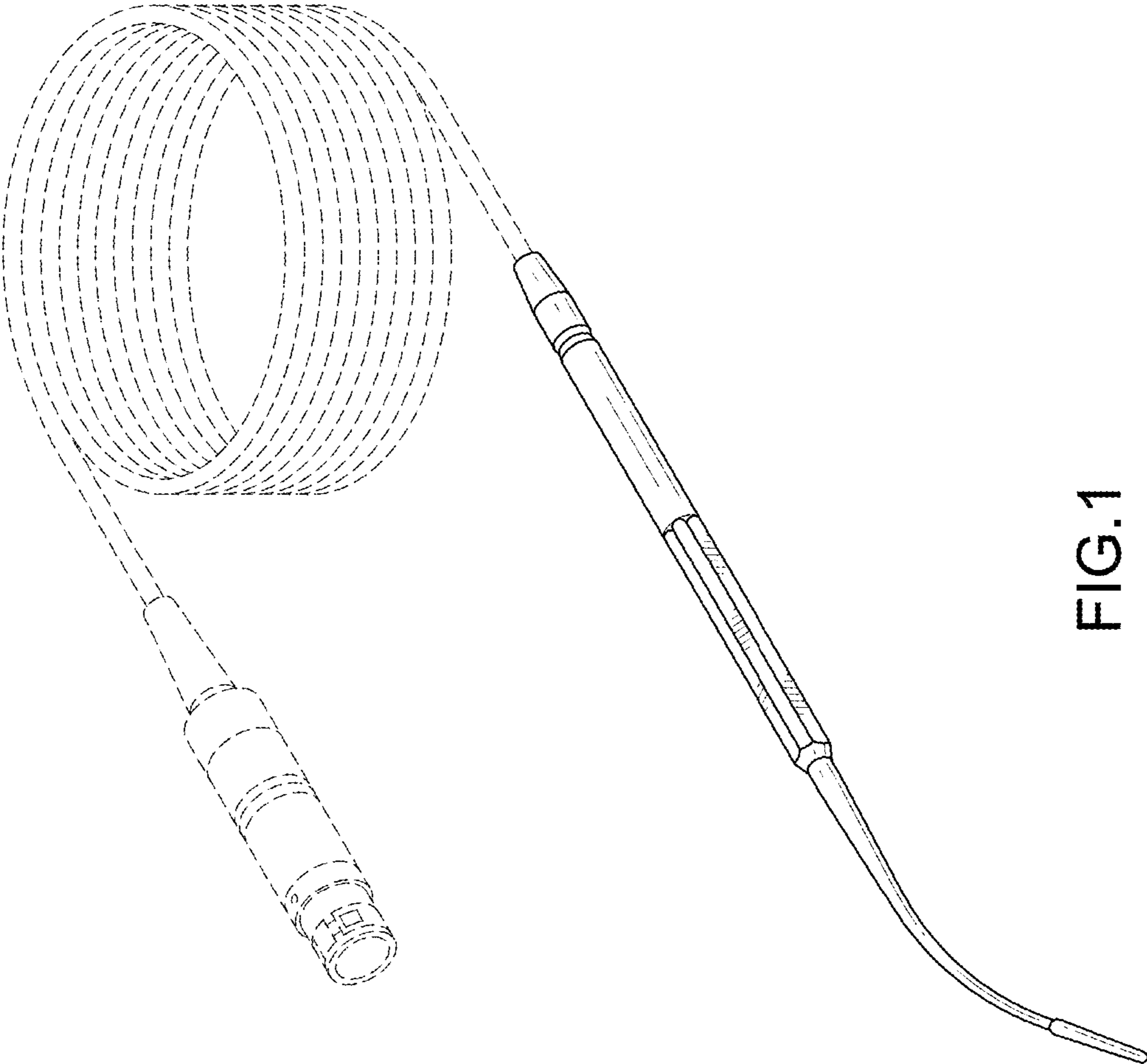


FIG.1

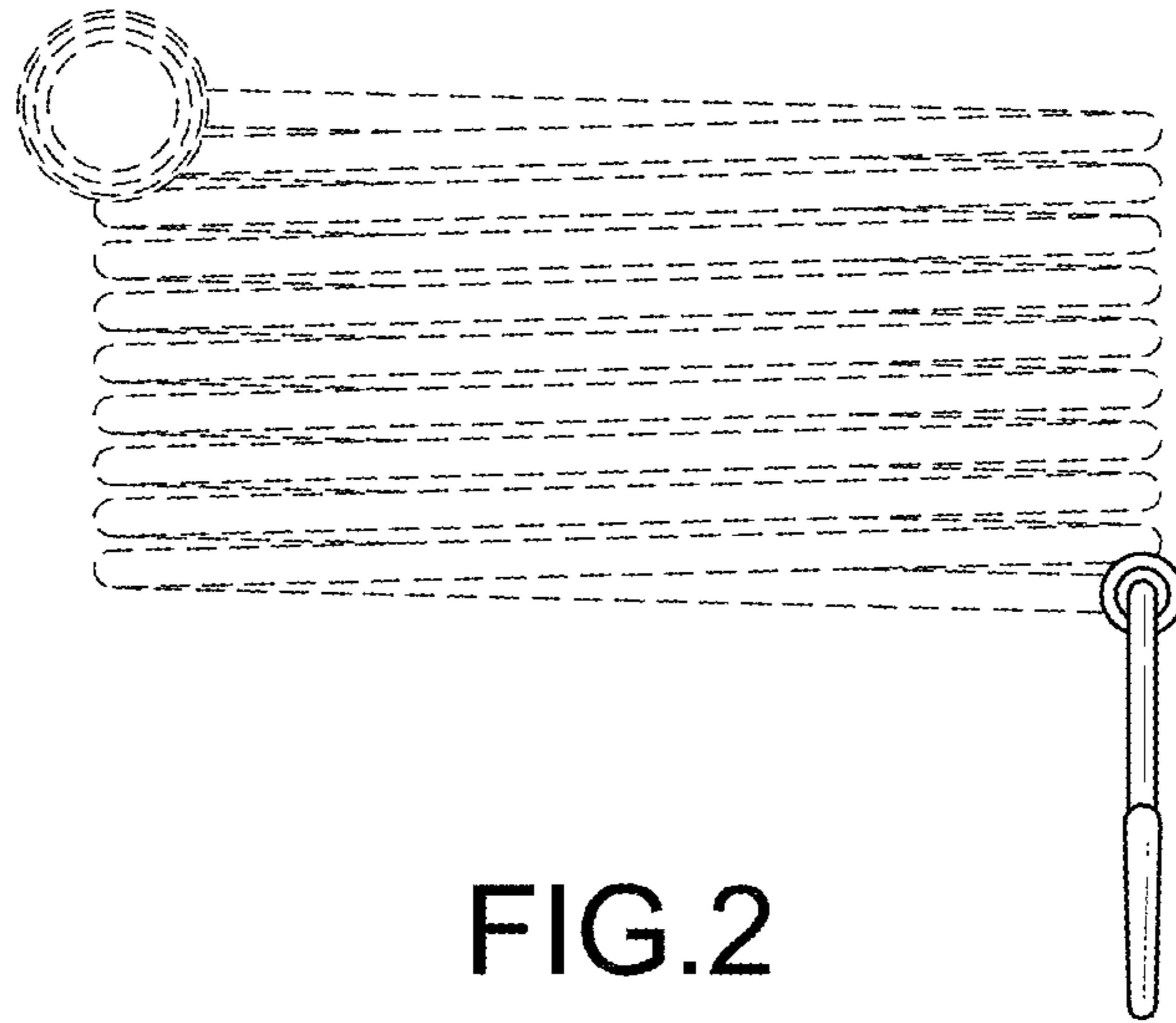


FIG. 2

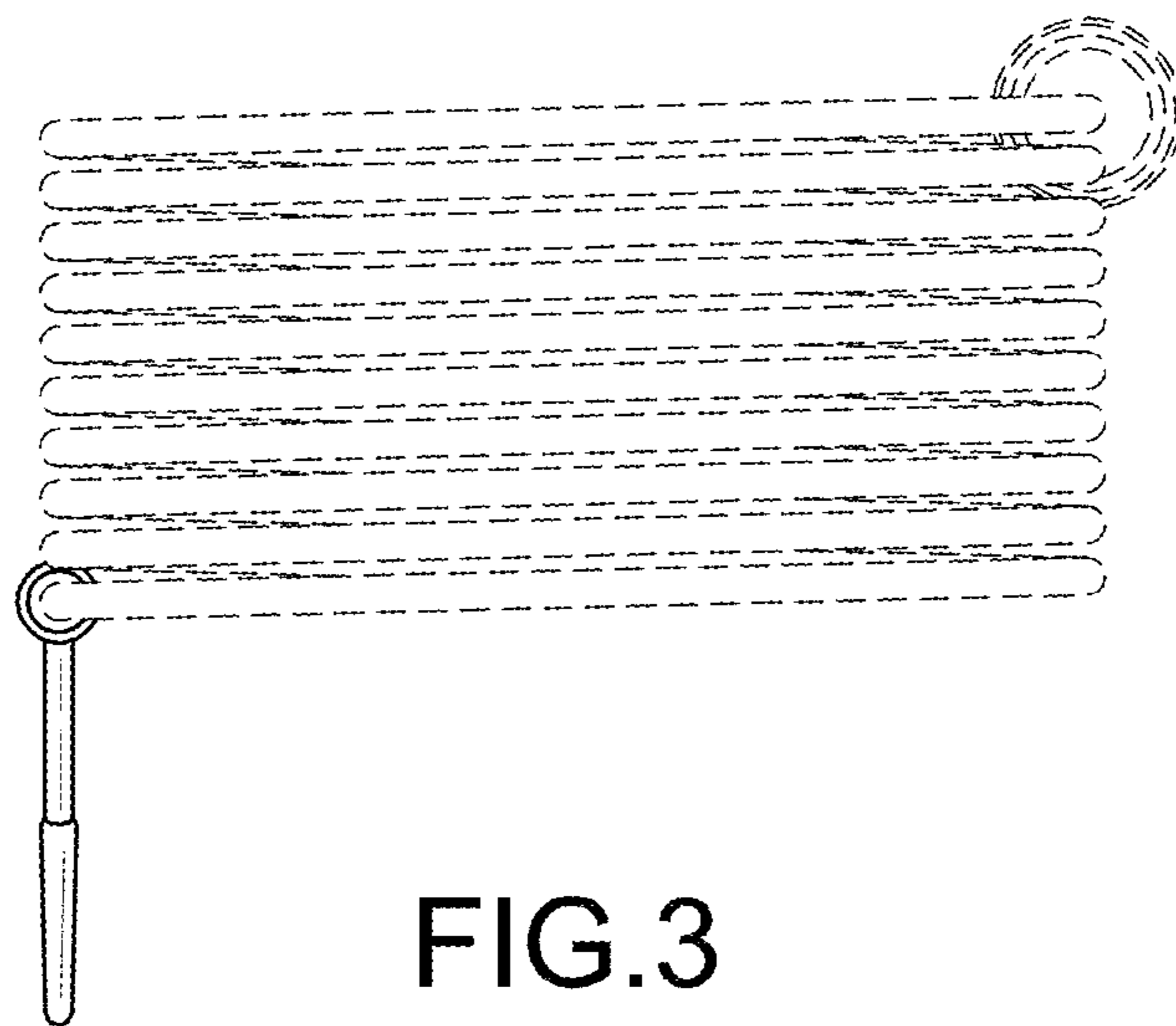


FIG. 3

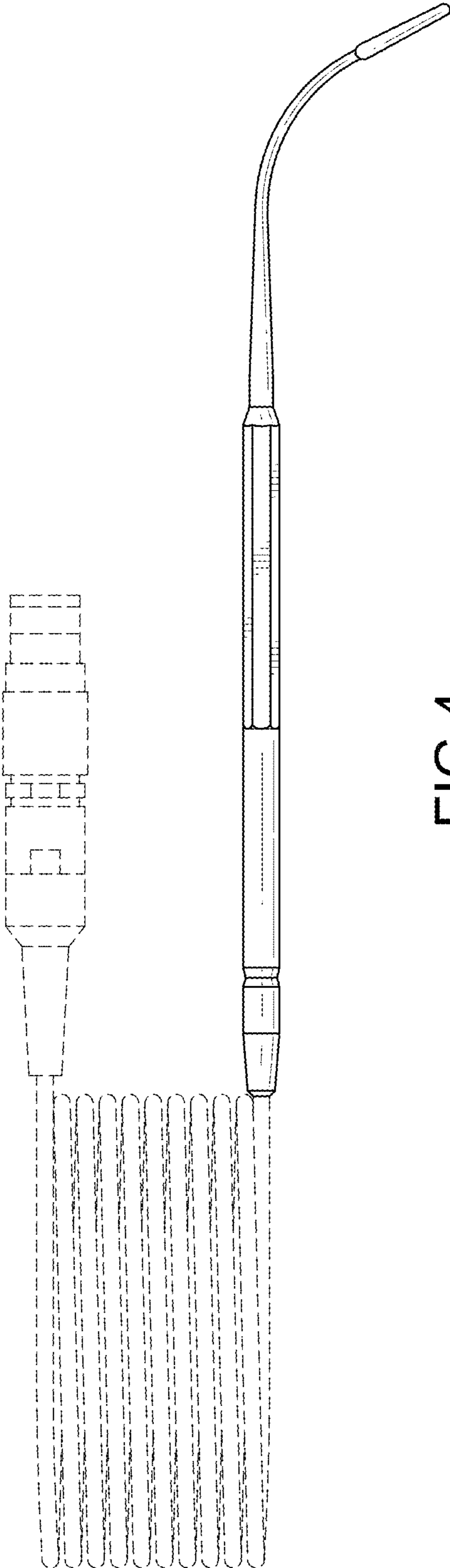


FIG.4

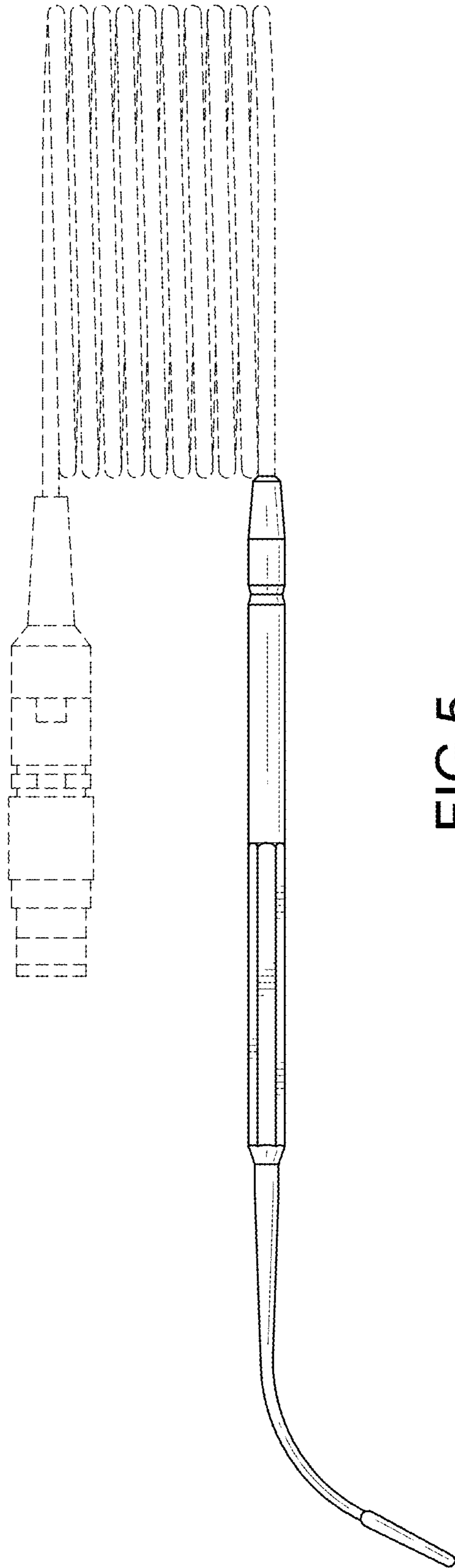


FIG.5

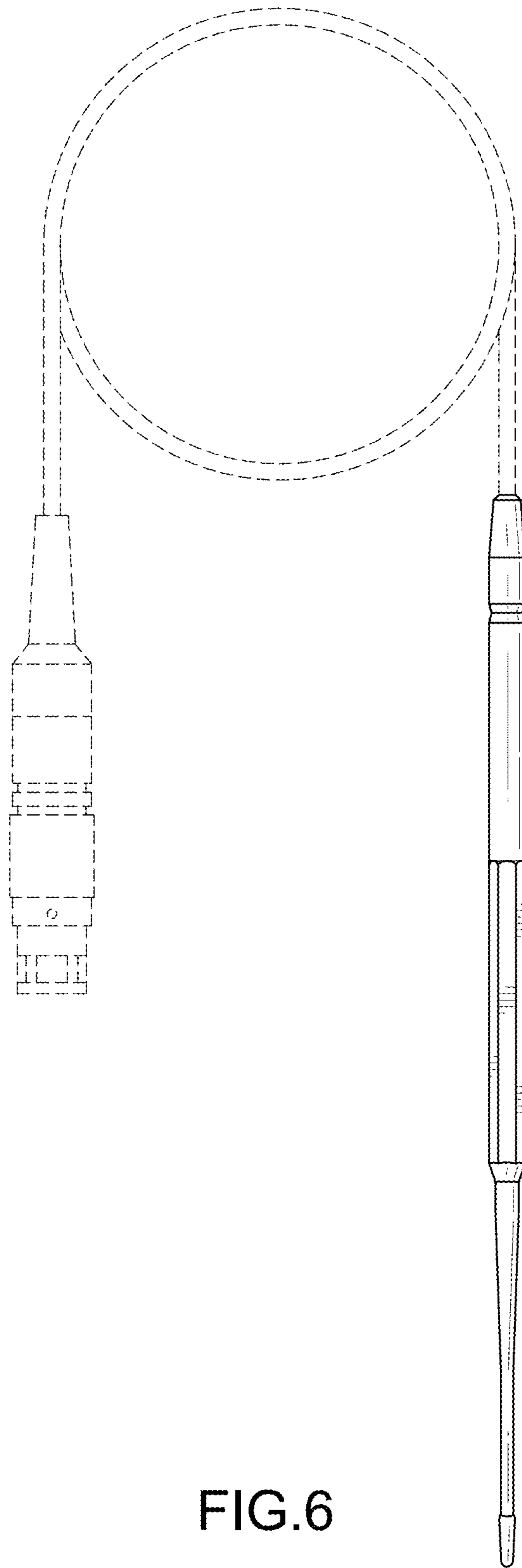


FIG.6



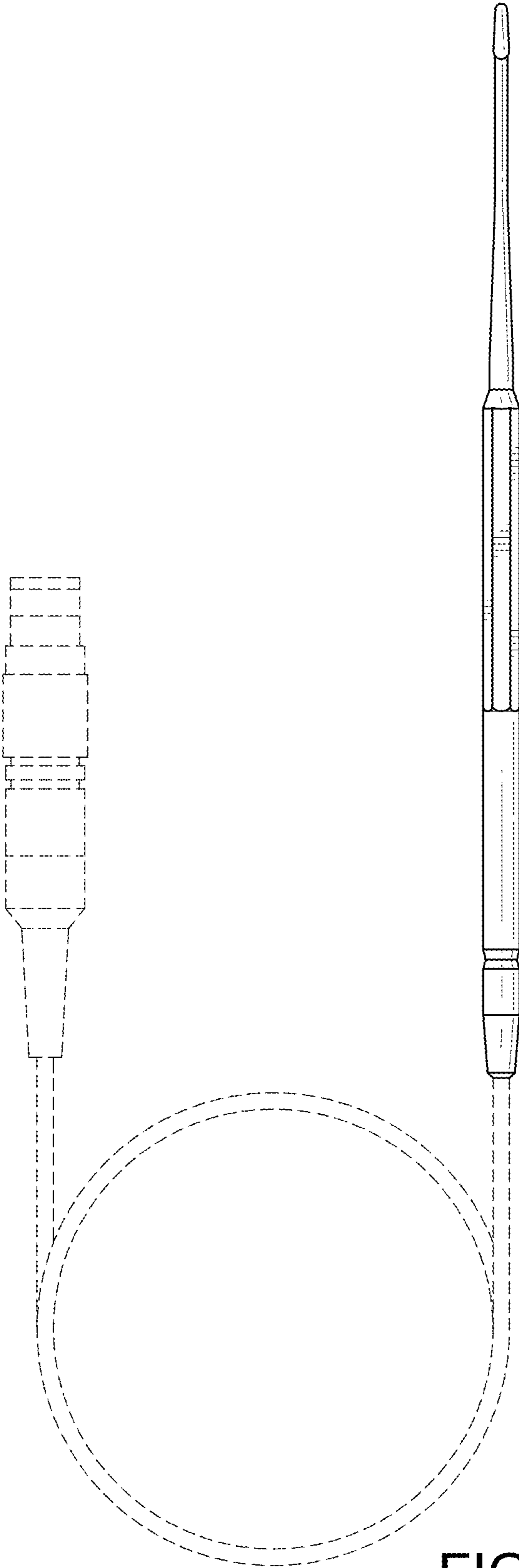


FIG.7