



US00D771806S

(12) **United States Design Patent** (10) **Patent No.:** **US D771,806 S**
Steele (45) **Date of Patent:** **** Nov. 15, 2016**

(54) **MEDICAL FLUID CONNECTOR**
(71) Applicant: **Nordson Corporation**, Westlake, OH (US)
(72) Inventor: **Kyle R. Steele**, Windsor, CO (US)
(73) Assignee: **Nordson Corporation**, Westlake, OH (US)
(**) Term: **14 Years**
(21) Appl. No.: **29/491,739**
(22) Filed: **May 23, 2014**
(51) **LOC (10) Cl.** **24-01**
(52) **U.S. Cl.**
USPC **D24/129**
(58) **Field of Classification Search**
USPC D24/127-131, 112-114, 133, 186;
606/181, 185; 604/264, 272, 115, 232,
604/187, 158, 164.08, 192, 263, 163, 181,
604/184, 198, 227; 600/101, 139, 143;
128/200.24, 207.14, 207.15
CPC A61M 39/1011; F16L 37/0841; F16L
2201/20; F16L 2201/60
See application file for complete search history.

(56) **References Cited**
U.S. PATENT DOCUMENTS
D591,417 S * 4/2009 Nichetti D24/108
D627,880 S * 11/2010 Ellis D24/130
D630,320 S * 1/2011 Lombardi, III D24/129
D663,022 S * 7/2012 Lombardi, III D24/129

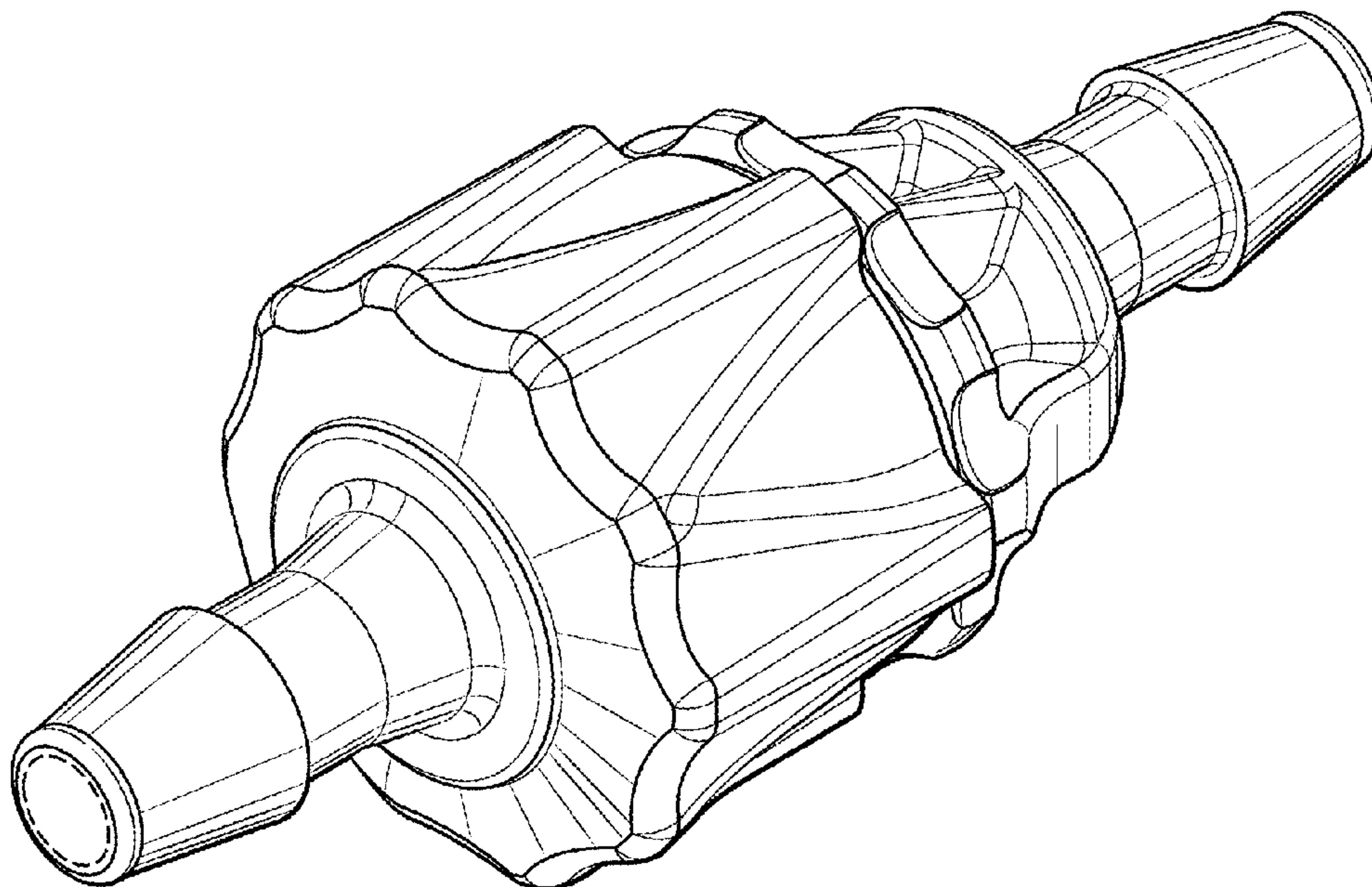
D675,318 S * 1/2013 Luk D24/130
D685,467 S * 7/2013 Strong D24/130
D698,440 S * 1/2014 Lombardi, III D24/129
D699,841 S * 2/2014 Lombardi, III D24/129
D720,452 S * 12/2014 Jordan D24/130
D733,265 S * 6/2015 Eriksen D23/262
9,046,205 B2 * 6/2015 Whitaker A61M 39/10
2013/0320672 A1 * 12/2013 Steele F16L 37/0982
285/305
2015/0013809 A1 * 1/2015 Lopez A61M 39/10
137/798

* cited by examiner
Primary Examiner — David Muller
Assistant Examiner — Nathan Johnston
(74) *Attorney, Agent, or Firm* — Baker & Hostetler LLP

(57) **CLAIM**
The ornamental design for a medical fluid connector, as shown and described.

DESCRIPTION
FIG. 1 is an isometric view of the medical fluid connector showing my new design;
FIG. 2 is a front elevation view thereof;
FIG. 3 is a rear elevation view thereof;
FIG. 4 is a right side elevation view with the left side elevation view being a mirror image thereof; and,
FIG. 5 is a top plan view with the bottom plan view being a mirror image thereof.
The broken lines in the figures are shown for the purpose of illustrating boundaries of the claimed design and the areas inside the broken line boundaries form no part of the claimed design.

1 Claim, 3 Drawing Sheets



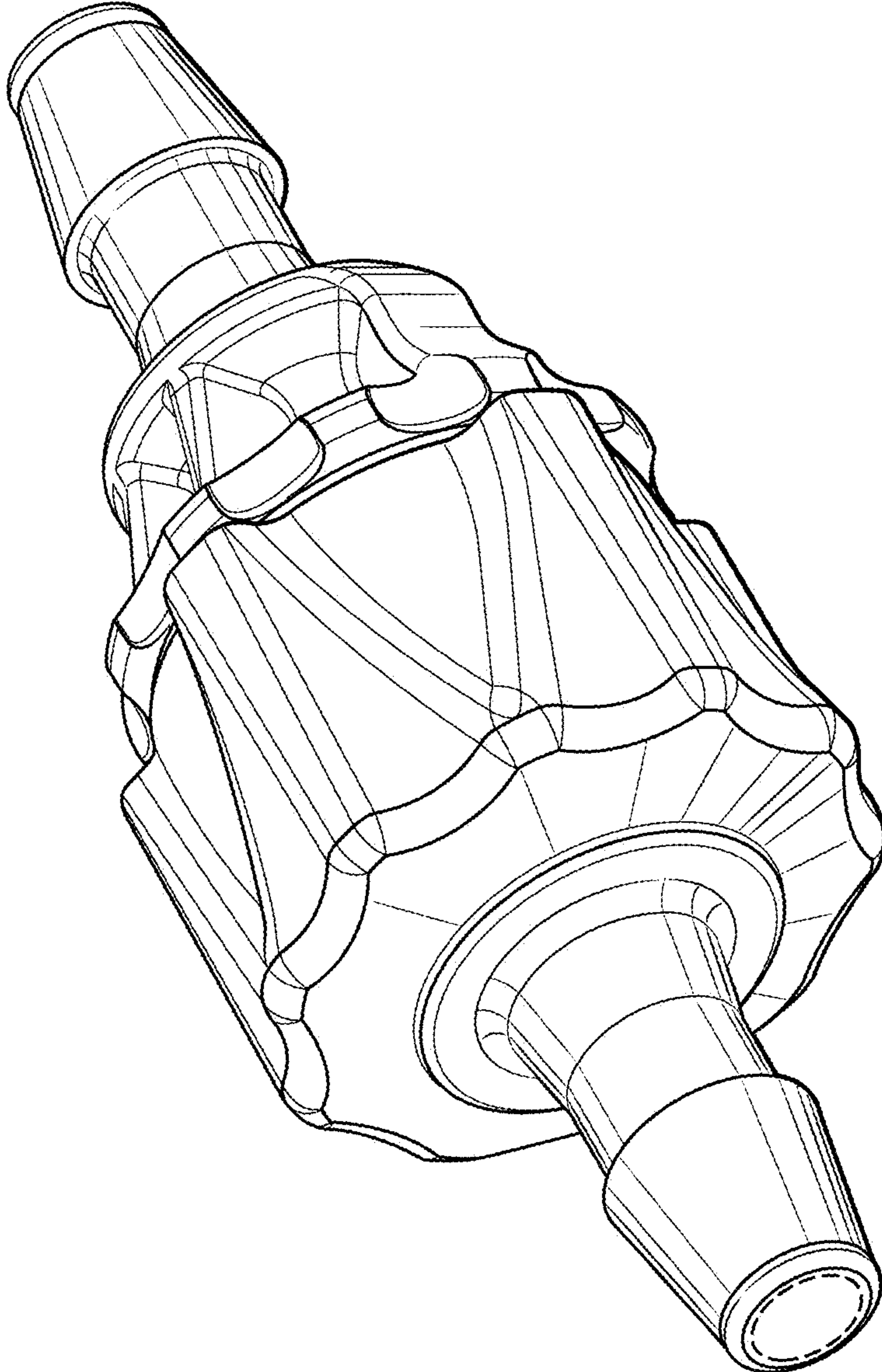


FIG. 1

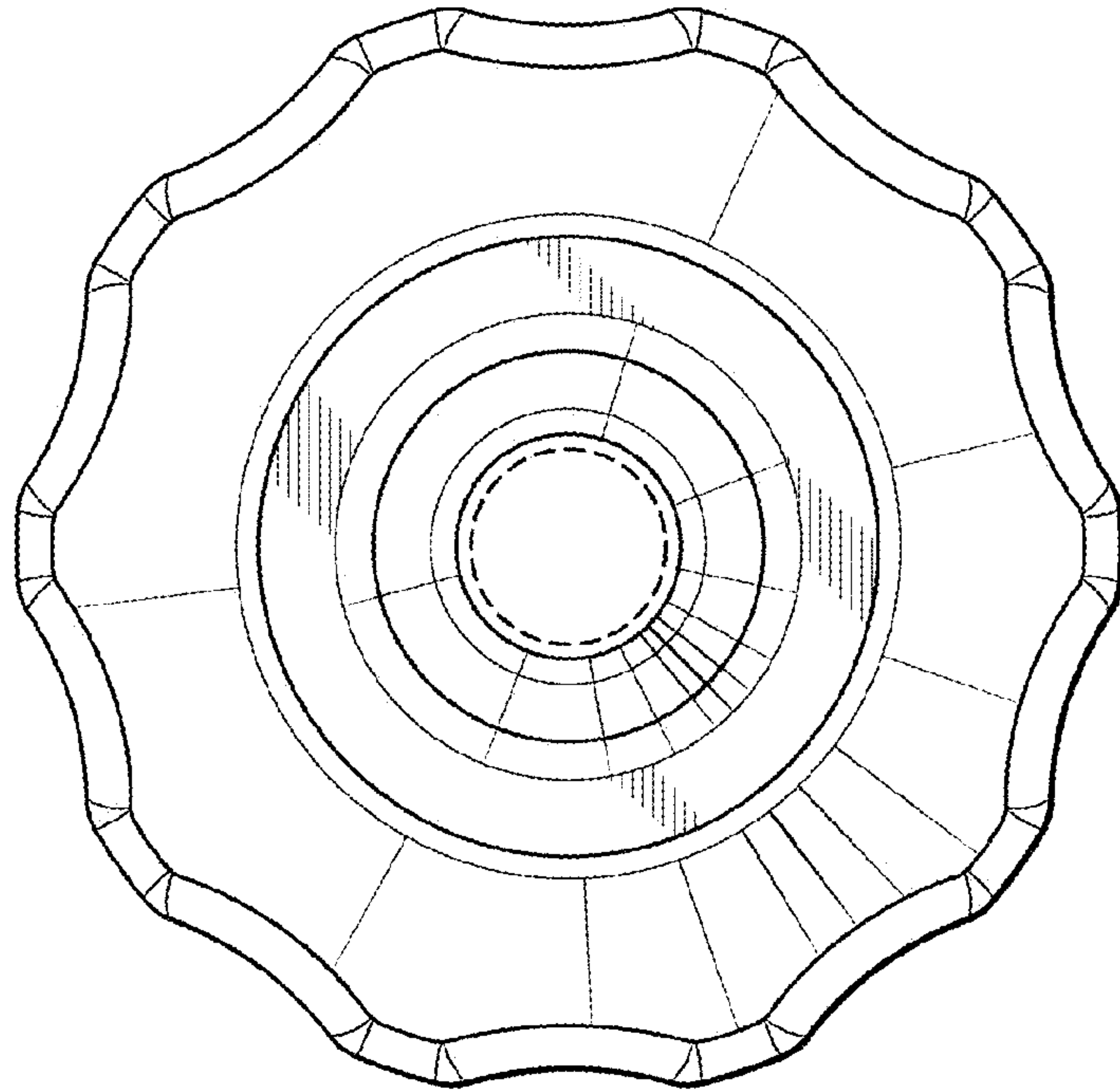


FIG. 2

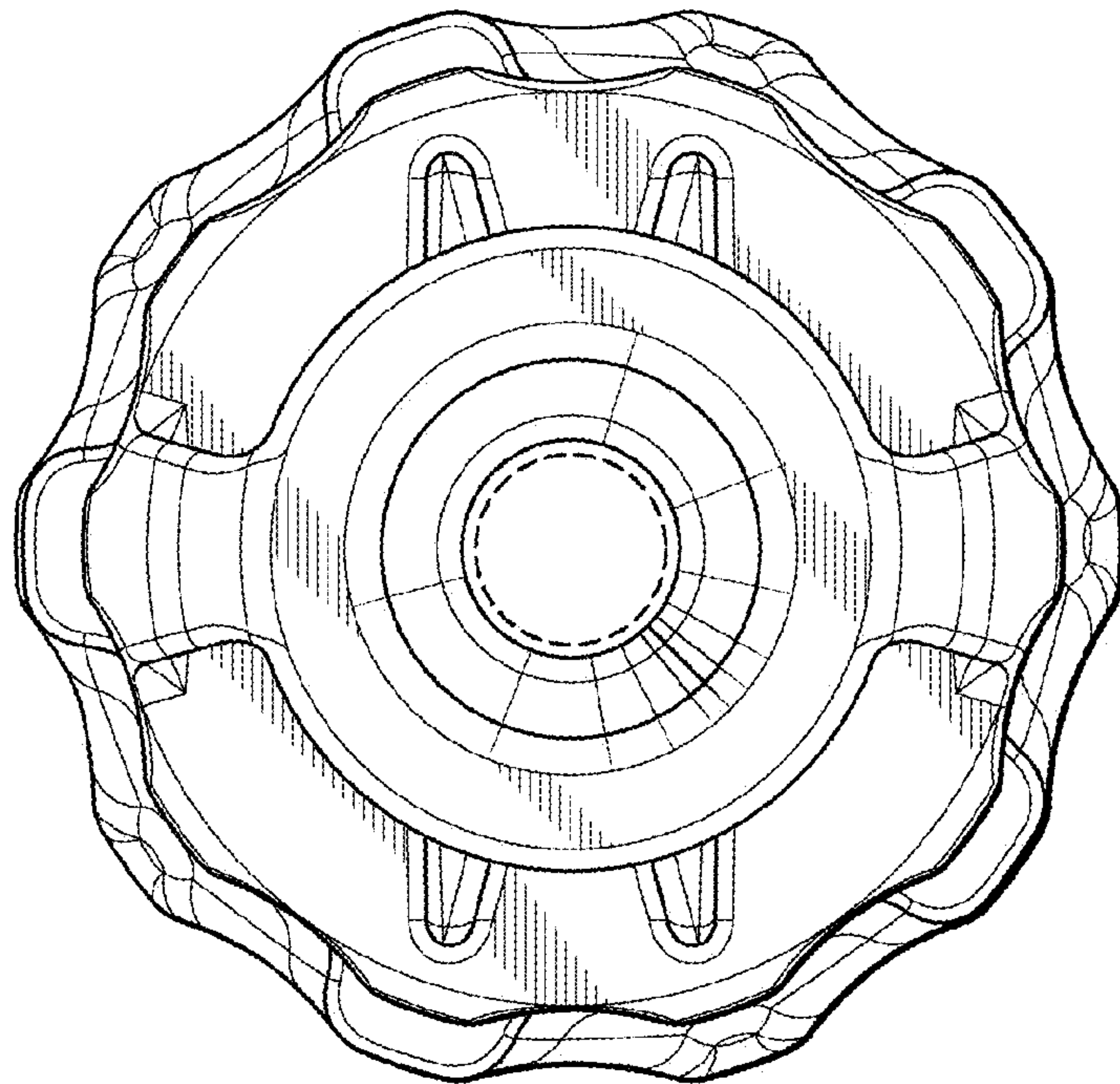


FIG. 3

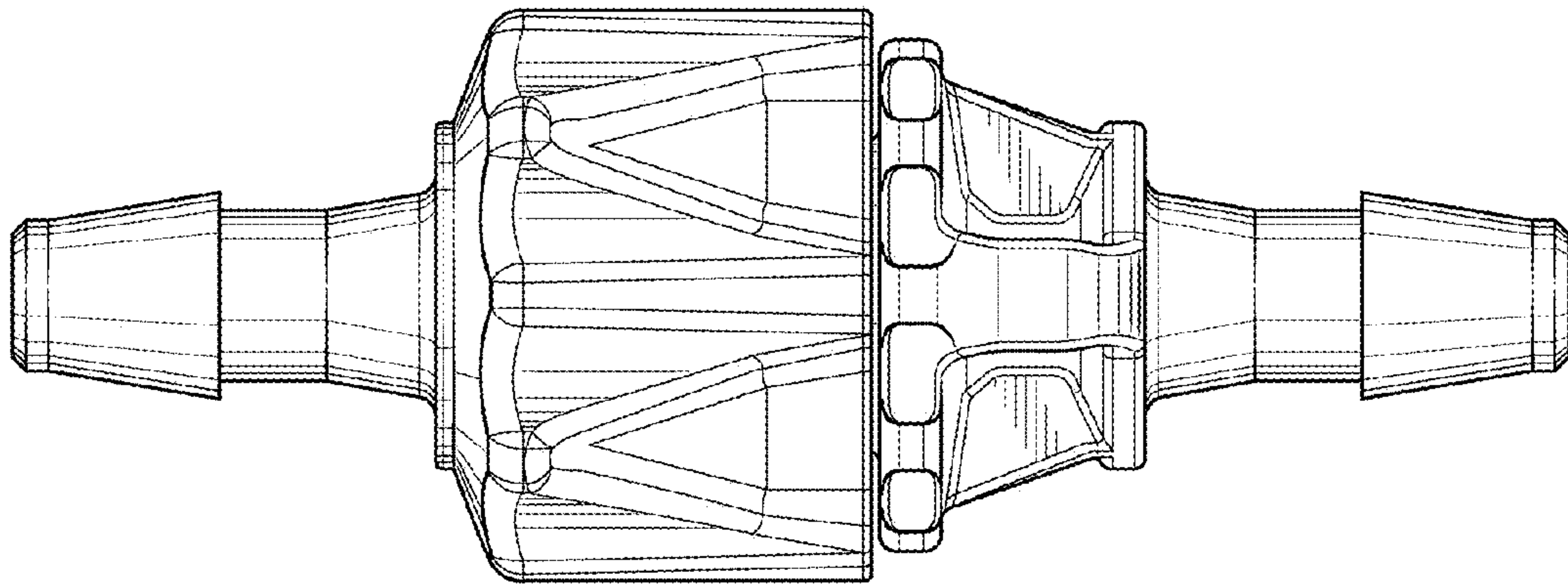


FIG. 4

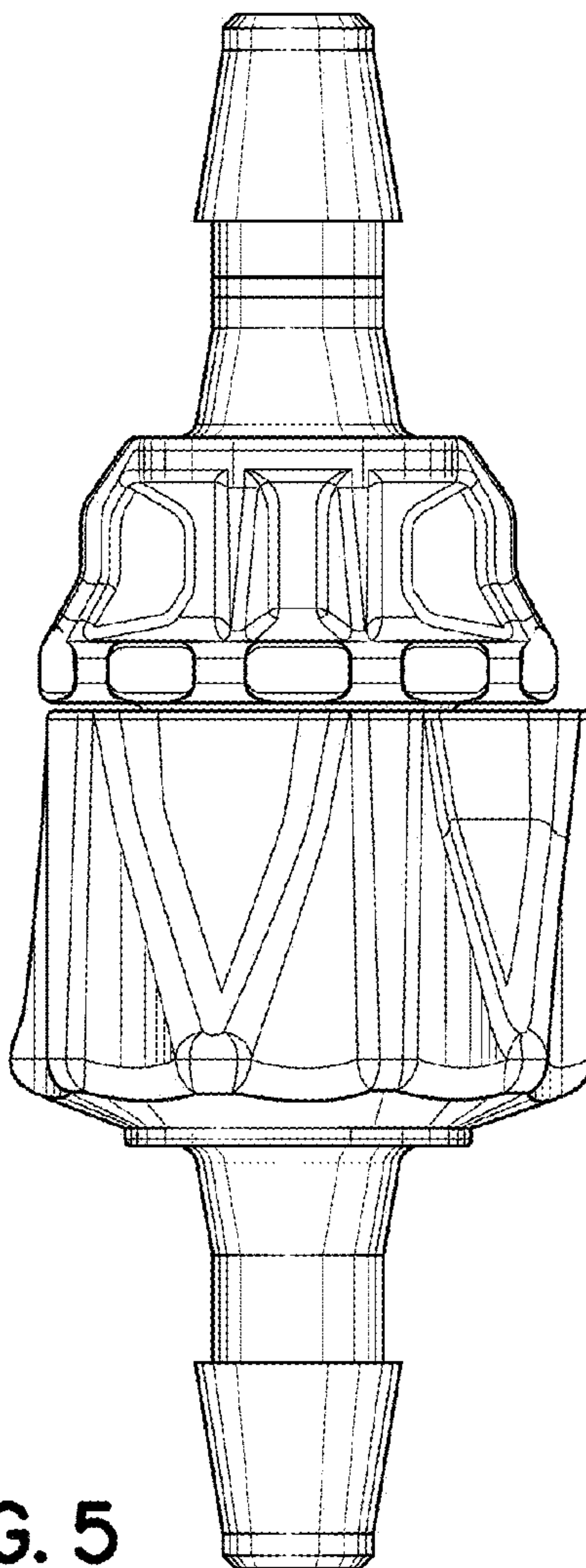


FIG. 5