



US00D771805S

(12) **United States Design Patent** (10) **Patent No.:** **US D771,805 S**  
**Brooker** (45) **Date of Patent:** **\*\* Nov. 15, 2016**

(54) **MEDICAL DEVICE SUPPORT BRACKET**

(71) Applicant: **Robert Brooker**, Hollywood, FL (US)

(72) Inventor: **Robert Brooker**, Hollywood, FL (US)

(\*\*) Term: **14 Years**

(21) Appl. No.: **29/512,835**

(22) Filed: **Dec. 23, 2014**

(51) **LOC (10) Cl.** ..... **24-02**

(52) **U.S. Cl.**  
USPC ..... **D24/128; D24/187**

(58) **Field of Classification Search**  
USPC ..... D24/186-187, 127-128, 227, 231;  
D8/373, 372, 380  
CPC ..... A61M 25/02; A61M 16/0683; A61B  
1/00147; A61B 8/4209; F16M 13/005;  
F16M 13/022  
See application file for complete search history.

(56) **References Cited**

**U.S. PATENT DOCUMENTS**

D168,074 S *	10/1952	Symington	.....	D8/380
D312,960 S *	12/1990	Embree	.....	D6/572
D324,735 S *	3/1992	Collister	.....	D24/128
6,050,263 A *	4/2000	Choksi	.....	A61M 16/0488 128/207.14
D434,496 S *	11/2000	Choksi	.....	D24/128
6,302,052 B1	10/2001	Sauerwein		
D516,413 S	3/2006	Anderson		
D542,126 S *	5/2007	Ernst	.....	D8/373
D543,441 S	5/2007	Hall		
D581,771 S	12/2008	Ernst		
D592,304 S *	5/2009	Kuehfuss	.....	D24/128
8,011,625 B2	9/2011	Ginsberg		
8,230,863 B2	7/2012	Ravikumar		

8,562,535 B2	10/2013	Driedger		
2004/0050807 A1	3/2004	Cheng		
2005/0115912 A1	6/2005	Szuminski		
2005/0131301 A1	6/2005	Peszynski		
2012/0061106 A1	3/2012	McAllister		
2012/0267408 A1	10/2012	DeVolder		
2012/0323125 A1	12/2012	Driedger		
2014/0061413 A1	3/2014	Bradfield		
2015/0320298 A1*	11/2015	Missov	.....	A61B 1/00147 600/102

**OTHER PUBLICATIONS**

Anesth Analg 1994;79:808-18, p. 810, Letters to the Editor—  
Transesophageal Echocardiography Probe Holder, Robert F.  
Brooker, MD.

\* cited by examiner

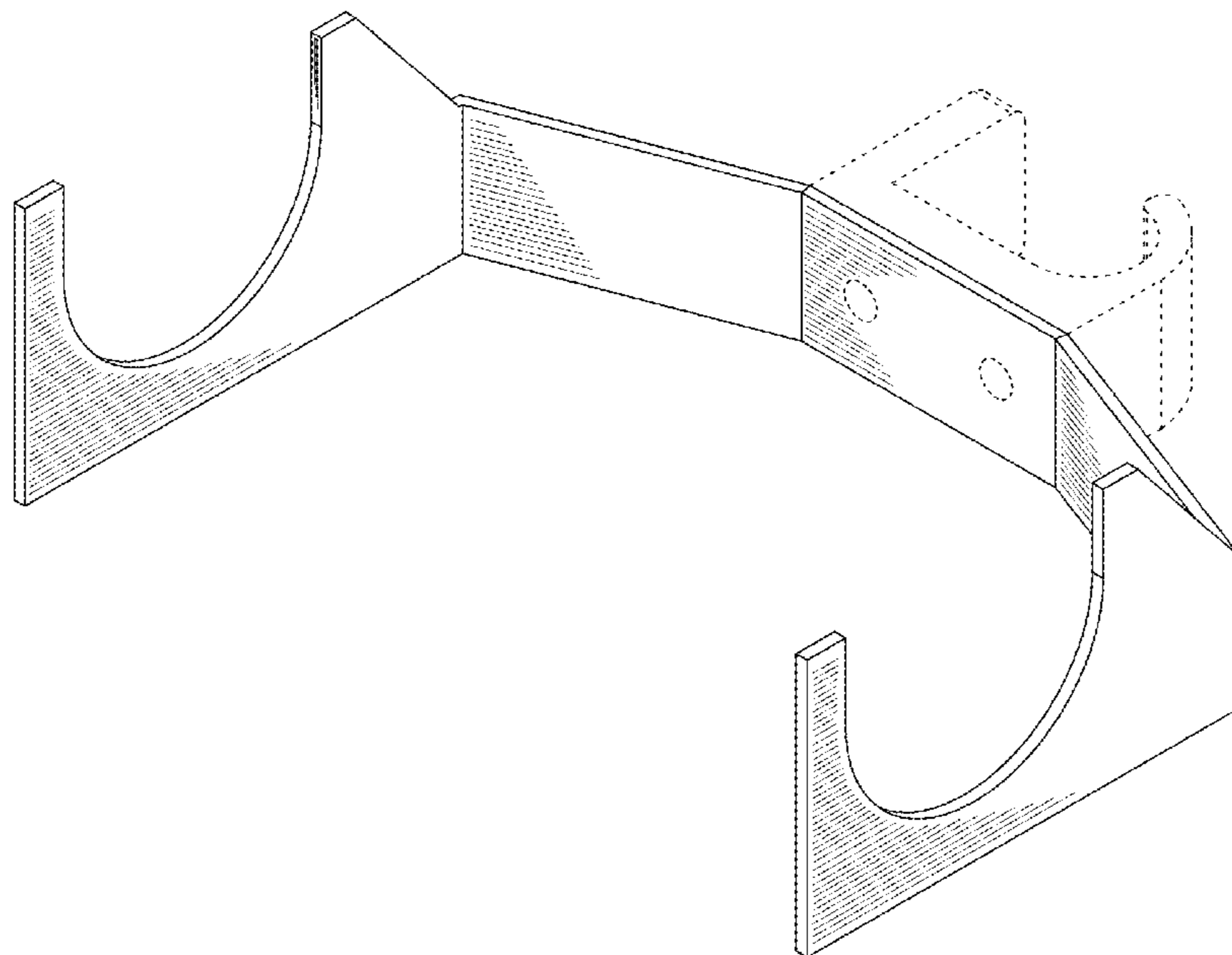
*Primary Examiner* — Wan Laymon  
(74) *Attorney, Agent, or Firm* — Robert M. Schwartz

(57) **CLAIM**  
The ornamental design for a medical device support bracket,  
as shown and described.

**DESCRIPTION**

FIG. 1 is a perspective view of a medical device support  
bracket showing the new design.  
FIG. 2 is a front view of the design.  
FIG. 3 is a side view of the design.  
FIG. 4 is a bottom view of the design.  
FIG. 5 is a top view of the design; and,  
FIG. 6 is a rear view of the design.  
The broken lines shown in the figures represent portions of  
the medical device support bracket that form no part of the  
claimed design.  
The left and right side views of the claimed device are the  
same and thus there is only one side view presented.

**1 Claim, 4 Drawing Sheets**



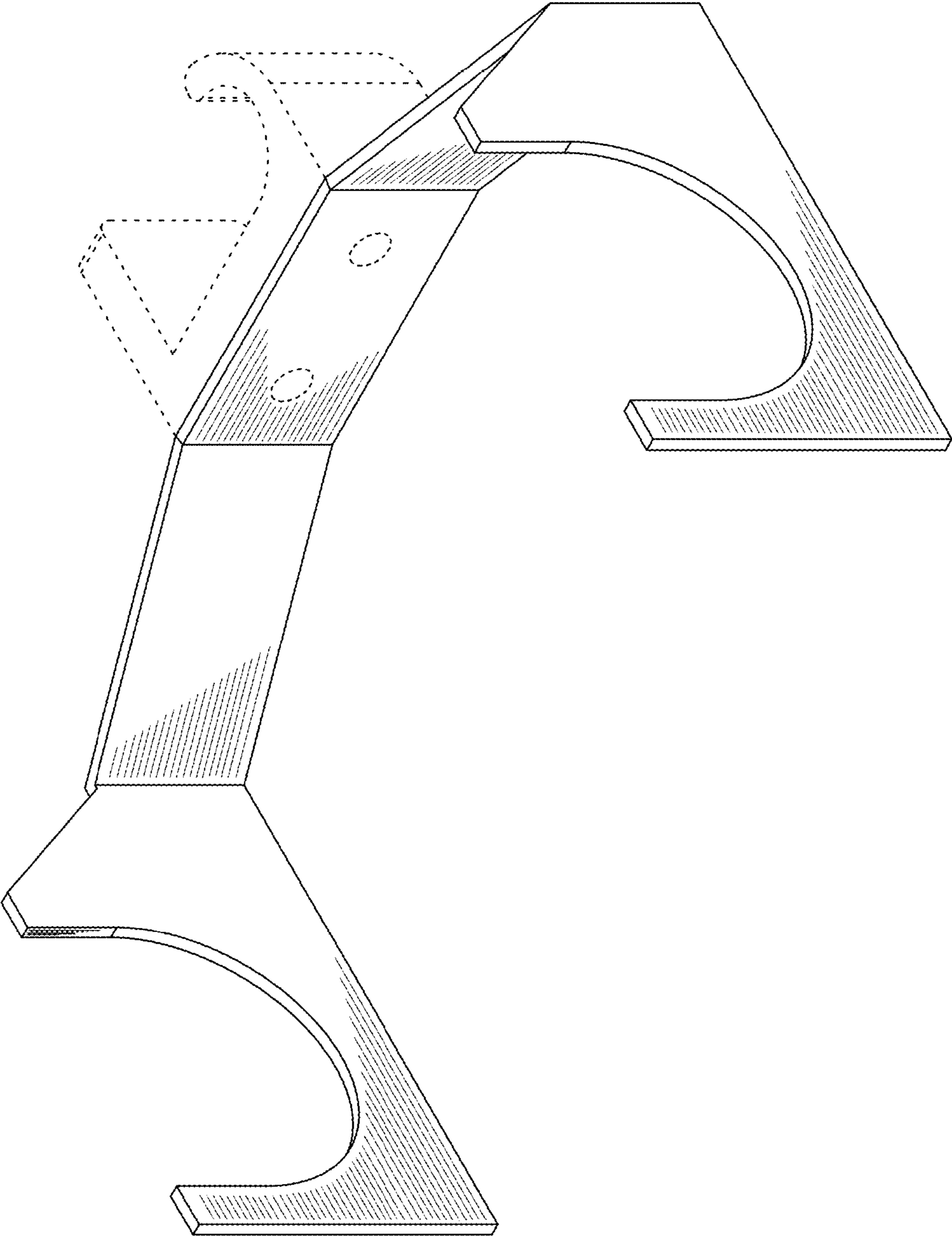


FIG. 1

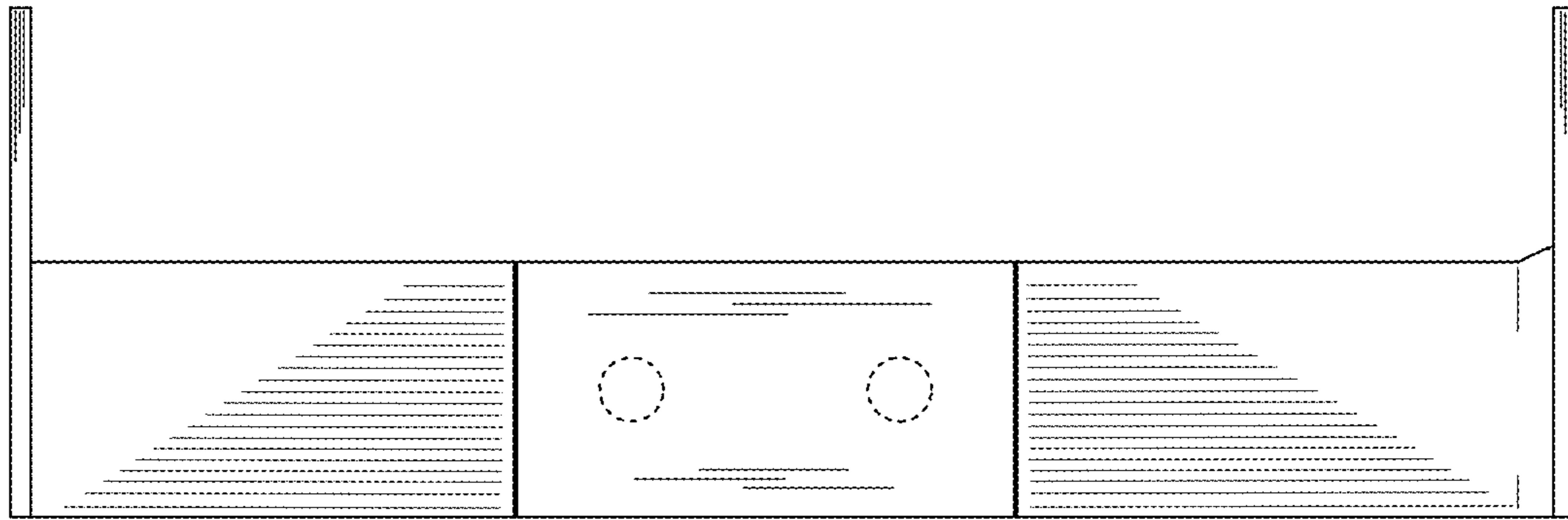


FIG. 2

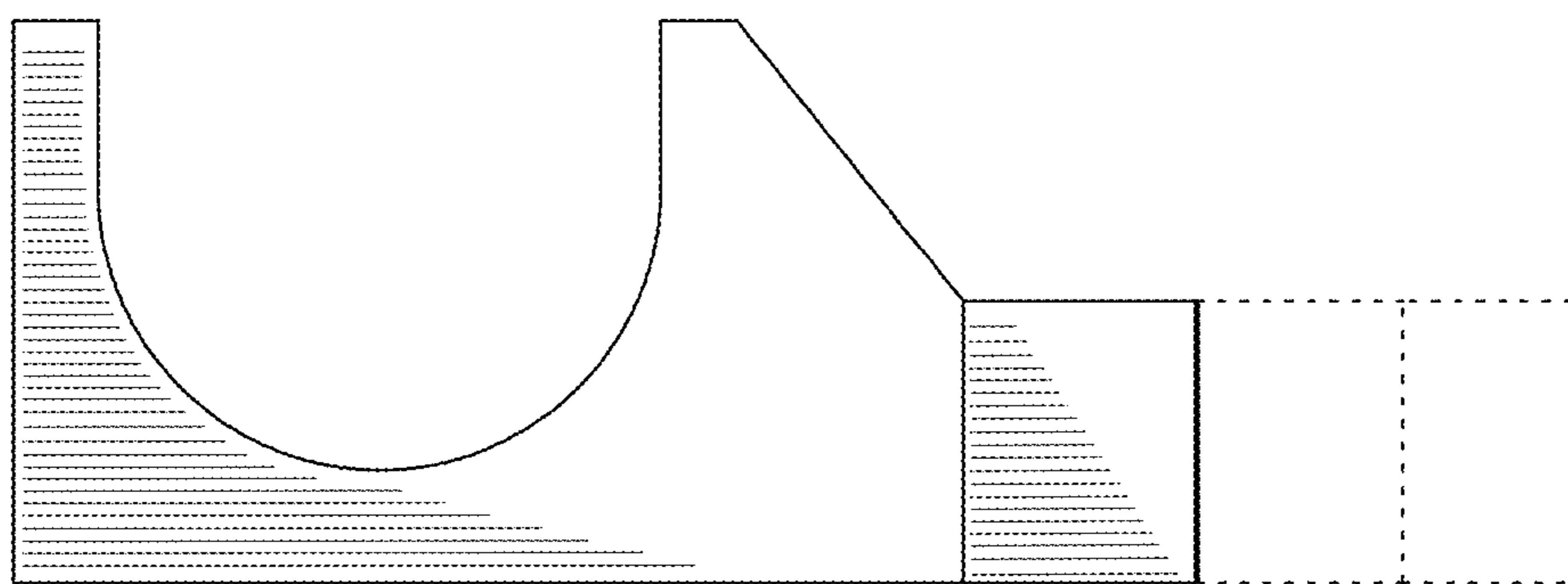


FIG. 3

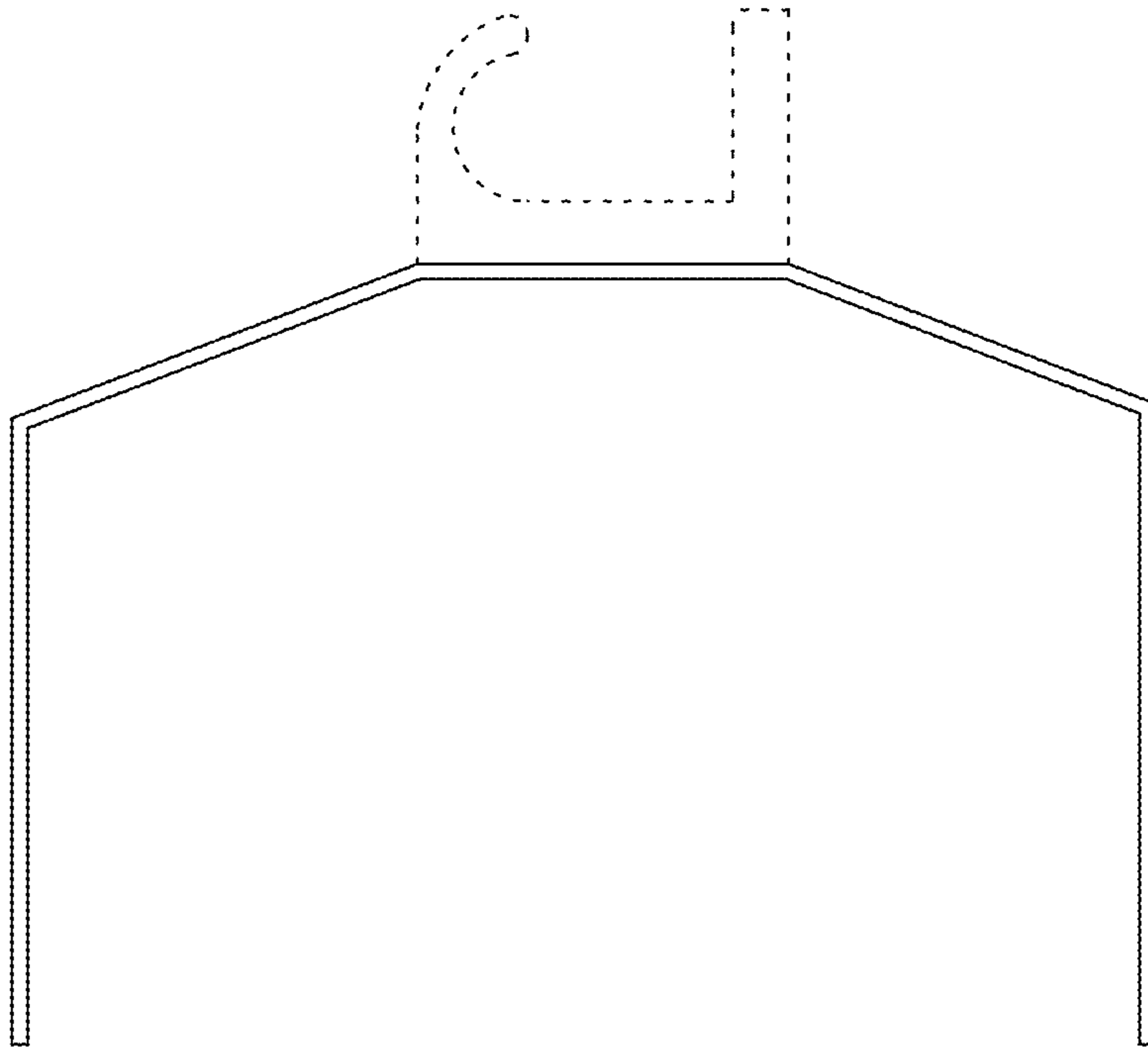


FIG. 4

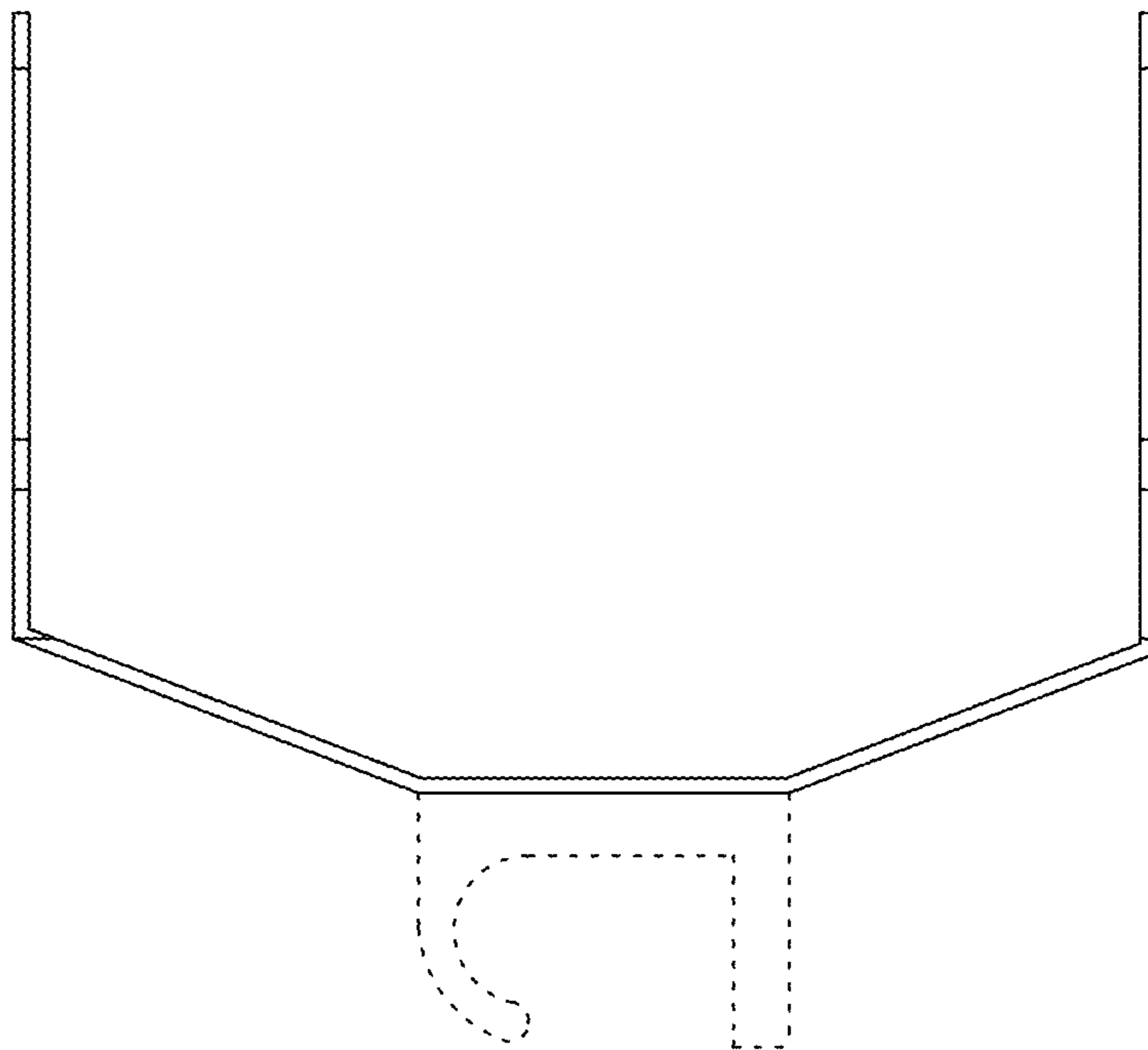


FIG. 5

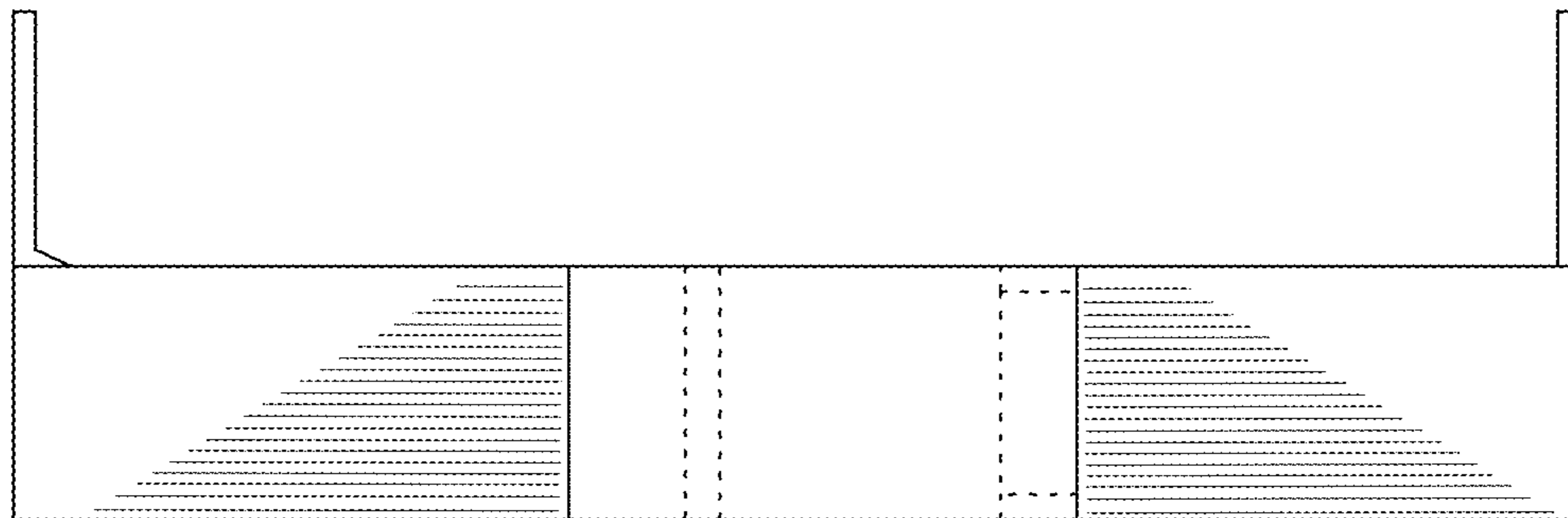


FIG. 6