



US00D771803S

(12) **United States Design Patent** (10) **Patent No.:** **US D771,803 S**
Tanguay (45) **Date of Patent:** **** Nov. 15, 2016**

(54) **PORTABLE URINAL DEVICE**
(71) Applicant: **Hygie Canada Inc.**, Brossard (CA)
(72) Inventor: **Eric Tanguay**, Candiac (CA)
(73) Assignee: **Hygie Canada Inc.**, Brossard (CA)
(**) Term: **14 Years**

(21) Appl. No.: **29/495,909**
(22) Filed: **Jul. 7, 2014**

(30) **Foreign Application Priority Data**

Jun. 26, 2014 (CA) 157427
(51) **LOC (10) Cl.** **24-04**
(52) **U.S. Cl.**
USPC **D24/122**
(58) **Field of Classification Search**
USPC D24/122, 123, 121, 224; D23/274, 302,
D23/295, 309, 200; 4/144.1-144.4, 459,
4/460; 604/317, 318, 334, 329, 331;
600/573; D9/453, 449, 447, 440, 436,
D9/435, 434, 516, 547, 549, 560, 572,
D9/573; D7/398, 397, 608, 602, 619.1,
D7/629; 222/570, 569, 544, 548, 562, 157,
222/158, 465.1, 475; 62/530
CPC A61G 9/006; A61G 9/00
See application file for complete search history.

(56) **References Cited**

U.S. PATENT DOCUMENTS

3,161,891 A 12/1964 Bauman
3,177,500 A 4/1965 Bauman
3,479,671 A * 11/1969 Beich A61G 9/006
4/144.1
3,679,125 A 7/1972 Forance et al.
3,716,871 A * 2/1973 Borse A61G 9/006
215/398
3,920,179 A 11/1975 Hall
3,921,234 A 11/1975 Mracek et al.

D259,511 S 6/1981 Peterson
4,305,161 A 12/1981 Diaz
D273,133 S 3/1984 Babic et al.
4,610,039 A 9/1986 Stern
D286,569 S 11/1986 Nakao et al.
D287,324 S 12/1986 Schmidt
4,683,598 A 8/1987 Jones
4,707,864 A 11/1987 Ikematsu et al.
D297,462 S 8/1988 Meunchen
4,769,858 A * 9/1988 Gamm A61G 9/006
215/380
D313,150 S * 12/1990 Hestehave D7/612
D322,940 S 1/1992 Rivera
D342,784 S 12/1993 Passiak et al.
D349,241 S 8/1994 Isaacson
5,354,132 A 10/1994 Young et al.

(Continued)

FOREIGN PATENT DOCUMENTS

CN 200966771 Y 10/2007
DE 4116596 A1 12/1991

(Continued)

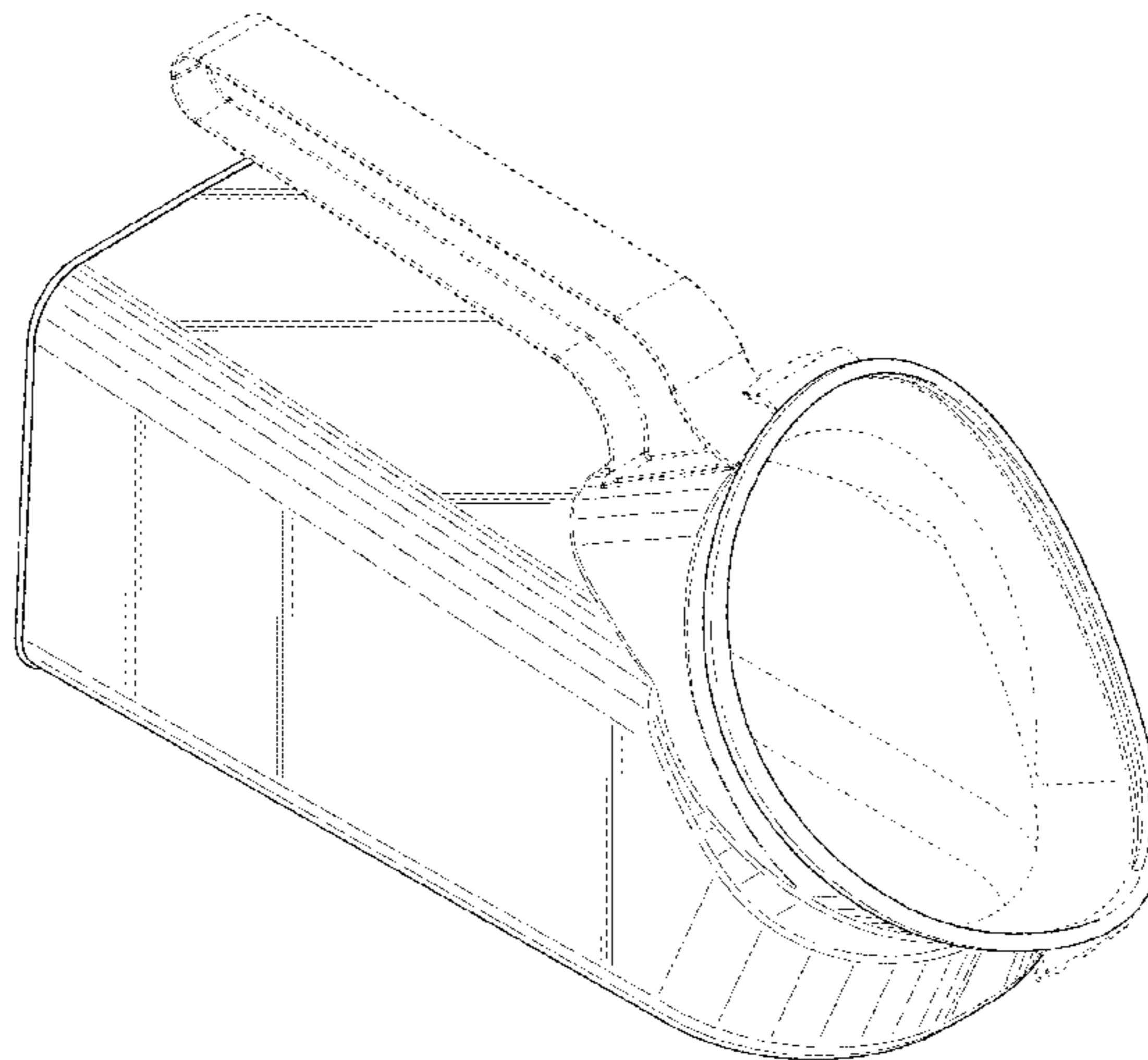
Primary Examiner — David Muller
Assistant Examiner — Nathan Johnston
(74) *Attorney, Agent, or Firm* — Price Heneveld LLP

(57) **CLAIM**
ornamental design for a portable urinal device, as shown and described.

DESCRIPTION

FIG. 1 is a perspective view of a portable urinal device showing my new design;
FIG. 2 is a left-side elevation view thereof, the right-side elevation view being a mirror image thereof;
FIG. 3 is a front elevation view thereof;
FIG. 4 is a rear elevation view thereof;
FIG. 5 is a top plan view thereof; and,
FIG. 6 is a bottom plan view thereof.
The portions shown in broken lines do not form part of the claimed design.

1 Claim, 5 Drawing Sheets



(56)

References Cited

U.S. PATENT DOCUMENTS

5,387,205 A * 2/1995 Cummins A61F 5/455
4/144.3
5,409,473 A 4/1995 Rosenshein
D371,842 S * 7/1996 Pilsworth D24/122
5,571,095 A 11/1996 Lu
D379,302 S 5/1997 Rodman
5,647,670 A 7/1997 Iscovich
D389,240 S 1/1998 Corona
5,745,926 A 5/1998 Cailleateau
5,778,461 A 7/1998 Attaway
5,797,147 A * 8/1998 Young A47K 11/12
137/515
D399,007 S 9/1998 Jones et al.
D399,308 S 10/1998 Garlock
5,816,631 A 10/1998 Kochan
5,842,233 A 12/1998 Broden
5,926,858 A * 7/1999 Heller A47K 11/12
4/144.1
D418,060 S 12/1999 De Villiers
D421,170 S 2/2000 Siu
D429,934 S 8/2000 Hofman
D430,655 S * 9/2000 Anderson D23/302
D439,970 S * 4/2001 Fisher D24/121
6,295,831 B1 10/2001 Watson
D452,355 S 12/2001 Leyshon
D464,729 S 10/2002 Rehrig

D476,787 S 7/2003 Templeton
D481,236 S 10/2003 Hunt
D481,894 S 11/2003 Hunt
D488,226 S 4/2004 MacDonald et al.
D489,261 S 5/2004 Doelling
D497,981 S 11/2004 Call
6,874,936 B2 4/2005 Gillis et al.
7,029,463 B1 4/2006 Estudillo
D543,274 S 5/2007 Takahashi
D567,368 S 4/2008 Guptill
D580,049 S 11/2008 Tanguay
D583,933 S 12/2008 Finney et al.
D612,181 S 3/2010 Tanguay
D639,933 S 6/2011 Tanguay
D685,465 S * 7/2013 Reda D24/122
2009/0036848 A1 * 2/2009 Faiola A61G 9/006
604/329
2009/0158511 A1 * 6/2009 Maze A47K 11/12
4/144.1

FOREIGN PATENT DOCUMENTS

EP 0031396 A1 7/1981
EP 0549850 A1 7/1993
GB 2227728 A 8/1990
WO 9804230 A1 2/1998
WO 9926868 A1 6/1999

* cited by examiner

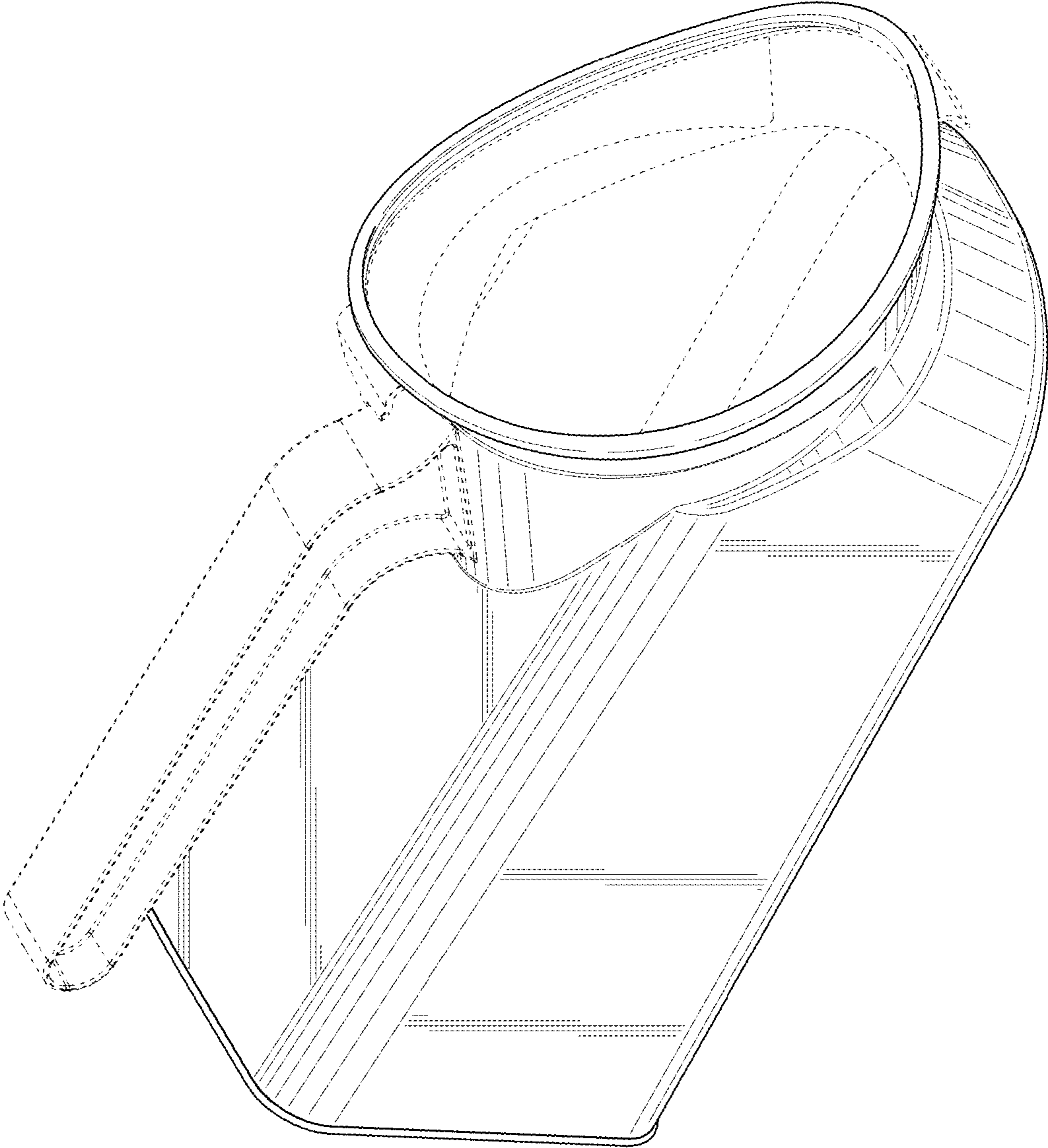


FIG. 1

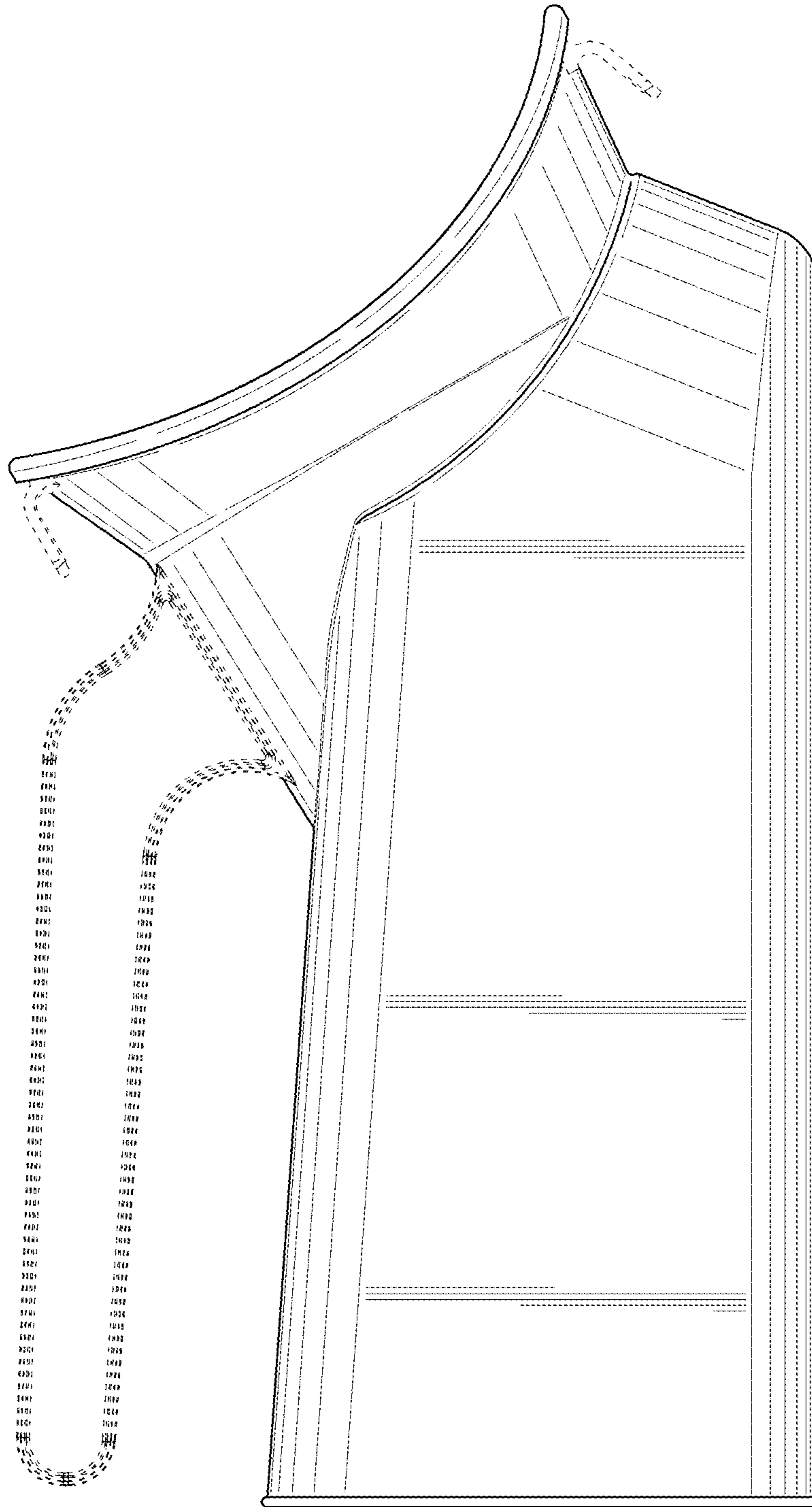


FIG. 2

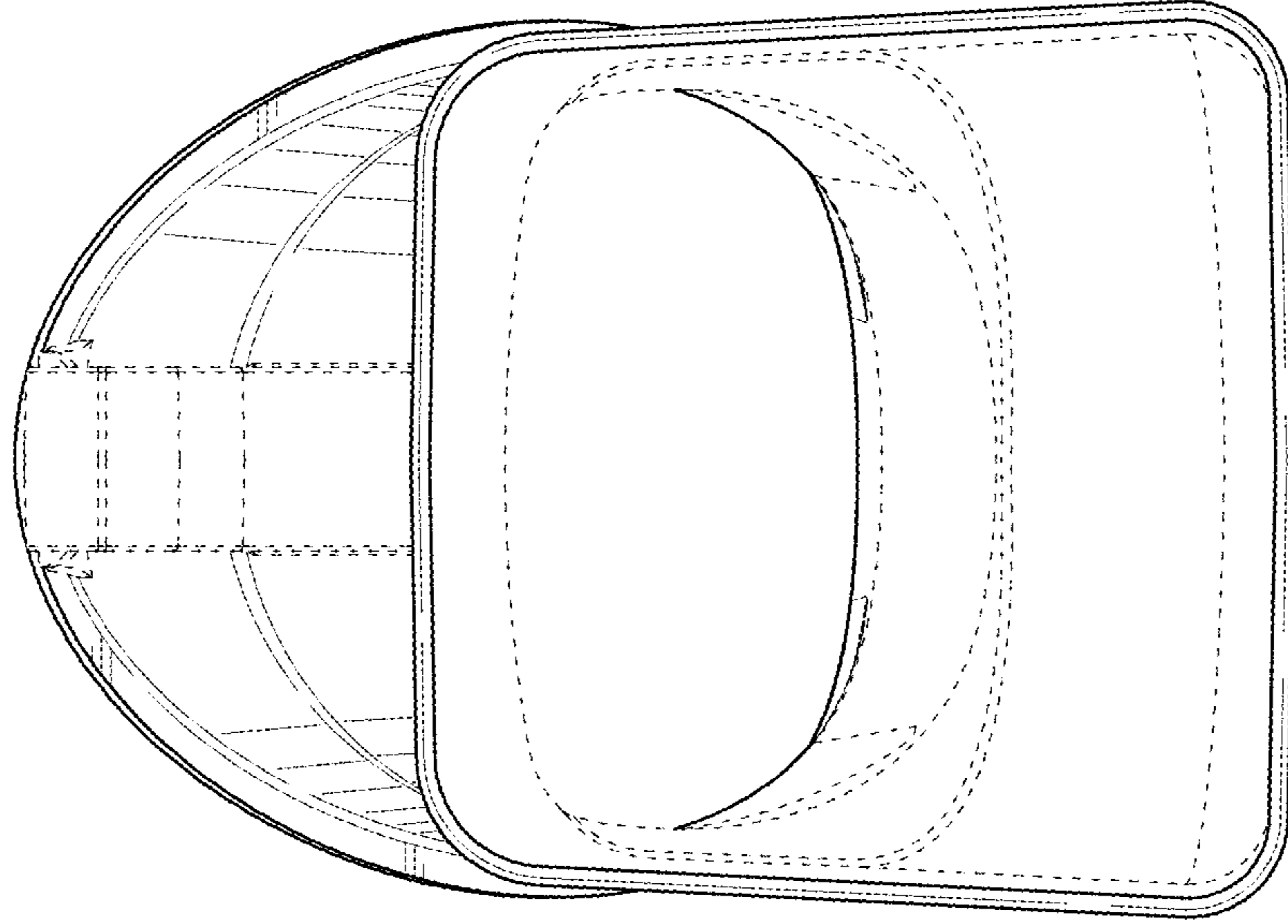


FIG. 4

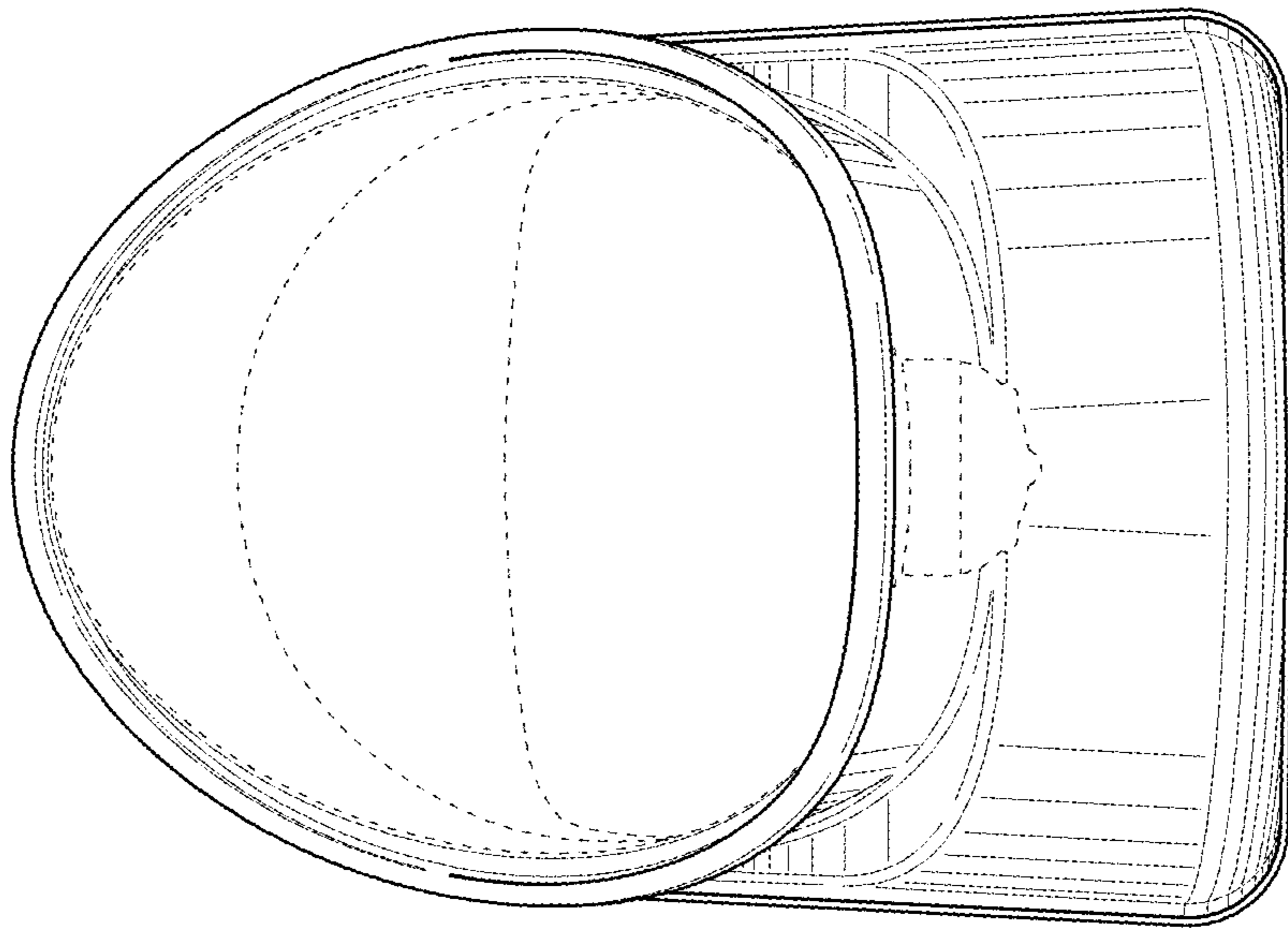


FIG. 3

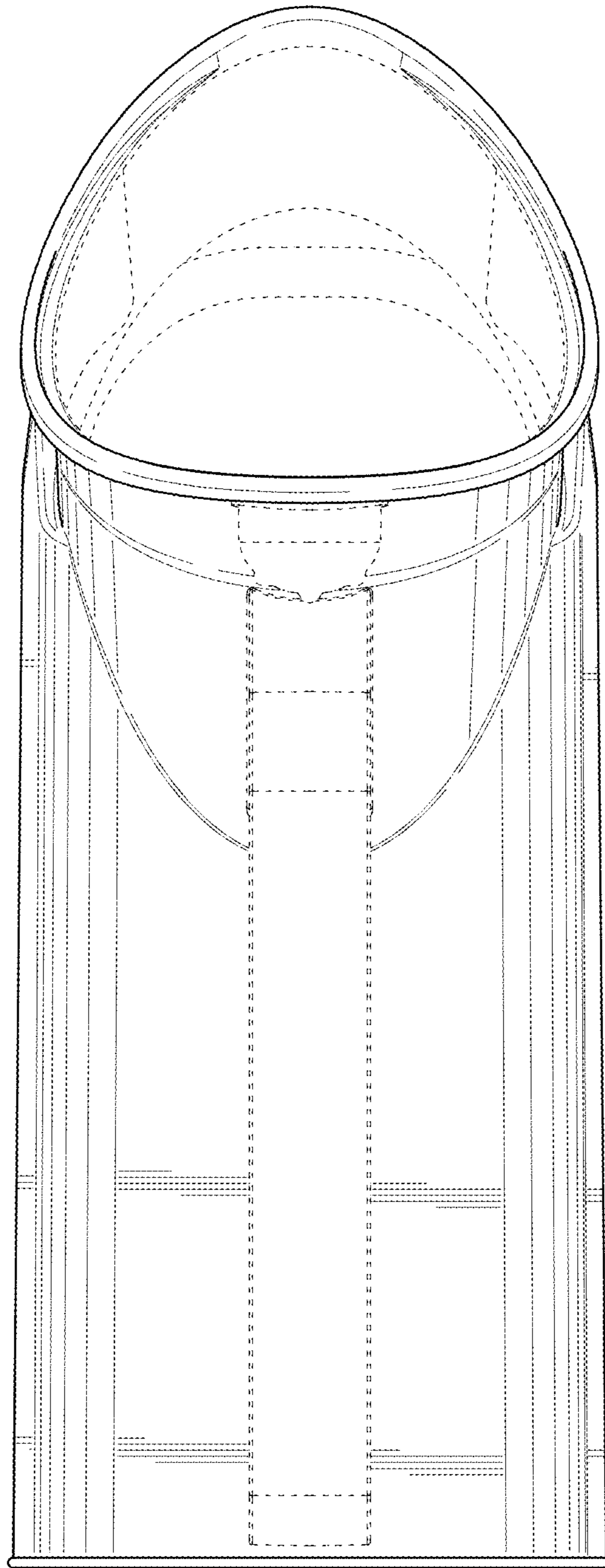


FIG. 5

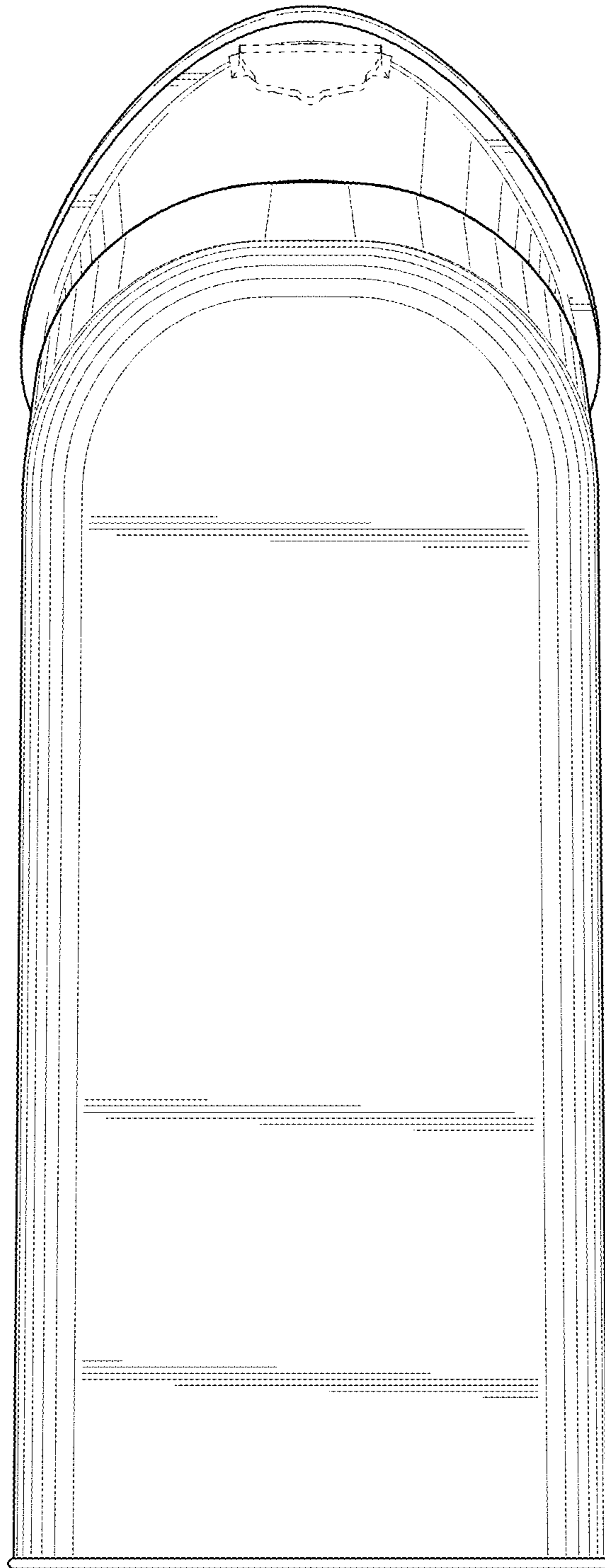


FIG. 6

UNITED STATES PATENT AND TRADEMARK OFFICE
CERTIFICATE OF CORRECTION

PATENT NO. : D771,803 S
APPLICATION NO. : 29/495909
DATED : November 15, 2016
INVENTOR(S) : Eric Tanguay

Page 1 of 1

It is certified that error appears in the above-identified patent and that said Letters Patent is hereby corrected as shown below:

On the Title Page

Item (57), Claim:

“ornamental design” should be -- The ornamental design --.

Signed and Sealed this
Eleventh Day of April, 2017



Michelle K. Lee
Director of the United States Patent and Trademark Office