



US00D771802S

(12) **United States Design Patent** (10) **Patent No.:** **US D771,802 S**  
**Shulman** (45) **Date of Patent:** **\*\* Nov. 15, 2016**

(54) **EYE DROP APPLICATOR**

(71) Applicant: **Julius Shulman**, New York, NY (US)  
(72) Inventor: **Julius Shulman**, New York, NY (US)  
(73) Assignee: **Magic Touch Eye, Inc.**, New York, NY (US)  
(\*\*) Term: **15 Years**

*Primary Examiner* — David Muller  
(74) *Attorney, Agent, or Firm* — Kilpatrick Townsend & Stockton LLP

(21) Appl. No.: **29/564,315**

(22) Filed: **May 12, 2016**

(51) **LOC (10) Cl.** ..... **24-02**

(52) **U.S. Cl.**  
USPC ..... **D24/120**

(58) **Field of Classification Search**  
USPC ..... D24/120, 121, 108, 193, 150;  
604/294-302, 289, 290; 4/620; 215/4,  
(Continued)

(57) **CLAIM**

The ornamental design for an eye drop applicator, as shown and described.

**DESCRIPTION**

FIG. 1 is a perspective view of an eye drop applicator, shown with a removable cap.

FIG. 2 is a side view of the eye drop applicator of FIG. 1, shown with the cap positioned on the applicator.

FIG. 3 is a side view of the eye drop applicator of FIG. 1, shown without the cap, with other side views being identical to the side view shown in FIG. 3.

FIG. 4 is a top view of the eye drop applicator of FIG. 1, shown with the cap positioned on the applicator.

FIG. 5 is a top view of the eye drop applicator of FIG. 1, shown without the cap.

FIG. 6 is a bottom view of the eye drop applicator of FIG. 1, shown without the cap.

FIG. 7 is a side view of the eye drop applicator of FIG. 1, shown positioned on a bottle and with the cap positioned on the applicator; and,

FIG. 8 is a perspective view of the eye drop applicator of FIG. 1, shown without the cap and shown disposed on a user's finger, filled with an eye drop, and positioned with respect to a user's eye.

The dash-dot broken lines represent an unclaimed boundary of the claimed design. The remaining broken lines illustrate unclaimed subject matter and/or surrounding environment and form no part of the claimed design.

(56) **References Cited**

**U.S. PATENT DOCUMENTS**

1,336,109 A 4/1920 Trullinger  
2,019,071 A 10/1935 Carr et al.  
(Continued)

**FOREIGN PATENT DOCUMENTS**

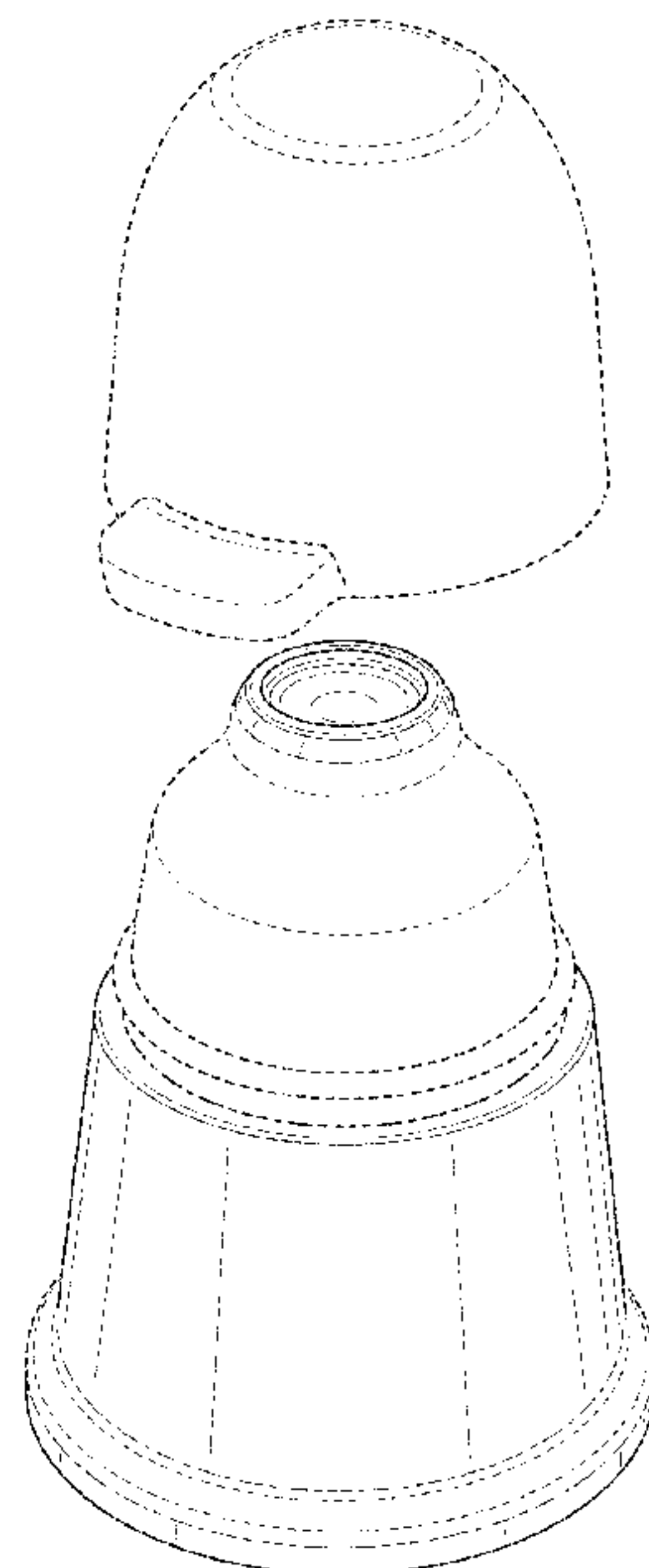
DE 29711373 11/1997  
WO 2014055676 4/2014  
WO 2014111802 7/2014

**OTHER PUBLICATIONS**

<https://web.archive.org/web/20110220003150/http://eyepodmagic.com>, Feb. 20, 2011.

(Continued)

**1 Claim, 8 Drawing Sheets**



(58) **Field of Classification Search**  
 USPC . 215/305, 328; 206/210, 828; 222/566, 575,  
 222/420; D9/453  
 CPC ..... A61F 9/0008; A61M 35/00; A61M  
 35/003; B65D 47/18  
 See application file for complete search history.

2006/0129113 A1 6/2006 Merrick et al.  
 2006/0198692 A1 9/2006 Petit et al.  
 2007/0287123 A1 12/2007 Swift et al.  
 2009/0105749 A1 4/2009 de Juan et al.  
 2010/0234319 A1 9/2010 Yu et al.  
 2011/0306942 A1 12/2011 Thorpe et al.  
 2014/0094759 A1 4/2014 Mansfield et al.  
 2014/0350492 A1 11/2014 Rojas et al.

(56) **References Cited**

U.S. PATENT DOCUMENTS

2,673,661 A 3/1954 Barton et al.  
 3,016,898 A 1/1962 Erwin et al.  
 3,958,528 A 5/1976 Hill et al.  
 4,085,750 A 4/1978 Bosshold et al.  
 D248,448 S \* 7/1978 McClure ..... D24/115  
 4,761,381 A 8/1988 Blatt et al.  
 4,834,728 A 5/1989 McKenna et al.  
 4,913,682 A 4/1990 Shabo et al.  
 4,960,407 A 10/1990 Cope et al.  
 4,968,310 A 11/1990 Menchel et al.  
 5,007,905 A 4/1991 Bauer et al.  
 5,040,706 A 8/1991 Davis et al.  
 5,246,145 A \* 9/1993 Leoncavallo ..... B65D 47/0885  
 215/216  
 5,387,202 A 2/1995 Baron  
 5,611,464 A \* 3/1997 Tsao ..... A61K 9/0048  
 222/189.06  
 5,756,050 A 5/1998 Kirillov et al.  
 5,902,292 A 5/1999 Feldman et al.  
 6,051,190 A 4/2000 Francois et al.  
 6,159,189 A 12/2000 Finnemore et al.  
 6,197,008 B1 \* 3/2001 Hagele ..... A61F 9/0008  
 222/420  
 6,331,085 B1 12/2001 Schrepf et al.  
 6,632,202 B1 \* 10/2003 Hagele ..... A61F 9/0008  
 222/420  
 6,913,406 B1 7/2005 Nocerino et al.  
 7,178,703 B2 \* 2/2007 Spada ..... A61F 9/0008  
 222/209  
 7,476,043 B1 1/2009 Rivas et al.  
 7,527,613 B2 5/2009 Gaynes et al.  
 D597,213 S \* 7/2009 Barnett ..... D24/117  
 7,678,089 B2 3/2010 Py et al.  
 7,758,553 B2 \* 7/2010 Poisson ..... A61M 35/003  
 222/212  
 D676,126 S \* 2/2013 Hair ..... D24/108  
 8,444,610 B2 \* 5/2013 Grevin ..... 222/420  
 8,679,078 B2 3/2014 Leahy et al.  
 D736,906 S \* 8/2015 Schultz ..... D24/108  
 D743,019 S \* 11/2015 Schultz ..... D24/108  
 D763,078 S \* 8/2016 Roy ..... D9/434

OTHER PUBLICATIONS

“5pcs Mini Facial Eye Silicone Massage Cup Diameter 6 Mm Cupping Vacuum Chinese”, <http://www.aliexpress.com/item/5pcs-MINI-FACIAL-EYE-SILICONE-MASSAGE-CUP-DIAMETER-6-MM-CUPPING-VACUUM-CHINESE/2021900579.html>, believed to be available as early as Jun. 16, 2015.  
 “Bradley Fixtures Opti-Aid™ Plus Personal Eyewash Station”, <https://www.fishersci.com/shop/products/bradley-fixtures-opti-aid-plus-personal-eyewash-station/p-3526554>, believed to be available as early as Jun. 16, 2015.  
<http://www.news-medical.net/news/20091211/Hot-Ideas-World-creates-Eye-POD-Eye-Care-Kit.aspx>, Dec. 11, 2009.  
<http://www.prnewswire.com/news-releases/inventor-discovers-a-new-way-of-inserting-contact-lens-in-1-second-finger-free-79397202.html>, Dec. 16, 2009.  
 “Lab Supplies”, MidAtlantic Ortho, [http://www.midatlanticortho.com/lab\\_supplies.php](http://www.midatlanticortho.com/lab_supplies.php), Aug. 2, 2009.  
 The Newest Unique Designed BPA Free Silicone Travel Bottle/ Names Of Eye Drops, [http://www.alibaba.com/product-detail/The-Newest-Unique-Designed-BPA-Free\\_716366566.html](http://www.alibaba.com/product-detail/The-Newest-Unique-Designed-BPA-Free_716366566.html), believed to be available as early as Jun. 16, 2015.  
 “Vistamaxx propylene-based elastomer”, ExxonMobil Chemical. N.p., <http://www.exxonmobilchemcial.com/Chem-English/brands/vistamaxx-propylene-based-elastomers.aspx?In=productservices>, Oct. 3, 2013.  
 Shmulinson et al., “Formation of Elastomeric Polypropylene Promoted by Racemic Acetylacetonate Group 4 Complexes”, *Organometallics*, vol. 19, <http://pubs.acs.org/doi/pdf/10.1021/om9908985>, Oct. 3, 2013, pp. 1208-1210.  
 Tiwari et al., “Polypropylene-elastomer (TPO) nanocomposites”, *Elsevier: Polymer*, vol. 52, No. 21, <http://www.sciencedirect.com/science/article/pii/S0032386111006859#>, Oct. 3, 2013, pp. 4955-4969.  
 Office Action, Design U.S. Appl. No. 29/545,356, mailed Sep. 1, 2016, 8 pages.  
 Office Action, Indian Design Application No. 283265, mailed Aug. 9, 2016, 2 pages.

\* cited by examiner

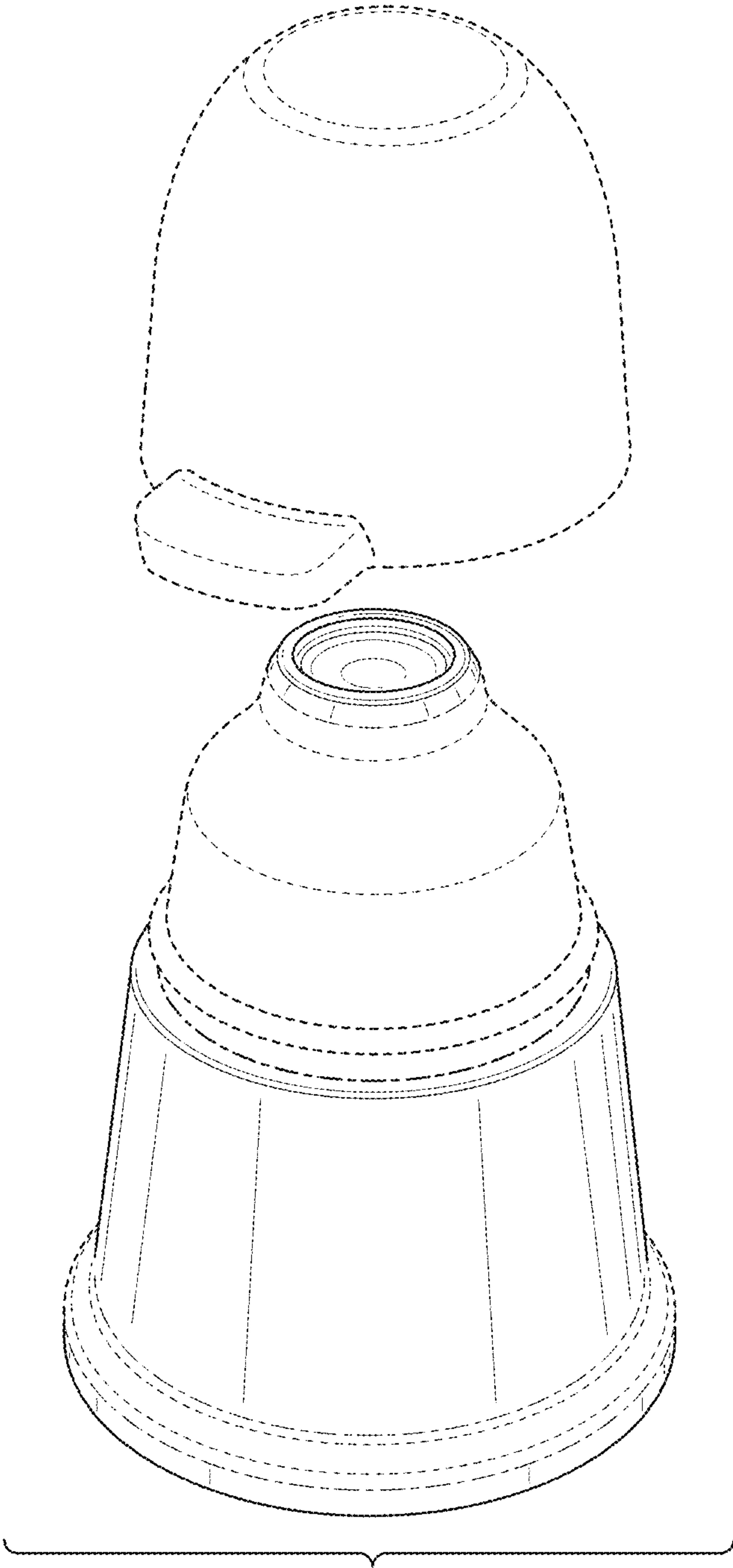


FIG. 1

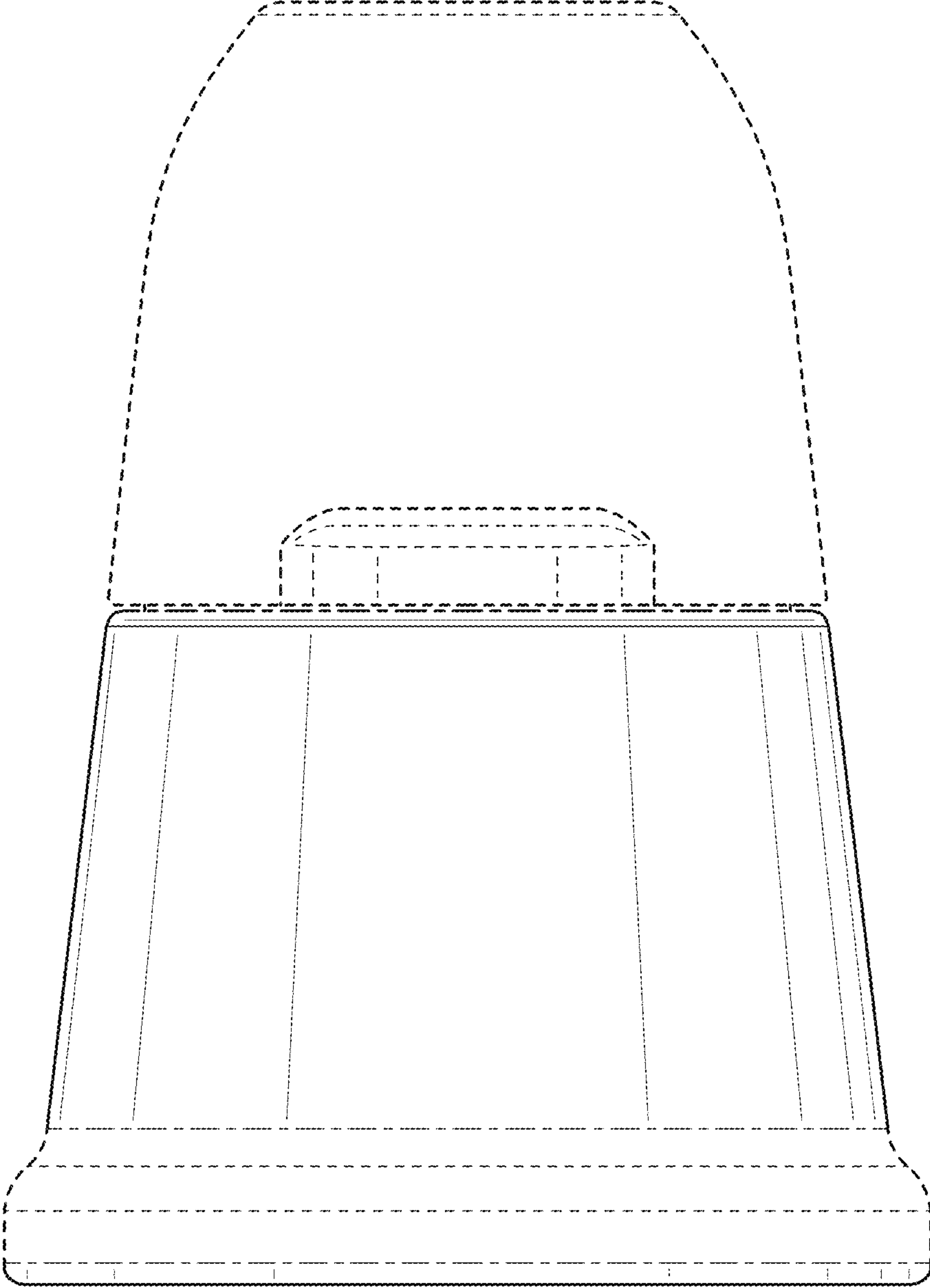


FIG. 2



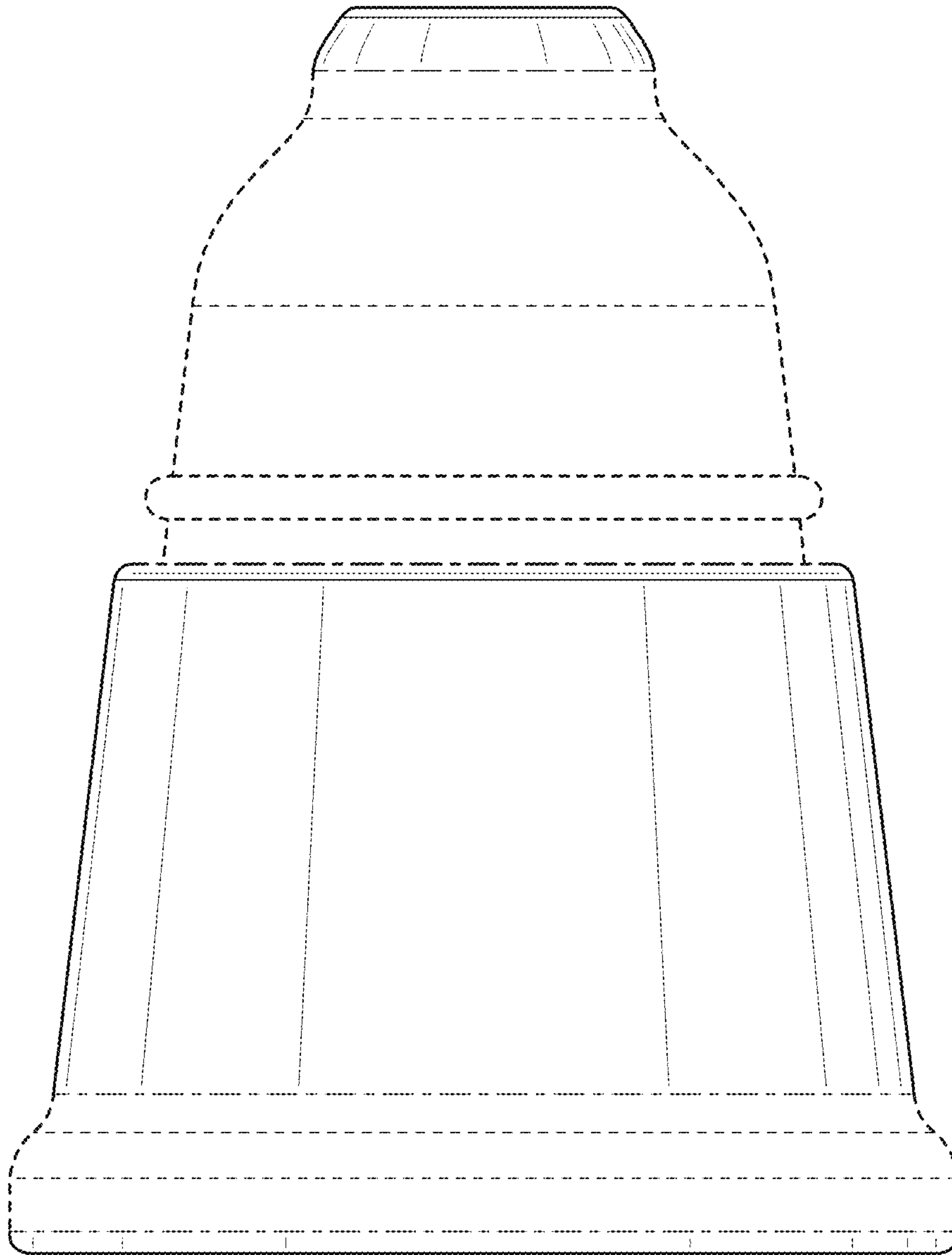


FIG. 3

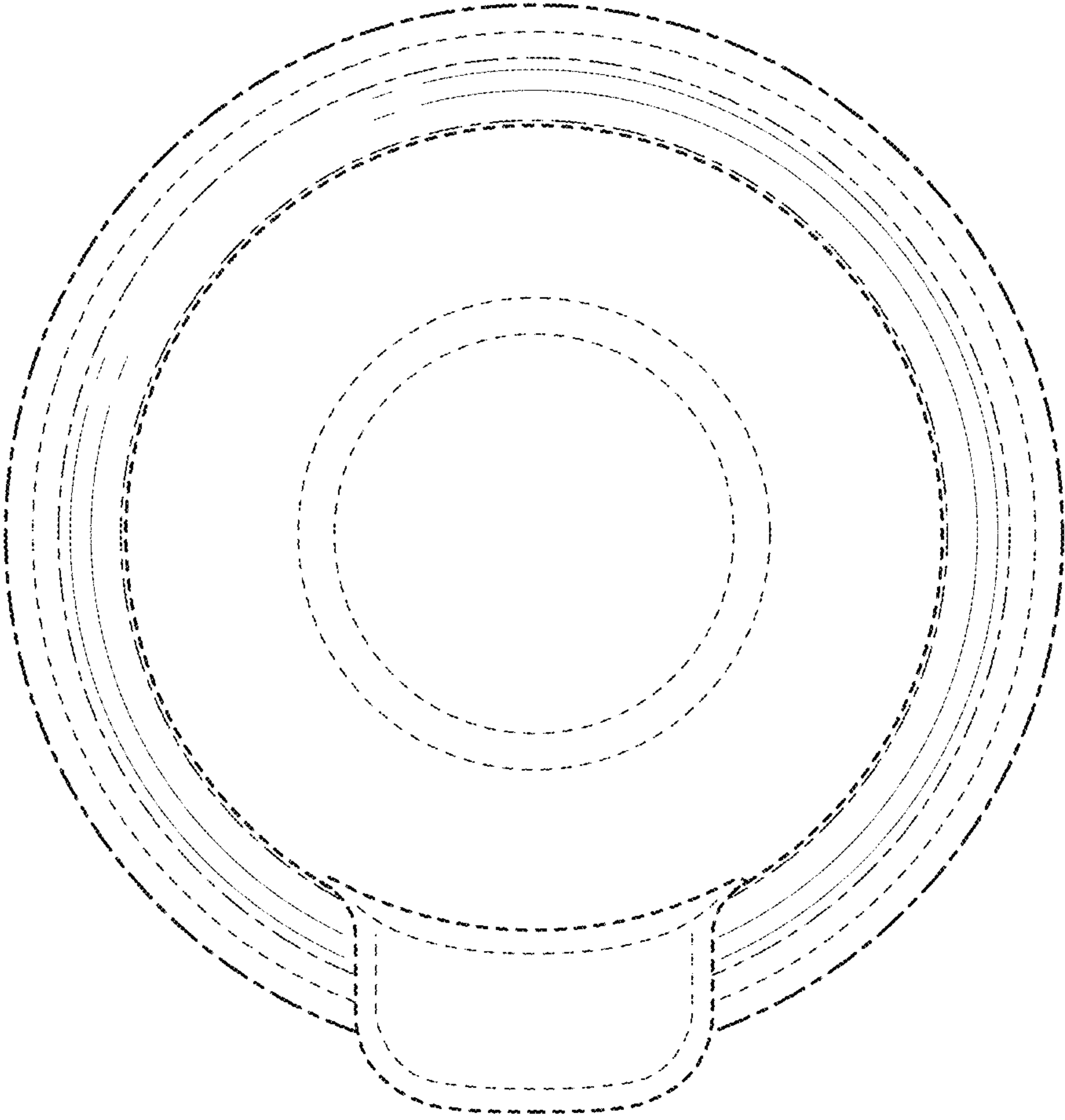


FIG. 4

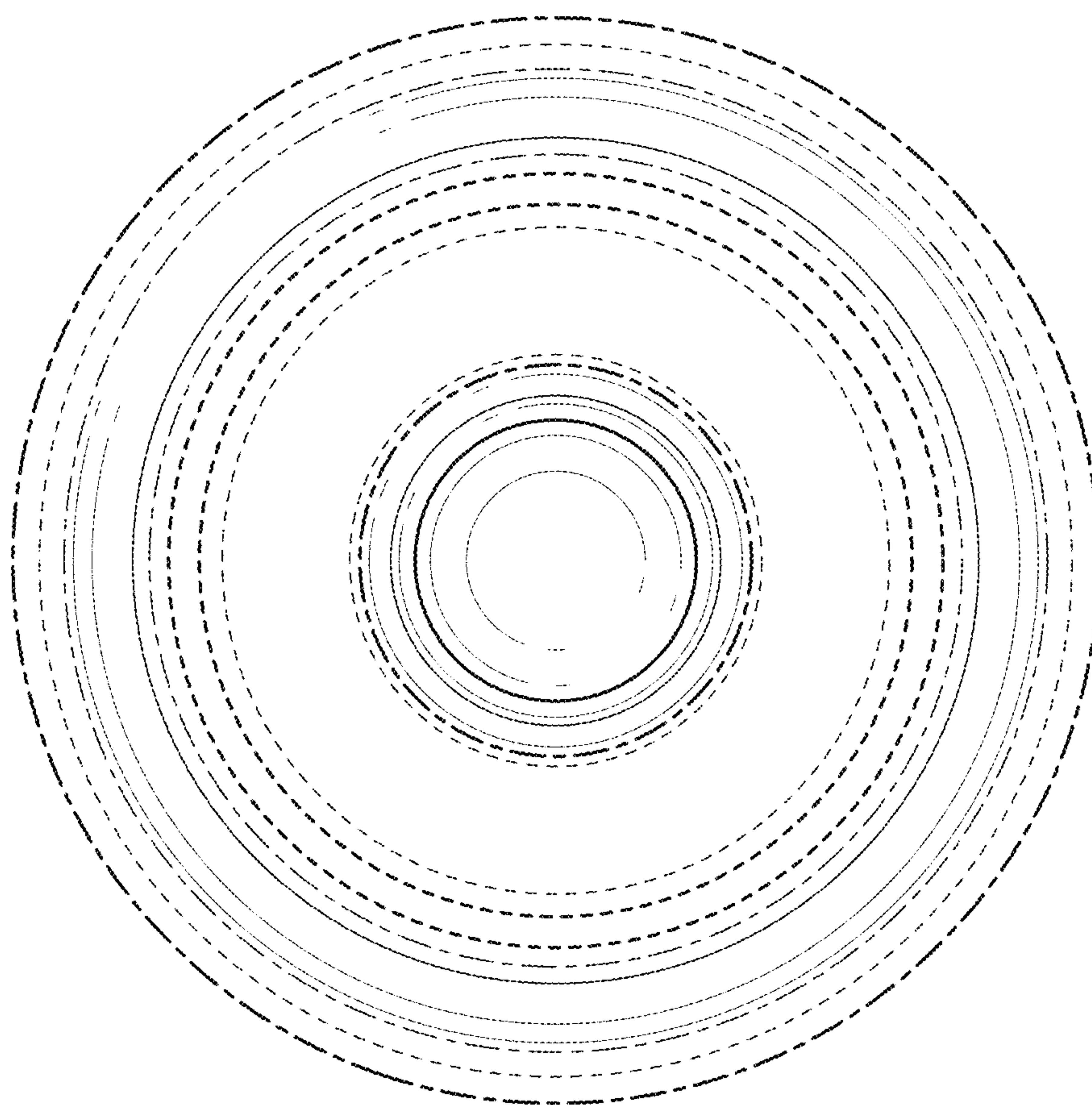


FIG. 5

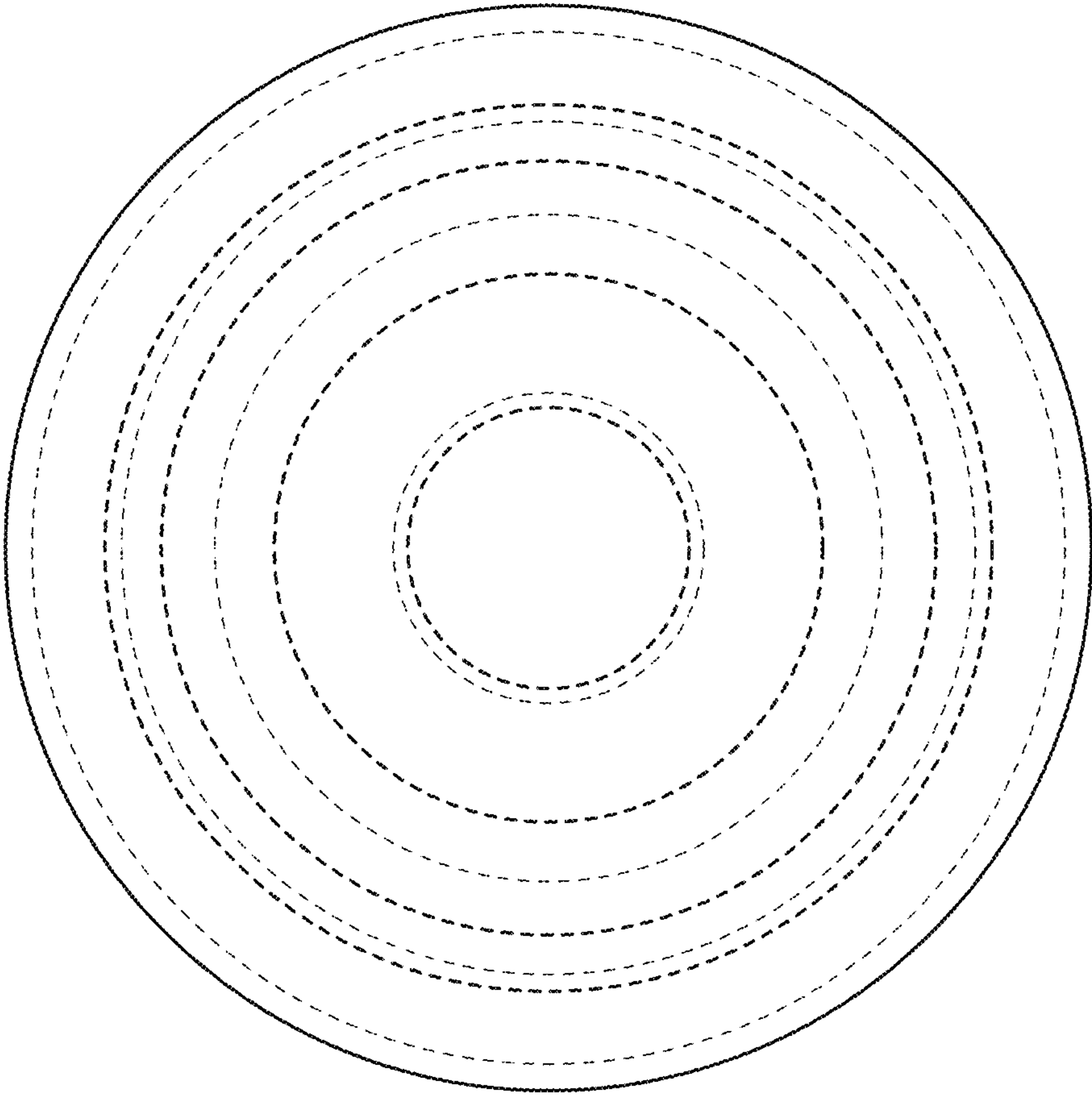


FIG. 6



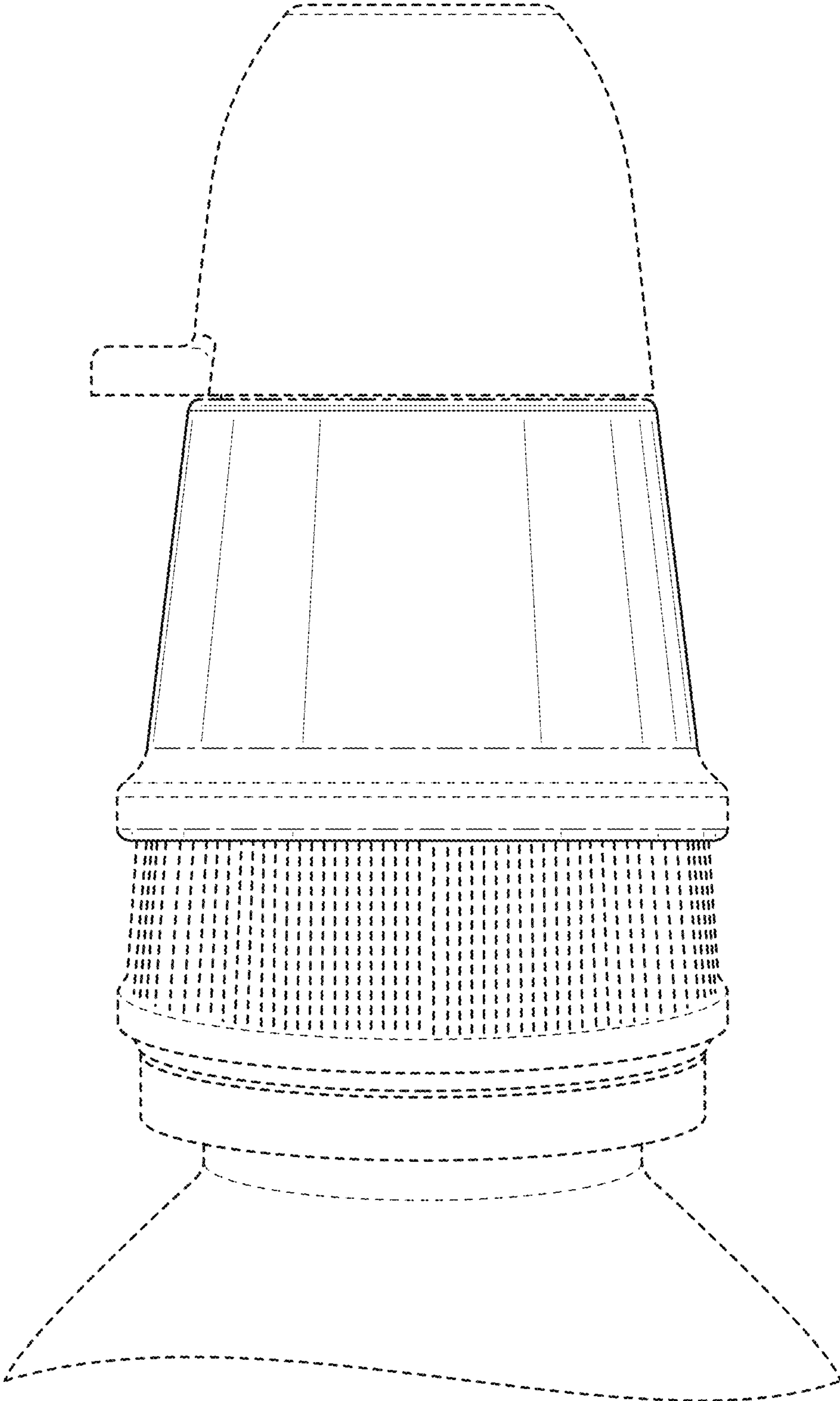


FIG. 7

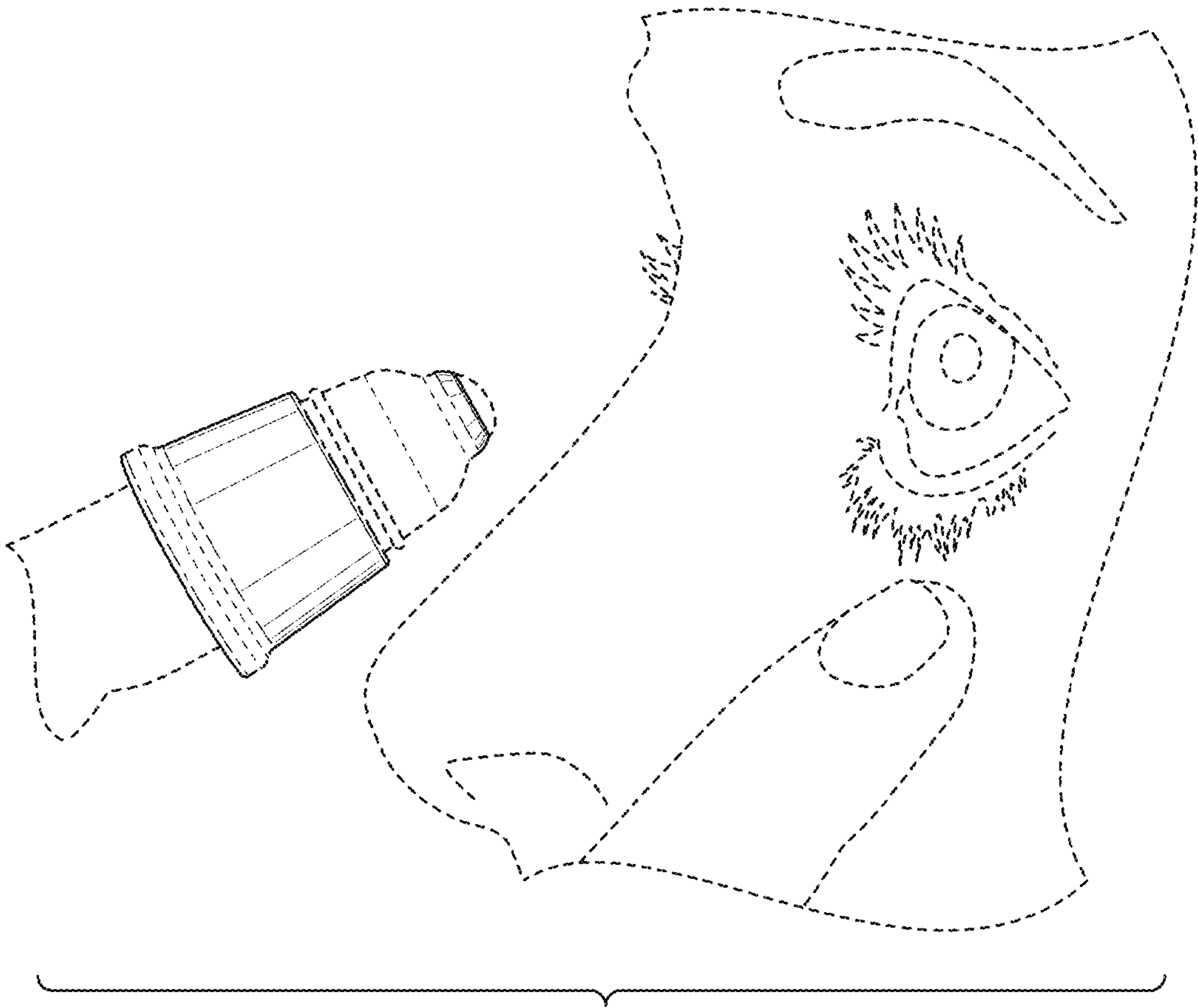


FIG. 8

UNITED STATES PATENT AND TRADEMARK OFFICE  
**CERTIFICATE OF CORRECTION**

PATENT NO. : D771,802 S  
APPLICATION NO. : 29/564315  
DATED : November 15, 2016  
INVENTOR(S) : Julius Shulman et al.

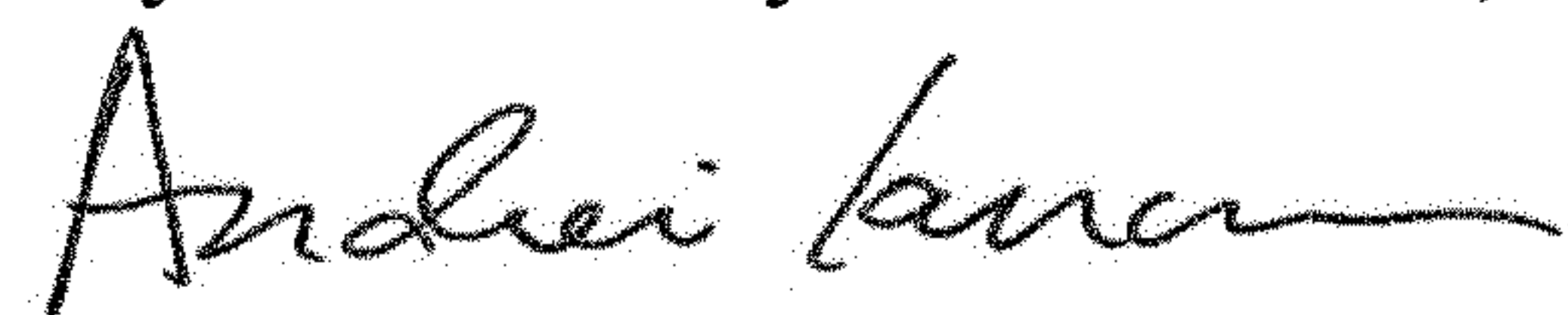
Page 1 of 1

It is certified that error appears in the above-identified patent and that said Letters Patent is hereby corrected as shown below:

On the Title Page

Item (72) Inventors: Add -- Emily Ruth Moyer, Brooklyn, New York (US) --

Signed and Sealed this  
Twenty-seventh Day of November, 2018



Andrei Iancu  
*Director of the United States Patent and Trademark Office*