



US00D771801S

(12) **United States Design Patent**  
**Gray**

(10) **Patent No.:** **US D771,801 S**

(45) **Date of Patent:** **\*\* Nov. 15, 2016**

(54) **RESPIRATION AND HYDRATION MASK**

(71) Applicant: **Matthew P. Gray**, Topeka, KS (US)

(72) Inventor: **Matthew P. Gray**, Topeka, KS (US)

(\*\*) Term: **15 Years**

(21) Appl. No.: **29/540,592**

(22) Filed: **Sep. 25, 2015**

**Related U.S. Application Data**

(63) Continuation-in-part of application No. 14/100,072, filed on Dec. 9, 2013, now abandoned.

(51) **LOC (10) Cl.** ..... **29-02**

(52) **U.S. Cl.**  
USPC ..... **D24/110.1**; D24/108

(58) **Field of Classification Search**  
USPC ..... D24/107-108, 110-114, 127, 162, 164,  
D24/185-186  
CPC .... A62B 18/086; A62B 18/00; A62B 18/08;  
A62B 7/00; A61M 15/00  
See application file for complete search history.

(56) **References Cited**

**U.S. PATENT DOCUMENTS**

- 1,366,437 A \* 1/1921 Wagenhorst ..... A62B 18/086  
128/202.15
- 3,645,261 A \* 2/1972 West ..... A62B 18/086  
128/201.19
- 3,731,717 A \* 5/1973 Potash ..... A62B 18/086  
141/349
- 4,505,310 A \* 3/1985 Schneider ..... A62B 18/086  
128/206.22

- 4,712,594 A \* 12/1987 Schneider ..... A62B 18/086  
128/206.22
- 4,823,785 A \* 4/1989 Mancosu ..... A62B 18/086  
128/202.15
- 4,971,048 A \* 11/1990 Seekins ..... A47G 21/18  
128/200.24
- 6,758,213 B1 \* 7/2004 Brekken ..... B63C 11/02  
128/201.26
- 7,073,688 B2 \* 7/2006 Choi ..... F16L 37/0841  
141/379
- 7,810,493 B2 \* 10/2010 Resnick ..... A45F 3/16  
128/201.28
- 7,856,976 B2 \* 12/2010 Mueller ..... A62B 18/086  
128/201.22
- 2005/0051235 A1 \* 3/2005 Kline ..... A62B 18/086  
141/351

\* cited by examiner

*Primary Examiner* — Barbara Fox

*Assistant Examiner* — Lilyana Bekic

(74) *Attorney, Agent, or Firm* — Dale J. Ream

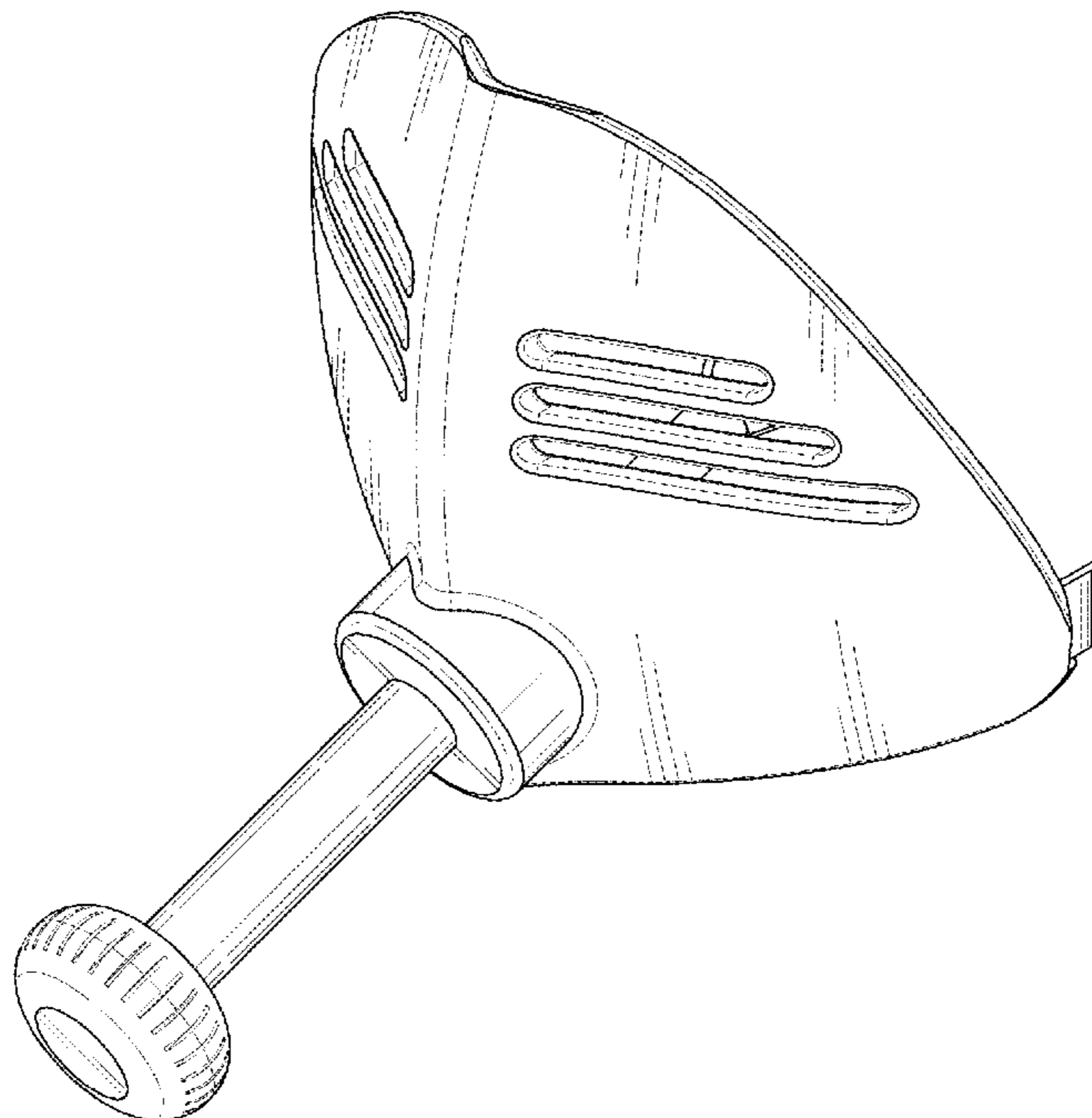
(57) **CLAIM**

The ornamental design for a respiration and hydration mask, as shown and described.

**DESCRIPTION**

FIG. 1 is a perspective view of a respiration and hydration mask showing my new design;  
FIG. 2 is a front view thereof;  
FIG. 3 is a back view thereof;  
FIG. 4 is a left side view thereof;  
FIG. 5 is a right side view thereof;  
FIG. 6 is a top view thereof; and,  
FIG. 7 is a bottom view thereof.

**1 Claim, 4 Drawing Sheets**



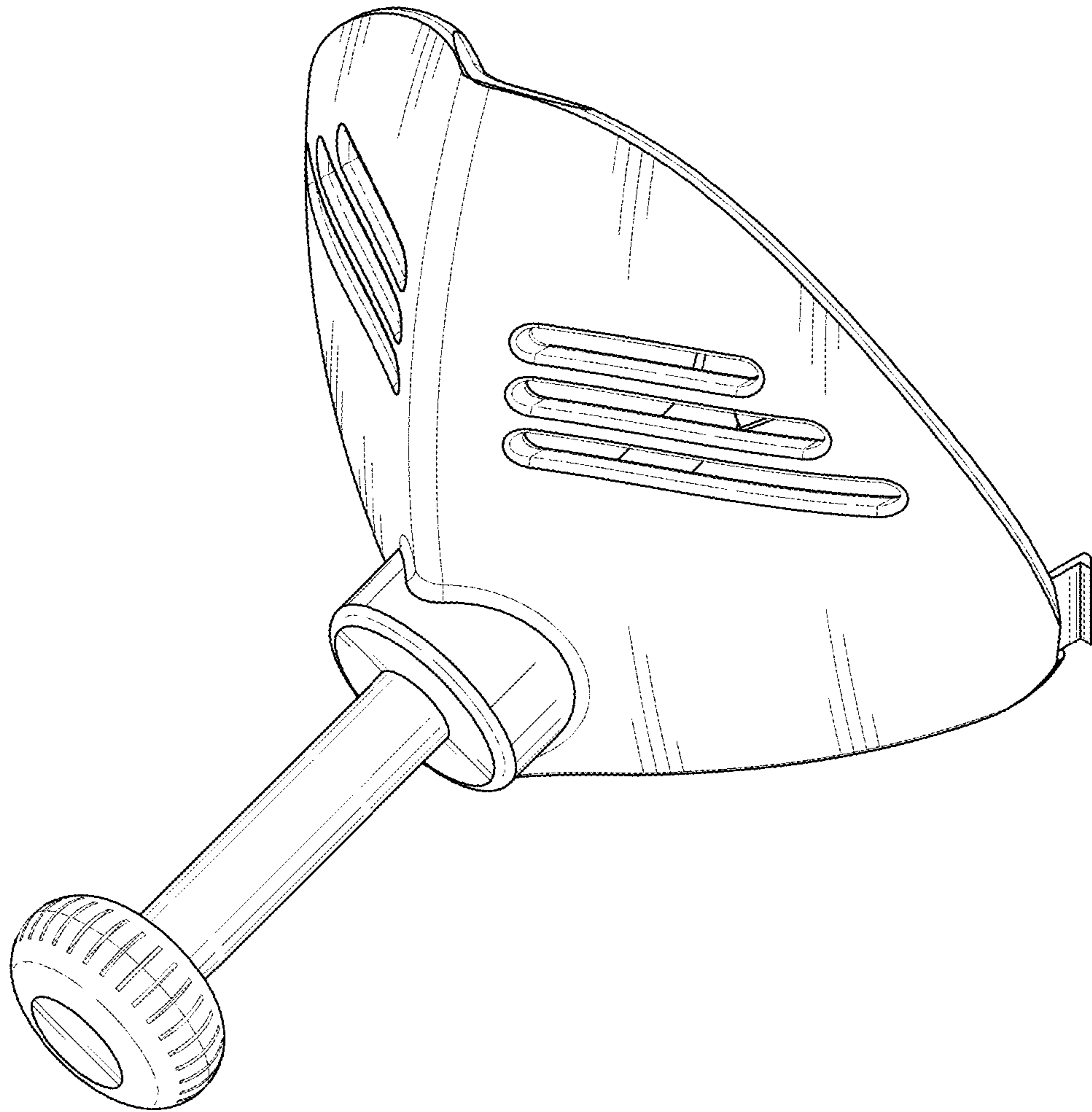


FIG. 1

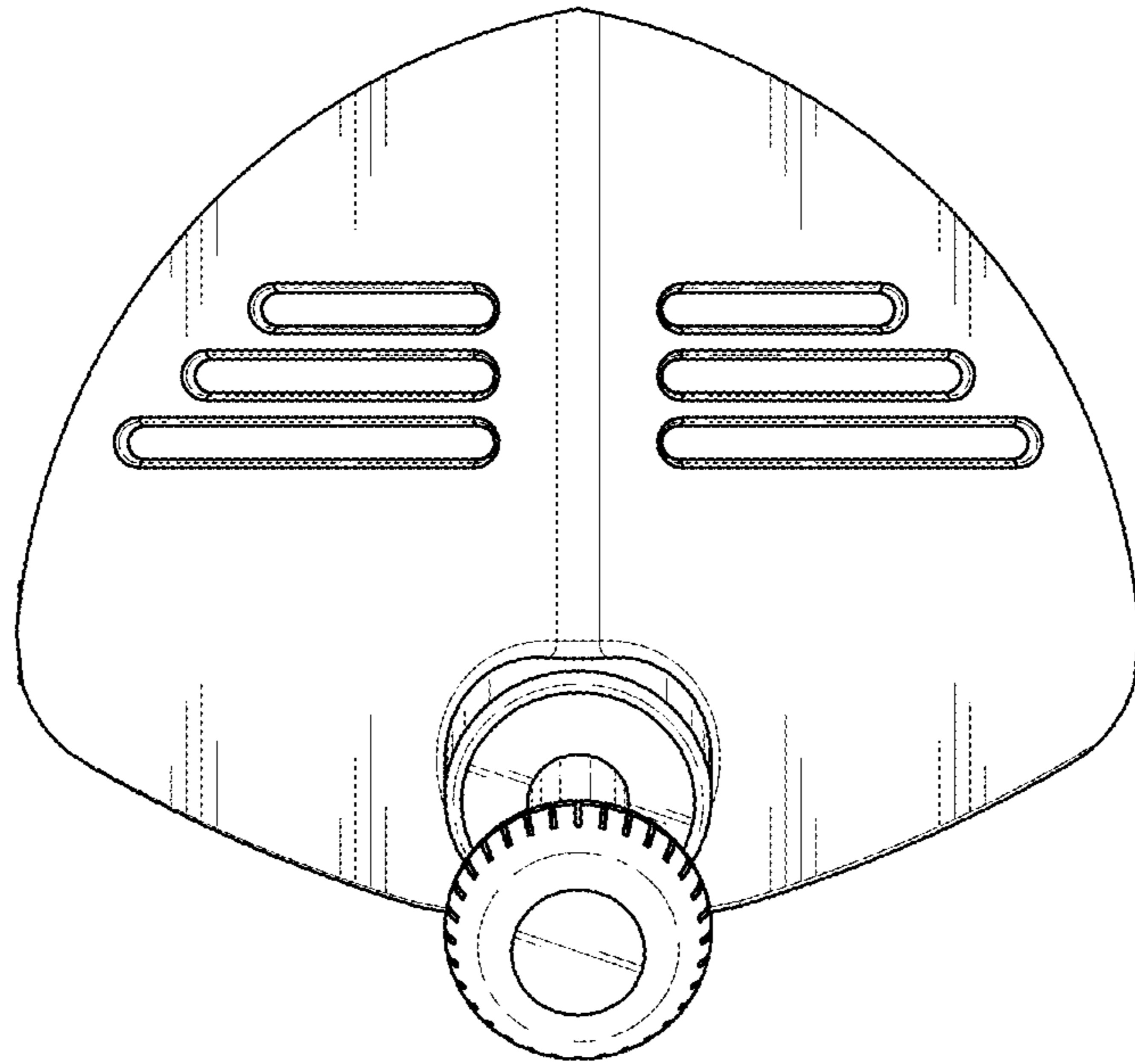


FIG. 2

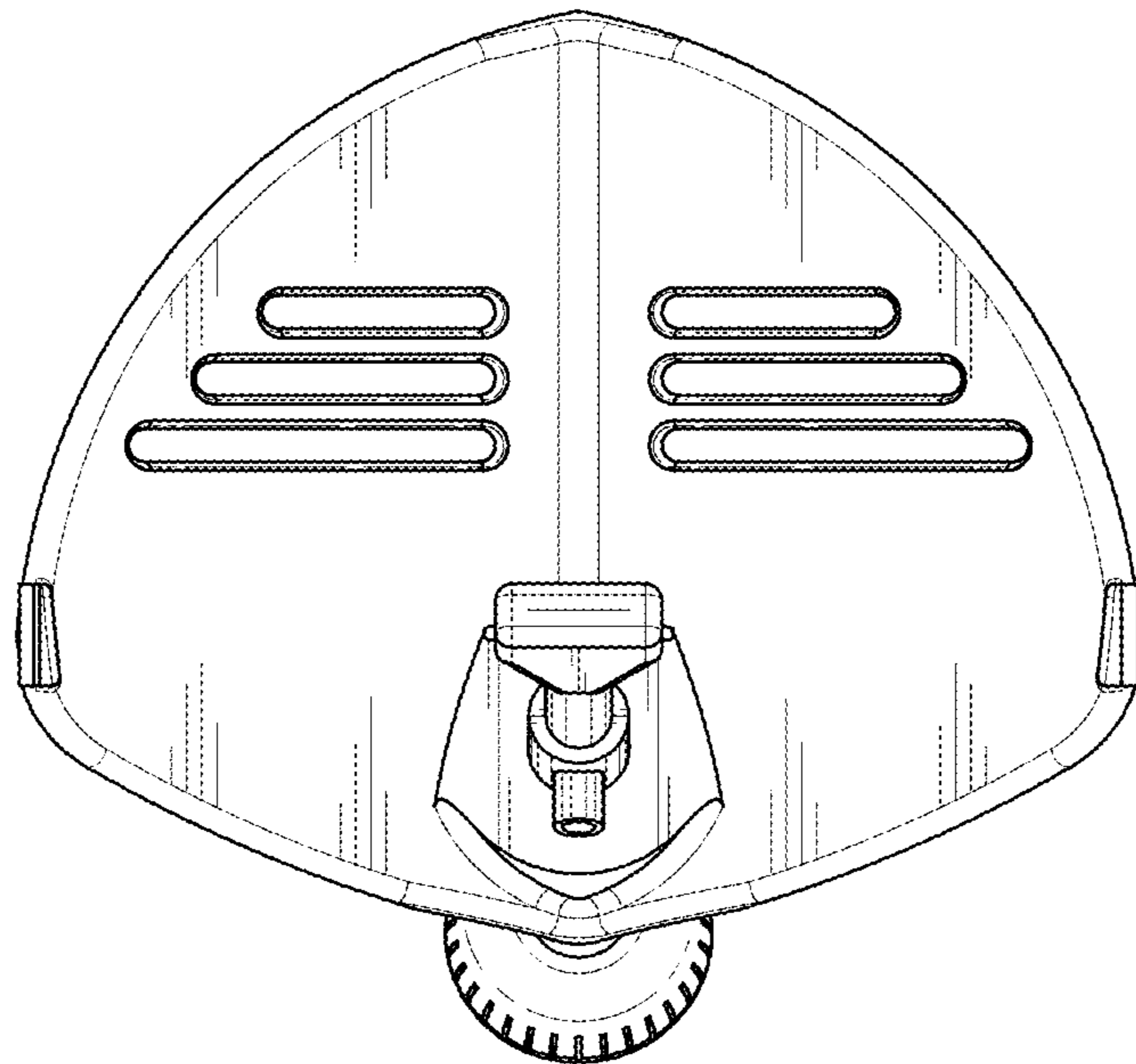


FIG. 3

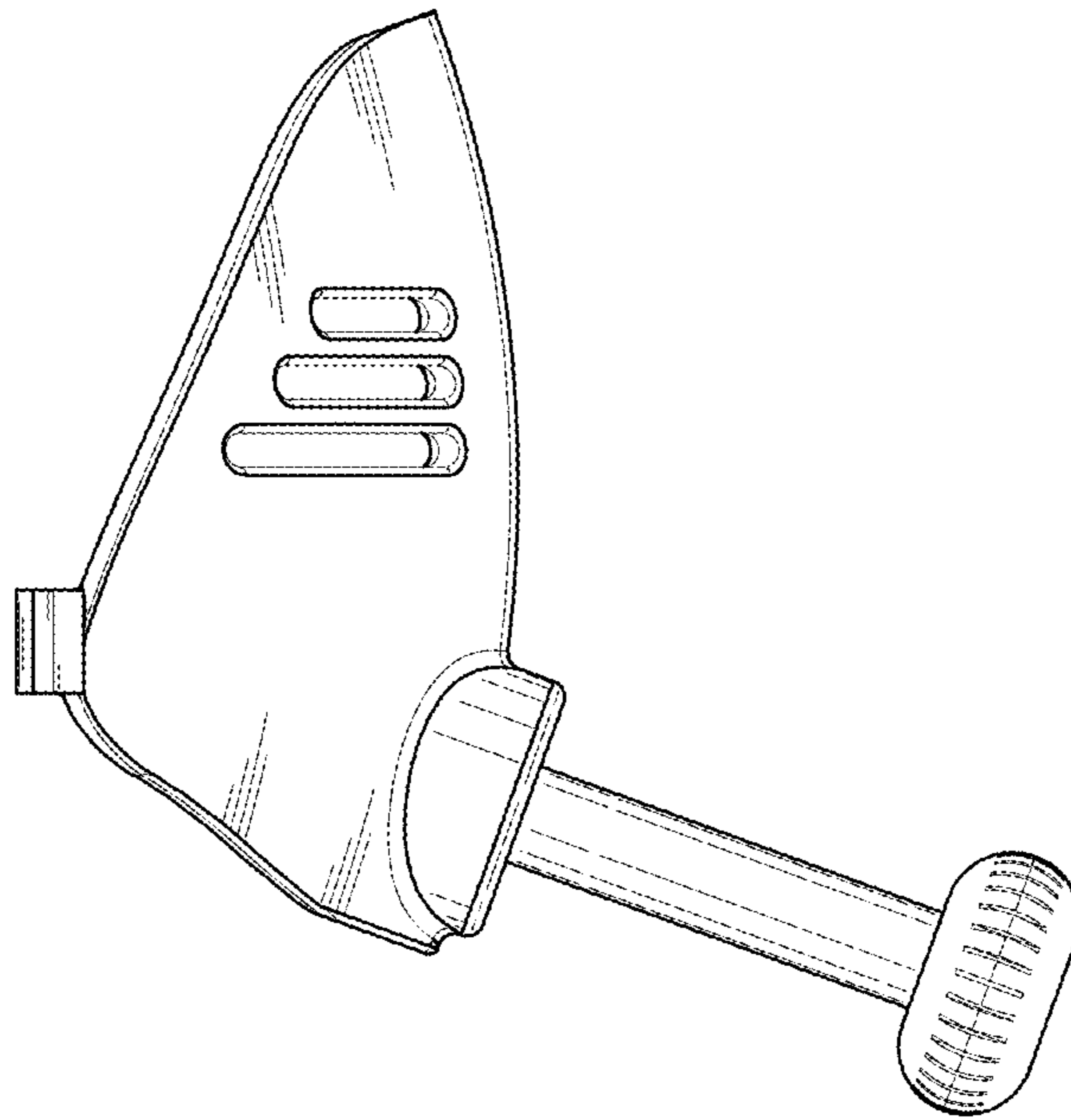


FIG. 4

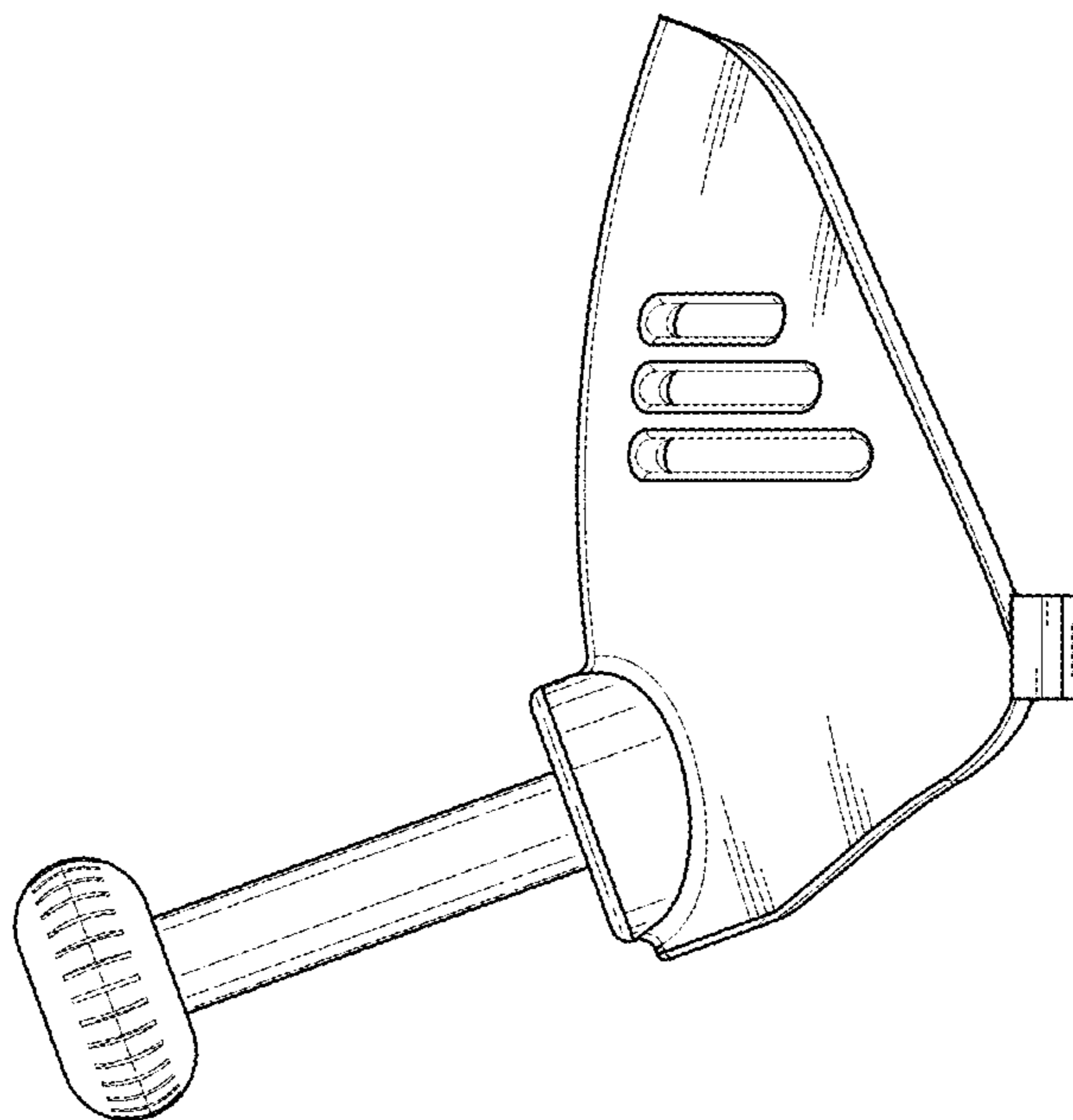


FIG. 5

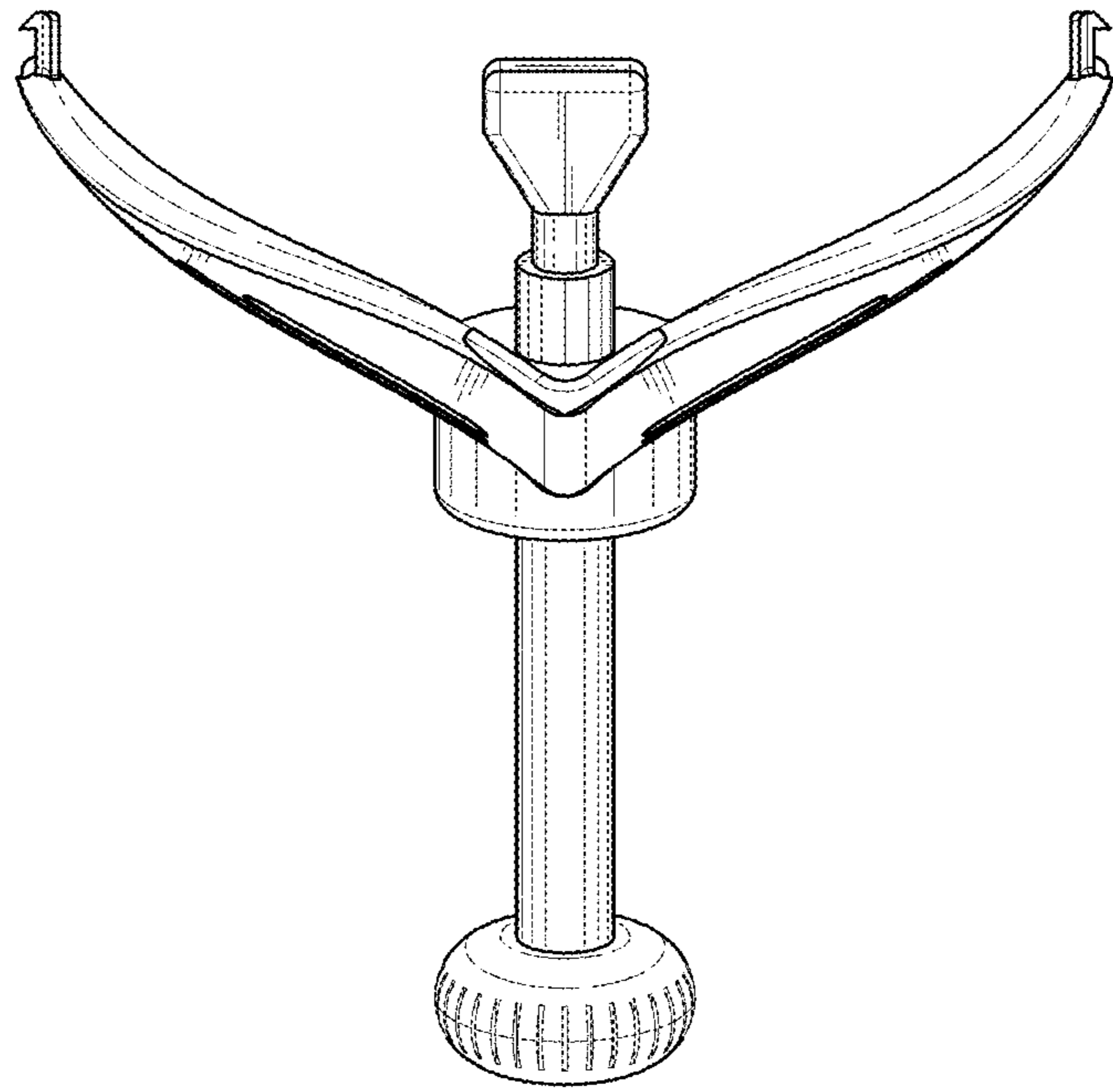


FIG. 6

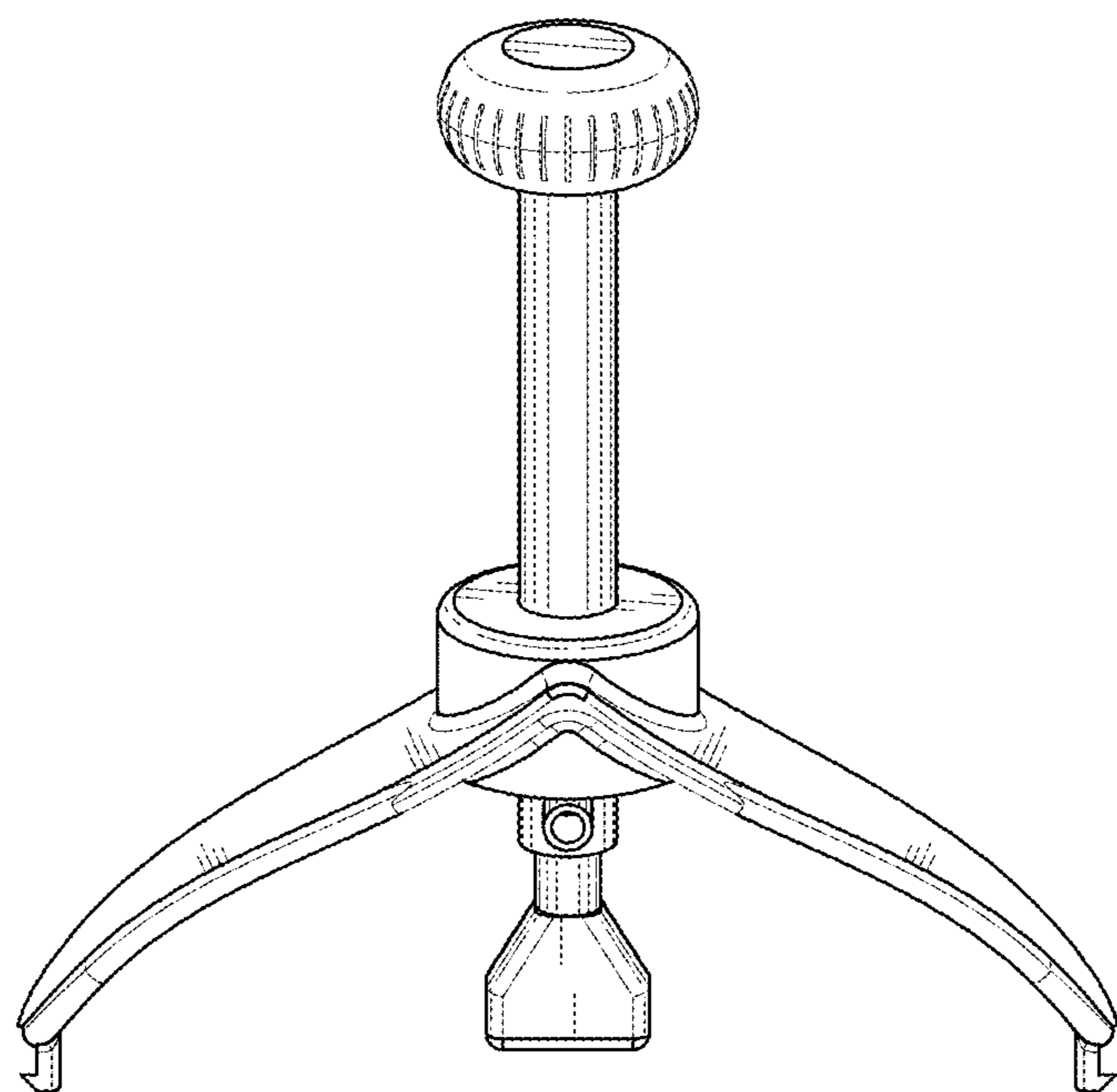


FIG. 7