



US00D771800S

(12) **United States Design Patent** (10) **Patent No.:** **US D771,800 S**
Engelhard et al. (45) **Date of Patent:** **** Nov. 15, 2016**

(54) **INHALER CAP** 6,202,642 B1 * 3/2001 McKinnon A61M 15/009
128/200.14
(71) Applicant: **Gecko Health Innovations, Inc.**, 7,004,164 B2 * 2/2006 Scarrott A61M 15/009
Cambridge, MA (US) 116/307
7,100,530 B2 * 9/2006 Lu A61M 15/009
116/284
(72) Inventors: **Yeziel Engelhard**, Boston, MA (US); 7,621,273 B2 * 11/2009 Morton A61M 15/0065
Mark Maalouf, Cambridge, MA (US) 128/200.14
(73) Assignee: **Gecko Health Innovations, Inc.**, 8,082,873 B2 * 12/2011 Nuttall A61M 15/009
Cambridge, MA (US) 116/285
D660,410 S * 5/2012 Zuyderhoudt D24/110
(Continued)

(**) Term: **14 Years**
(21) Appl. No.: **29/526,378**
(22) Filed: **May 8, 2015**

Related U.S. Application Data

(63) Continuation-in-part of application No. 14/470,240,
filed on Aug. 27, 2014, now Pat. No. 9,035,765.
(60) Provisional application No. 61/871,001, filed on Aug.
28, 2013, provisional application No. 61/871,056,
filed on Aug. 29, 2013.
(51) **LOC (10) Cl.** **29-02**
(52) **U.S. Cl.**
USPC **D24/110; D24/127**
(58) **Field of Classification Search**
USPC D24/107, 108, 110, 111, 127, 164
CPC A61M 15/00; A61M 15/0065; A61M
15/0091; A61M 15/0021; A61M 15/0026;
A61M 11/00; A61M 11/02; A61M 11/04
See application file for complete search history.

References Cited

U.S. PATENT DOCUMENTS

D334,057 S * 3/1993 Byram D24/110
5,505,192 A * 4/1996 Samiotes A61M 15/008
128/200.14
5,544,647 A * 8/1996 Jewett A61M 15/009
128/200.23
D416,998 S * 11/1999 Hodson D24/110
6,082,358 A * 7/2000 Scarrott A61M 15/0065
128/200.14

OTHER PUBLICATIONS

Jonah Comstock, "Asthmapolis, now Propeller, moves beyond
asthma", <http://mobihealthnews.com/25255/asthmapolis-now-propeller-moves-asthma> Published Sep. 10, 2013, accessed Jul. 26,
2016, 3 page.

(Continued)

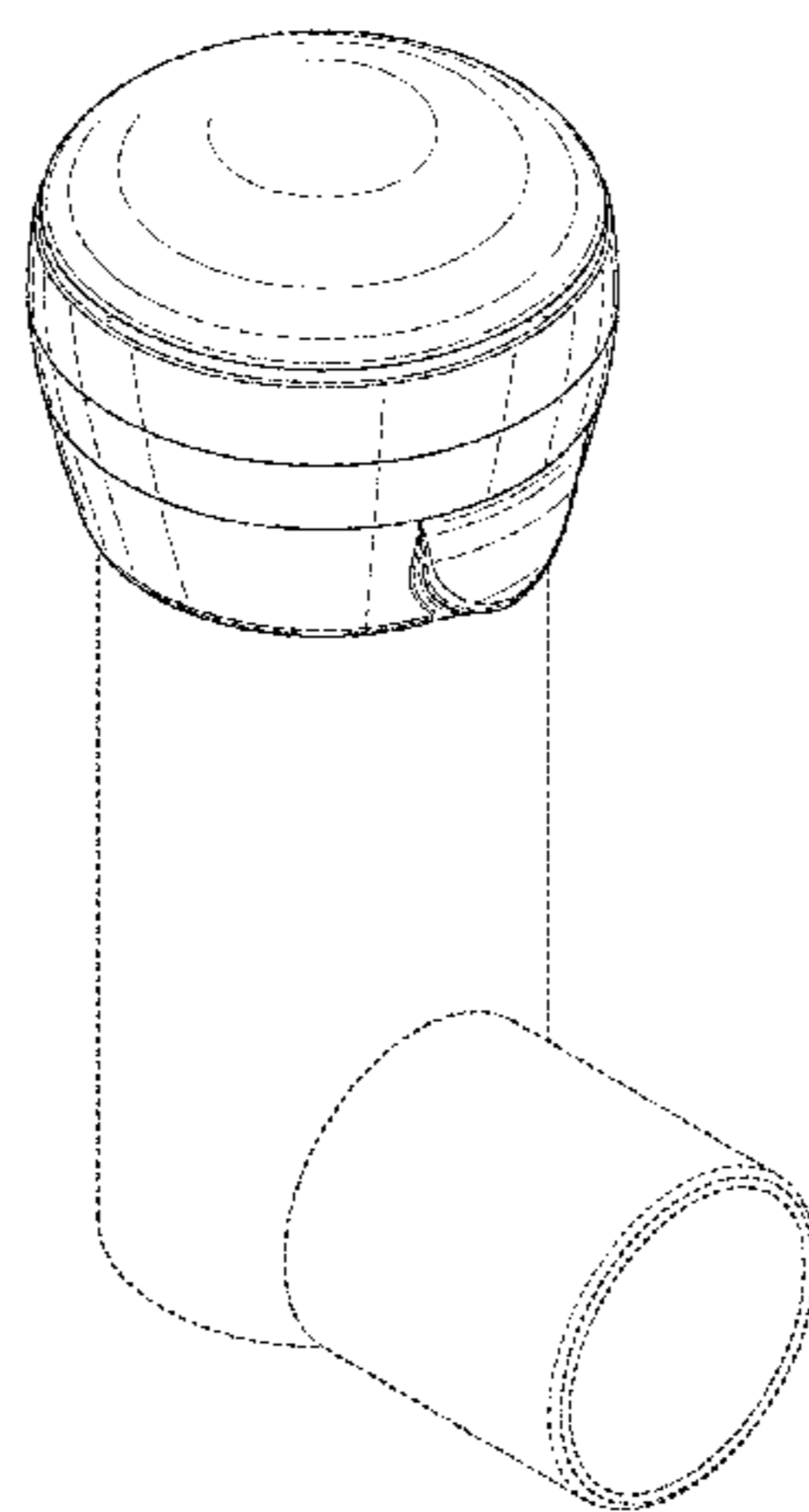
Primary Examiner — Barbara Fox
Assistant Examiner — Lilyana Bekic
(74) *Attorney, Agent, or Firm* — Condo Roccia Koptiw
LLP

(57) **CLAIM**
The ornamental design for an inhaler cap, as shown and
described.

DESCRIPTION

FIG. 1 is a top front perspective view of an inhaler cap
attached to an inhaler, showing my new design;
FIG. 2 is a bottom front perspective view of the inhaler cap
shown in FIG. 1, with the inhaler removed;
FIG. 3 is a back side plan view of the inhaler cap shown in
FIG. 1,
FIG. 4 is a top view of the inhaler cap of FIG. 1; and,
FIG. 5 is a bottom view of the inhaler cap of FIG. 1.
The broken lines illustrating the inhaler in FIG. 1 illustrates
the environment and forms no part of the claimed design. All
other broken lines in the drawings illustrate portions of the
inhaler cap that form no part of the claimed design.

1 Claim, 5 Drawing Sheets



(56)

References Cited

U.S. PATENT DOCUMENTS

D660,411 S * 5/2012 Zuyderhoudt D24/110
 D660,956 S * 5/2012 Zuyderhoudt D24/110
 8,181,591 B1 * 5/2012 Gulka A61M 15/009
 116/285
 8,517,019 B2 * 8/2013 Brewer A61M 15/0065
 128/200.23
 8,539,945 B2 * 9/2013 Solomon A61M 15/009
 116/203
 8,960,189 B2 * 2/2015 Morrison A61M 15/009
 128/200.23
 9,202,164 B2 * 12/2015 Sieffert A61M 15/009
 2002/0139812 A1 * 10/2002 Scarrott A61M 15/0065
 221/265
 2002/0153005 A1 * 10/2002 Scarrott A61M 15/009
 128/200.14
 2003/0178020 A1 * 9/2003 Scarrott A61M 15/009
 128/200.23
 2004/0149773 A1 * 8/2004 Ouyang A61M 15/009
 222/36
 2004/0221840 A1 * 11/2004 Stockman-Lamb .. A61J 7/0472
 128/200.23
 2005/0011515 A1 * 1/2005 Lee A61M 15/009
 128/200.23
 2005/0087191 A1 * 4/2005 Morton A61M 15/0065
 128/205.23

2006/0150971 A1 * 7/2006 Lee A61M 15/009
 128/203.15
 2006/0213506 A1 * 9/2006 Hodson A61M 15/009
 128/200.14
 2006/0254581 A1 * 11/2006 Genova A61M 15/0065
 128/200.23
 2007/0295329 A1 * 12/2007 Lieberman A61M 15/009
 128/200.23
 2008/0251551 A1 * 10/2008 Huber A61M 15/009
 224/197
 2009/0194104 A1 8/2009 Van Sickle
 2015/0061867 A1 * 3/2015 Engelhard G06Q 50/24
 340/539.18
 2015/0100335 A1 * 4/2015 Englehard G06F 19/3462
 705/2
 2015/0112707 A1 * 4/2015 Manice G09B 19/00
 705/2
 2015/0235548 A1 * 8/2015 Engelhard G08B 21/24
 222/1

OTHER PUBLICATIONS

Josh Buesseler, "Propeller Health Inhaler Sensor, Asthma Event Data Sensor", <https://www.behance.net/gallery/14490057/Propelier-Health-Inhaler-Sensor> Published Feb. 12, 2014, accessed Jul. 26, 2016, 6 pages.

* cited by examiner

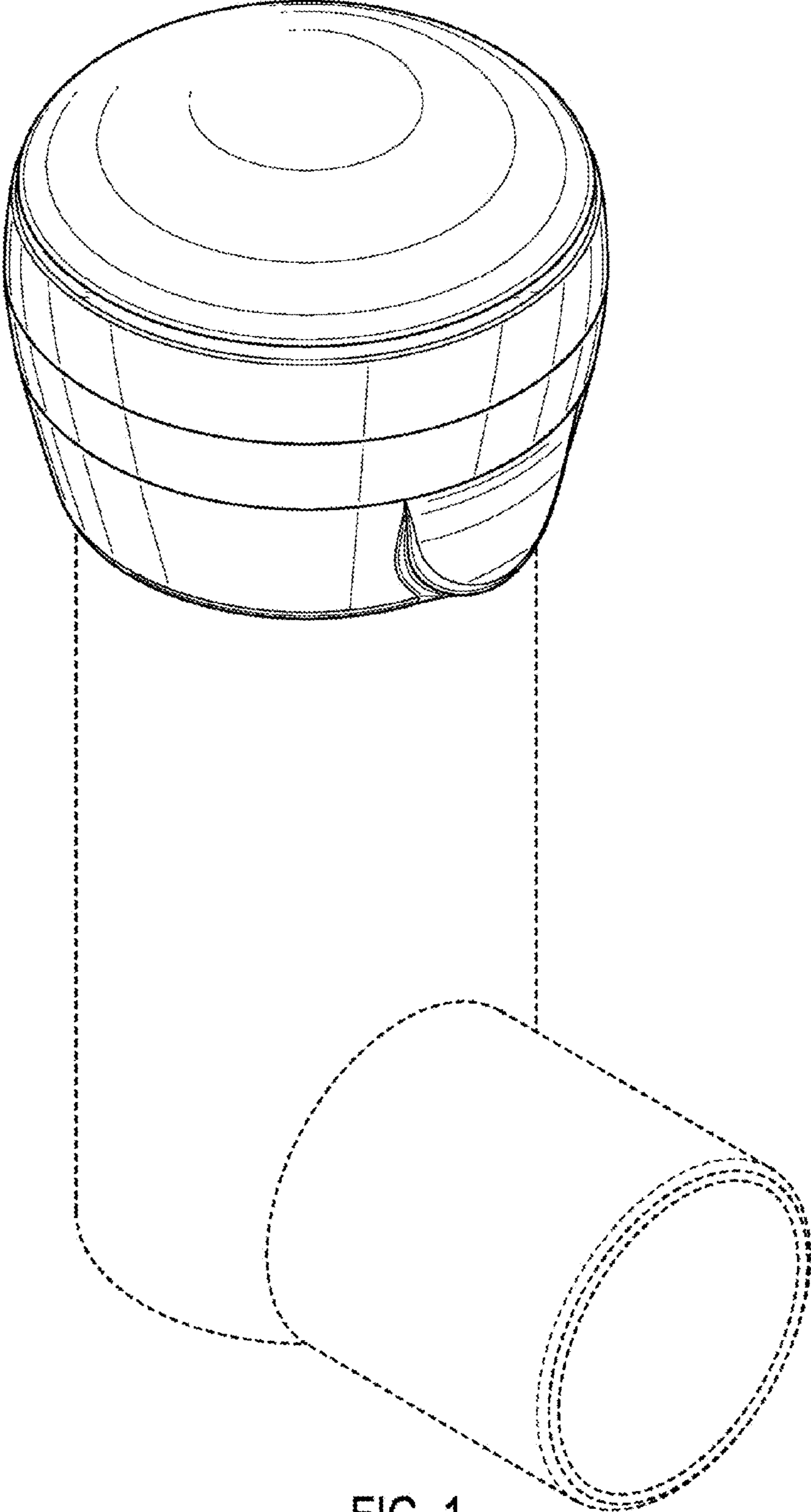


FIG. 1

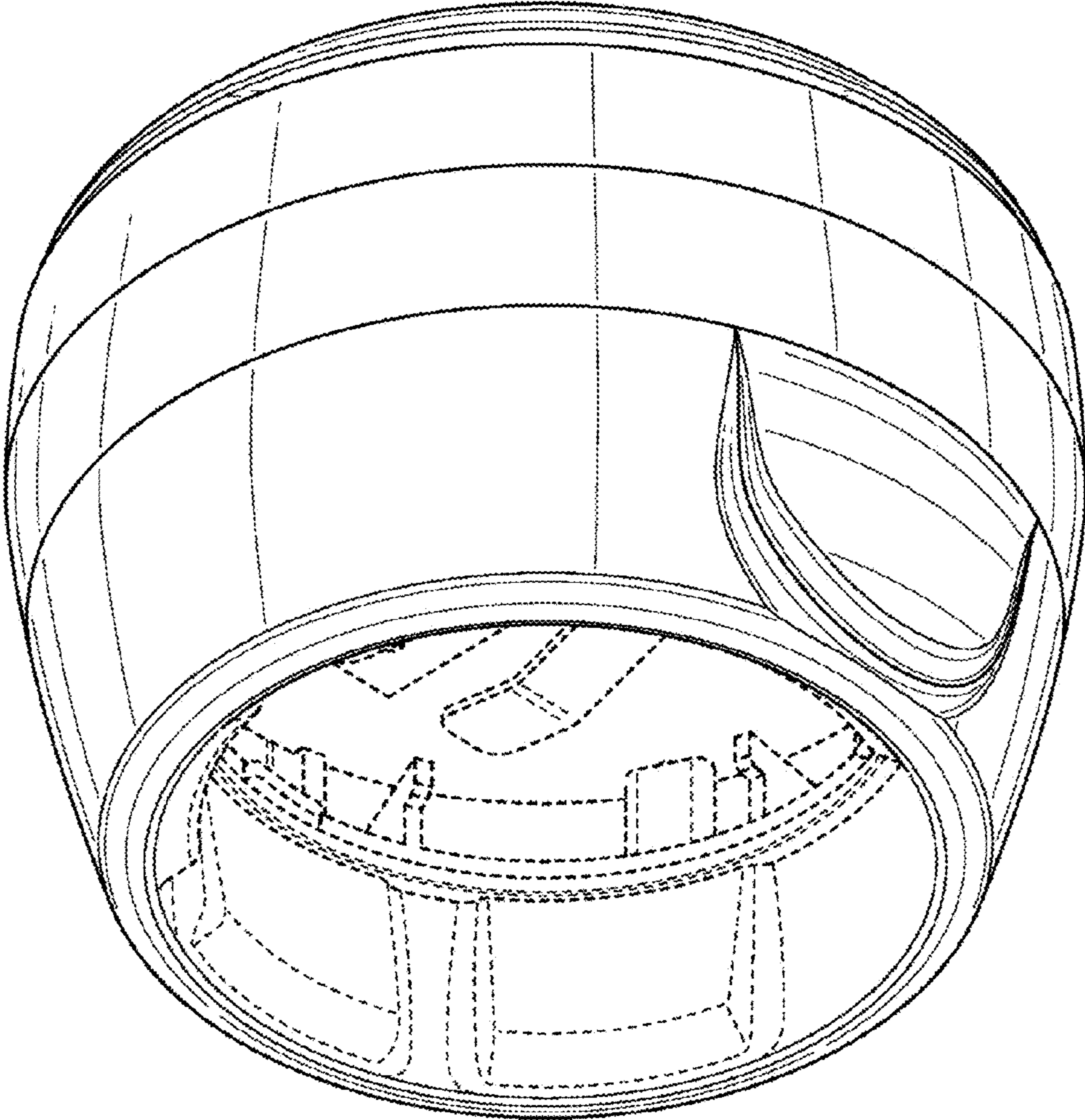


FIG. 2

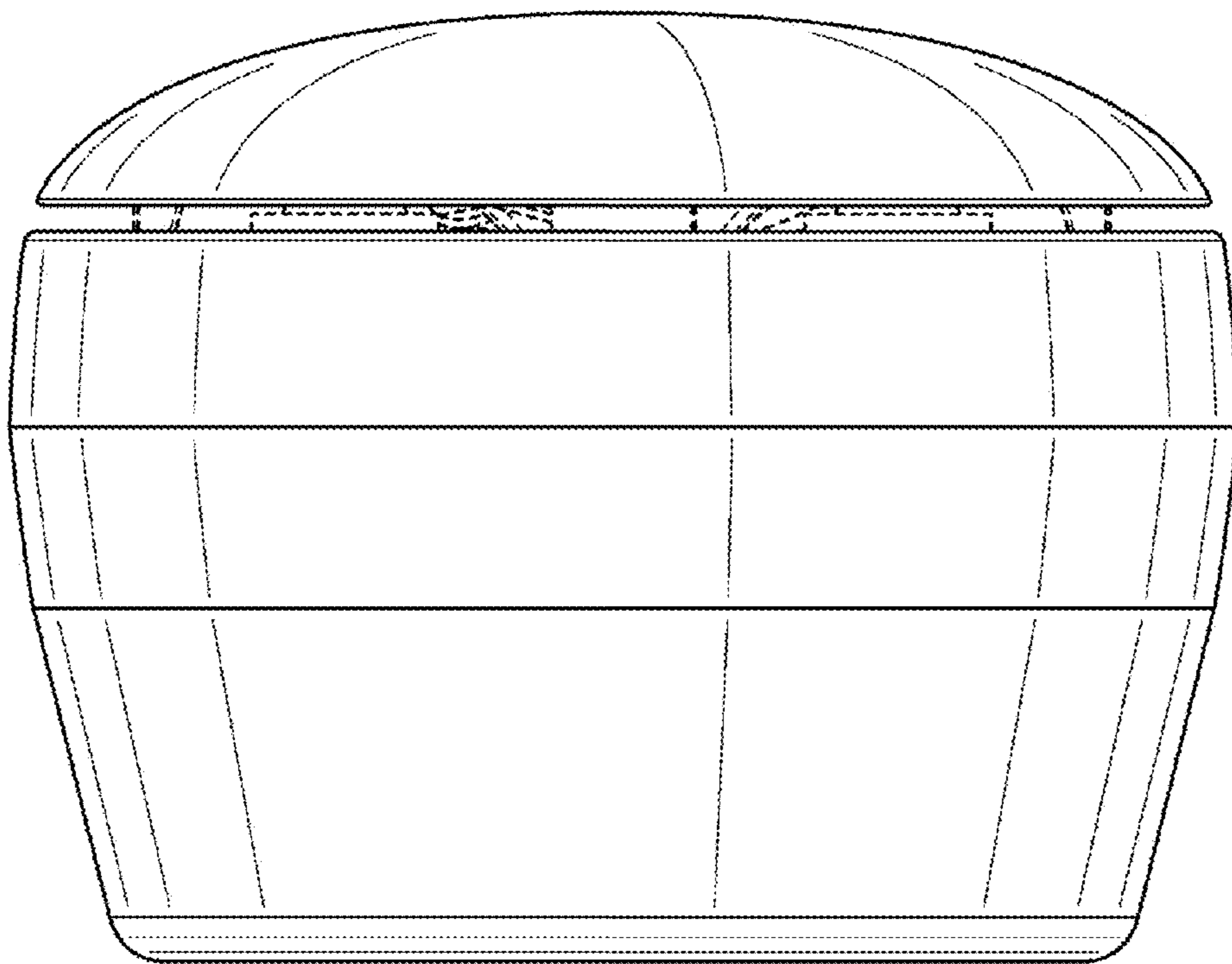


FIG. 3

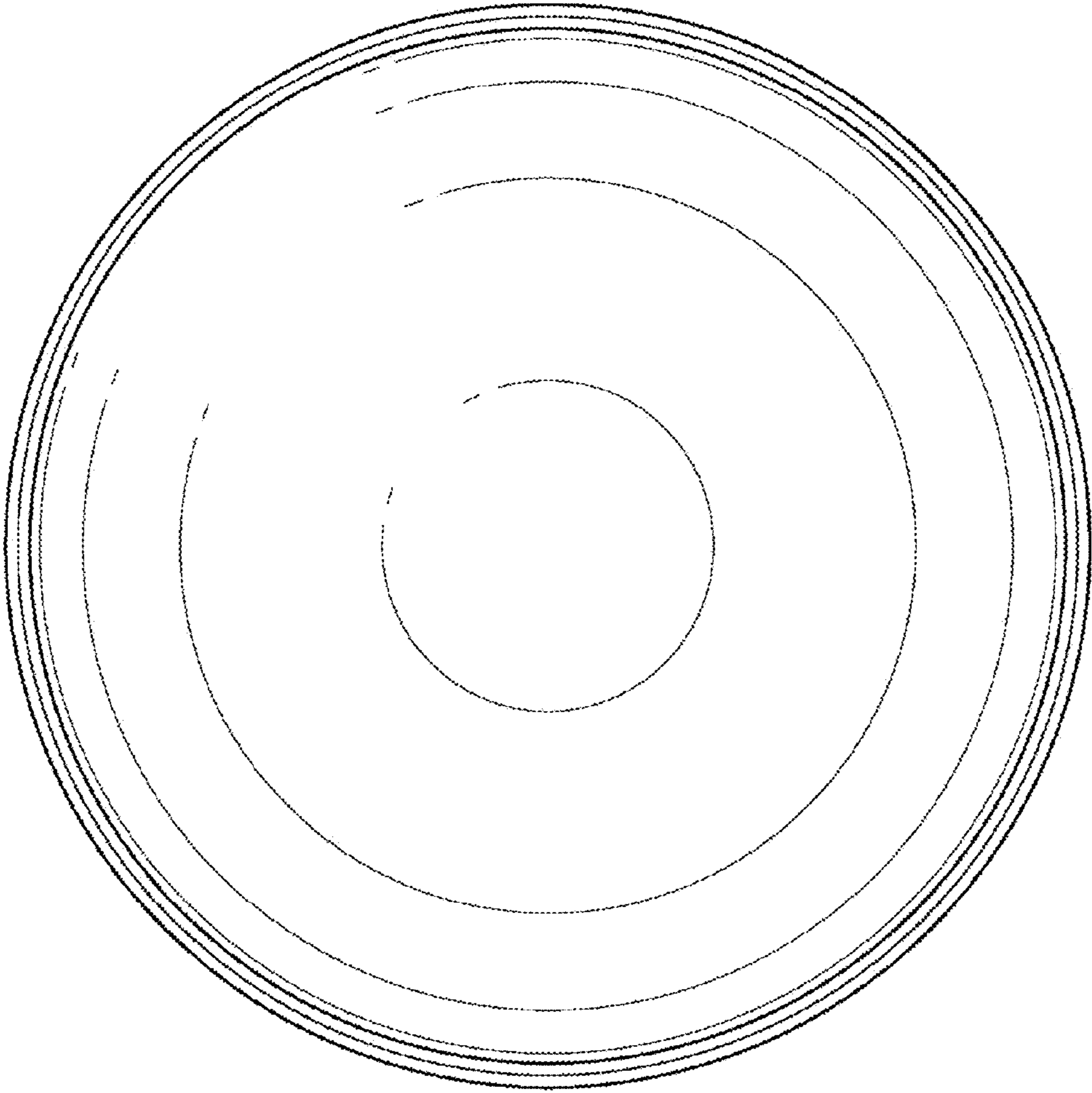


FIG. 4

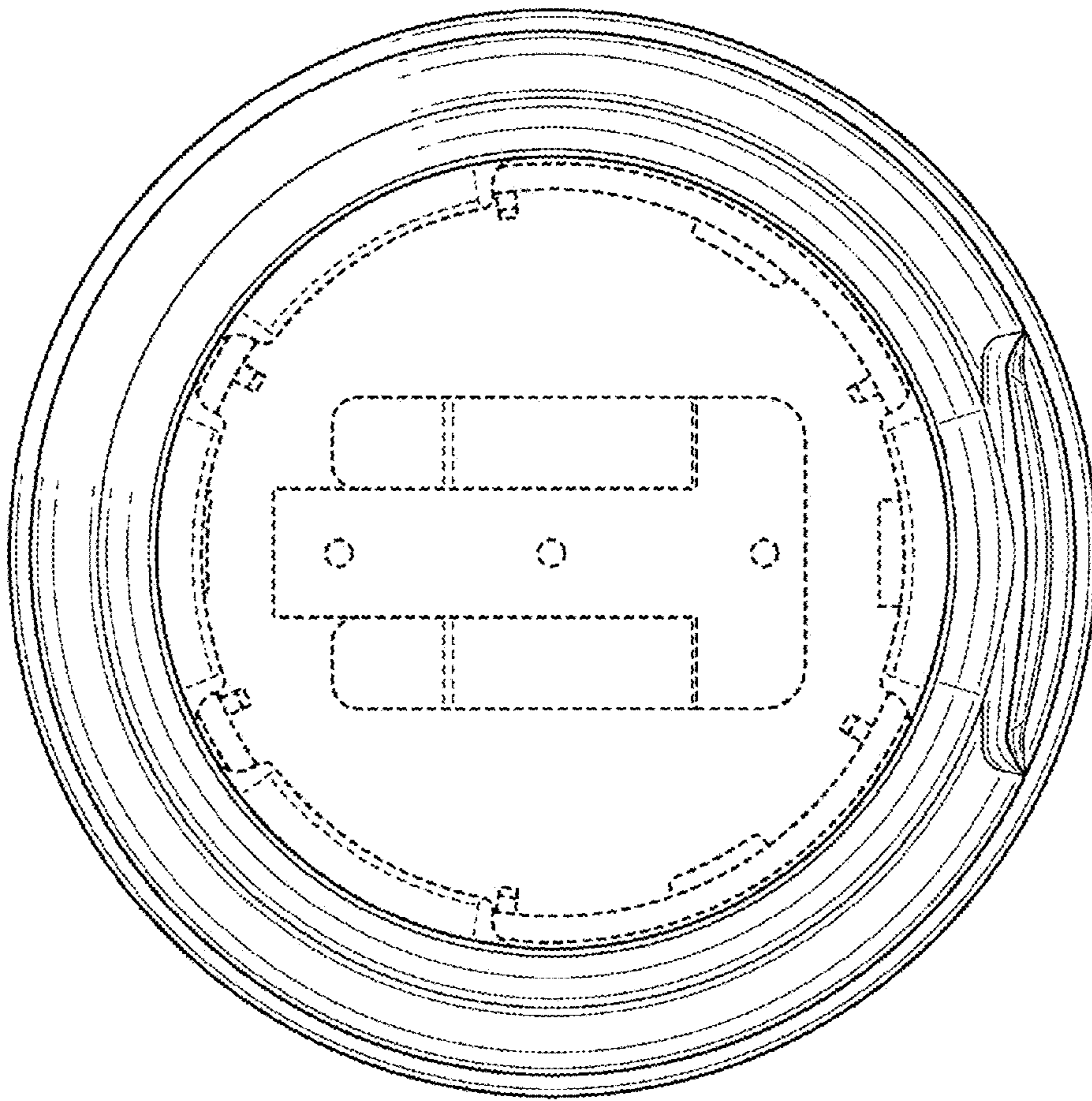


FIG. 5

UNITED STATES PATENT AND TRADEMARK OFFICE
CERTIFICATE OF CORRECTION

PATENT NO. : D771,800 S
APPLICATION NO. : 29/526378
DATED : November 15, 2016
INVENTOR(S) : Yechiel Engelhard et al.

Page 1 of 1

It is certified that error appears in the above-identified patent and that said Letters Patent is hereby corrected as shown below:

On the Title Page

Item (60) under Related U.S. Application Data should appear as follows:

“Provisional Application No. 61/871,001, filed on Aug. 28, 2013, Provisional Application No. 61/871,056 filed on August 28, 2013.”

Signed and Sealed this
Twenty-eighth Day of February, 2017



Michelle K. Lee
Director of the United States Patent and Trademark Office