



US00D771799S

(12) **United States Design Patent** (10) **Patent No.:** **US D771,799 S**
Formica et al. (45) **Date of Patent:** **** Nov. 15, 2016**

(54) **POSITIVE AIRWAY PRESSURE DELIVERY CONSOLE**

3,163,707 A 12/1964 Darling
D217,550 S 5/1970 Campbell
D280,765 S 9/1985 Alvino
D302,040 S 7/1989 Lambert

(71) Applicant: **ResMed Limited**, Bella Vista, New South Wales (AU)

(Continued)

(72) Inventors: **Justin John Formica**, Sydney (AU); **Mark Bertinetti**, Sydney (AU); **Henri Spaile**, Sydney (AU); **Justin Peter Wagemakers**, Sydney (AU)

FOREIGN PATENT DOCUMENTS

EM 001312953-0001 3/2012
EM 001312953-0002 3/2012

(Continued)

(73) Assignee: **ResMed Limited**, Bella Vista (AU)

OTHER PUBLICATIONS

(**) Term: **14 Years**

U.S. Appl. No. 61/838,971, filed Jun. 2013, Huby et al.
U.S. Appl. No. 61/987,245, filed May 2014, Foote et al.
U.S. Appl. No. 29/456,477, filed May 2013, Formica et al.
U.S. Appl. No. 29/482,519, filed Feb. 2014, Bath et al.
U.S. Appl. No. 29/502,152, filed Sep. 2014, Bertinetti et al.
U.S. Appl. No. 29/480,971, filed Jan. 2014, Desvoyes et al.
U.S. Appl. No. 29/482,541, filed Feb. 2014, Verma et al.
U.S. Appl. No. 29/485,313, filed Mar. 2014, Formica et al.

(Continued)

(21) Appl. No.: **29/515,282**

(22) Filed: **Jan. 21, 2015**

Related U.S. Application Data

(62) Division of application No. 29/456,458, filed on May 31, 2013.

(51) **LOC (10) Cl.** **29-02**

(52) **U.S. Cl.**
USPC **D24/110**

(58) **Field of Classification Search**
USPC D24/110, 164; D23/356, 358;
128/200.16, 200.18, 200.23, 200.24,
128/200.22, 202.27, 204.14, 204.18,
128/204.23, 203.16, 203.17, 203.27
CPC B01D 24/00; B01D 53/22; B01D 53/30;
A61M 16/00; A61M 16/16; A61M 2205/14;
A61M 2205/50; A61M 2205/502; A61M
2205/52; A61M 2205/6063; A61M 2205/42;
A62B 9/003; B29L 2031/753
See application file for complete search history.

Primary Examiner — Wan Laymon

Assistant Examiner — Mark Booker

(74) *Attorney, Agent, or Firm* — Nixon & Vanderhye P.C.

(57) **CLAIM**

The ornamental design for a positive airway pressure delivery console, as shown and described.

DESCRIPTION

FIG. 1 is a front perspective view of a positive airway pressure delivery console according to our new ornamental design;

FIG. 2 is front view thereof;

FIG. 3 is a rear view thereof;

FIG. 4 is a top view thereof;

FIG. 5 is a left side view thereof; and,

FIG. 6 is another front perspective view thereof.

The broken lines represent environment or structure and do not form a portion of the claimed design.

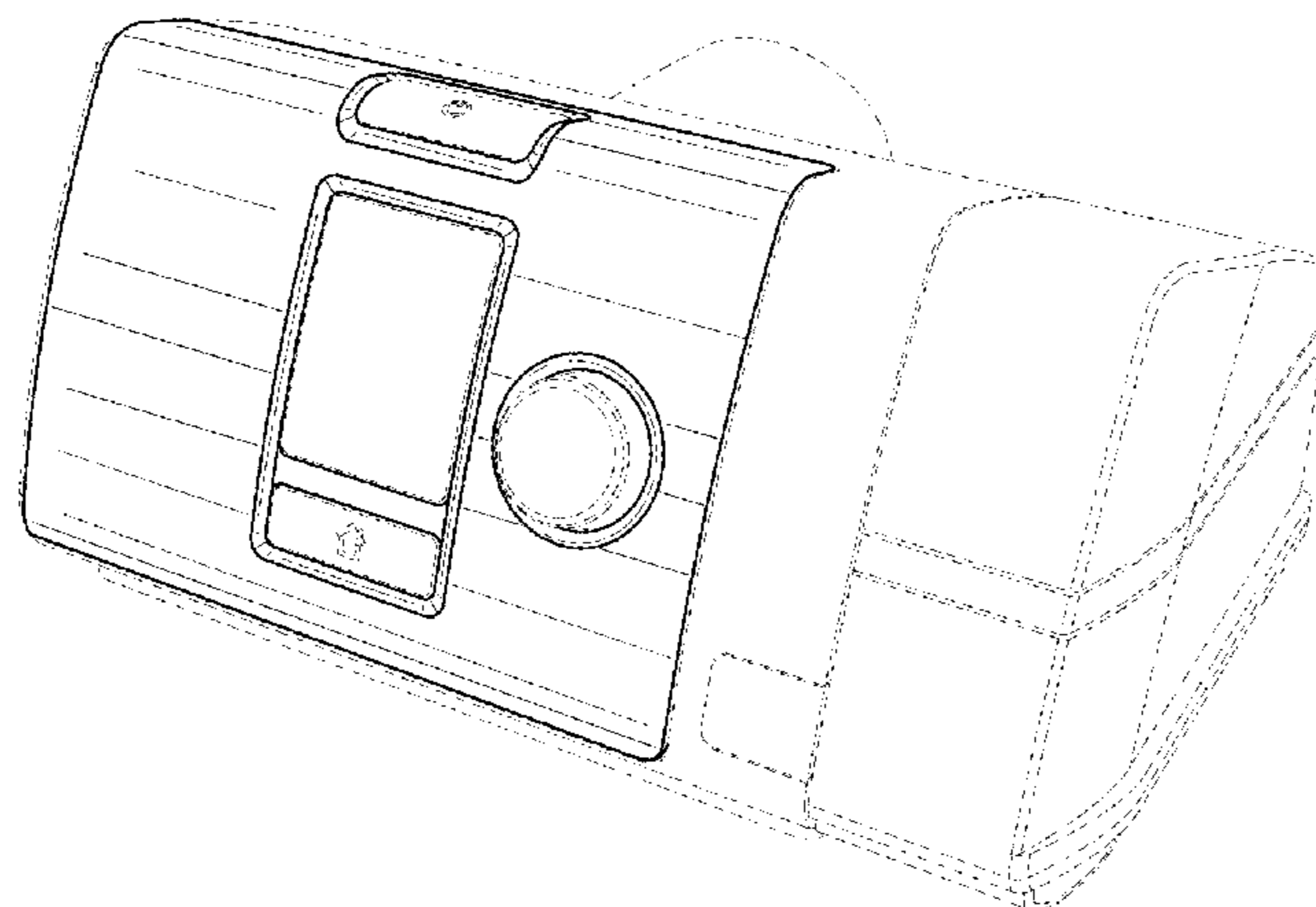
One or more views (e.g., the bottom view) may be omitted and therefore does not form a part of the claimed design.

(56) **References Cited**

U.S. PATENT DOCUMENTS

2,073,335 A 3/1937 Karl
2,516,864 A 8/1950 Gilmore
2,524,522 A 10/1950 Gilmore
2,954,802 A 10/1960 Duff

1 Claim, 4 Drawing Sheets



(56)

References Cited

U.S. PATENT DOCUMENTS

D360,027 S 7/1995 Psaros
 D378,128 S * 2/1997 Rozek D24/110
 D421,298 S 2/2000 Kenyon et al.
 D436,401 S 1/2001 Remes et al.
 D439,326 S 3/2001 Hecker
 D464,724 S * 10/2002 Lynch D24/110
 D467,335 S * 12/2002 Lithgow D24/110
 D473,941 S 4/2003 Cise
 D476,077 S * 6/2003 Lithgow D24/110
 D476,731 S 7/2003 Cise
 D486,909 S 2/2004 Cise
 6,722,904 B2 4/2004 Linhart
 D493,520 S 7/2004 Bertinetti et al.
 D493,884 S 8/2004 Virr et al.
 D497,203 S * 10/2004 Lithgow D24/110
 D500,847 S * 1/2005 Manke D23/356
 D504,945 S * 5/2005 Van Brunt D24/110
 D544,598 S 6/2007 Lithgow et al.
 7,226,302 B2 6/2007 Walter
 7,237,770 B2 7/2007 Lipscombe et al.
 D550,349 S 9/2007 Lithgow et al.
 D560,795 S 1/2008 Lithgow et al.
 D561,881 S * 2/2008 Huang D23/356
 D561,890 S 2/2008 Lithgow et al.
 D561,891 S 2/2008 Lithgow et al.
 D570,473 S 6/2008 Hamaguchi et al.
 D572,355 S * 7/2008 Gao D23/356
 D578,204 S 10/2008 Lithgow et al.
 D580,060 S 11/2008 Adams
 D585,131 S 1/2009 Trevor-Wilson et al.
 D585,540 S 1/2009 Lithgow et al.
 D590,494 S 4/2009 Lithgow et al.
 D592,301 S * 5/2009 Cork D24/110
 D594,102 S * 6/2009 Israel D23/356
 D597,186 S * 7/2009 Campbell D23/356
 D602,585 S 10/2009 Blackwell et al.
 D604,830 S 11/2009 Lithgow et al.
 D606,655 S * 12/2009 Wilkinson D24/164
 D607,107 S * 12/2009 McCombs D24/164
 D609,318 S * 2/2010 Lam D23/356
 D610,250 S * 2/2010 Neuner D24/110
 D611,593 S 3/2010 Lithgow et al.
 D612,480 S 3/2010 Cork et al.
 D614,286 S 4/2010 Lithgow et al.
 D620,102 S * 7/2010 Klien D24/110
 D621,031 S 8/2010 Lithgow et al.
 D627,044 S 11/2010 Virr et al.
 D628,288 S 11/2010 Row et al.
 D629,891 S 12/2010 Virr et al.
 D629,892 S 12/2010 Hill et al.
 D635,244 S 3/2011 Virr et al.
 D635,245 S 3/2011 Virr et al.
 D635,654 S 4/2011 Virr et al.
 D638,536 S 5/2011 Row et al.
 D638,537 S 5/2011 Virr et al.
 D638,933 S 5/2011 Hill et al.
 D643,114 S 8/2011 Virr et al.
 D644,731 S 9/2011 Fangrow, Jr.
 D650,479 S 12/2011 Row et al.
 D652,916 S 1/2012 Row et al.
 D652,917 S 1/2012 Hill et al.
 8,100,127 B2 1/2012 Worley
 D655,813 S 3/2012 Row et al.
 D658,283 S 4/2012 Burz et al.
 D659,235 S 5/2012 Bertinetti et al.
 D671,209 S 11/2012 Row et al.
 D675,730 S * 2/2013 Lithgow D24/110
 8,375,945 B2 * 2/2013 Kepler A61M 16/0051
 128/202.27
 D677,789 S 3/2013 Row et al.
 D680,636 S * 4/2013 Ching D23/356
 D682,406 S * 5/2013 Yeom D23/356
 D685,896 S * 7/2013 Niedermann D23/356
 D693,005 S * 11/2013 Nawata D24/164

D696,393 S * 12/2013 Lu D24/110
 8,631,789 B2 * 1/2014 Virr A61M 16/0816
 128/200.24
 D699,356 S * 2/2014 Patil D24/164
 D702,353 S * 4/2014 Fujimoto D24/164
 D703,311 S * 4/2014 Daly D24/110
 D707,334 S 6/2014 Hernandez
 D707,338 S * 6/2014 Ediger D23/356
 D716,419 S 10/2014 Hernandez
 D716,452 S * 10/2014 Hutchison D24/164
 D719,248 S * 12/2014 Smith, Jr. D23/356
 8,905,031 B2 12/2014 Barlow
 D729,936 S * 5/2015 Reback D24/164
 D735,865 S * 8/2015 Nishimura D24/164
 D736,371 S 8/2015 Row
 D738,488 S * 9/2015 Formica D24/110
 D738,489 S * 9/2015 Formica D24/110
 D741,477 S 10/2015 Rogers
 D742,508 S 11/2015 Row
 D743,556 S * 11/2015 Bath D24/164
 D744,108 S * 11/2015 Verma D24/164
 2006/0106345 A1 5/2006 Flaker et al.
 2007/0169776 A1 7/2007 Kepler et al.
 2007/0277828 A1 12/2007 Ho
 2009/0025724 A1 1/2009 Herron, Jr.
 2009/0123886 A1 5/2009 Vaska
 2009/0223514 A1 9/2009 Smith et al.
 2010/0116272 A1 5/2010 Row et al.
 2010/0307502 A1 12/2010 Rummery
 2011/0017212 A1 1/2011 Kenyon et al.
 2011/0023874 A1 2/2011 Bath
 2011/0100363 A1 5/2011 Barclay et al.
 2011/0155132 A1 6/2011 Virr et al.
 2011/0180068 A1 7/2011 Kenyon et al.
 2012/0227738 A1 9/2012 Virr
 2012/0285454 A1 11/2012 Nibu et al.
 2012/0304994 A1 * 12/2012 Kwok A61M 16/0816
 128/204.21
 2013/0280055 A1 10/2013 Daly et al.
 2015/0283350 A1 10/2015 Miller
 2015/0306326 A1 10/2015 Graham
 2015/0306332 A1 10/2015 Bafle
 2015/0335851 A1 * 11/2015 Cullen A61M 16/0066
 128/204.25
 2015/0359989 A1 * 12/2015 Potharaju A61M 16/109
 128/203.27

FOREIGN PATENT DOCUMENTS

EM 001312953-0003 3/2012
 EM 001312953-0004 3/2012
 EM 001312953-0005 3/2012
 EP 2 703 034 A2 8/2013
 WO WO 2011/056080 A1 5/2011
 WO WO 2012/160477 A1 11/2012

OTHER PUBLICATIONS

U.S. Appl. No. 29/492,344, filed May 2014, Bertinetti et al.
 Office Action mailed Nov. 7, 2014 in Design U.S. Appl. No. 29/482,519 (5 pages).
 ResMed S9™ Series, No Other Sleep Therapy System Delivers, 2010 (12 pages).
 Philips Respironics, System One Sleep Therapy System, May 2012 (2 pages).
 Fisher & Paykel Healthcare, Icon Brochure, 2010 (2 pages).
 Fisher & Paykel Healthcare, Icon User Manual, Jan. 2010 (214 pages).
 Office Action mailed Dec. 4, 2014 in U.S. Appl. No. 29/456,477 (9 pages).
 U.S. Appl. No. 29/456,458, filed May 2013, Formica et al.
 U.S. Office Action dated Jul. 5, 2016 issued in U.S. Appl. No. 29/502,152, citing D695,388, D708,316, US 2014/0202460, US 2014/0216459, D710,989, US 2015/0273167, US 2015/02277733, and D759,234.

* cited by examiner

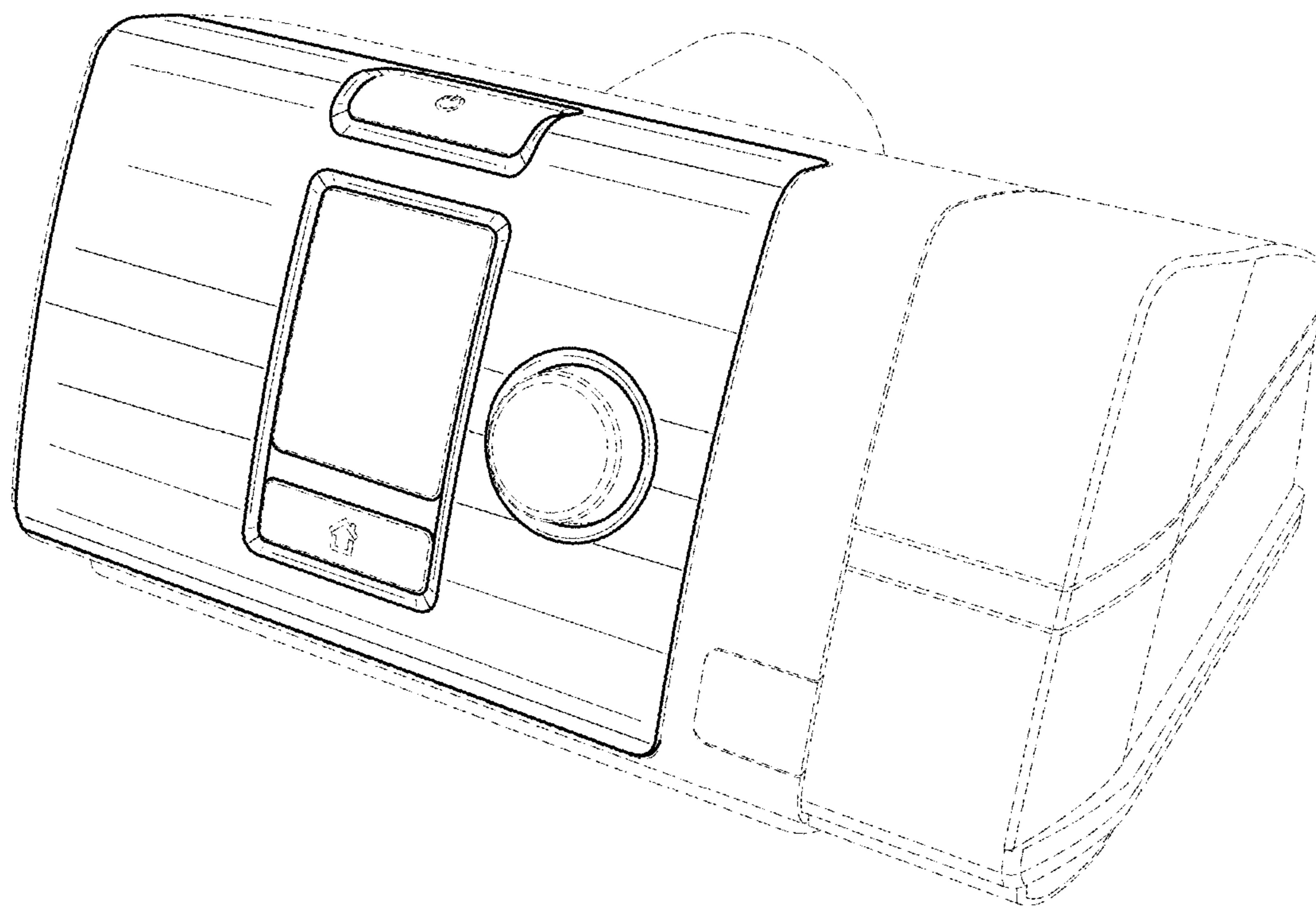


FIG. 1

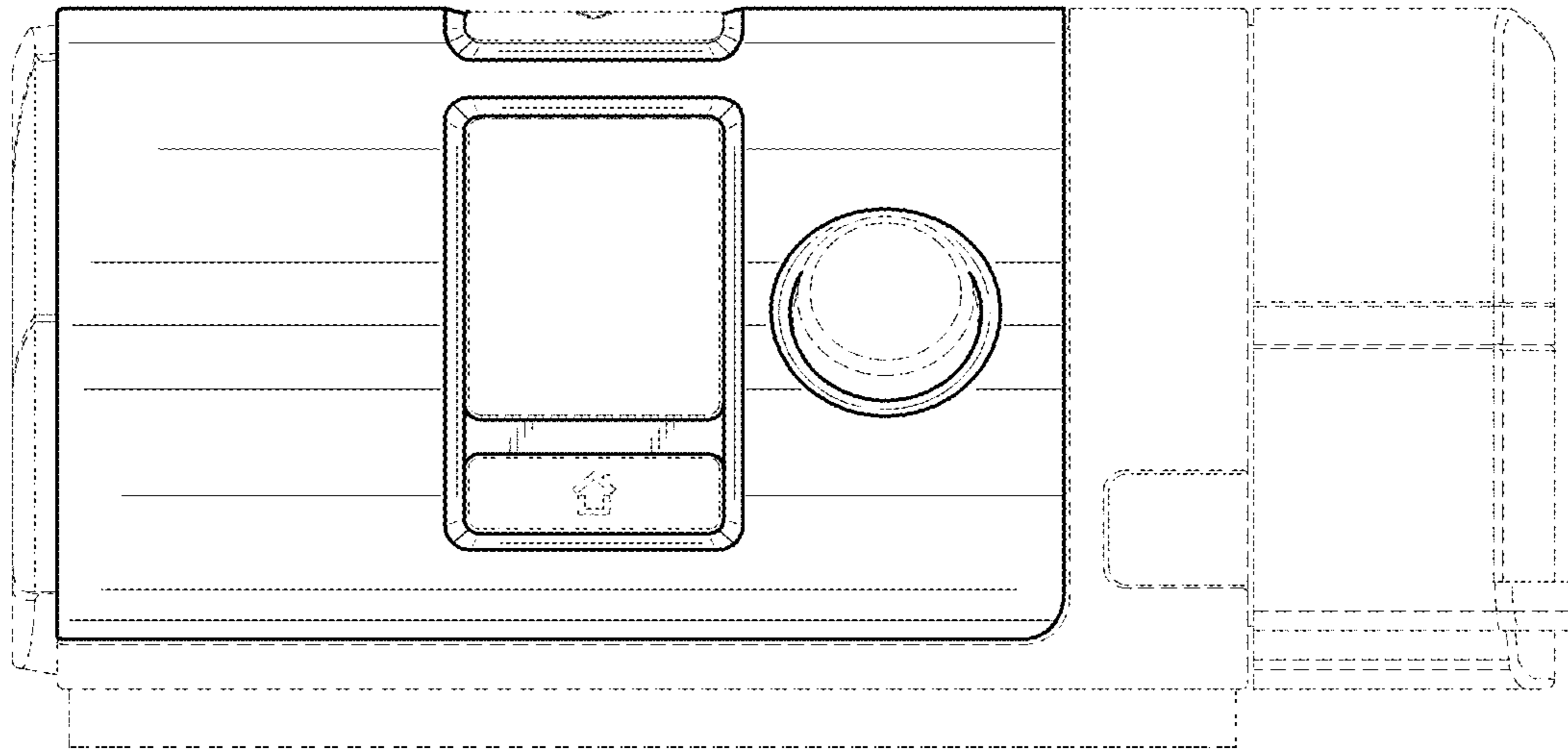


FIG. 2

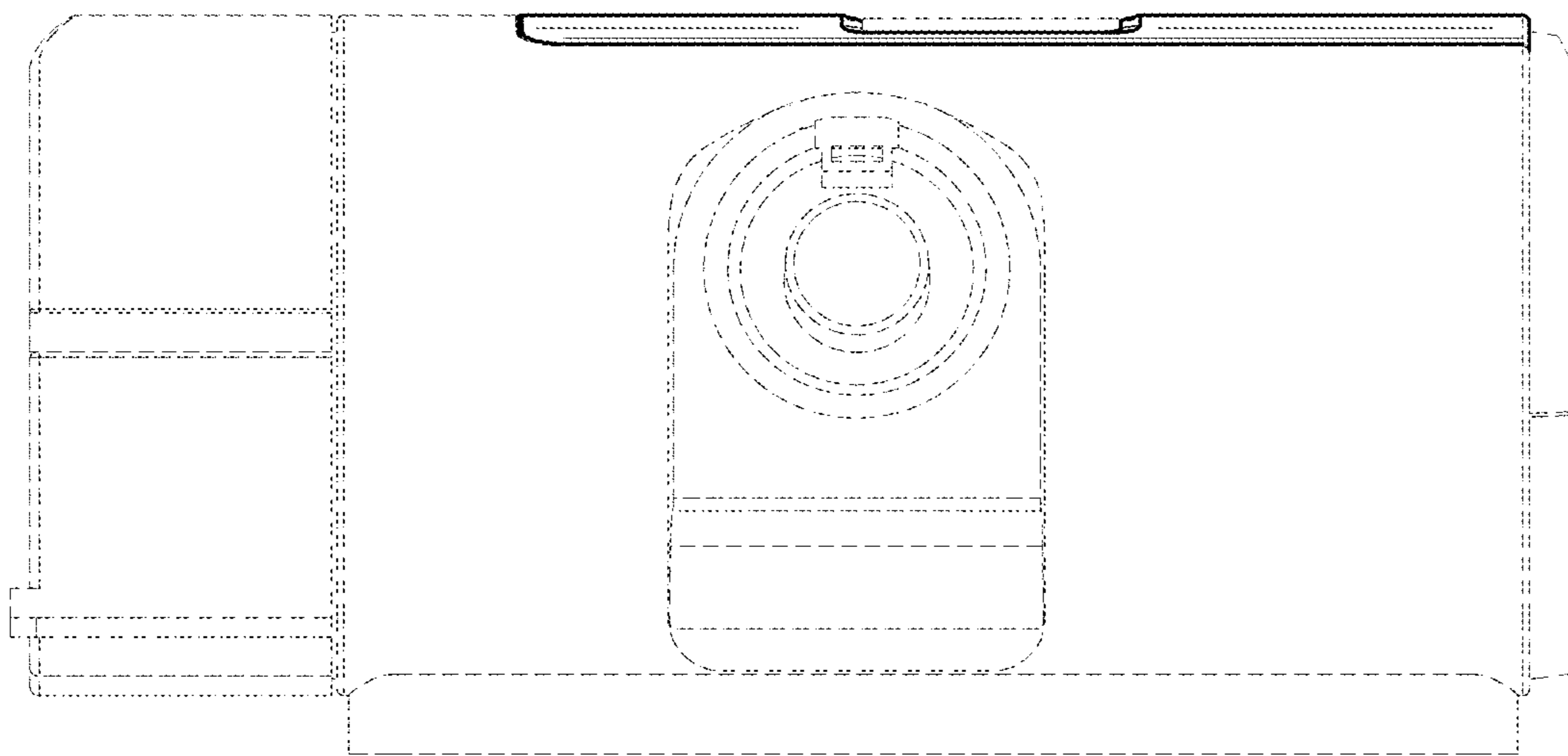


FIG. 3

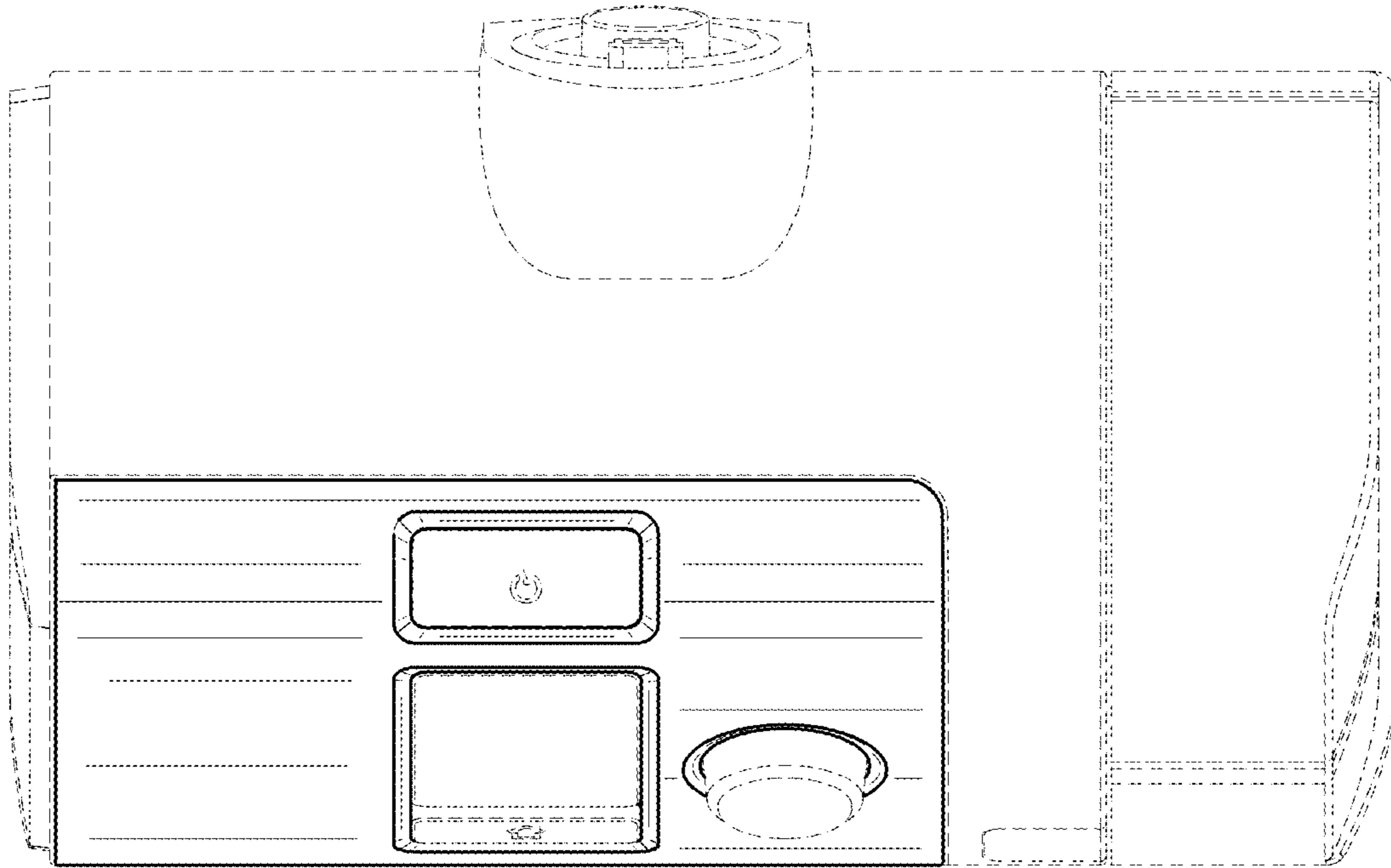


FIG. 4

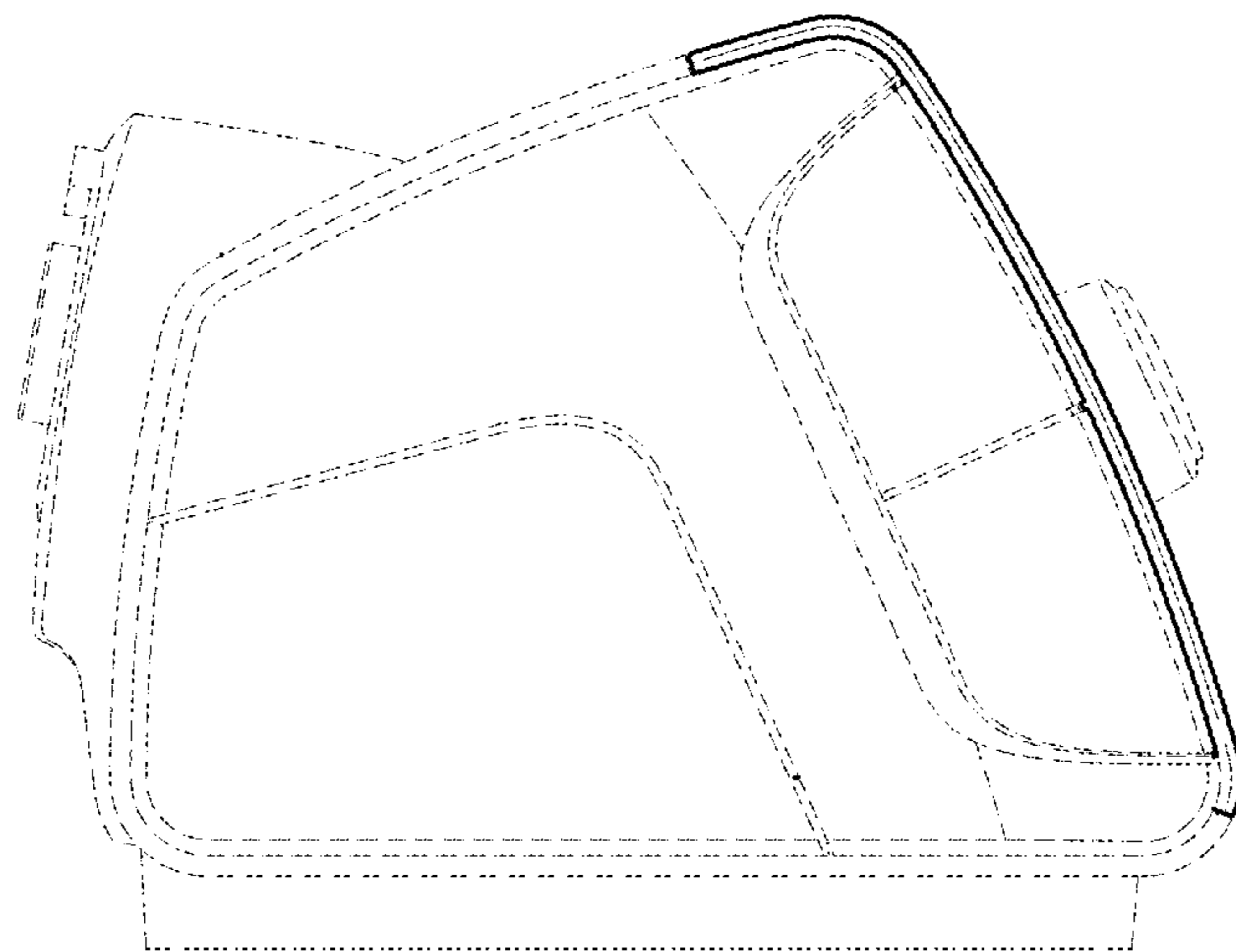


FIG. 5

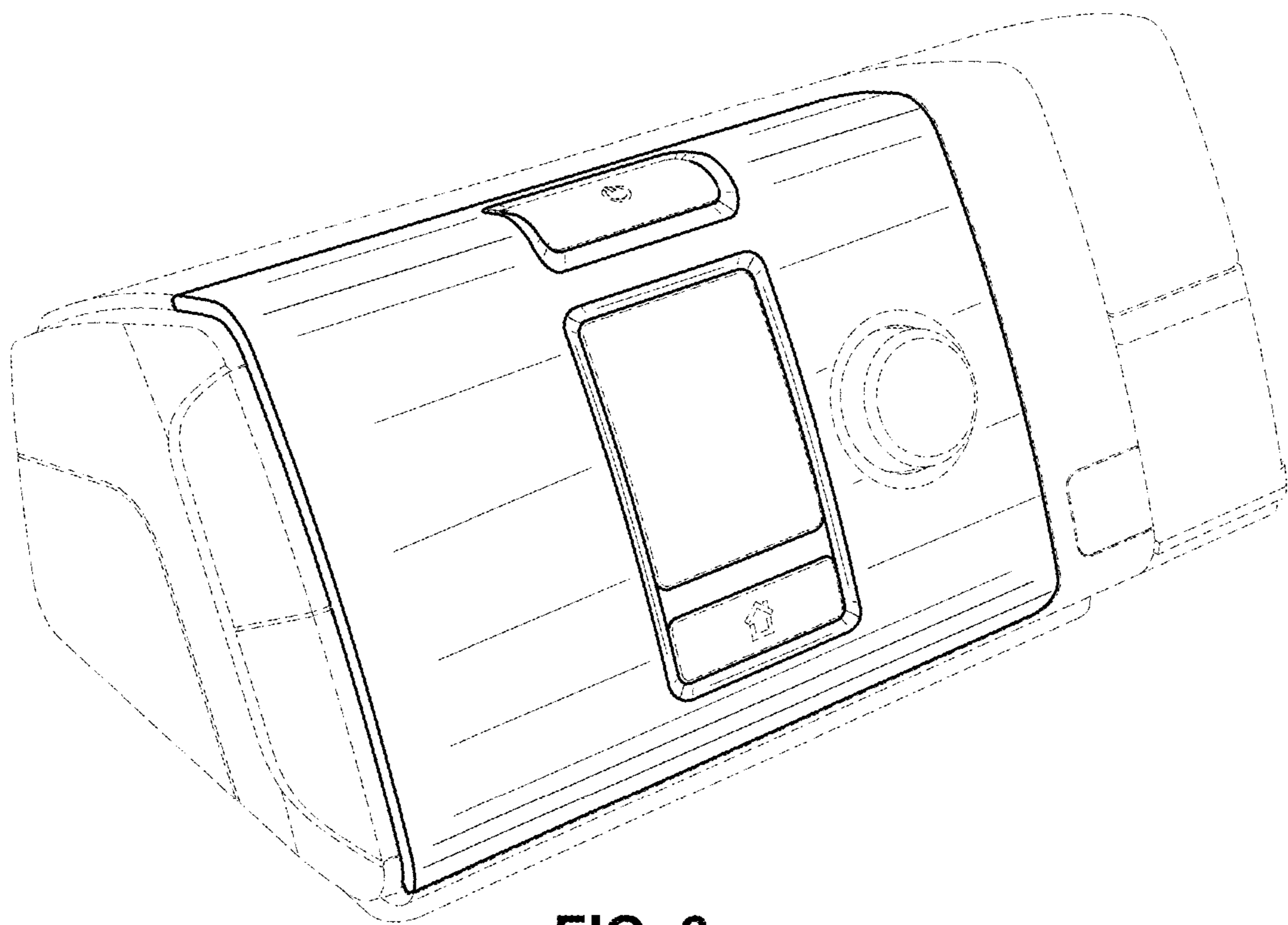


FIG. 6