



US00D771796S

(12) **United States Design Patent**
Wang

(10) **Patent No.:** **US D771,796 S**

(45) **Date of Patent:** **** Nov. 15, 2016**

(54) **CEILING FAN MOTOR HOUSING**

(71) Applicant: **YOUNGO LIMITED**, Hong Kong (CN)

(72) Inventor: **Cliff Wang**, Taichung (TW)

(73) Assignee: **YOUNGO LIMITED**, Hong Kong (CN)

(**) Term: **15 Years**

(21) Appl. No.: **29/539,302**

(22) Filed: **Sep. 11, 2015**

(51) **LOC (10) Cl.** **23-04**

(52) **U.S. Cl.**
USPC **D23/411; D23/377; D26/59**

(58) **Field of Classification Search**
USPC D23/370-387, 411-414, 365, 355, 342, D23/332, 328, 337, 335, 314, 393; 415/60, 415/66, 68, 208.1, 213.1, 214.1, 209.3; 310/257; 361/695; 126/299 D, 299 R; D26/59, 89

CPC F01D 9/042; F04D 25/08; F04D 29/70; F04D 29/34; F04D 19/00; F24F 7/007; F24F 13/082; F24F 7/065; F24F 13/078
See application file for complete search history.

(56) **References Cited**

U.S. PATENT DOCUMENTS

5,681,147 A * 10/1997 Yung-Chung F04D 25/0613
416/244 R
D605,750 S * 12/2009 Paxton D23/377

D626,207 S * 10/2010 Searle D23/377
D698,914 S * 2/2014 Love D23/377
D698,915 S * 2/2014 Christopher D23/377
D728,775 S * 5/2015 Gajewski D23/411

* cited by examiner

Primary Examiner — Susan Bennett Hattan

Assistant Examiner — Janice Hallmark

(74) *Attorney, Agent, or Firm* — Pai Patent & Trademark Law Firm; Chao-Chang David Pai

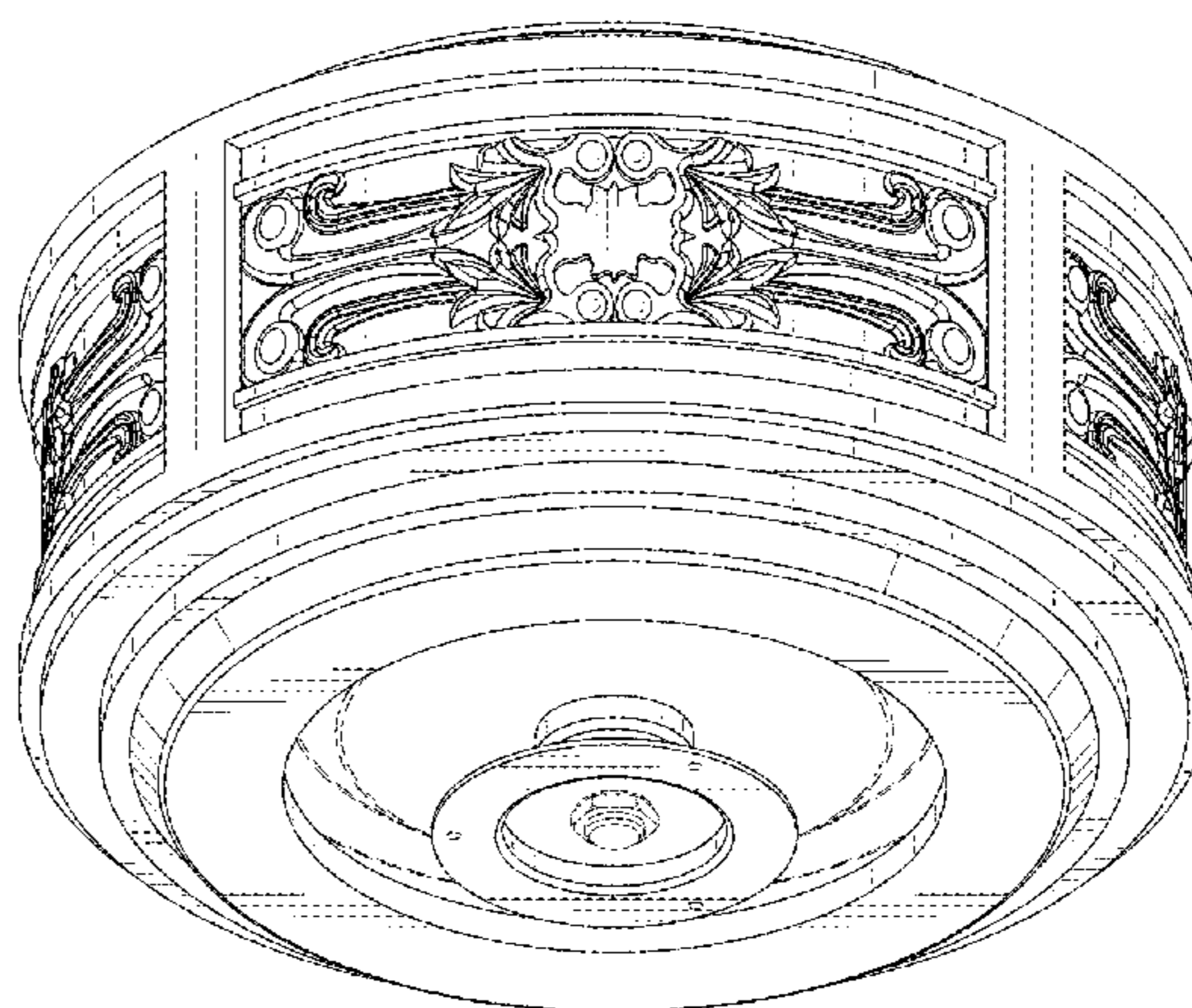
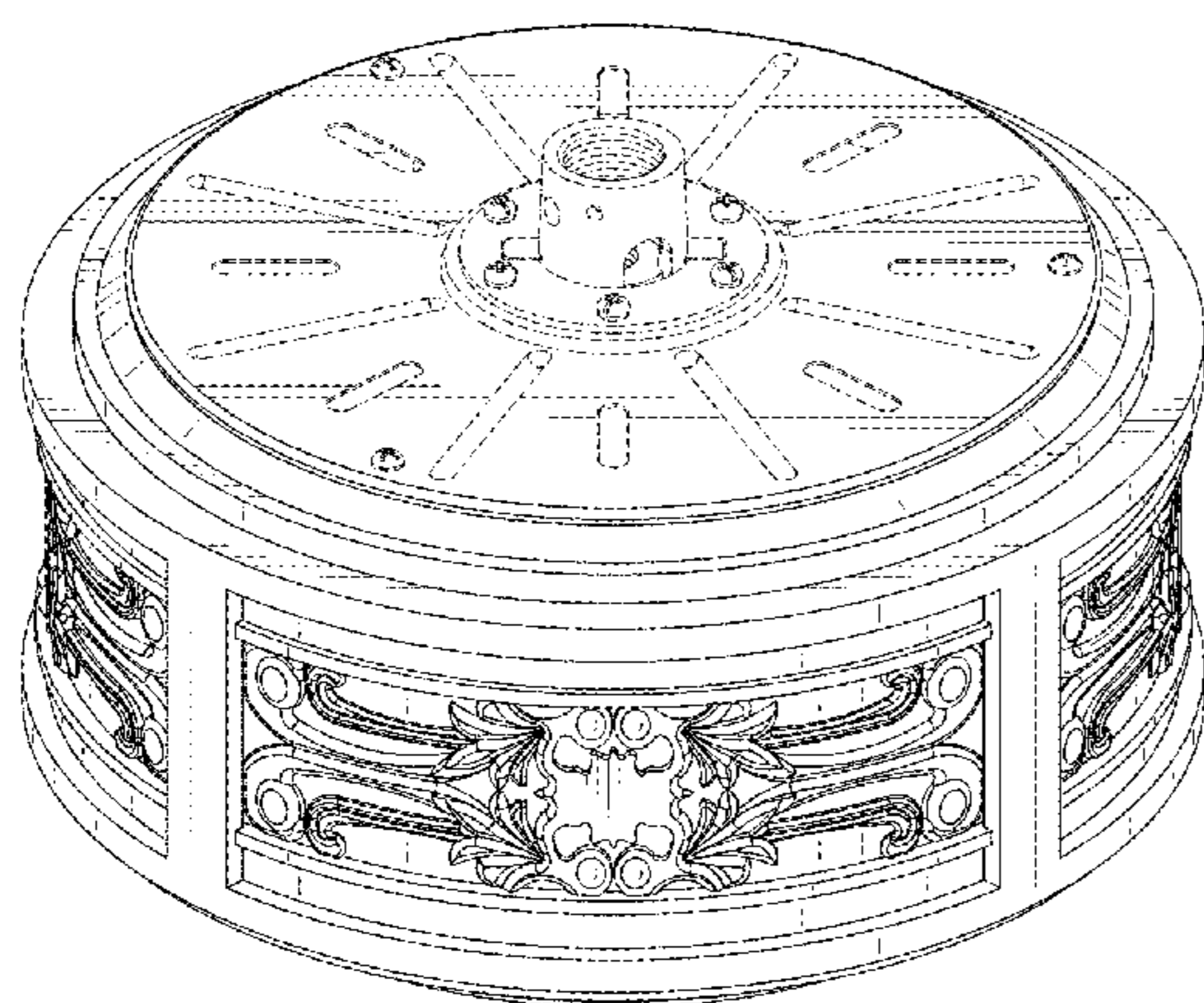
(57) **CLAIM**

The ornamental design for a ceiling fan motor housing, as shown and described.

DESCRIPTION

FIG. 1 is a front perspective view of a ceiling fan motor housing showing my new design;
FIG. 2 is a front elevational view thereof;
FIG. 3 is a rear elevational view thereof;
FIG. 4 is a left side elevational view thereof;
FIG. 5 is a right side elevational view thereof;
FIG. 6 is a top plan view thereof;
FIG. 7 is a bottom plan view thereof; and,
FIG. 8 is another front perspective view thereof.
The broken lines are for the purpose of illustrating environmental structure and form no part of the claimed design.

1 Claim, 8 Drawing Sheets



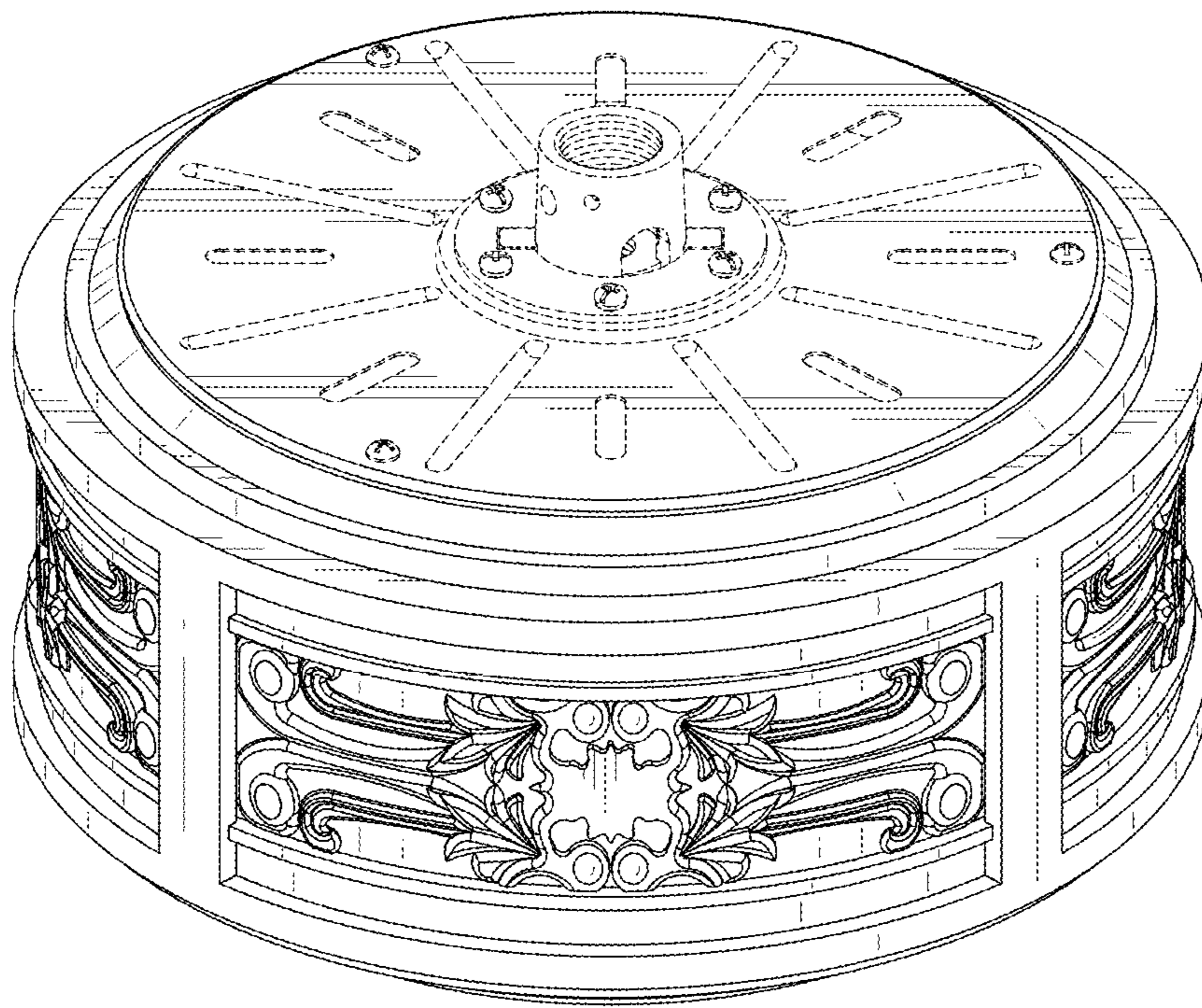


FIG. 1

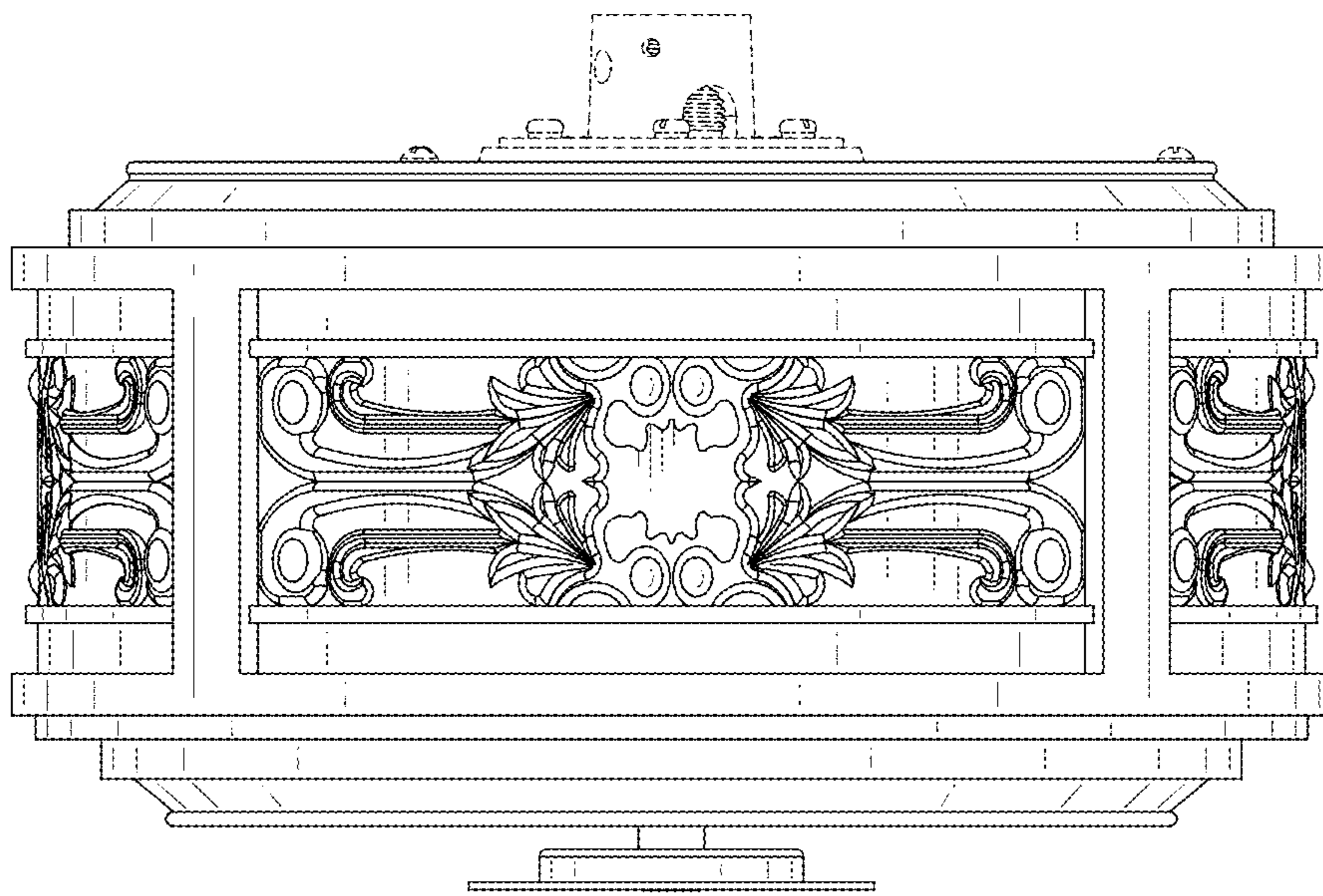


FIG. 2

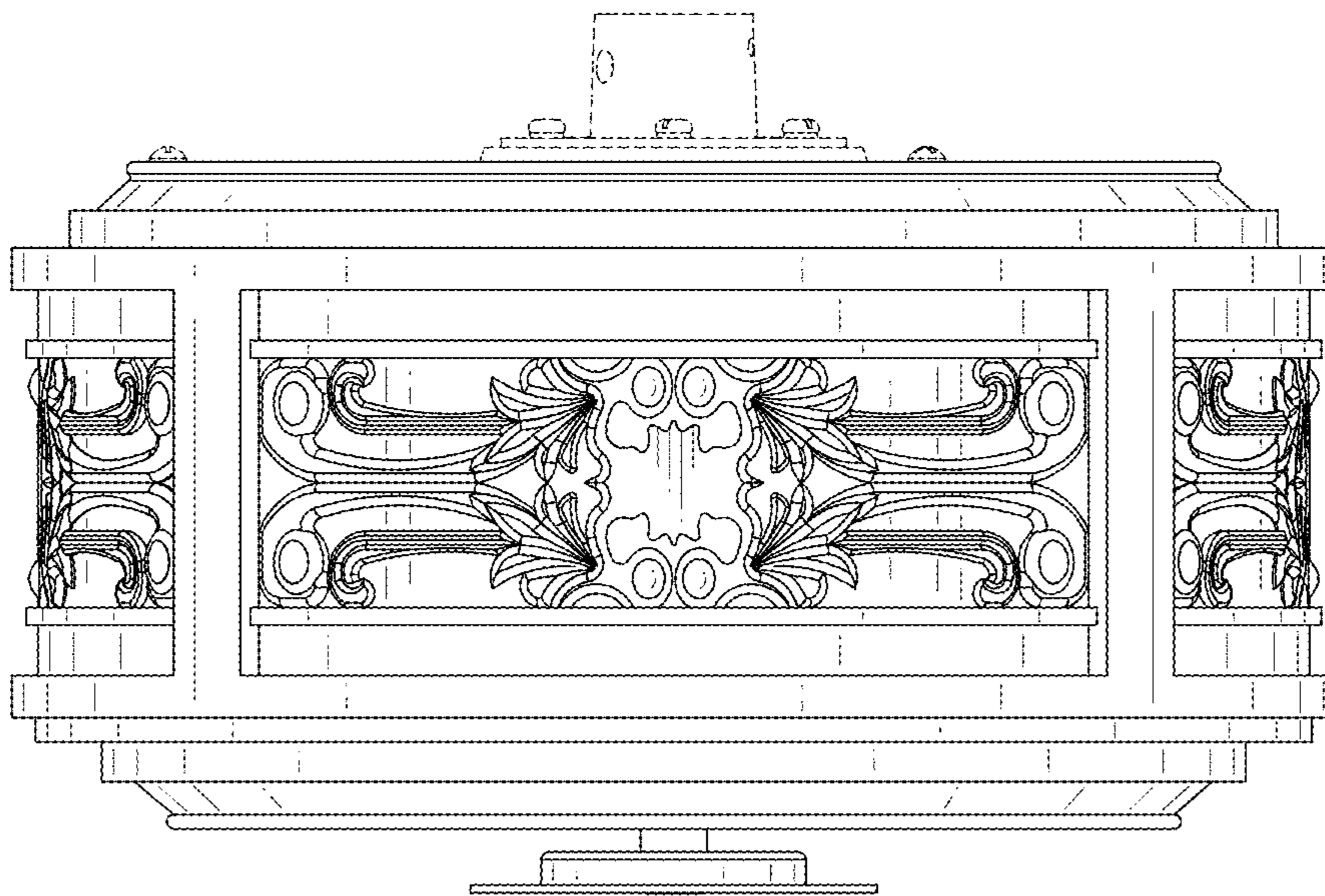


FIG. 3

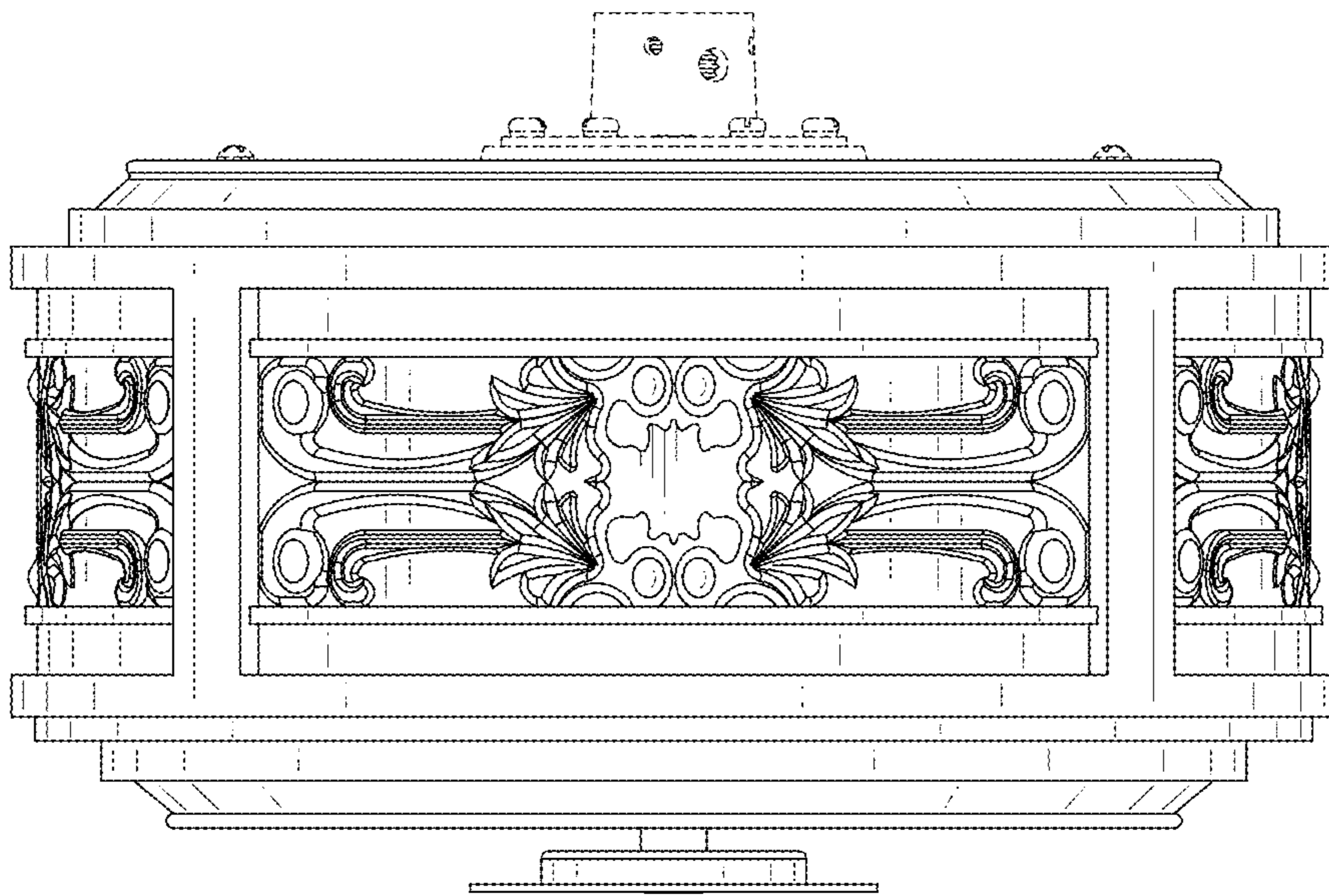


FIG. 4

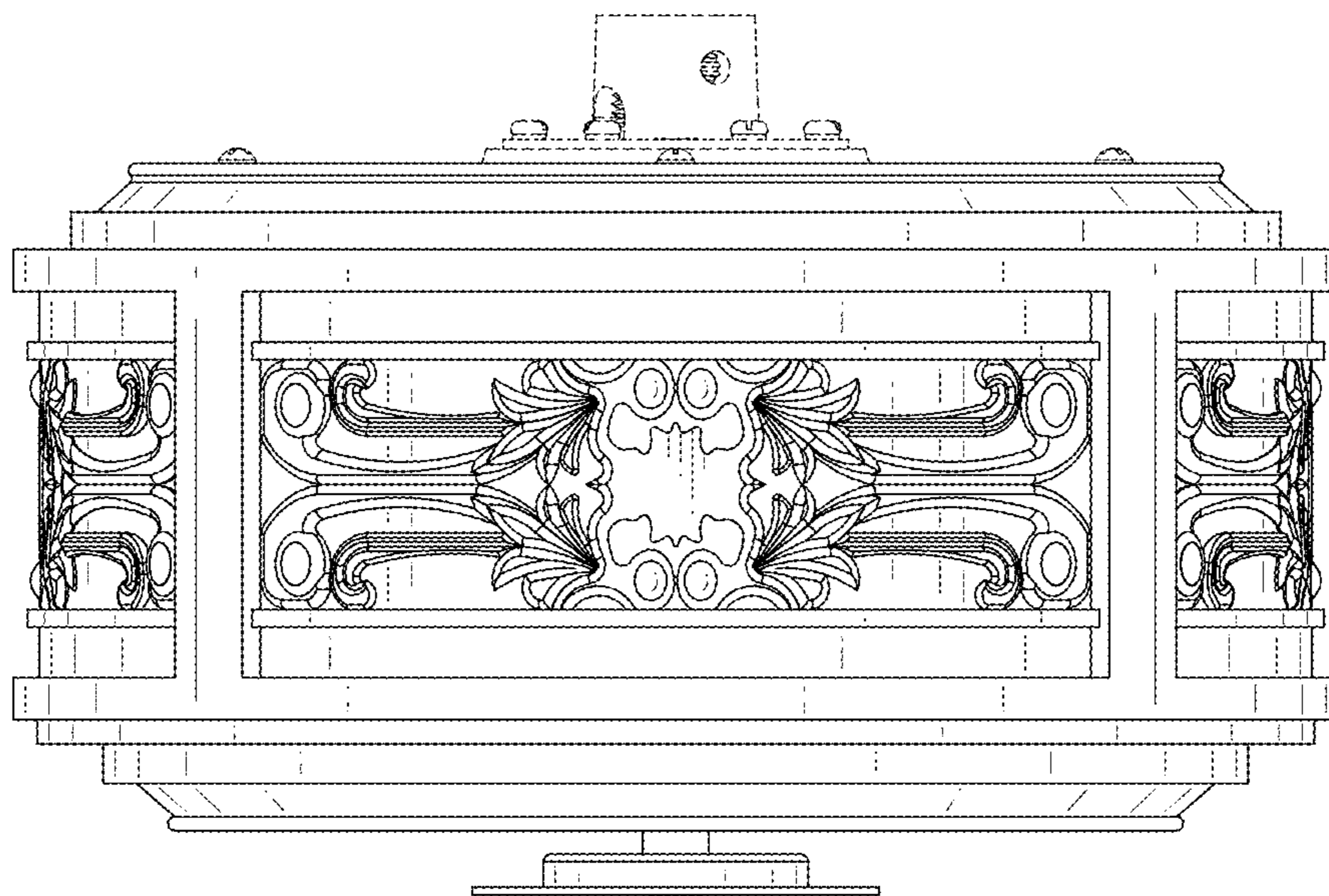


FIG. 5

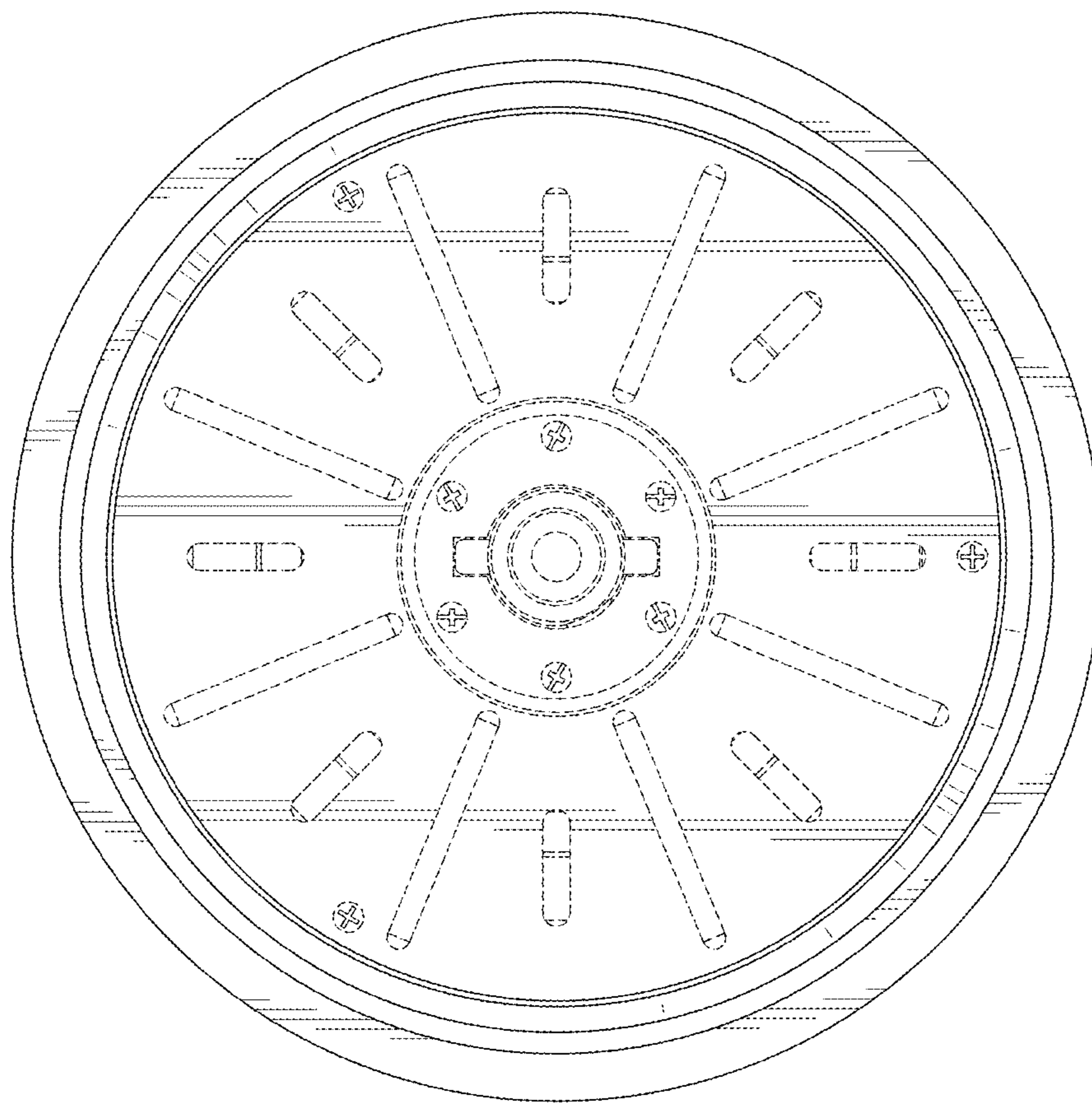


FIG. 6

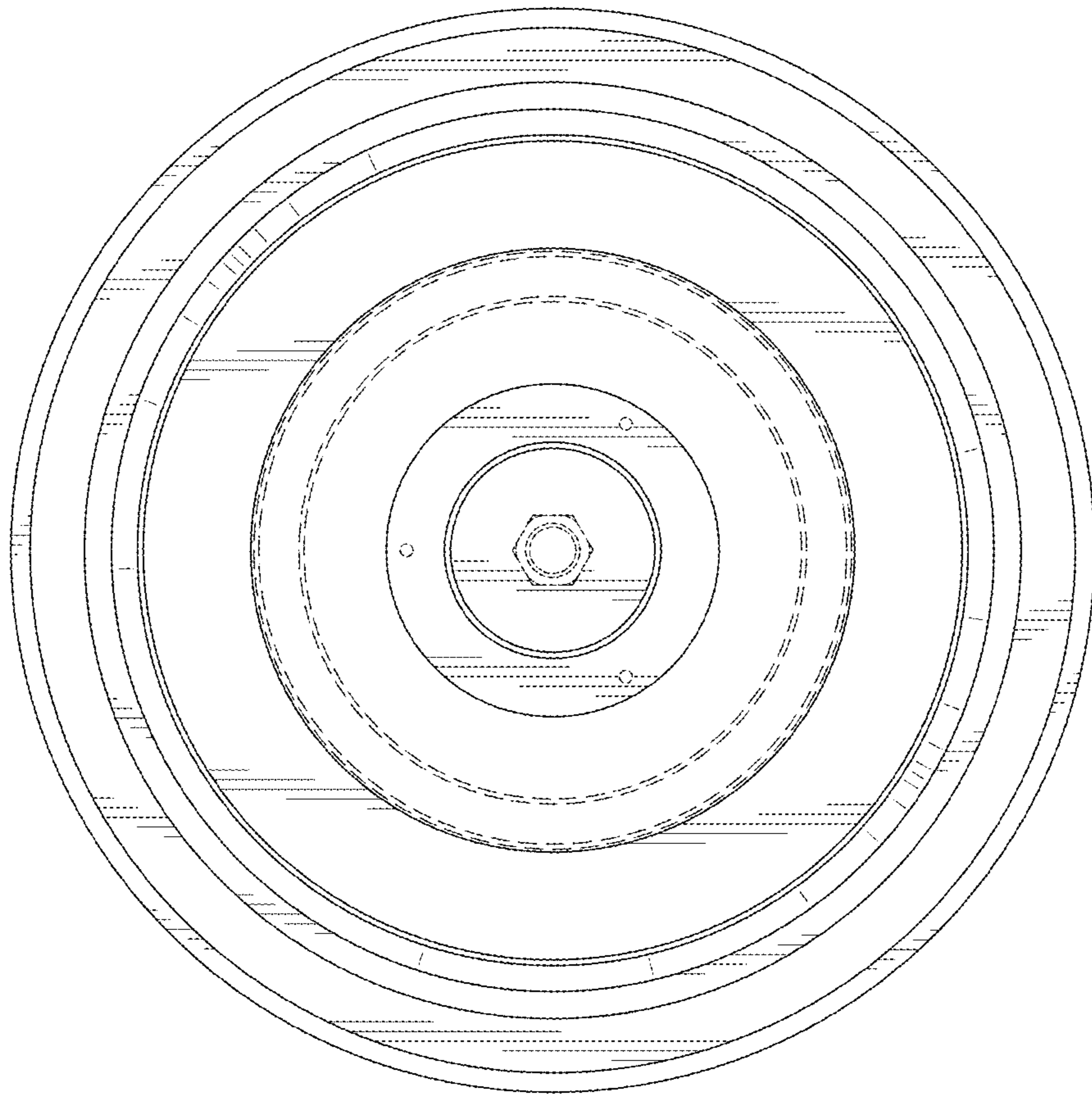


FIG. 7

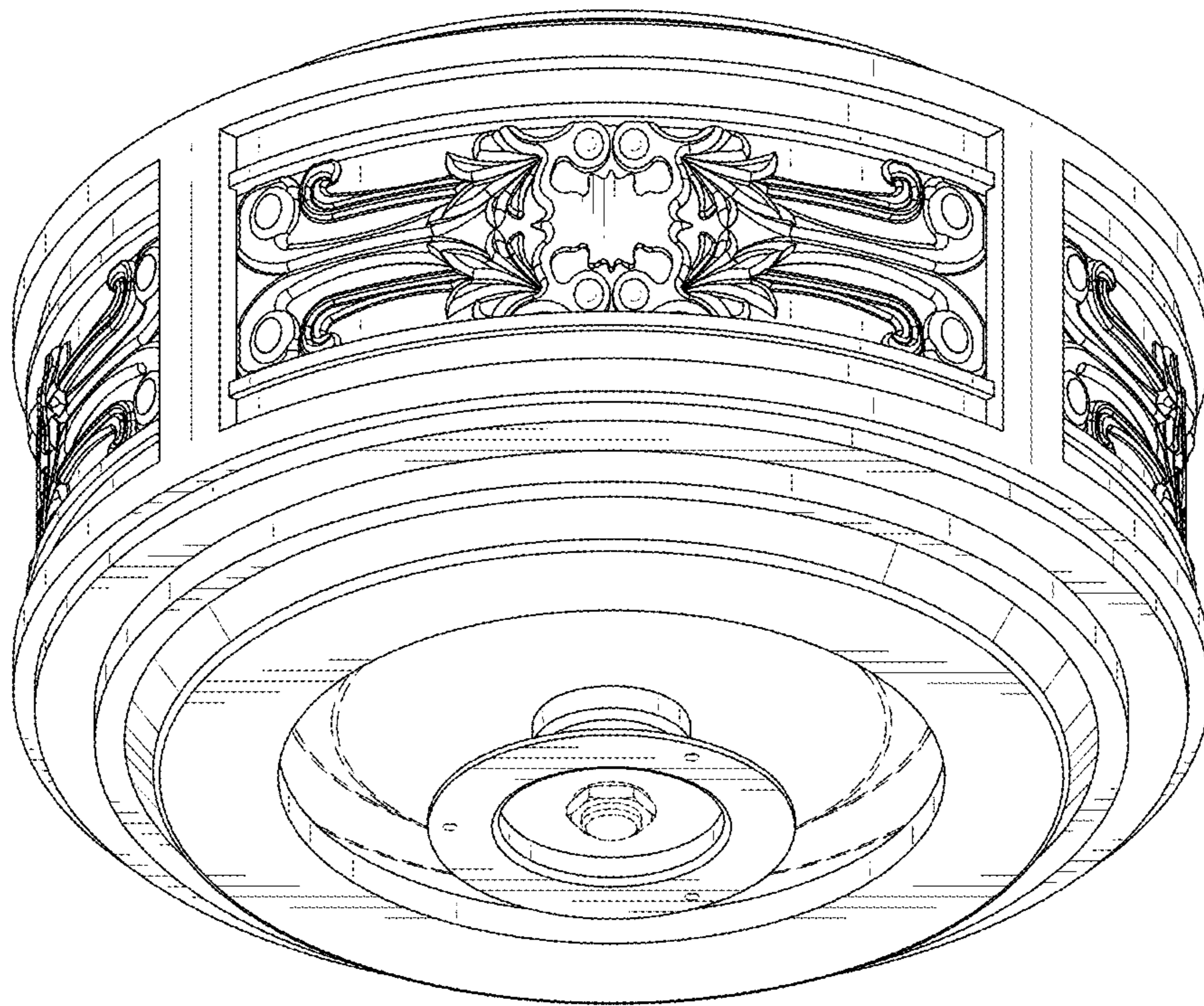


FIG. 8