



US00D771793S

(12) **United States Design Patent** (10) **Patent No.:** **US D771,793 S**
Smith et al. (45) **Date of Patent:** **** Nov. 15, 2016**

(54) **AIR INLET DAMPER**

FOREIGN PATENT DOCUMENTS

(71) Applicant: **A. O. SMITH CORPORATION**,
Milwaukee, WI (US)

GB 2012042 7/1979
GB 2039358 8/1980
WO 8100609 3/1981

(72) Inventors: **Timothy Mitchel Smith**, Blountville,
TN (US); **Chad Taylor Thompson**,
Dandridge, TN (US); **George W.**
Kraus, II, Johnson City, TN (US)

OTHER PUBLICATIONS

Louvre Dampers, image post date Mar. 2010, site visited Jun. 11,
2016, (online), <<http://pumps.kerrpump.com/Asset/Damper.pdf>>.*

(73) Assignee: **A. O. SMITH CORPORATION**,
Milwaukee, WI (US)

(Continued)

(**) Term: **15 Years**

Primary Examiner — Kevin Rudzinski

Assistant Examiner — Sean D Lough

(21) Appl. No.: **29/535,587**

(74) *Attorney, Agent, or Firm* — Michael Best &
Friedrich LLP

(22) Filed: **Aug. 7, 2015**

(51) **LOC (10) Cl.** **23-04**

(52) **U.S. Cl.**
USPC **D23/393**

(57) **CLAIM**

We claim the ornamental design for an air inlet damper, as
shown and described.

(58) **Field of Classification Search**

DESCRIPTION

USPC D13/139.2; D23/323, 328, 333, 335,
D23/336, 337, 341, 352, 357, 370, 385, 386,
D23/388, 392, 397, 399, 400, 406, 411, 412,
D23/413, 499

CPC B65D 7/00; B65D 67/02; F16M 1/00;
F24F 1/027; F24F 13/32; F25D 23/10;
E04F 17/08; F16L 3/26; F16L 9/22; F16K
1/221; F16K 1/443; F16K 31/122; F23L
11/005; F24H 1/205; F24H 9/0026; F24H
9/0031; F24H 9/2035; F23N 2025/22;
F23N 2035/18; F23N 2035/20

See application file for complete search history.

FIG. 1 is a bottom perspective view of an air inlet damper
in an opened configuration showing the new design in a first
position of use;

FIG. 2 is a right side view thereof;

FIG. 3 is a left side view thereof;

FIG. 4 is a rear view thereof;

FIG. 5 is a front view thereof;

FIG. 6 is a top view thereof;

FIG. 7 is a bottom view thereof;

FIG. 8 is a bottom perspective view of the air inlet damper
of FIG. 1 in a closed configuration showing the new design
in a second position of use;

FIG. 9 is a right side view thereof;

FIG. 10 is a left side view thereof;

FIG. 11 is a rear view thereof;

FIG. 12 is a front view thereof;

FIG. 13 is a top view thereof; and,

FIG. 14 is a bottom view thereof.

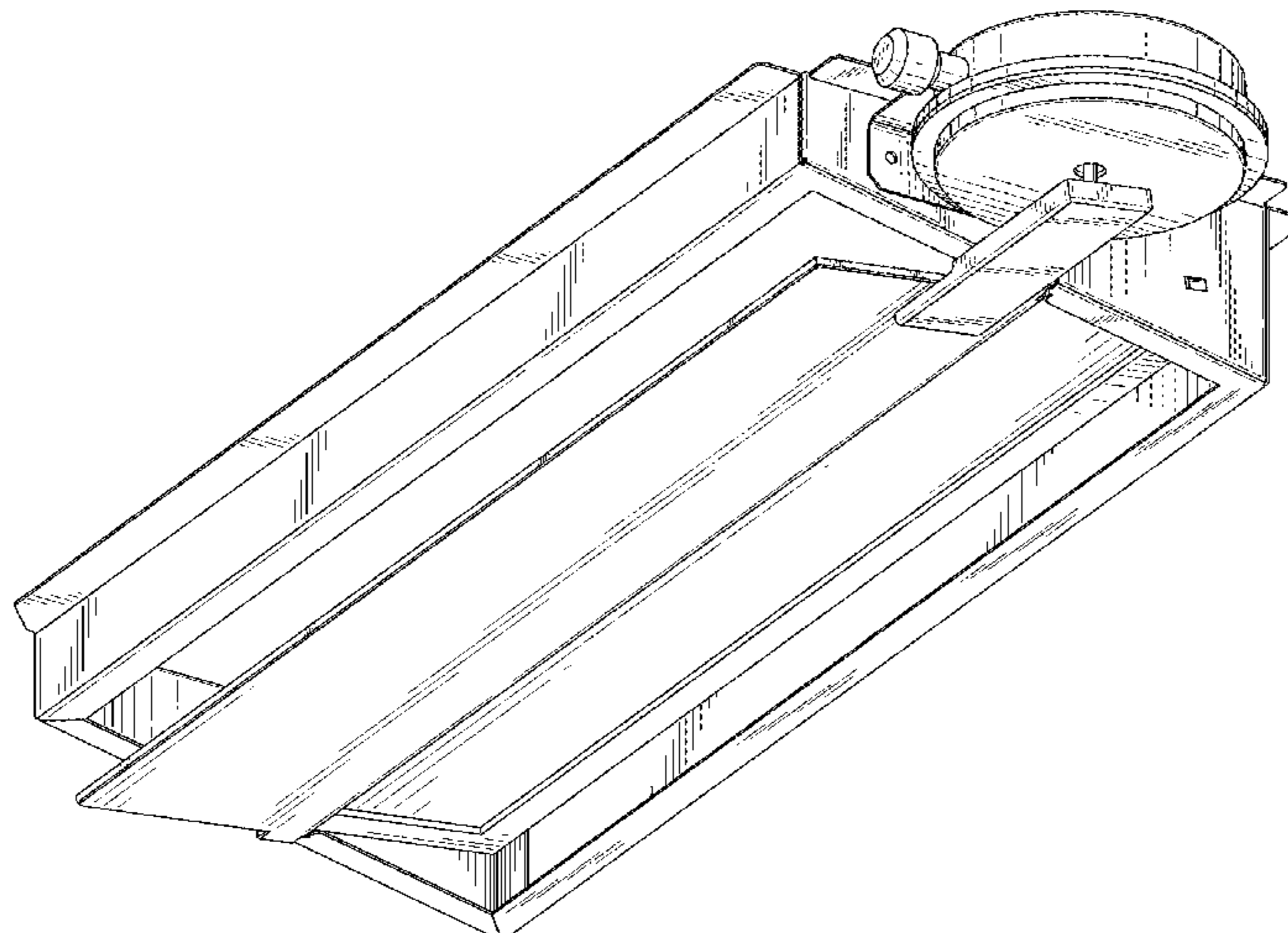
(56) **References Cited**

U.S. PATENT DOCUMENTS

1,173,484 A 2/1916 Clay
1,198,675 A 9/1916 Smythe
1,488,694 A 2/1923 Marks
1,720,789 A 7/1929 Heusser

(Continued)

1 Claim, 10 Drawing Sheets



(56)

References Cited

U.S. PATENT DOCUMENTS

1,790,454 A	1/1931	Arrowsmith		6,293,862 B1	9/2001	Jafine et al.	
1,991,557 A	2/1935	Johnson		D451,214 S	11/2001	Gollob et al.	
2,080,726 A	5/1937	Lowinger		6,481,361 B1	11/2002	Schindler et al.	
2,229,388 A	1/1941	Postlewait		6,514,135 B1	2/2003	Kelly	
D132,821 S	6/1942	Leslie		6,523,575 B1 *	2/2003	Mrsny	B21C 37/296 138/109
2,364,791 A *	12/1944	Horne	F24H 1/205 122/17.2	D478,977 S	8/2003	Snyder	
2,628,551 A	2/1953	Leigh		D482,813 S	11/2003	Waldmann	
2,834,622 A *	5/1958	Reeves	F16L 3/26 248/68.1	D490,506 S *	5/2004	Snyder	D23/386
3,093,059 A	6/1963	Metz		D490,553 S	5/2004	Waldmann	
3,733,812 A *	5/1973	Lawrence	B66D 1/26 254/315	6,854,428 B1	2/2005	Hotton et al.	
3,835,986 A	9/1974	Le Beau		D505,195 S *	5/2005	Snyder	D23/393
D245,620 S	8/1977	Berry		7,004,832 B2	2/2006	Thomas	
4,046,318 A *	9/1977	Ripley	F23L 11/005 110/163	D517,006 S *	3/2006	Bessmertny	D13/102
4,076,171 A	2/1978	Swenson		7,013,841 B1	3/2006	Boros et al.	
4,182,483 A	1/1980	Swenson		7,032,543 B1	4/2006	Akkala et al.	
4,234,012 A *	11/1980	Schupback	E02F 3/384 137/355.17	7,055,465 B1 *	6/2006	Huang	F24H 9/2035 122/4 D
4,261,824 A	4/1981	Cuschera		D528,644 S	9/2006	Schwamkrug	
4,266,929 A	5/1981	Swenson		D534,450 S	1/2007	Müller	
4,297,818 A	11/1981	Anderson		D535,009 S	1/2007	Sinur et al.	
4,368,663 A *	1/1983	Tabacco	F23J 13/08 126/286	D536,778 S	2/2007	O'Hagin	
4,396,371 A	8/1983	Lorenz et al.		D537,570 S	2/2007	Sanders	
4,479,733 A	10/1984	Segal		D549,316 S	8/2007	O'Hagin et al.	
D277,027 S	1/1985	Waltz et al.		D556,314 S *	11/2007	Daniels, II	D23/393
D277,028 S	1/1985	Waltz et al.		D569,491 S	5/2008	DeForte	
4,509,913 A	4/1985	Lorenz et al.		D571,450 S *	6/2008	Brown	D23/387
4,592,269 A	6/1986	Lamparter		D576,264 S	9/2008	Grobleben	
D285,546 S	9/1986	Hayslette		D587,797 S	3/2009	Blanchard	
4,615,263 A	10/1986	Titterud		7,508,103 B2	3/2009	Watkins et al.	
D296,584 S *	7/1988	Hilton	D23/370	7,513,221 B2	4/2009	Akkala et al.	
4,790,289 A	12/1988	Barrett		D597,239 S *	7/2009	Hodgson	D26/65
D300,655 S *	4/1989	Buehler	D23/403	D598,959 S	8/2009	Kiddoo	
4,817,564 A	4/1989	Akkala et al.		7,651,390 B1	1/2010	Profeta et al.	
4,819,689 A	4/1989	Owsley et al.		D612,040 S	3/2010	Daniels	
4,875,465 A	10/1989	Kramer		D618,332 S *	6/2010	Kimura	D23/388
4,878,482 A	11/1989	Pfeffer		D618,780 S *	6/2010	Williams, Sr.	D23/373
4,879,801 A	11/1989	Stubbe et al.		D624,639 S	9/2010	Dilorenzo	
4,907,569 A	3/1990	Lemense		D625,800 S *	10/2010	Daniels	D23/373
4,909,385 A	3/1990	Blymiller		D628,718 S	12/2010	Grubka et al.	
D321,743 S *	11/1991	Logue	D23/388	D629,093 S	12/2010	Polston	
D327,317 S *	6/1992	Courchesne	D23/385	D629,882 S	12/2010	Nguyen	
D332,139 S	12/1992	Courchesne		D631,431 S *	1/2011	DeFelice	D13/102
D333,830 S	3/1993	Lampe		D634,419 S *	3/2011	Lambertson	D23/393
D335,123 S *	4/1993	Smiley	D14/315	D641,462 S	7/2011	Rafi	
5,487,219 A *	1/1996	Ruehl	B21D 39/031 29/465	8,001,643 B1 *	8/2011	James	F16L 3/23 14/69.5
5,501,634 A	3/1996	Wilder		D652,498 S *	1/2012	Rafi	D23/365
5,503,181 A	4/1996	Kennedy		D653,745 S *	2/2012	Gregg	D23/386
5,531,214 A *	7/1996	Cheek	F23N 5/24 122/14.1	8,113,823 B2	2/2012	Guzorek	
5,591,080 A	1/1997	Ward		D656,601 S *	3/2012	Roderique	D23/386
D378,578 S	3/1997	Eberhardt		D659,460 S	5/2012	Boone	
D381,412 S	7/1997	Rimback		8,196,552 B2	6/2012	Whitford et al.	
5,662,522 A	9/1997	Waltz		8,205,401 B2	6/2012	Ward	
5,672,101 A	9/1997	Thomas		D662,870 S	7/2012	Russ	
D393,707 S	4/1998	Kelly		D665,210 S	8/2012	Hughes	
5,735,086 A	4/1998	Fordahl		D666,285 S	8/2012	Schrad et al.	
5,756,933 A *	5/1998	Pitchford	E04F 17/08 174/481	D666,707 S	9/2012	Eikhoff et al.	
D394,901 S	6/1998	Governale et al.		RE43,717 E	10/2012	DeForte et al.	
5,792,230 A *	8/1998	Moore	B01D 46/0004 454/290	D672,450 S *	12/2012	Milks	D23/387
5,947,815 A	9/1999	Danforth		D680,253 S	4/2013	Herberholt	
6,041,771 A	3/2000	Hayes		D688,289 S	8/2013	Hodgson	
D425,612 S *	5/2000	Andersen	D23/263	D690,065 S *	9/2013	Schoenster	D32/25
6,118,108 A *	9/2000	Ufford	B29C 65/18 156/294	D690,457 S	9/2013	Lu	
6,155,008 A	12/2000	McKee		D693,493 S	11/2013	Kim	
D436,163 S *	1/2001	Peterson	D23/393	8,607,719 B1	12/2013	Kuzni	
D442,273 S *	5/2001	Pestell	D23/393	D698,962 S	2/2014	Waldmann	
				D701,095 S	3/2014	Arvan	
				D702,817 S	4/2014	Ryu	
				D703,305 S	4/2014	Stollenwerk O'Hagin	
				D703,307 S *	4/2014	Little	D23/393
				D704,815 S	5/2014	Butler et al.	
				D704,816 S	5/2014	Butler et al.	
				D704,817 S *	5/2014	Butler	D23/373
				D705,420 S *	5/2014	Eichelberg	D23/387
				D708,779 S	7/2014	Cha et al.	
				8,794,228 B2 *	8/2014	Richter	F23J 13/04 126/300
				D714,928 S	10/2014	Urano	

(56)

References Cited

U.S. PATENT DOCUMENTS

D720,437 S * 12/2014 Togawa D23/261
 D724,715 S * 3/2015 Isshiki D23/351
 D727,486 S 4/2015 Sebert et al.
 D727,489 S * 4/2015 Rohskopf D23/388
 D731,047 S 6/2015 Leonard
 D732,708 S * 6/2015 Stauffer D25/133
 D734,861 S * 7/2015 Johnson D24/201
 D736,365 S * 8/2015 Breneman D23/372
 D737,421 S * 8/2015 Jannello D23/386
 D738,027 S 9/2015 Wang et al.
 D743,520 S * 11/2015 Sinur D23/372
 D744,632 S * 12/2015 Ehlert D23/393
 D748,239 S * 1/2016 Daniels D23/373
 D749,204 S * 2/2016 Breneman D23/372
 D749,342 S 2/2016 Escandon
 D750,314 S 2/2016 Hobson et al.
 D750,564 S * 3/2016 Weagle D13/137.4
 D752,770 S * 3/2016 Kuhn D24/227
 D754,304 S 4/2016 Morris et al.
 D754,835 S * 4/2016 Uehara D23/371
 D755,349 S * 5/2016 Murphey D23/237
 D755,944 S * 5/2016 Daniels D23/373
 D757,237 S * 5/2016 Gonzalez D23/328
 D758,107 S 6/2016 Hamilton
 D758,680 S * 6/2016 Hoffman D32/8
 2001/0049261 A1 12/2001 McKee et al.
 2002/0171059 A1 * 11/2002 Sakurai F02D 11/10
 251/305
 2003/0054754 A1 3/2003 McKee
 2003/0079905 A1 5/2003 Higgs
 2003/0116213 A1 * 6/2003 DiMarco F16L 9/003
 138/114
 2003/0153262 A1 8/2003 Mantyla et al.
 2003/0161742 A1 * 8/2003 Lin F04D 29/5893
 417/410.1
 2004/0177871 A1 9/2004 Harbaugh
 2004/0195923 A1 10/2004 Staigl, III et al.
 2004/0238651 A1 * 12/2004 Juntunen F23N 1/082
 236/20 R
 2005/0184268 A1 * 8/2005 Narayanaswamy ... B23K 31/02
 251/308
 2005/0233691 A1 10/2005 Horton
 2005/0284988 A1 * 12/2005 Lawver F16L 3/24
 248/65
 2006/0005809 A1 * 1/2006 Kado F02D 9/1035
 123/399
 2006/0042239 A1 * 3/2006 Gerards F16K 1/221
 60/324
 2006/0065211 A1 * 3/2006 Hasbargen F23L 17/005
 122/17.1
 2006/0157092 A1 * 7/2006 Kramer A47L 15/4285
 134/105
 2006/0249141 A1 11/2006 Sinur et al.
 2007/0045473 A1 * 3/2007 Clegg B64D 25/14
 244/137.2
 2007/0101689 A1 * 5/2007 Gaskins F23L 11/005
 55/385.4

2007/0241629 A1 * 10/2007 Ionel H02K 1/141
 310/214
 2008/0029243 A1 2/2008 O'Donnell et al.
 2008/0134843 A1 * 6/2008 Smith B25B 13/48
 81/121.1
 2008/0210783 A1 * 9/2008 Bissonnette F23D 14/32
 239/429
 2008/0272667 A1 11/2008 Ionel et al.
 2008/0302352 A1 12/2008 Pearce et al.
 2008/0308689 A1 12/2008 Syler
 2009/0084328 A1 4/2009 Lyons et al.
 2009/0191493 A1 * 7/2009 Guzorek F23L 11/005
 431/12
 2010/0012048 A1 1/2010 Whitford et al.
 2010/0015559 A1 1/2010 Whitford et al.
 2010/0118463 A1 * 5/2010 Smith H01C 7/12
 361/117
 2010/0126431 A1 * 5/2010 Kanda F23D 14/04
 122/14.21
 2010/0184366 A1 7/2010 Hassenstab
 2010/0300377 A1 12/2010 Buescher et al.
 2011/0168284 A1 7/2011 Whitford et al.
 2011/0294412 A1 12/2011 Vagedes
 2012/0212883 A1 8/2012 Hargreaves et al.
 2012/0255267 A1 10/2012 Ehrensberger et al.
 2013/0078903 A1 3/2013 Mantyla et al.
 2013/0115871 A1 5/2013 Bourque et al.
 2014/0144395 A1 5/2014 Blessing et al.
 2015/0053151 A1 2/2015 Graff
 2015/0219363 A1 8/2015 Bridegum
 2015/0220091 A1 8/2015 Koopman

OTHER PUBLICATIONS

SPM-F series Air regulation damper, image post date Jan. 14, 2014, site visited Jun. 11, 2016, (online), <<https://www.tineye.com/search/1d120de9ed460d7685f82916e431107f690f1824/>>.*
 Dampers—Air Measuring Products—Access Doors, image post date Apr. 18, 2005—Nov. 18, 2014, site visited Jun. 11, 2016, (online), <<http://www.deicontrols.com/dampers/>>.*
 Control Damper—Model 612, image post date 1955, site visited Jun. 11, 2016, (online), <<http://www.safeair-dowco.com/product/612.pdf>>.*
 Balancing Damper Damper—Model BDD, image post date 1955, site visited Jun. 11, 2016, (online), <<http://www.safeair-dowco.com/product/BDD.pdf>>.*
 Motorized damper, image post date May 22, 2012, site visited Jun. 11, 2016, (online), <<https://www.tineye.com/search/585a79138b8552a0de2f919391f5c3daa879a9eb/>>.*
 Residential Product Catalog, image post date May 2011, site visited Jun. 11, 2016, (online), <<http://www.cleanwaterpa.com/sites/default/files/u1/pdf/AO%20Smith%20water%20heater%20catalog.pdf>>.*
 Nordyne, “Direct Vent (Sealed Combustion) Forced Air Gas Furnaces,” installation instructions (2004) pp. 1-36.
 Yamaha R6 OEM ECU CDI Engine Control Unit Module Computer YZF-R6, image post date 2008, site visited Jun. 22, 2016, (online), <http://www.ebay.com.uK/itm/272262109754?clk_rvr_id=1050641016140&rmvSB=true>.

* cited by examiner

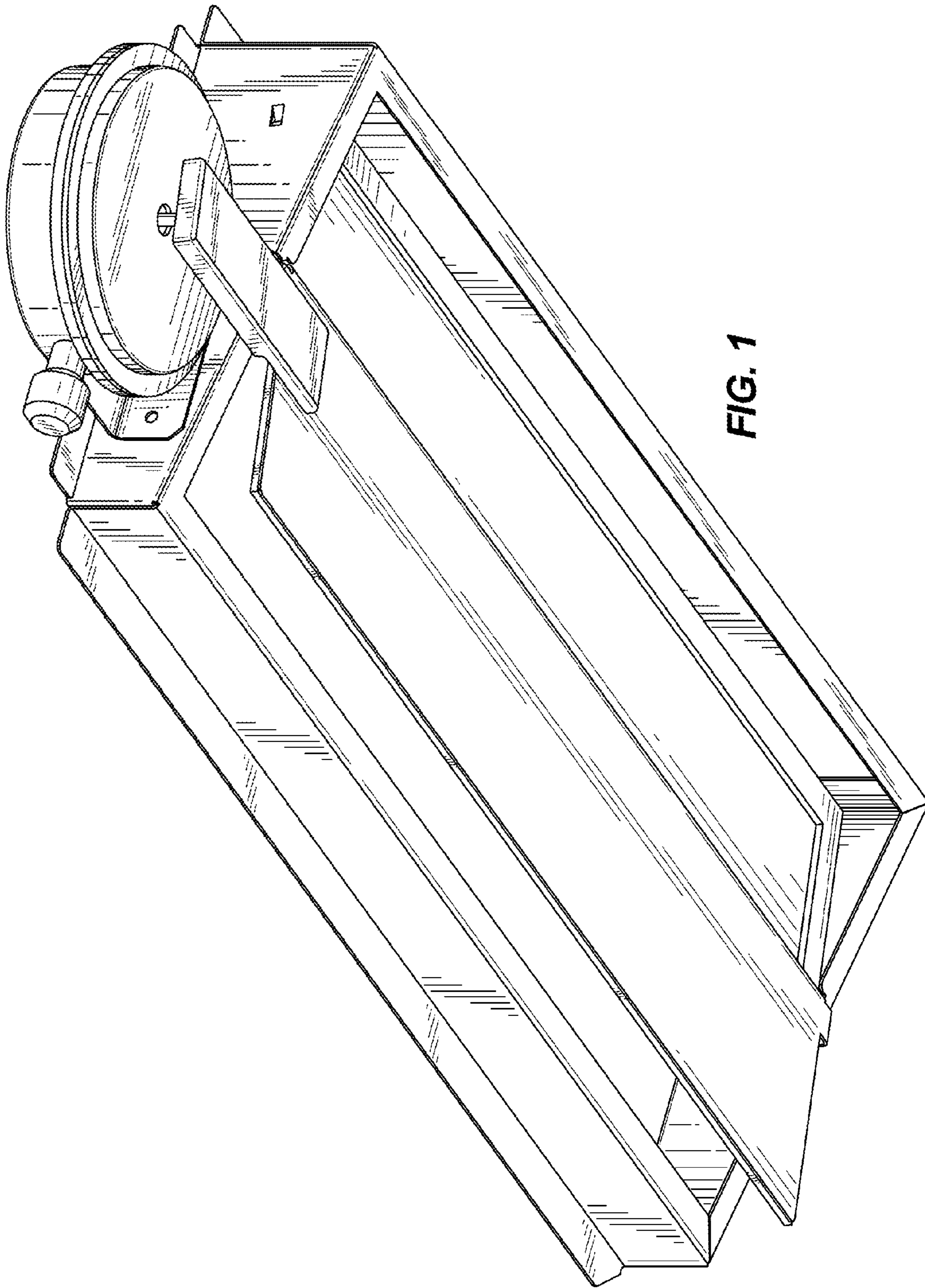


FIG. 1

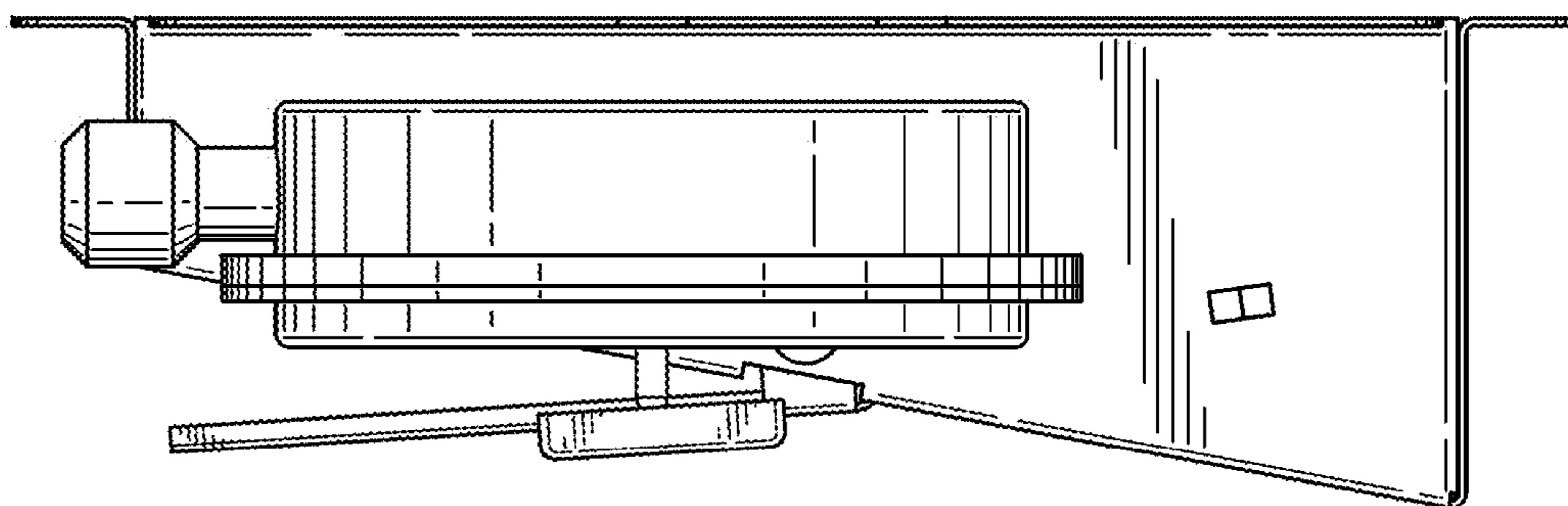


FIG. 2

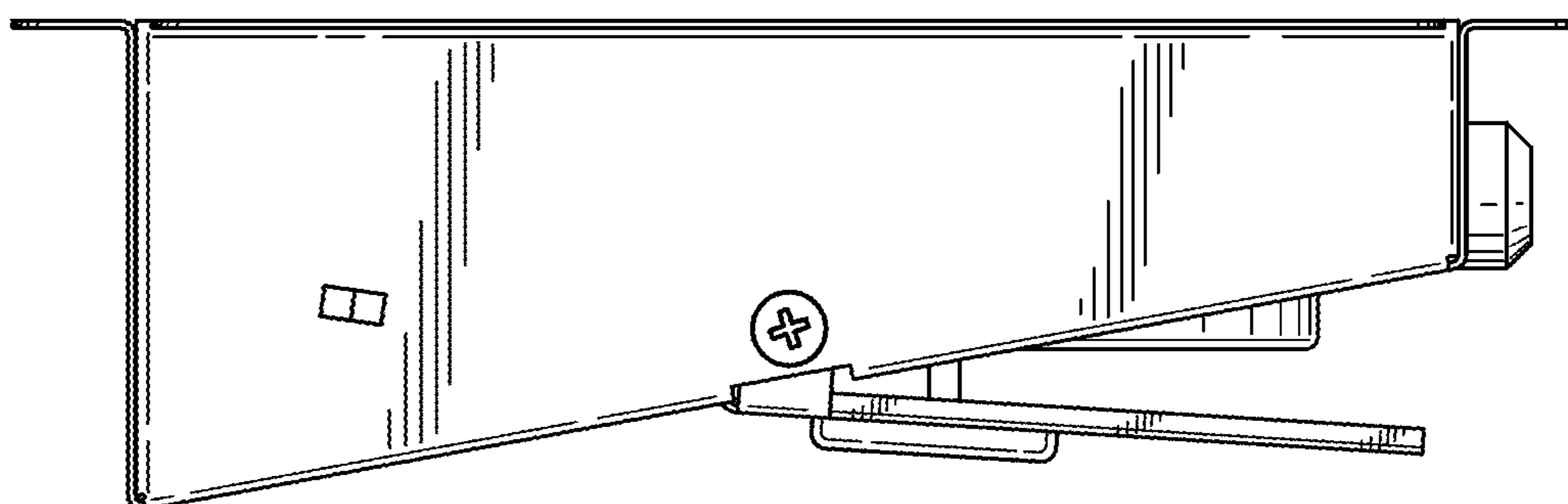


FIG. 3

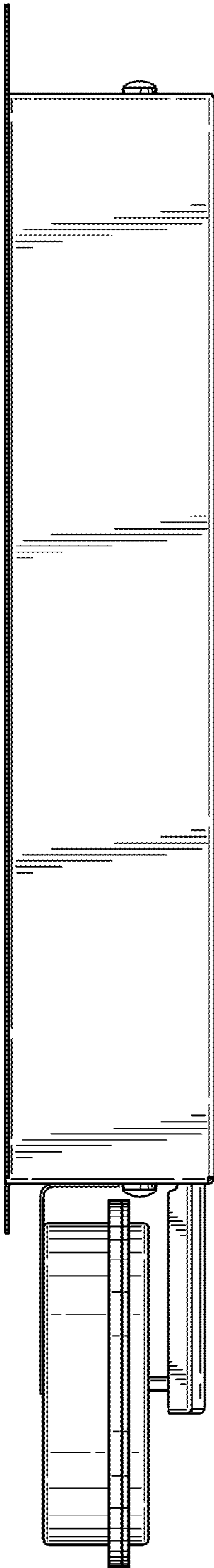


FIG. 4

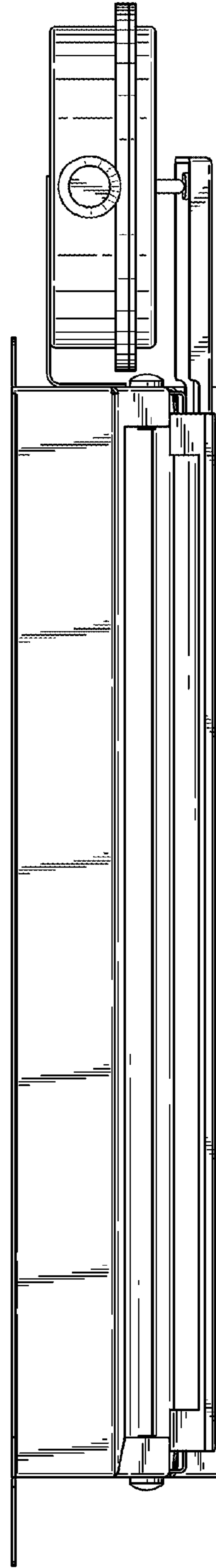


FIG. 5

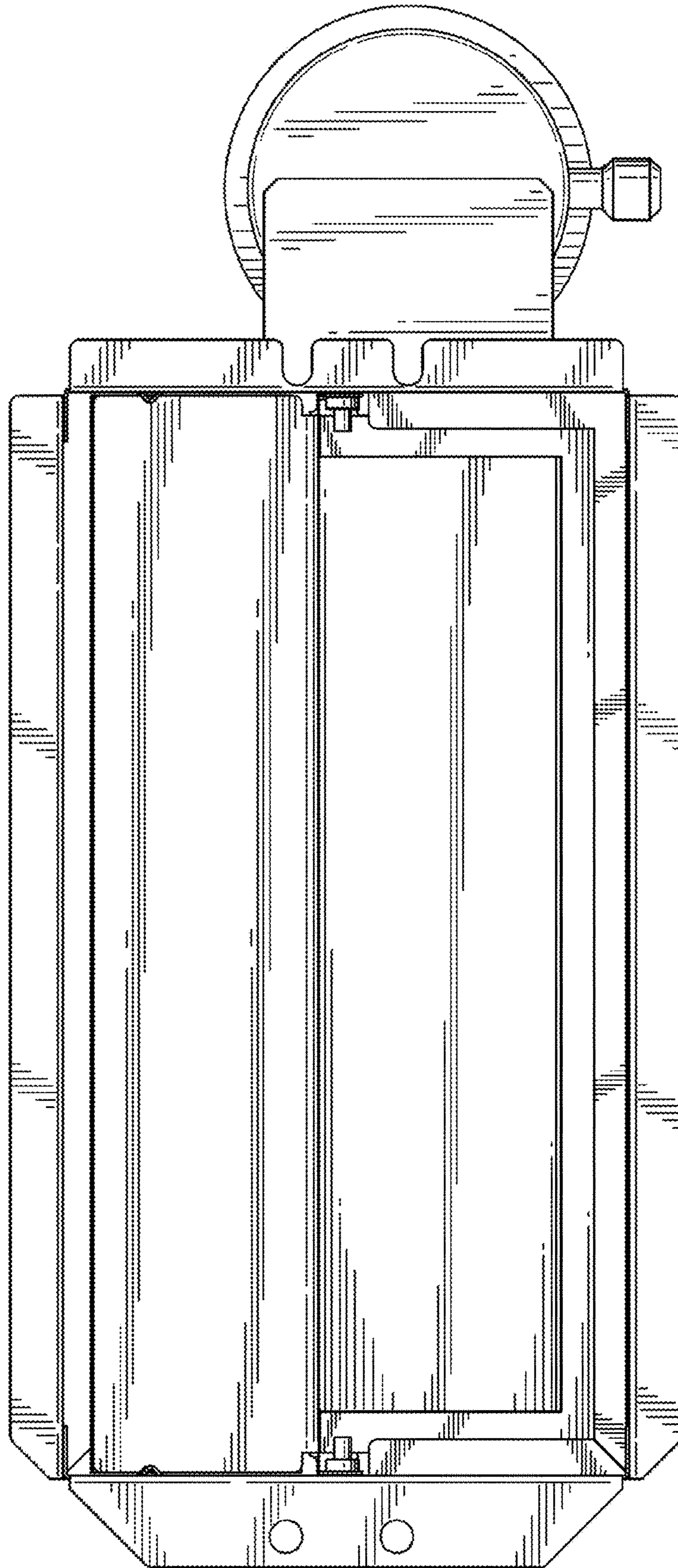


FIG. 6

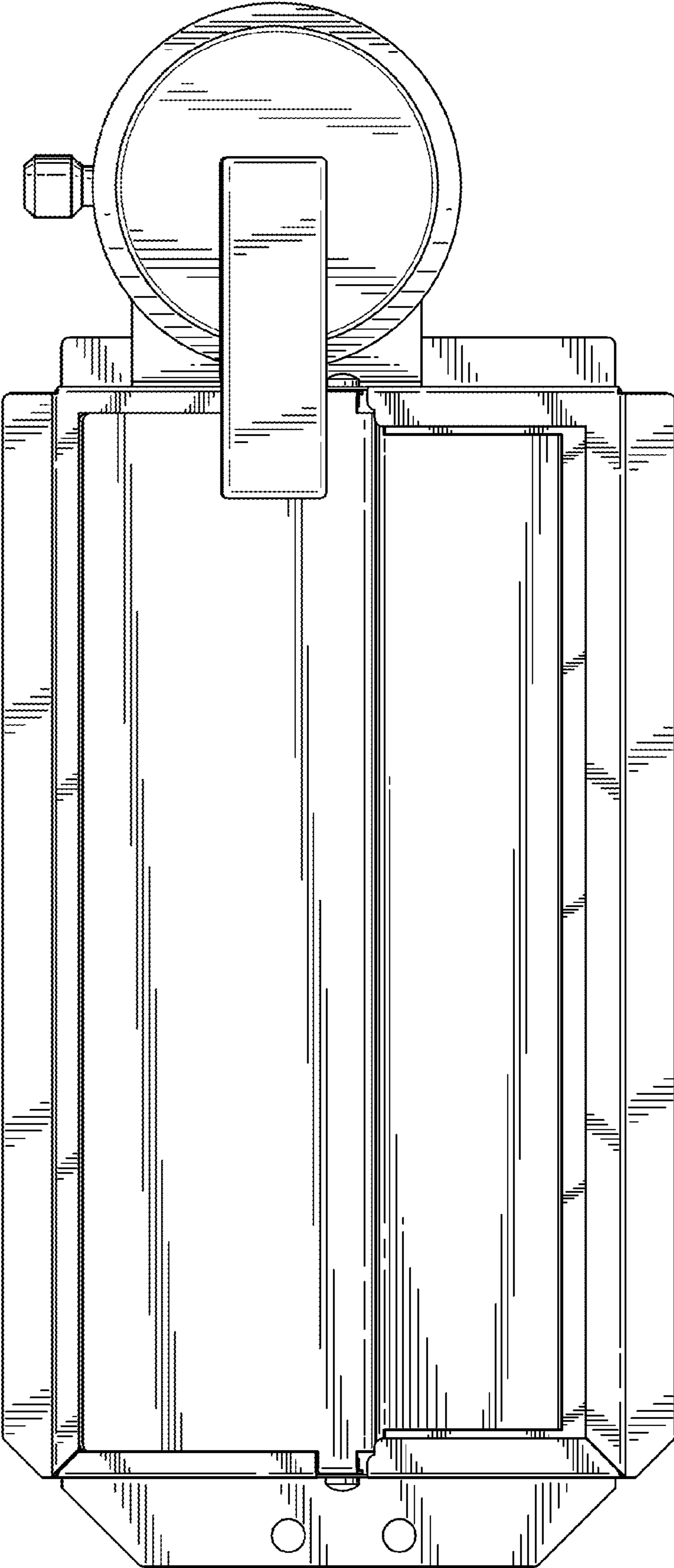


FIG. 7

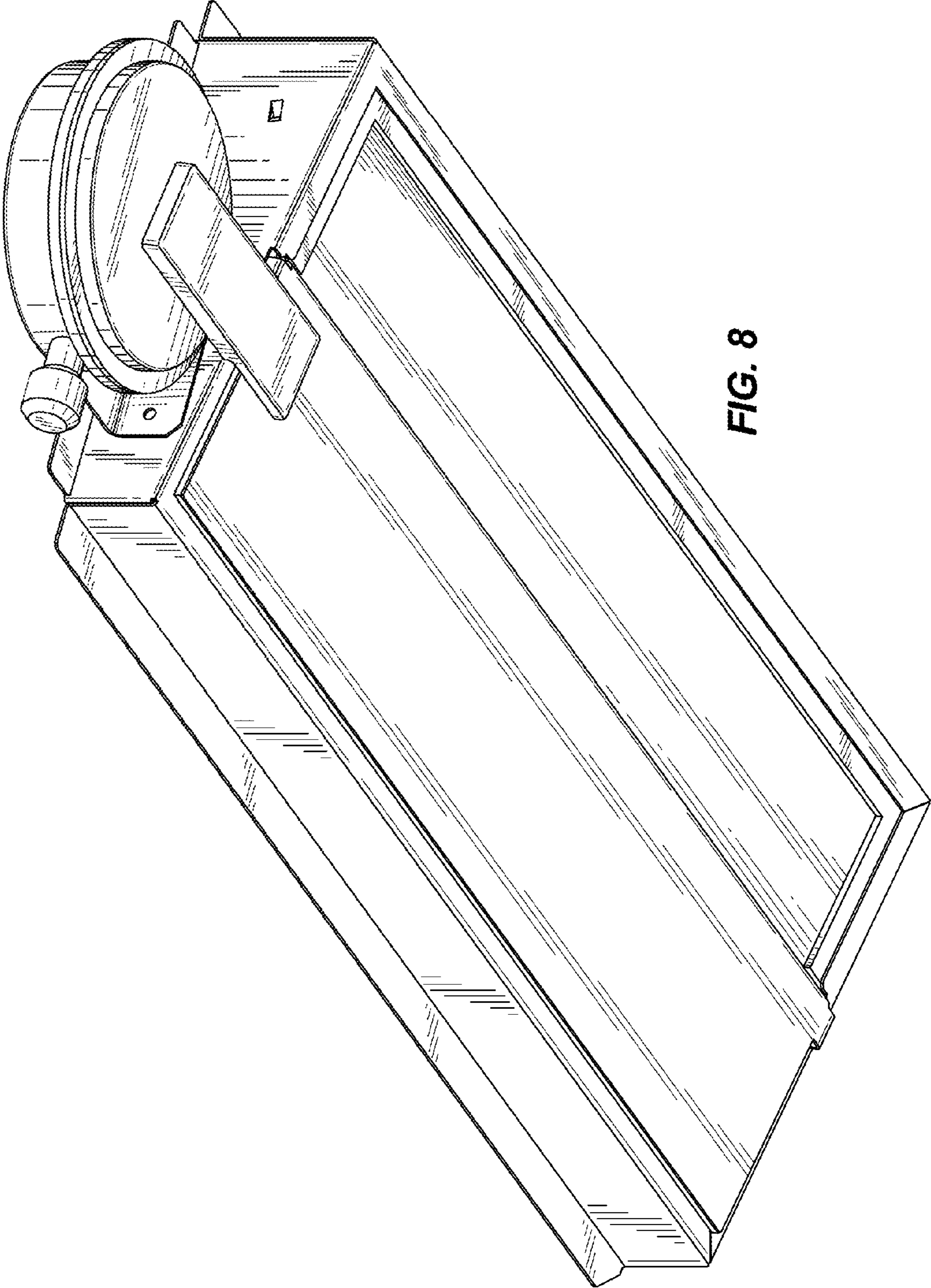


FIG. 8

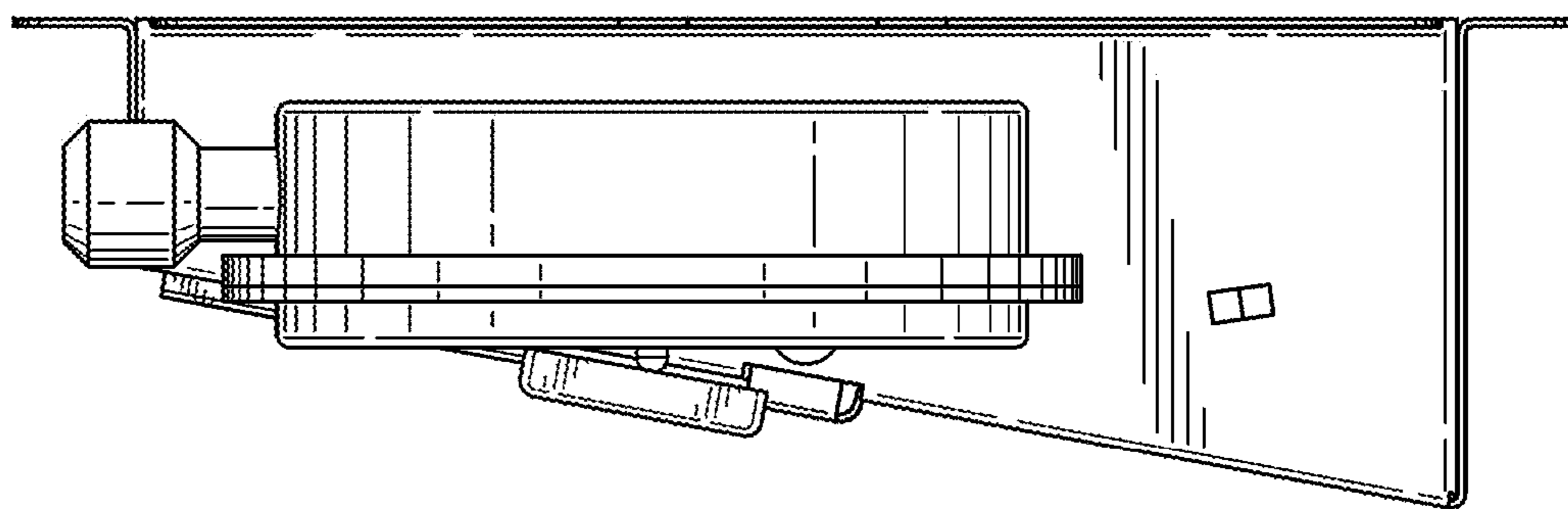


FIG. 9

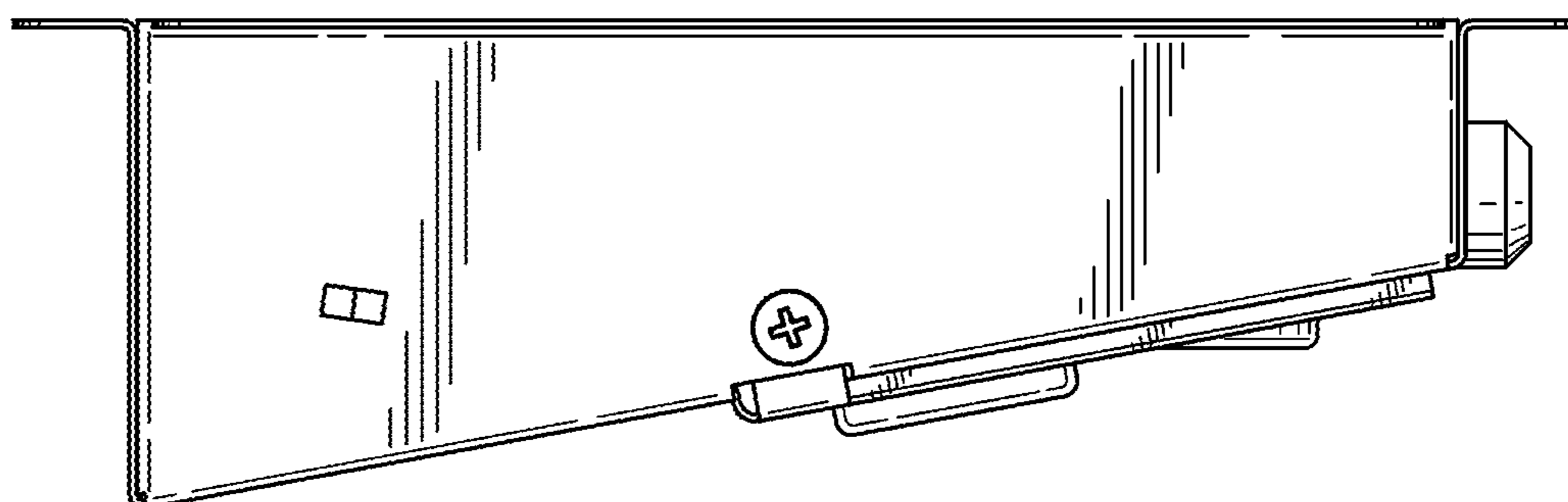


FIG. 10

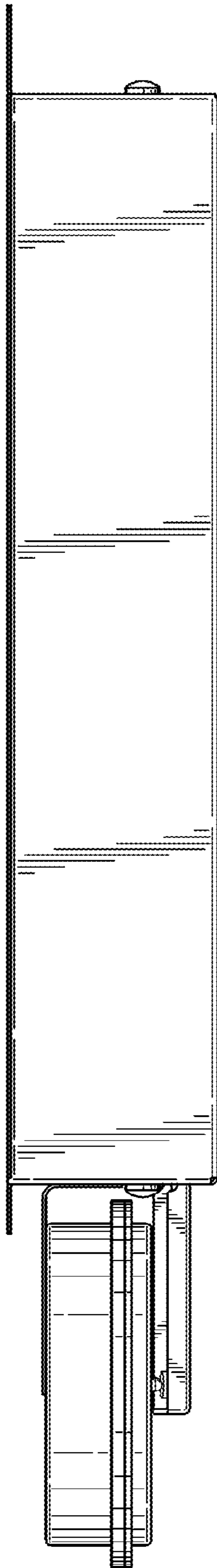


FIG. 11

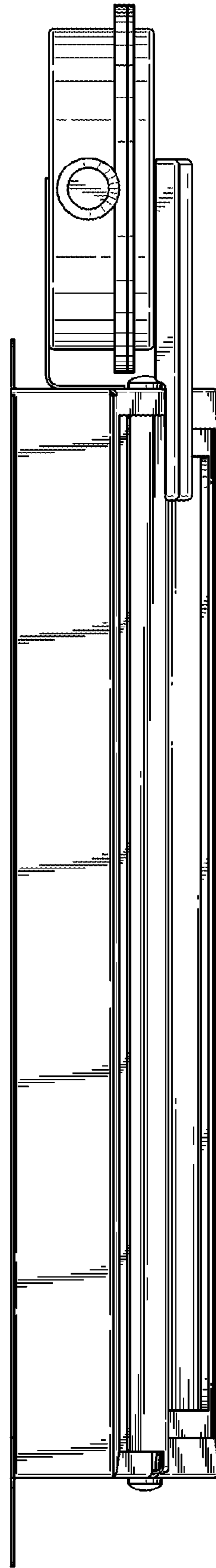


FIG. 12

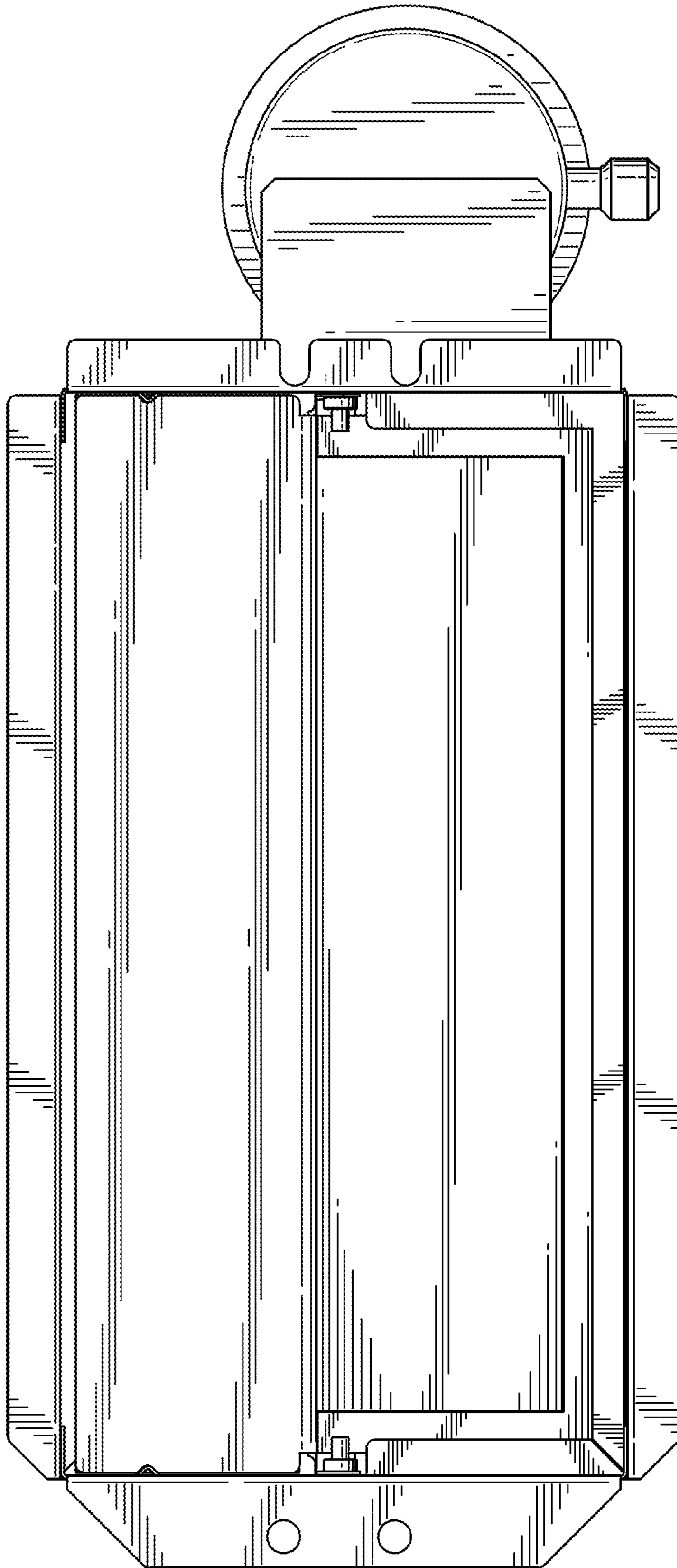


FIG. 13

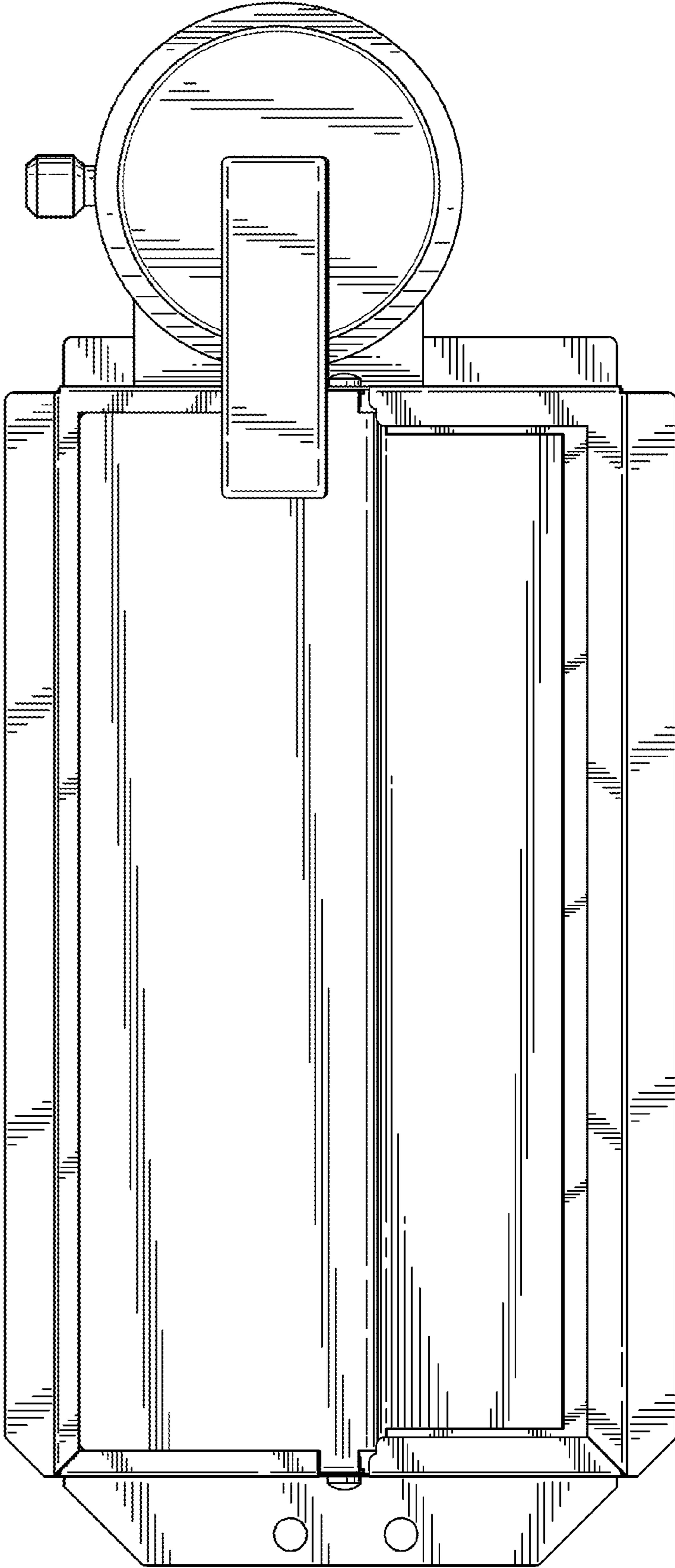


FIG. 14