



US00D771789S

(12) **United States Design Patent** (10) **Patent No.:** **US D771,789 S**  
**Smith et al.** (45) **Date of Patent:** **\*\* Nov. 15, 2016**

(54) **AIR INLET DAMPER** 2,080,726 A 5/1937 Lowinger  
2,229,388 A 1/1941 Postlewait  
(71) Applicant: **A. O. SMITH CORPORATION,** D132,821 S 6/1942 Leslie  
Milwaukee, WI (US) 2,364,791 A \* 12/1944 Horne ..... F24H 1/205  
122/17.2  
(72) Inventors: **Timothy Mitchel Smith,** Blountville, 2,628,551 A 2/1953 Leigh  
TN (US); **Chad Taylor Thompson,** 2,834,622 A \* 5/1958 Reeves ..... F16L 3/26  
Dandridge, TN (US); **George W.** 248/68.1  
**Kraus, II,** Johnson City, TN (US) 3,093,059 A 6/1963 Metz  
3,733,812 A \* 5/1973 Lawrence ..... B66D 1/26  
254/315

(73) Assignee: **A. O. SMITH CORPORATION,**  
Milwaukee, WI (US)

(Continued)

(\*\*) Term: **15 Years**

FOREIGN PATENT DOCUMENTS

(21) Appl. No.: **29/535,533**

GB 2012042 \* 7/1979  
GB 2039358 \* 8/1980  
WO WO 8100609 \* 3/1981

(22) Filed: **Aug. 7, 2015**

OTHER PUBLICATIONS

(51) **LOC (10) Cl.** ..... **23-04**

Louvre Dampers, image post date Mar. 2010, site visited Jun. 11, 2016, (online), <<http://pumps.kerrpump.com/Asset/Damper.pdf>>.\*

(52) **U.S. Cl.**

USPC ..... **D23/393**

(Continued)

(58) **Field of Classification Search**

USPC ..... D13/139.2; D23/323, 328, 333, 335,  
D23/336, 337, 341, 352, 357, 370, 385, 386,  
D23/388, 392, 397, 399, 400, 406, 411, 412,  
D23/413, 499

CPC ..... B65D 7/00; B65D 67/02; F16M 1/00;  
F24F 1/027; F24F 13/32; F25D 23/10;  
E04F 17/08; F16L 3/26; F16L 9/22; F16K  
1/221; F16K 1/443; F16K 31/122; F23L  
11/005; F24H 1/205; F24H 9/0026; F24H  
9/0031; F24H 9/2035; F23N 2025/22;  
F23N 2035/18; F23N 2035/20

See application file for complete search history.

*Primary Examiner* — Kevin Rudzinski  
*Assistant Examiner* — Sean D Lough  
(74) *Attorney, Agent, or Firm* — Michael Best &  
Friedrich LLP

(57) **CLAIM**

We claim the ornamental design for an air inlet damper, as shown and described.

**DESCRIPTION**

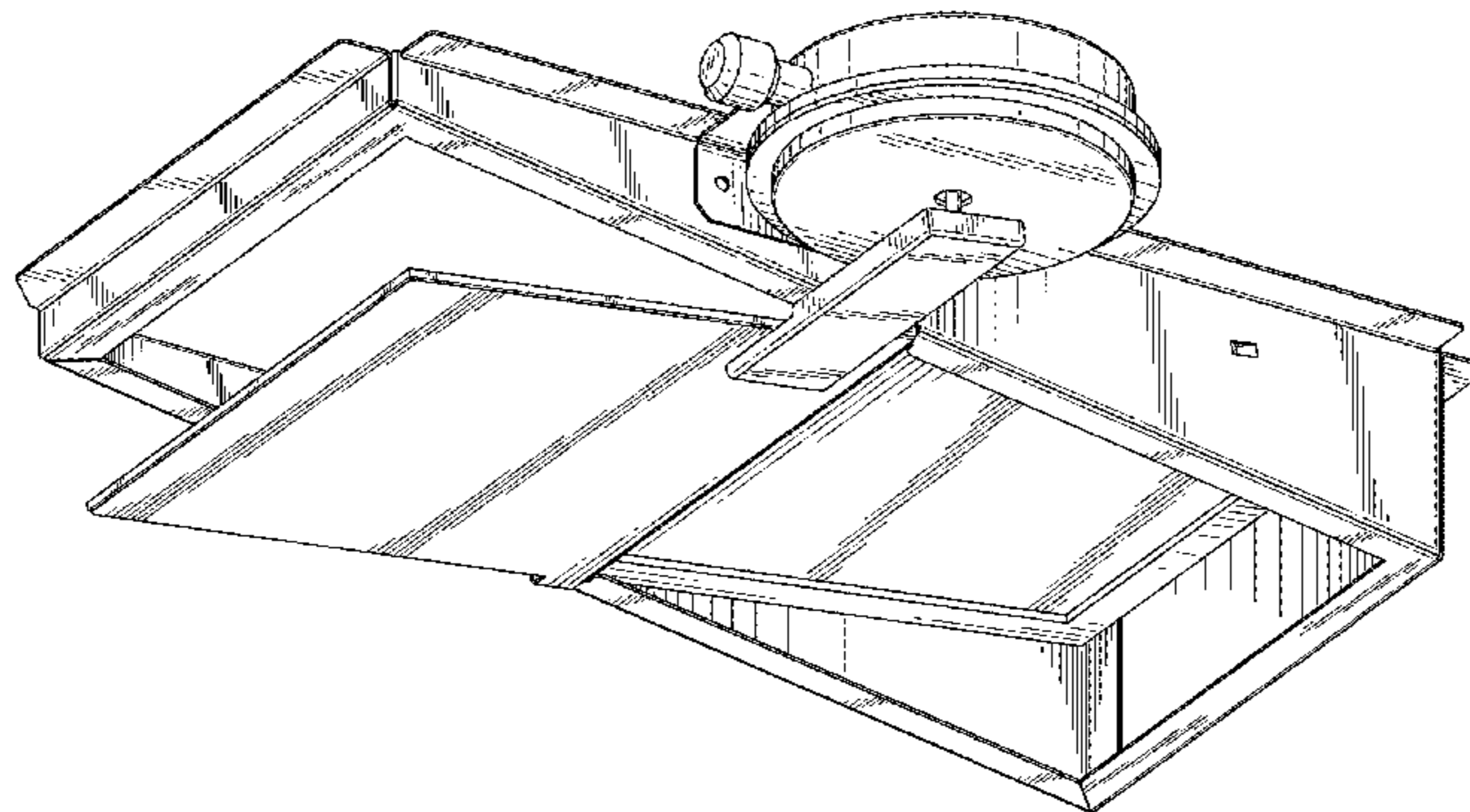
(56) **References Cited**

U.S. PATENT DOCUMENTS

1,173,484 A 2/1916 Clay  
1,198,675 A 9/1916 Smythe  
1,488,694 A 2/1923 Marks  
1,720,789 A 7/1929 Heusser  
1,790,454 A 1/1931 Arrowsmith  
1,991,557 A \* 2/1935 Johnson ..... F24H 1/00  
122/14.1

FIG. 1 is a bottom perspective view of an air inlet damper showing the new design;  
FIG. 2 is a right side view thereof;  
FIG. 3 is a left side view thereof,  
FIG. 4 is a rear view thereof;  
FIG. 5 is a front view thereof;  
FIG. 6 is a top view thereof; and,  
FIG. 7 is a bottom view thereof.

**1 Claim, 5 Drawing Sheets**



(56)

References Cited

U.S. PATENT DOCUMENTS

3,835,986 A	9/1974	Le Beau		D490,506 S *	5/2004	Snyder	D23/386
D245,620 S	8/1977	Berry		D490,553 S	5/2004	Waldmann	
4,046,318 A *	9/1977	Ripley	F23L 11/005	6,854,428 B1 *	2/2005	Hotton	F24H 9/2035
			110/163				122/14.21
4,076,171 A *	2/1978	Swenson	F23N 1/067	D505,195 S *	5/2005	Snyder	D23/393
			126/285 R	7,004,832 B2	2/2006	Thomas	
4,182,483 A *	1/1980	Swenson	F24H 9/2035	D517,006 S *	3/2006	Bessmertny	D13/102
			137/637.1	7,013,841 B1	3/2006	Boros et al.	
4,234,012 A *	11/1980	Schupback	E02F 3/384	7,032,543 B1 *	4/2006	Akkala	F24H 9/1836
			137/355.17				122/14.2
4,261,824 A	4/1981	Cuschera		7,055,465 B1 *	6/2006	Huang	F24H 9/2035
4,266,929 A *	5/1981	Swenson	F23N 1/08				122/4 D
			236/1 G	D528,644 S	9/2006	Schwamkrug	
4,297,818 A	11/1981	Anderson		D534,450 S	1/2007	Müller	
4,368,663 A *	1/1983	Tabacco	F23J 13/08	D535,009 S	1/2007	Sinur et al.	
			126/286	D536,778 S	2/2007	O'Hagin	
4,396,371 A *	8/1983	Lorenz	F23N 1/027	D537,570 S	2/2007	Sanders	
			236/15 BD	D549,316 S	8/2007	O'Hagin	
4,479,733 A	10/1984	Segal		D556,314 S *	11/2007	Daniels, II	D23/393
D277,027 S	1/1985	Waltz et al.		D569,491 S	5/2008	DeForte	
D277,028 S	1/1985	Waltz et al.		D571,450 S *	6/2008	Brown	D23/387
4,509,913 A *	4/1985	Lorenz	F23N 1/027	D576,264 S	9/2008	Grobleben	
			236/15 BD	D587,797 S	3/2009	Blanchard	
4,592,269 A	6/1986	Lamparter		7,508,103 B2	3/2009	Watkins et al.	
D285,546 S	9/1986	Hayslette		7,513,221 B2 *	4/2009	Akkala	F24H 1/205
4,615,263 A	10/1986	Titterud					122/14.22
D296,584 S *	7/1988	Hilton	D23/370	D597,239 S *	7/2009	Hodgson	D26/65
4,790,289 A	12/1988	Barrett		D598,959 S	8/2009	Kiddoo	
D300,655 S *	4/1989	Buehler	D23/403	7,651,390 B1	1/2010	Profeta et al.	
4,817,564 A	4/1989	Akkala et al.		D612,040 S	3/2010	Daniels	
4,819,689 A	4/1989	Owsley et al.		D618,332 S *	6/2010	Kimura	D23/388
4,875,465 A	10/1989	Kramer		D618,780 S *	6/2010	Williams, Sr.	D23/373
4,878,482 A	11/1989	Pfeffer		D624,639 S	9/2010	Dilorenzo	
4,879,801 A	11/1989	Stubbe et al.		D625,800 S *	10/2010	Daniels	D23/373
4,907,569 A	3/1990	Lemense		D628,718 S	12/2010	Grubka et al.	
4,909,385 A	3/1990	Blymiller		D629,093 S	12/2010	Polston	
D321,743 S *	11/1991	Logue	D23/388	D629,882 S	12/2010	Nguyen	
D327,317 S *	6/1992	Courchesne	D23/385	D631,431 S *	1/2011	DeFelice	D13/102
D332,139 S	12/1992	Courchesne		D634,419 S *	3/2011	Lambertson	D23/393
D333,830 S *	3/1993	Lampe	D18/1	D641,462 S *	7/2011	Rafi	D23/365
D335,123 S	4/1993	Smiley		8,001,643 B1 *	8/2011	James	F16L 3/23
5,487,219 A *	1/1996	Ruehl	B21D 39/031				14/69.5
			29/465	D652,498 S *	1/2012	Rafi	D23/365
5,501,634 A	3/1996	Wilder		D653,745 S *	2/2012	Gregg	D23/386
5,503,181 A	4/1996	Kennedy		8,113,823 B2 *	2/2012	Guzorek	F23L 11/005
5,531,214 A *	7/1996	Cheek	F23N 5/24				126/285 R
			122/14.1	D656,601 S *	3/2012	Roderique	D23/386
5,591,080 A	1/1997	Ward		D659,460 S	5/2012	Boone	
D378,578 S	3/1997	Eberhardt		8,196,552 B2 *	6/2012	Whitford	F23L 11/005
D381,412 S	7/1997	Rimback					122/135.1
5,662,522 A	9/1997	Waltz		8,205,401 B2	6/2012	Ward	
5,672,101 A	9/1997	Thomas		D662,870 S	7/2012	Russ	
D393,707 S	4/1998	Kelly		D665,210 S	8/2012	Hughes	
5,735,086 A	4/1998	Fordahl		D666,285 S	8/2012	Schrad et al.	
5,756,933 A	5/1998	Pitchford et al.		D666,707 S	9/2012	Eikhoff et al.	
D394,901 S	6/1998	Governale et al.		RE43,717 E	10/2012	DeForte et al.	
5,792,230 A *	8/1998	Moore	B01D 46/0004	D672,450 S *	12/2012	Milks	D23/387
			454/290	D680,253 S *	4/2013	Herberholt	D26/60
5,947,815 A	9/1999	Danforth		D688,289 S	8/2013	Hodgson	
6,041,771 A *	3/2000	Hayes	F23B 5/04	D690,065 S *	9/2013	Schoenster	D32/25
			110/214	D690,457 S	9/2013	Lu	
D425,612 S *	5/2000	Andersen	D23/263	D693,493 S	11/2013	Kim	
6,118,108 A *	9/2000	Ufford	B29C 65/18	8,607,719 B1	12/2013	Kuzni	
			156/294	D698,962 S	2/2014	Waldmann	
6,155,008 A	12/2000	McKee		D701,095 S *	3/2014	Arvan	D7/698
D436,163 S *	1/2001	Peterson	D23/393	D702,817 S	4/2014	Ryu	
D442,273 S *	5/2001	Pestell	D23/393	D703,305 S	4/2014	Stollenwerk O'Hagin	
6,293,862 B1	9/2001	Jafine et al.		D703,307 S *	4/2014	Little	D23/393
D451,214 S	11/2001	Gollob et al.		D704,815 S	5/2014	Butler et al.	
6,481,361 B1	11/2002	Schindler et al.		D704,816 S	5/2014	Butler et al.	
6,514,135 B1	2/2003	Kelly		D704,817 S *	5/2014	Butler	D23/373
6,523,575 B1 *	2/2003	Mrsny	B21C 37/296	D705,420 S *	5/2014	Eichelberg	D23/387
			138/109	D708,779 S	7/2014	Cha et al.	
D478,977 S	8/2003	Snyder		8,794,228 B2 *	8/2014	Richter	F23J 13/04
D482,813 S	11/2003	Waldmann					126/300
				D714,928 S	10/2014	Urano	
				D720,437 S *	12/2014	Togawa	D23/261
				D724,715 S *	3/2015	Isshiki	D23/351
				D727,486 S	4/2015	Sebert et al.	



(56)

References Cited

U.S. PATENT DOCUMENTS

D727,489 S \* 4/2015 Rohskopf ..... D23/388  
 D731,047 S \* 6/2015 Leonard  
 D732,708 S \* 6/2015 Stauffer ..... D25/133  
 D734,861 S \* 7/2015 Johnson ..... D24/201  
 D736,365 S \* 8/2015 Breneman ..... D23/372  
 D737,421 S \* 8/2015 Jannello ..... D23/386  
 D738,027 S 9/2015 Wang et al.  
 D743,520 S 11/2015 Sinur et al.  
 D744,632 S \* 12/2015 Ehlert ..... D23/393  
 D748,239 S \* 1/2016 Daniels ..... D23/373  
 D749,204 S \* 2/2016 Breneman ..... D23/372  
 D749,342 S \* 2/2016 Escandon ..... D6/682  
 D750,314 S 2/2016 Hobson et al.  
 D750,564 S \* 3/2016 Weagle ..... D13/137.4  
 D752,770 S \* 3/2016 Kuhn ..... D24/227  
 D754,304 S 4/2016 Morris et al.  
 D754,835 S \* 4/2016 Uehara ..... D23/371  
 D755,349 S \* 5/2016 Murphey ..... D23/237  
 D755,944 S \* 5/2016 Daniels ..... D23/373  
 D757,237 S \* 5/2016 Gonzalez ..... D23/328  
 D758,107 S 6/2016 Hamilton  
 D758,680 S \* 6/2016 Hoffman ..... D32/8  
 2001/0049261 A1 12/2001 McKee et al.  
 2002/0171059 A1 \* 11/2002 Sakurai ..... F02D 11/10  
 251/305  
 2003/0054754 A1 3/2003 McKee  
 2003/0079905 A1 5/2003 Higgs  
 2003/0116213 A1 \* 6/2003 DiMarco ..... F16L 9/003  
 138/114  
 2003/0153262 A1 8/2003 Mantyla et al.  
 2003/0161742 A1 \* 8/2003 Lin ..... F04D 29/5893  
 417/410.1  
 2004/0177871 A1 9/2004 Harbaugh  
 2004/0195923 A1 10/2004 Staigl, III et al.  
 2004/0238651 A1 \* 12/2004 Juntunen ..... F23N 1/082  
 236/20 R  
 2005/0184268 A1 \* 8/2005 Narayanaswamy ... B23K 31/02  
 251/308  
 2005/0233691 A1 10/2005 Horton  
 2005/0284988 A1 \* 12/2005 Lawver ..... F16L 3/24  
 248/65  
 2006/0005809 A1 \* 1/2006 Kado ..... F02D 9/1035  
 123/399  
 2006/0042239 A1 \* 3/2006 Gerards ..... F16K 1/221  
 60/324  
 2006/0065211 A1 \* 3/2006 Hasbargen ..... F23L 17/005  
 122/17.1  
 2006/0157092 A1 \* 7/2006 Kramer ..... A47L 15/4285  
 134/105  
 2006/0249141 A1 11/2006 Sinur et al.  
 2007/0045473 A1 \* 3/2007 Clegg ..... B64D 25/14  
 244/137.2  
 2007/0101689 A1 \* 5/2007 Gaskins ..... F23L 11/005  
 55/385.4  
 2007/0241629 A1 \* 10/2007 Ionel ..... H02K 1/141  
 310/214  
 2008/0029243 A1 2/2008 O'Donnell et al.

2008/0134843 A1 \* 6/2008 Smith ..... B25B 13/48  
 81/121.1  
 2008/0210783 A1 \* 9/2008 Bissonnette ..... F23D 14/32  
 239/429  
 2008/0272667 A1 11/2008 Ionel et al.  
 2008/0302352 A1 12/2008 Pearce et al.  
 2008/0308689 A1 12/2008 Syler  
 2009/0084328 A1 4/2009 Lyons et al.  
 2009/0191493 A1 \* 7/2009 Guzorek ..... F23L 11/005  
 431/12  
 2010/0012048 A1 1/2010 Whitford et al.  
 2010/0015559 A1 1/2010 Whitford et al.  
 2010/0118463 A1 \* 5/2010 Smith ..... H01C 7/12  
 361/117  
 2010/0126431 A1 \* 5/2010 Kanda ..... F23D 14/04  
 122/14.21  
 2010/0184366 A1 7/2010 Hassenstab  
 2010/0300377 A1 12/2010 Buescher et al.  
 2011/0168284 A1 \* 7/2011 Whitford ..... F16K 1/221  
 137/613  
 2011/0294412 A1 12/2011 Vagedes  
 2012/0212883 A1 8/2012 Hargreaves et al.  
 2012/0255267 A1 10/2012 Ehrensberger et al.  
 2013/0078903 A1 3/2013 Mantyla et al.  
 2013/0115871 A1 5/2013 Bourque et al.  
 2014/0144395 A1 5/2014 Blessing et al.  
 2015/0053151 A1 2/2015 Graff  
 2015/0219363 A1 8/2015 Bridegum  
 2015/0220091 A1 8/2015 Koopman

OTHER PUBLICATIONS

SPM-F series Air regulation damper, image post date Jan. 14, 2014, site visited Jun. 11, 2016, (online), <<https://www.tineye.com/search/1d120de9ed460d7685f82916e431107f690f1824/>>.\*  
 Dampers—Air Measuring Products—Access Doors, image post date Apr. 18, 2005-Nov. 18, 2014, site visited Jun. 11, 2016, (online), <<http://www.deicontrols.com/dampers/>>.\*  
 Control Damper—Model 612, image post date 1955, site visited Jun. 11, 2016, (online), <<http://www.safeair-dowco.com/product/612.pdf>>.\*  
 Balancing Damper Damper—Model BDD, image post date 1955, site visited Jun. 11, 2016, (online), <<http://www.safeair-dowco.com/product/BDD.pdf>>.\*  
 Motorized damper, image post date May 22, 2012, site visited Jun. 11, 2016, (online), <<https://www.tineye.com/search/585a79138b8552a0de2f919391f5c3daa879a9eb/>>.\*  
 Residential Product Catalog, image post date May 2011, site visited Jun. 11, 2016, (online), <<http://www.cleanwaterpa.com/sites/default/files/u1/pdf/AO%20Smith%20water%20heater%20catalog.pdf>>.\*  
 Direct Vent Forced Air Gas Furnaces M2RC and M2RL series 90+—available 2004.\*  
 Yamaha R6 OEM ECU CDI Engine Control Unit Module Computer YZF-R6, image post date 2008, site visited Jun. 22, 2016, (online), <[http://www.ebay.co.uk/itm/272262109754?clk\\_rvr\\_id=1050641016140&rmvSB=true](http://www.ebay.co.uk/itm/272262109754?clk_rvr_id=1050641016140&rmvSB=true)>.

\* cited by examiner

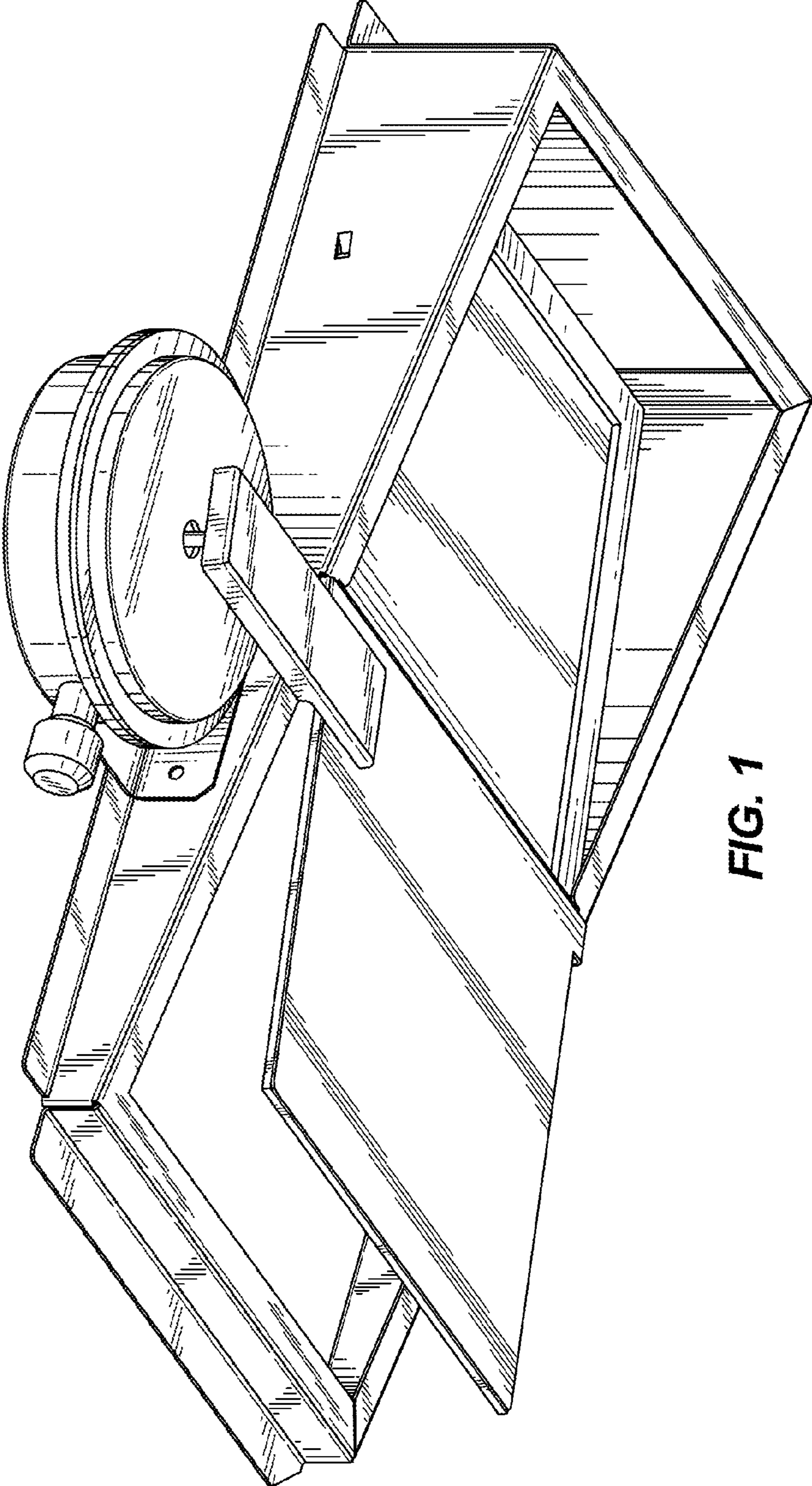


FIG. 1

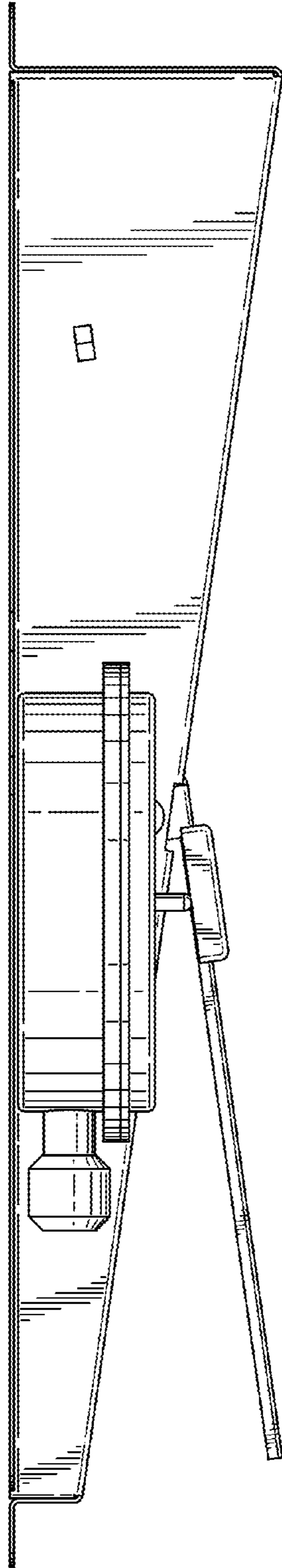


FIG. 2

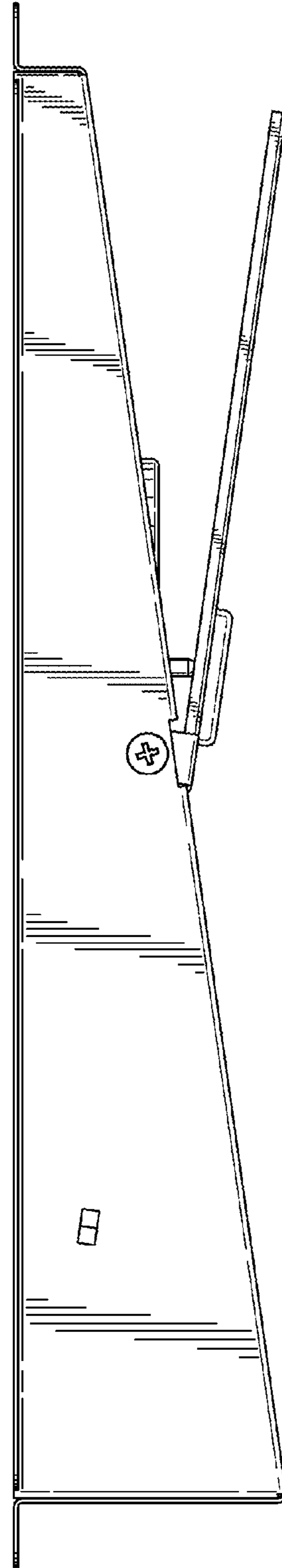


FIG. 3



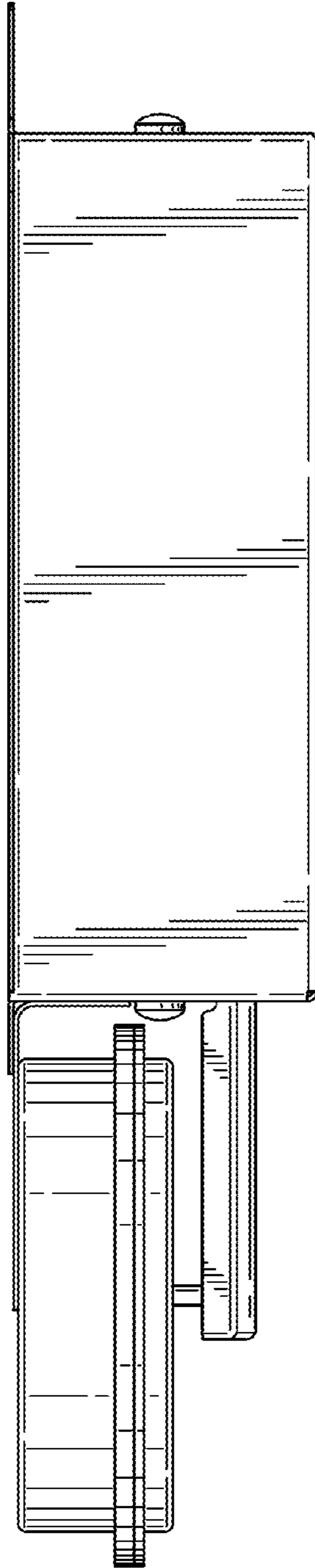


FIG. 4

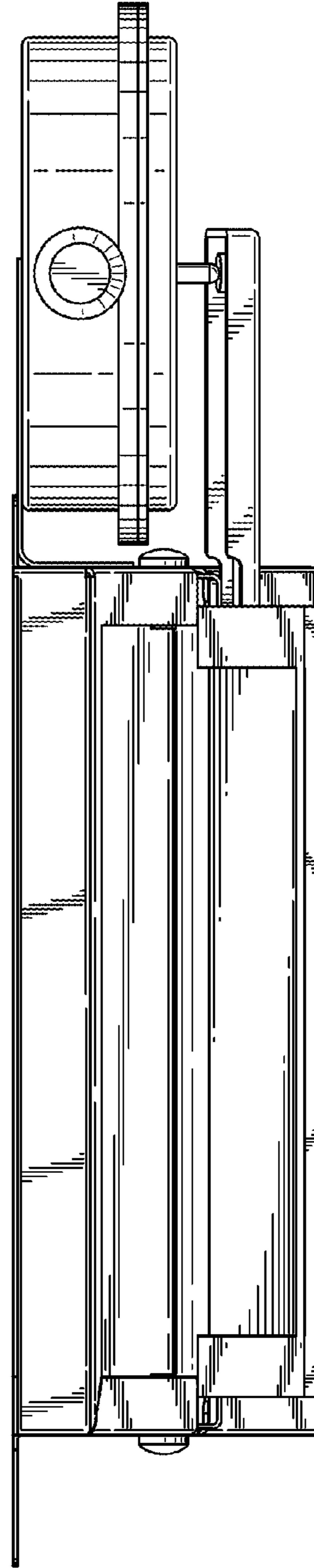


FIG. 5

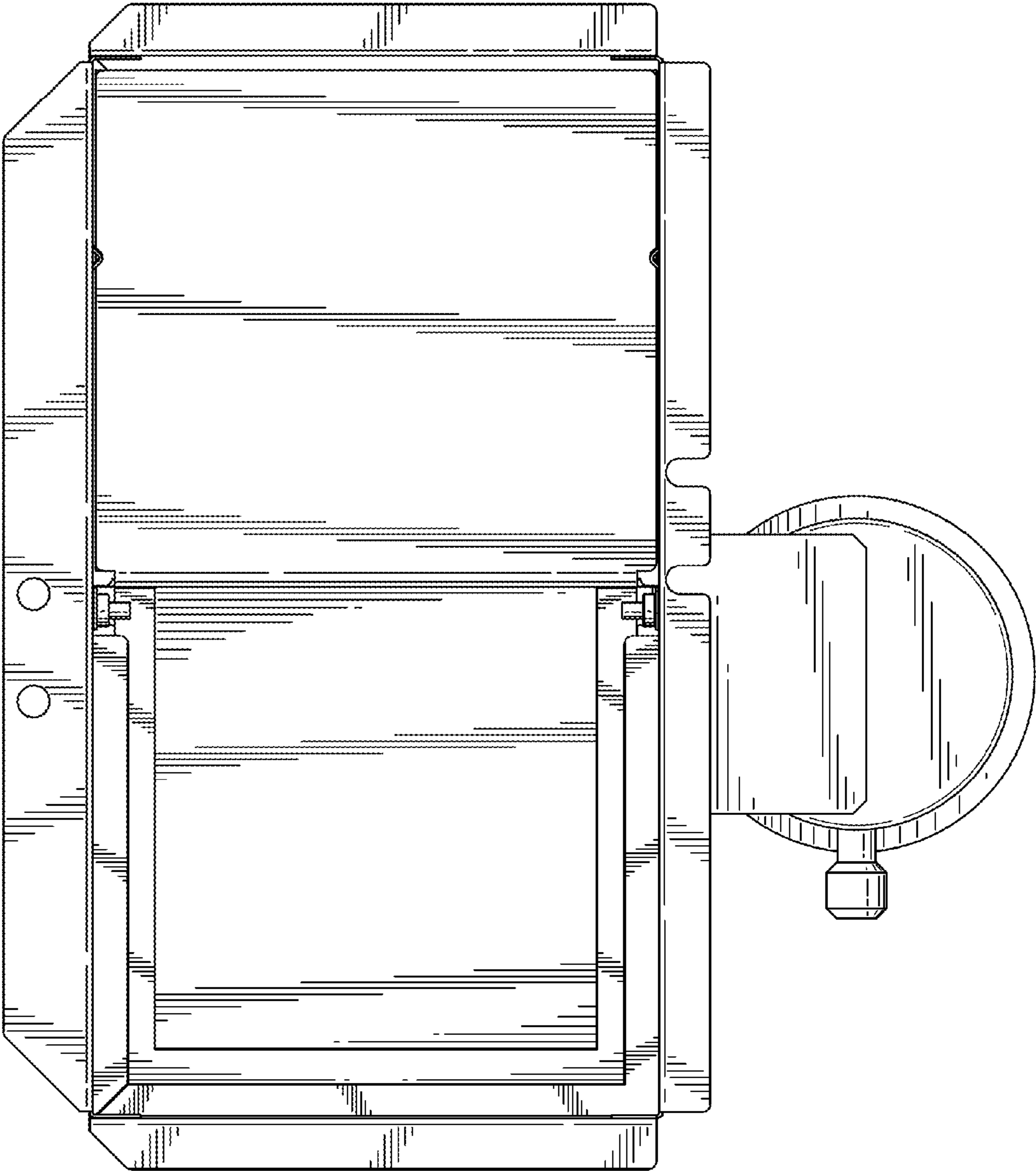
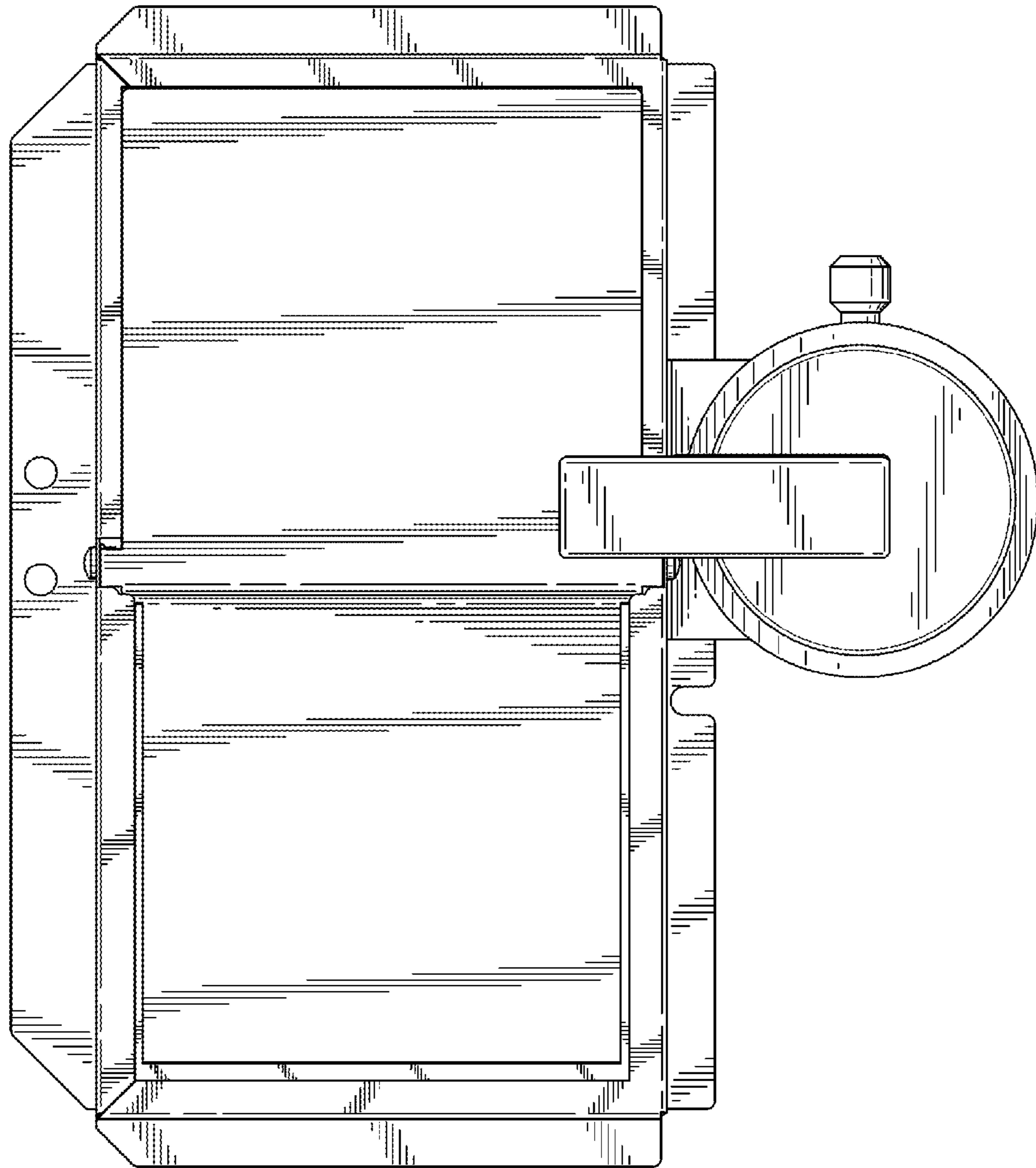


FIG. 6



**FIG. 7**